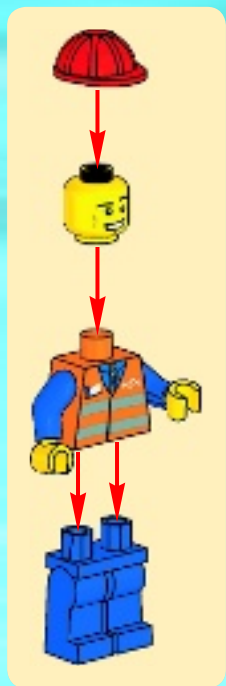




CITY

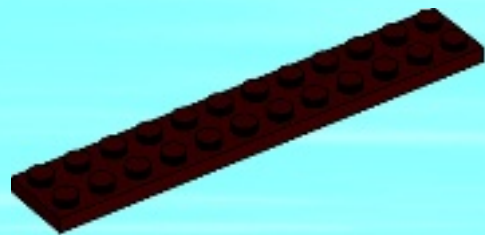
3677



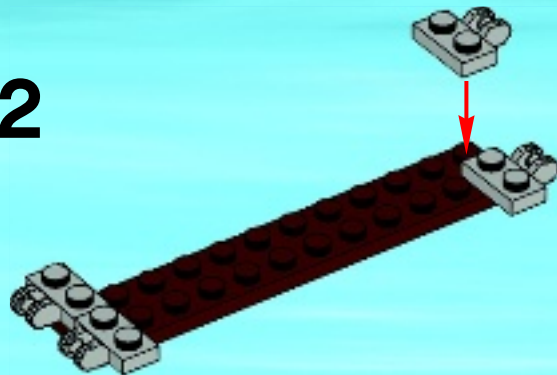




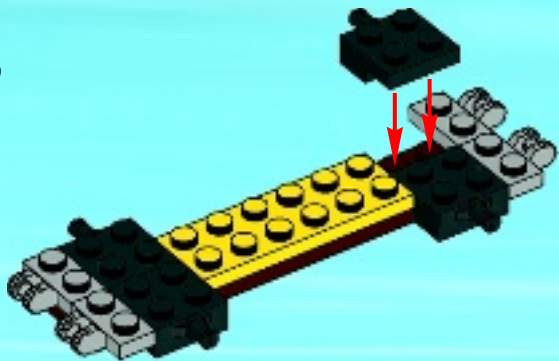
1



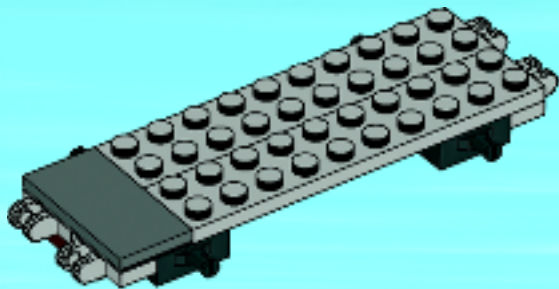
2



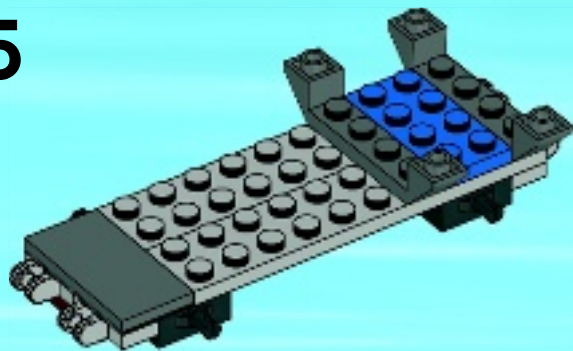
3



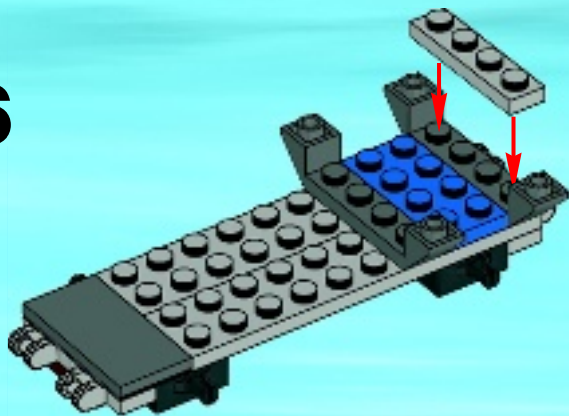
4



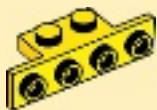
5



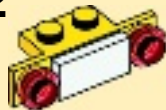
6



1



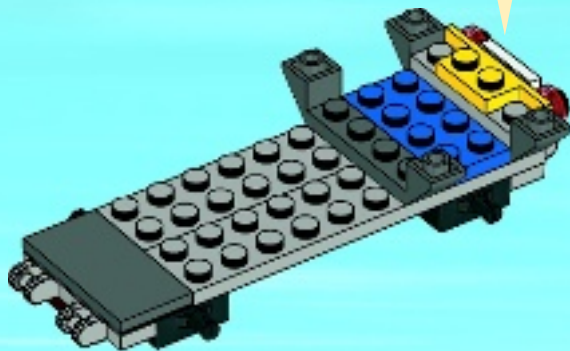
2



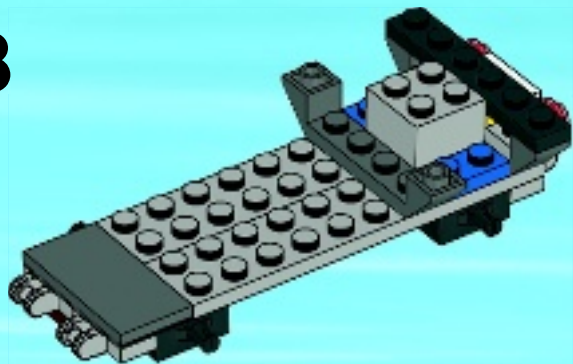
3



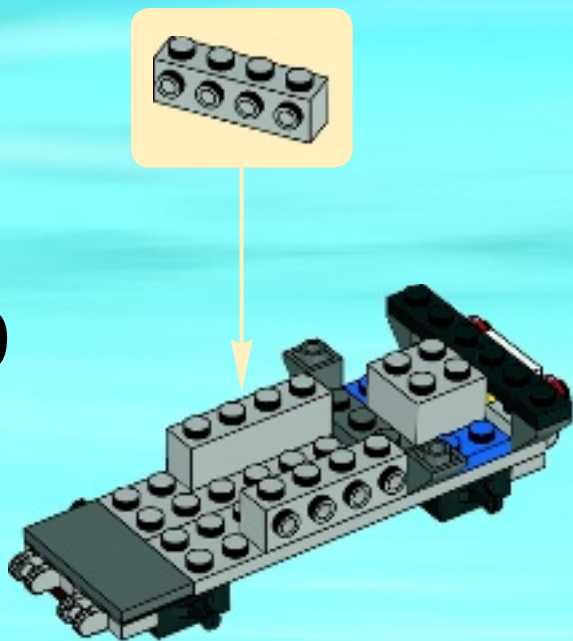
7



8

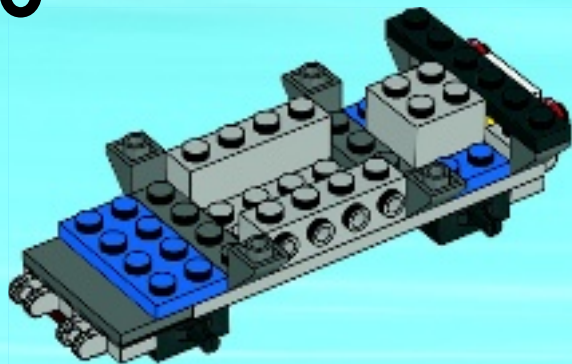


9

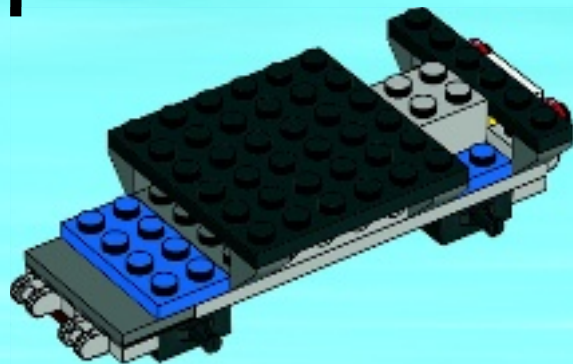




10

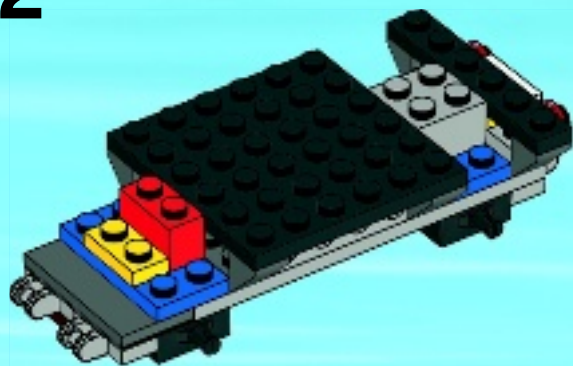


11

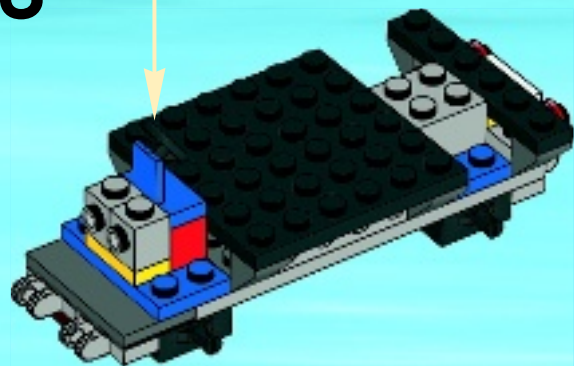




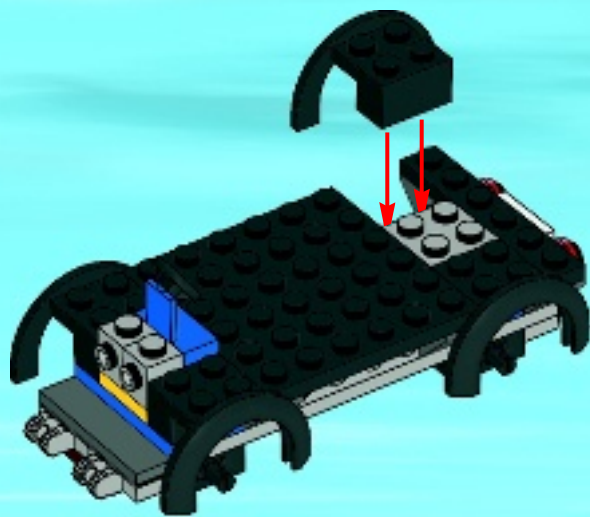
12



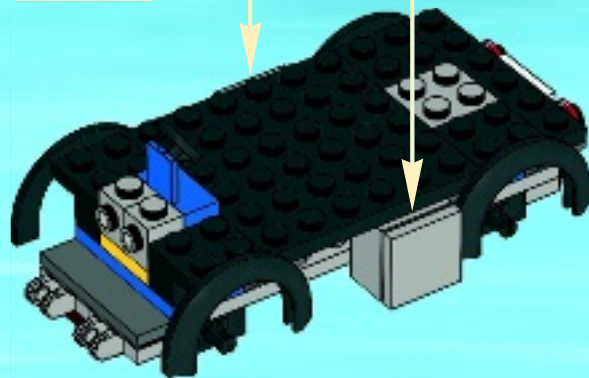
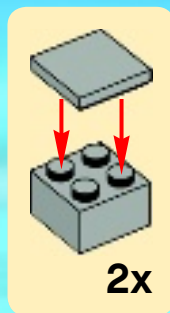
13



14



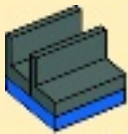
15



1

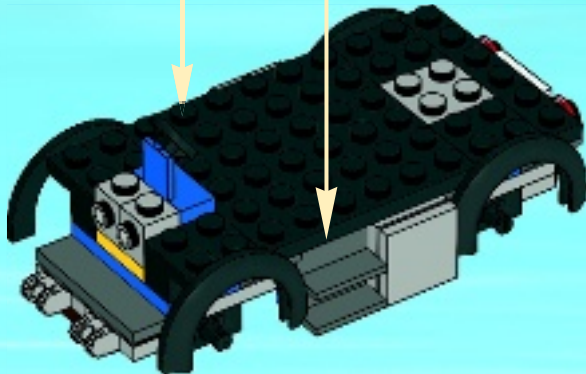


2

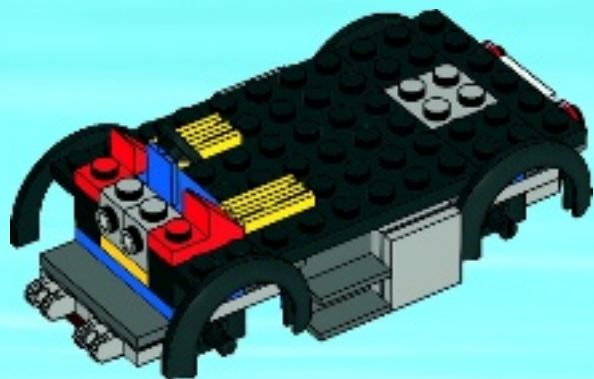


2x

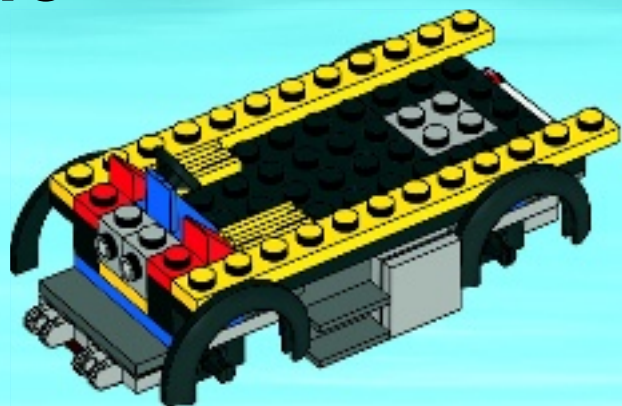
16



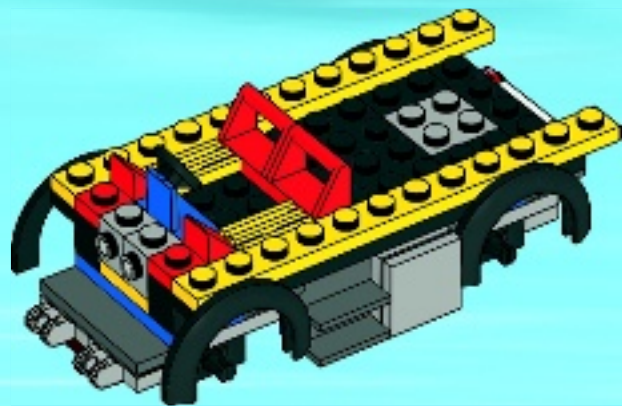
17



18

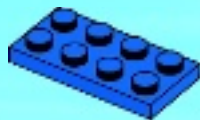


19

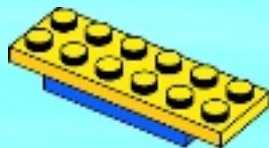




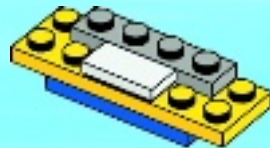
1



2

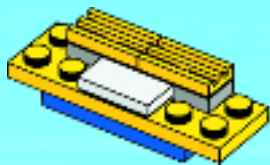


3

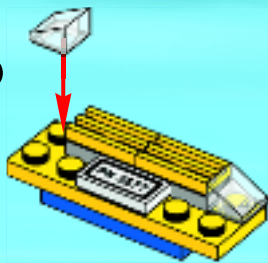




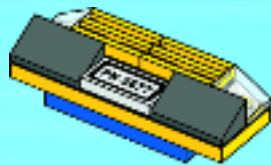
4



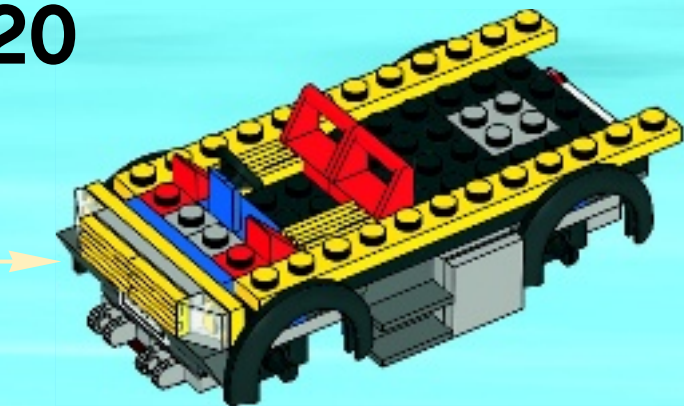
5



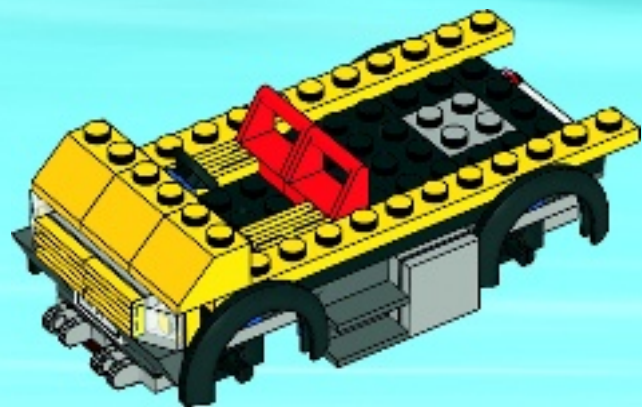
6



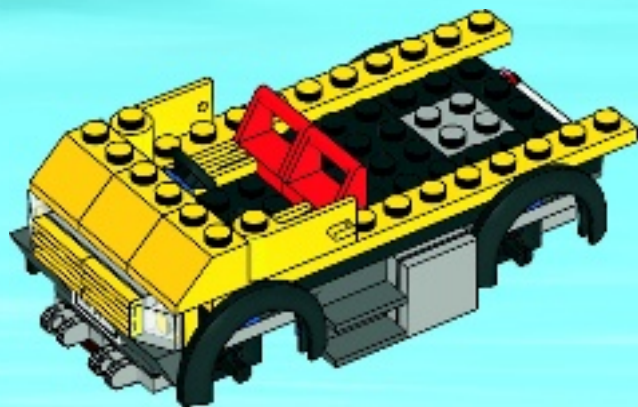
20



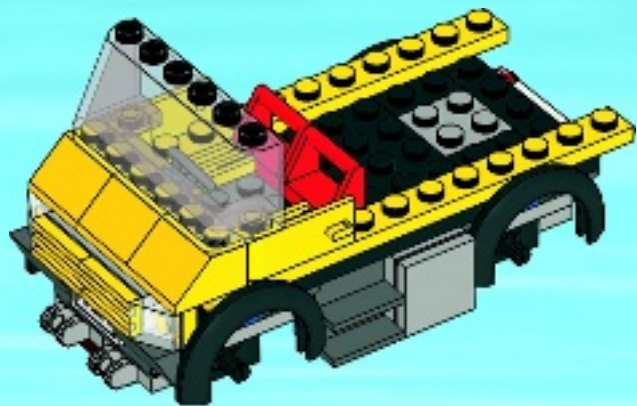
21



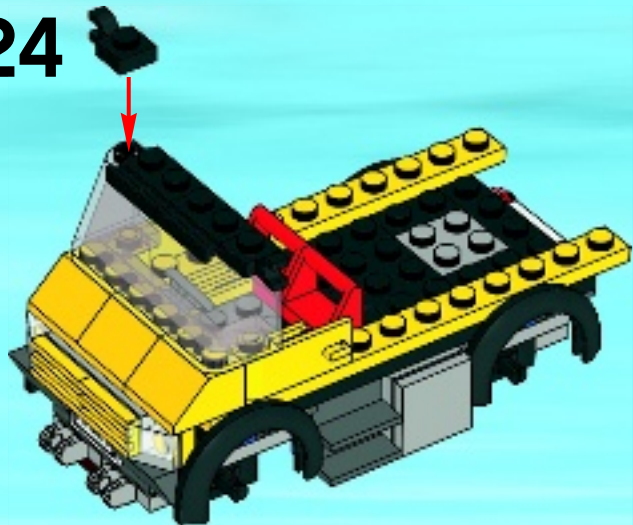
22



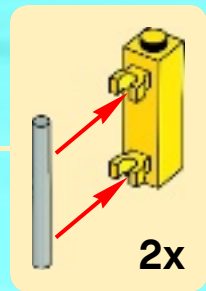
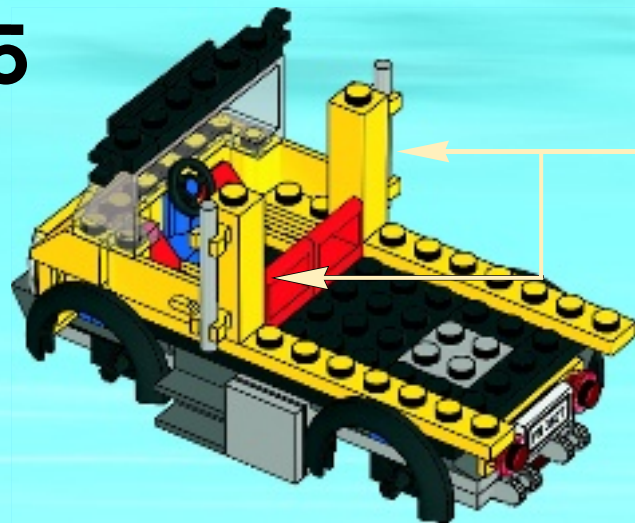
23



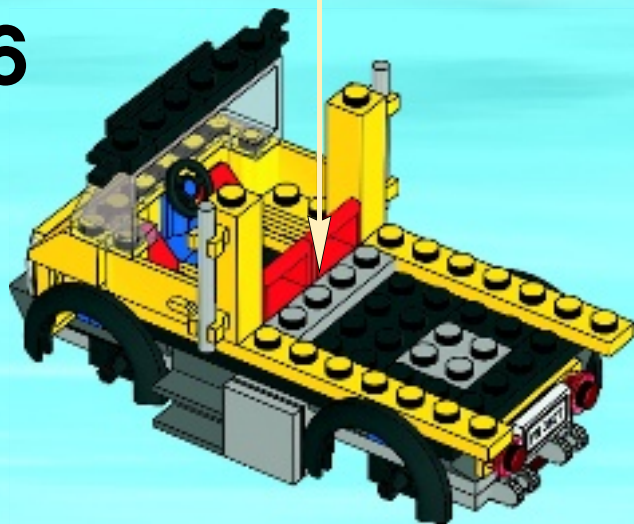
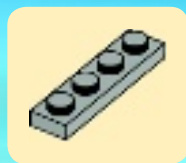
24



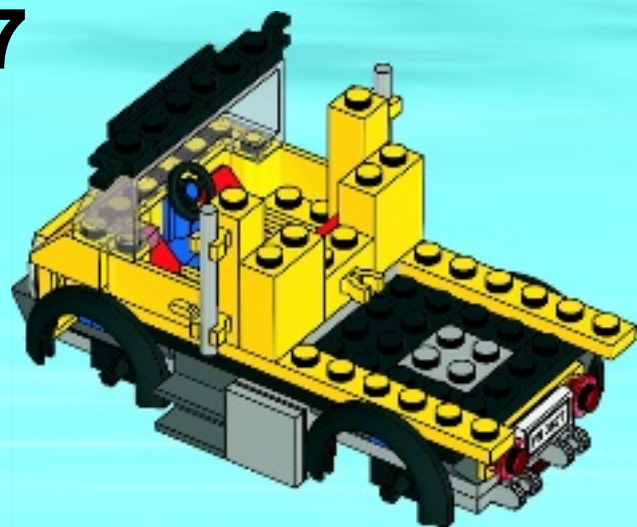
25



26

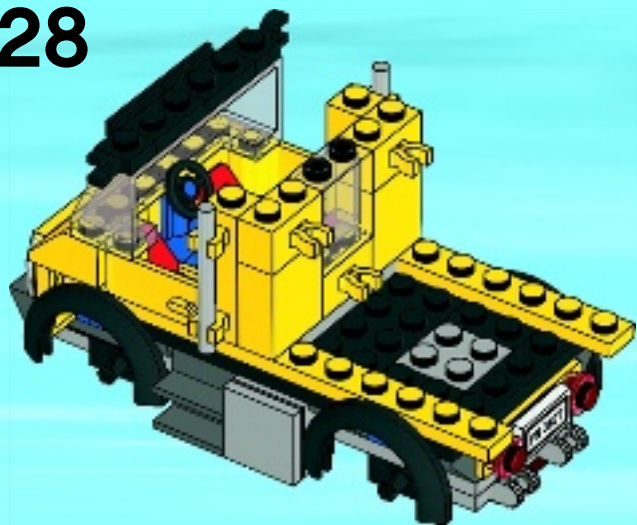


27

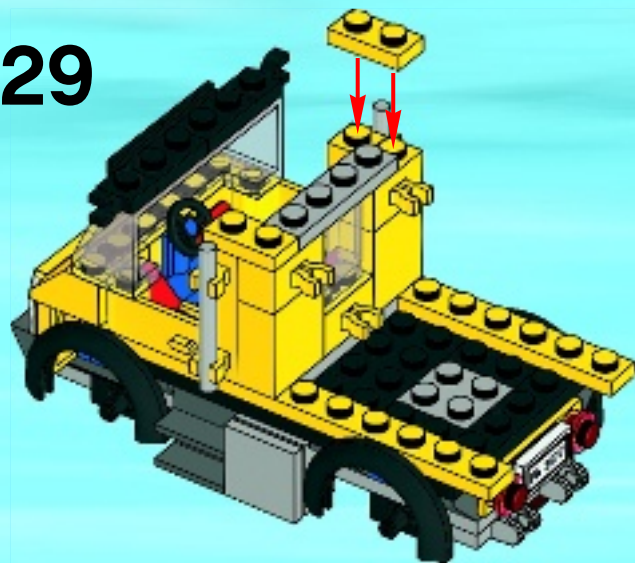




28



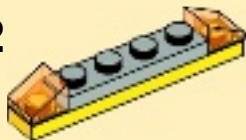
29



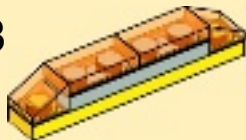
1



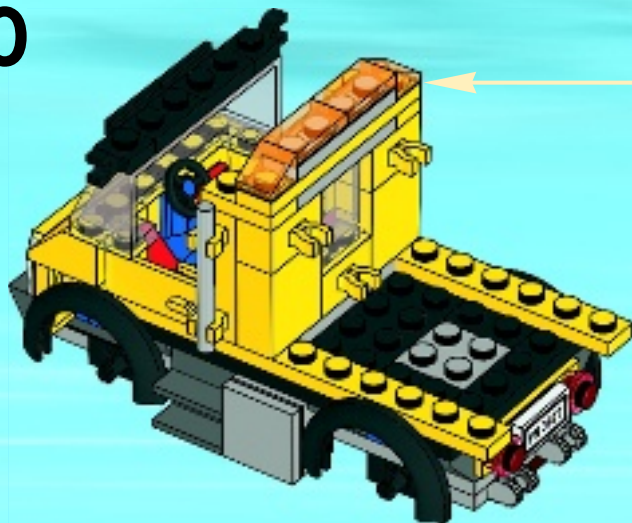
2



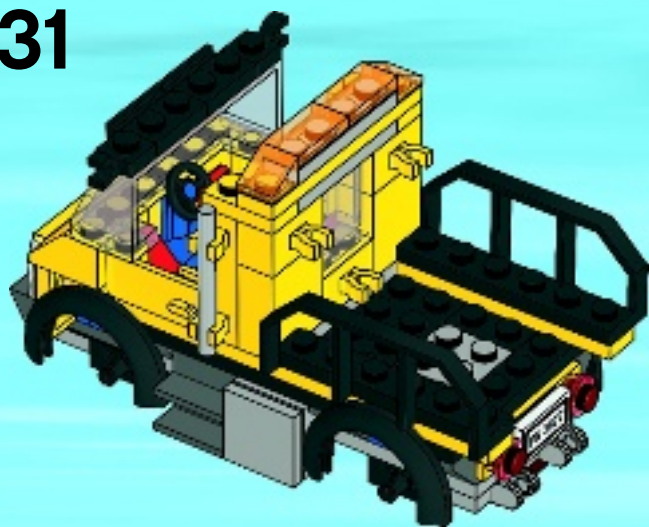
3



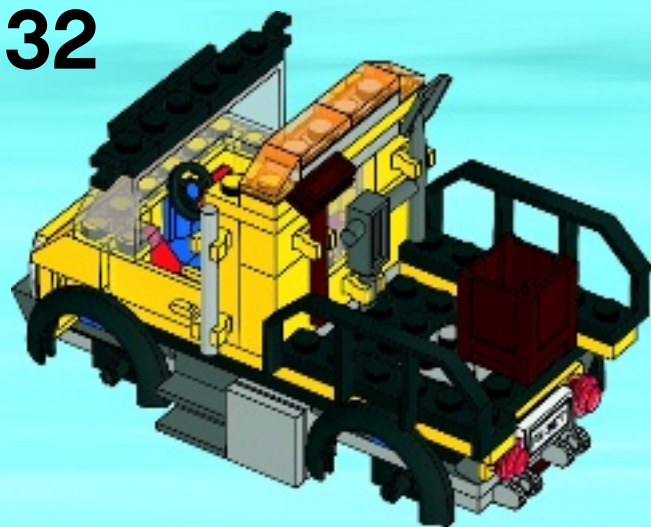
30



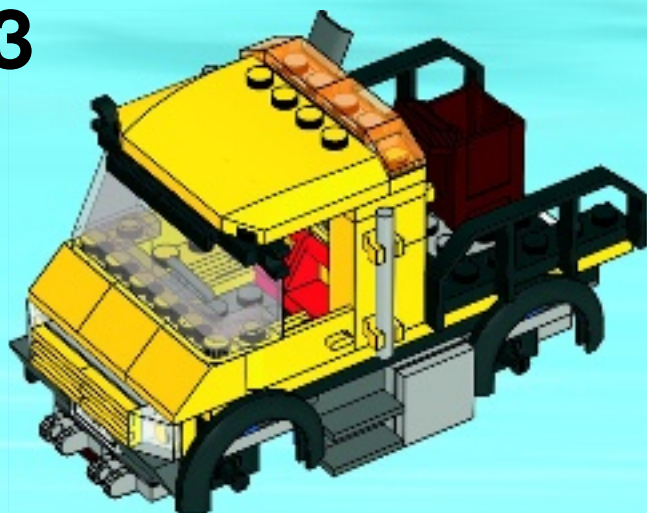
31



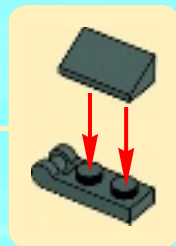
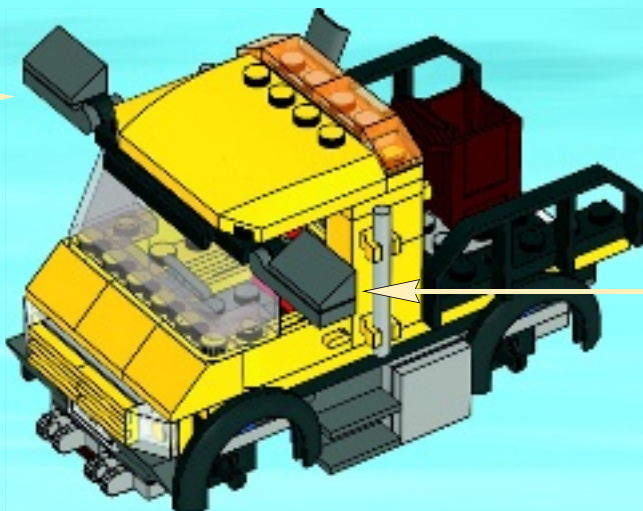
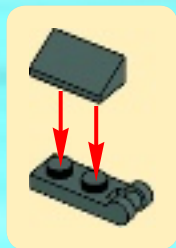
32



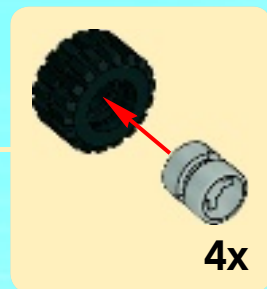
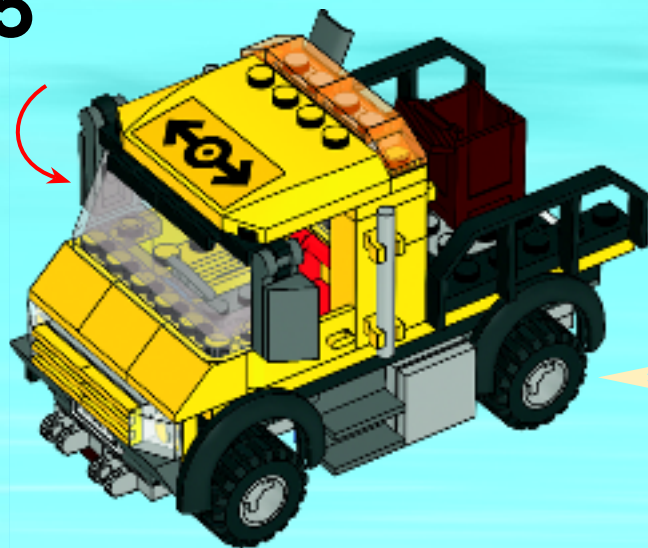
33



34



35





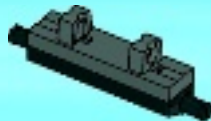


2x

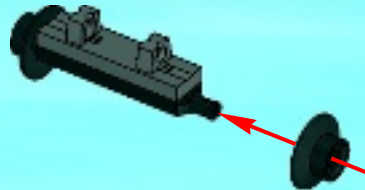
1



2



3



2x

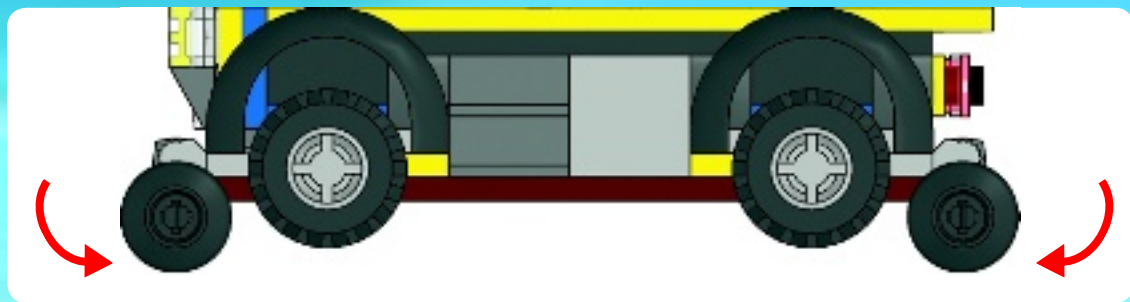


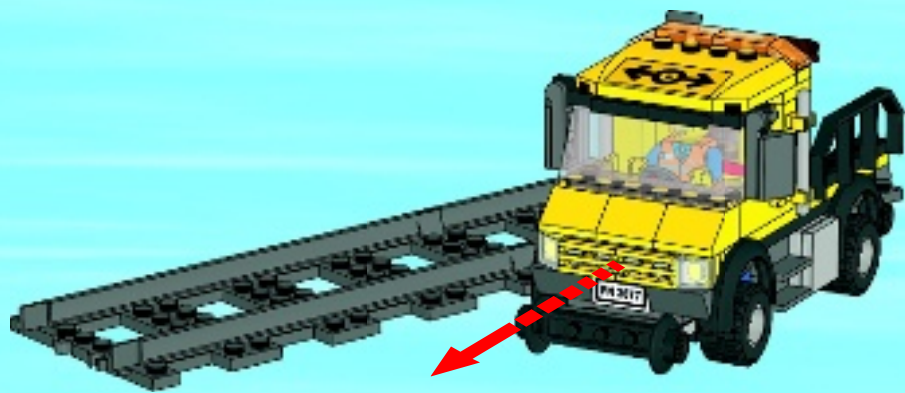
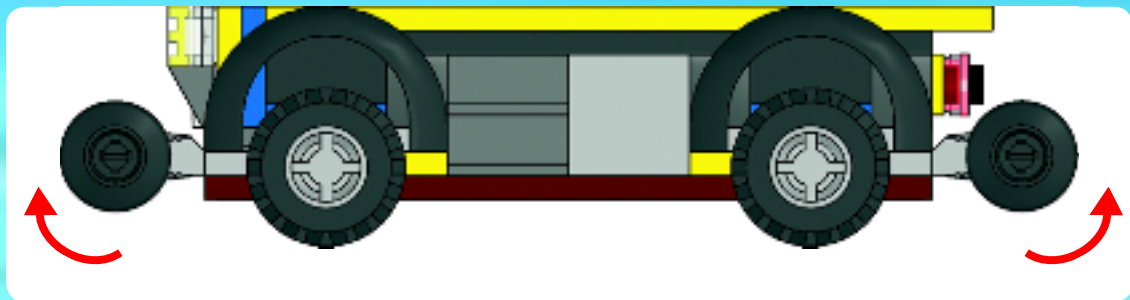
36



37











# CITY



7279



7285



7286



7287



7288



7498

**LEGO**

**CITY**



3365



3366



3367



3368





# CITY



LEGO and the LEGO logo are trademarks of the / sont des marques de commerce de / son marcas registradas de LEGO Group. ©2011 The LEGO Group.

4646697 / 4646698



4641



4642



4643



4644



4645