



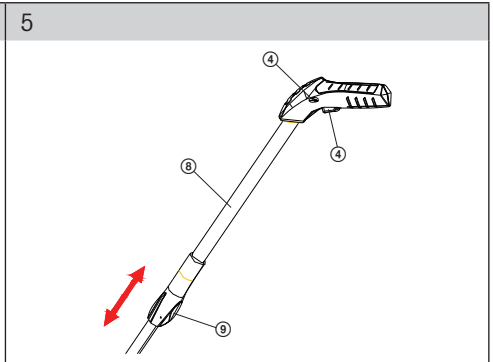
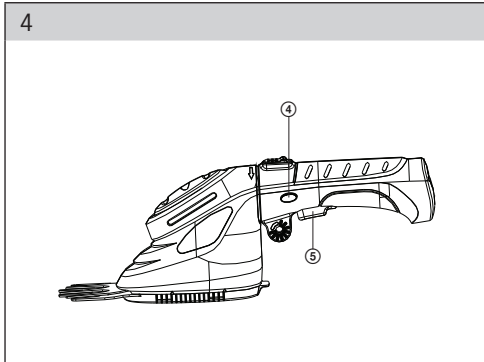
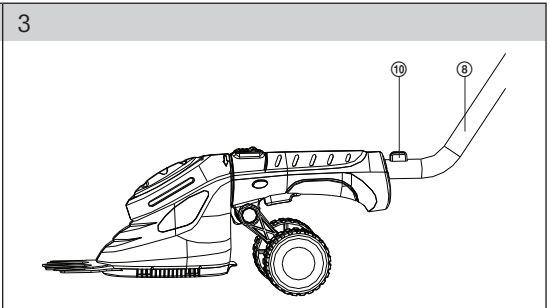
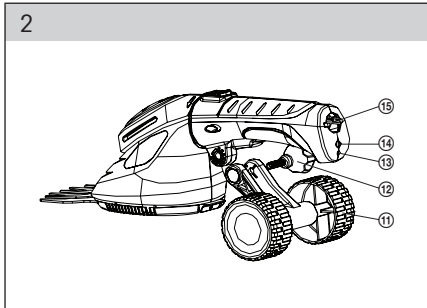
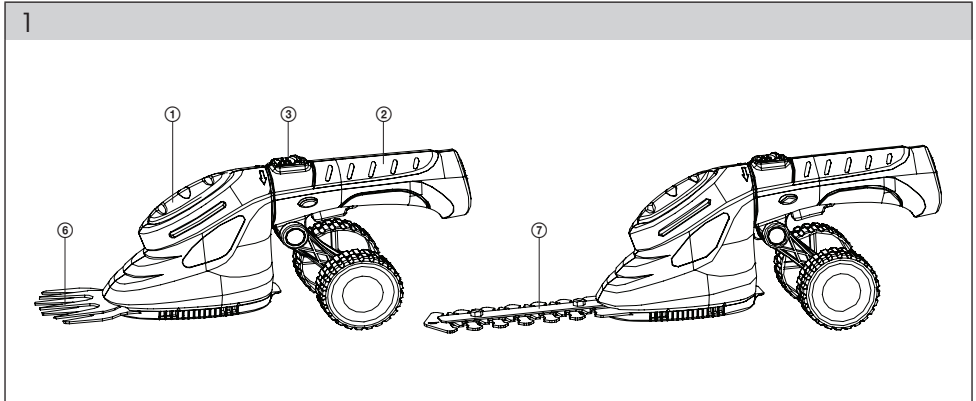
**FIELDMANN**<sup>®</sup>  
Home & Garden Performance



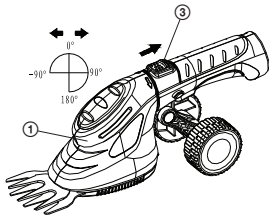
FZN 4001-A  
FZN 4002-AT

---

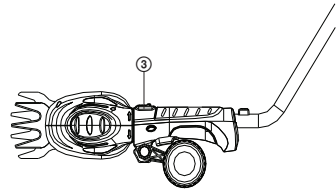
English ..... 1 – 17  
 Čeština ..... 18 – 31  
 Slovenčina ..... 32 – 45  
 Magyarul ..... 46 – 59  
 Polski ..... 60 – 73  
 Русский ..... 74 – 87  
 Lietuvių ..... 88 – 101



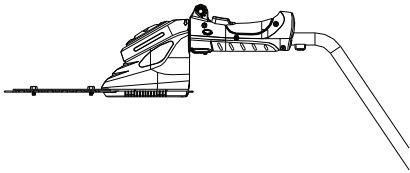
6



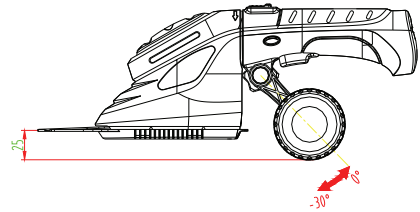
7



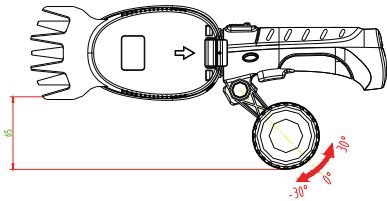
8



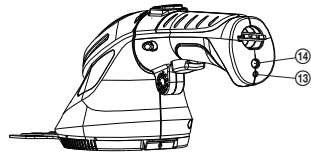
9



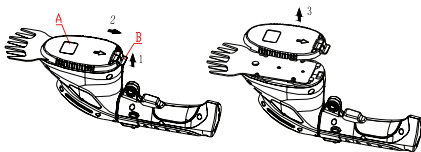
10



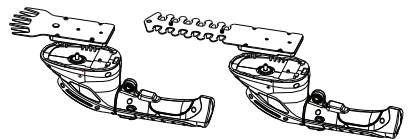
11



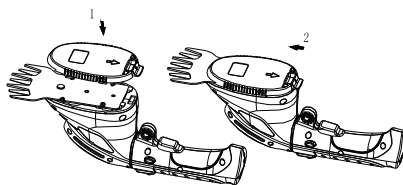
12



13



14





# Cordless Grass Shear & Hedge Trimmer

## USER'S MANUAL

**Thank you for purchasing this cordless shear for trimming grass edges and shaping ornamental shrubs. Before you start using it, please, carefully read this user's manual and save it for possible future use.**

## CONTENTS

ILLUSTRATED ATTACHMENT .....	1
1. GENERAL SAFETY REGULATIONS.....	5
Important safety notice	
Packaging	
Operating instructions	
2. EXPLANATION OF INSTRUCTION LABELS ON THE MACHINE .....	6
3. MACHINE DESCRIPTION AND INCLUDED CONTENTS .....	7
Machine description	
Supplied contents	
4. ASSEMBLY OF THE MACHINE .....	7
Attaching and removing the wheel assembly	
Assembly and disassembly of the telescopic pole	
5. PUTTING INTO OPERATION.....	8
Operating the tool	
Working without the telescopic pole	
Working with the telescopic pole	
Function of the swivel head	
Charging the machine	
Turning on the machine	
Changing the blades	
Important safety instructions for chargers	
Important safety instructions for batteries	
6. INSTRUCTIONS FOR PROPER USE.....	12
7. OPERATING INSTRUCTIONS .....	12
Operation	
Purpose of use	
Instructions for use	
Electrical safety	
8. MAINTENANCE AND STORAGE .....	14
Maintenance	
Storage	
9. TECHNICAL SPECIFICATIONS.....	15
10. DISPOSAL.....	16

# 1. GENERAL SAFETY REGULATIONS

## Important safety notice


- ✿ Carefully unpack the product and take care not to throw away any part of the packaging before you find all the parts of the product.
- ✿ Store the machine in a dry place out of reach of children.
- ✿ Read all warnings and instructions. Not following warnings or instructions may lead to injury by electrical shock, a fire and/or serious injuries.

## Packaging

The product is packed in a package that prevents damage during transport. This package is a resource and so can be handed over for recycling.

## Operating instructions

Before you start working with the machine, read the following safety and usage instructions. Understand the operating elements and the correct use of the device. Keep the user's manual in a safe place where it can be easily retrieved for future use.

 **Note:** If you hand over the machine to somebody else, do so together with the user's manual. Following the instructions in the included user's manual is a prerequisite for the proper use of the machine. The user's manual also contains operating, maintenance and repair instructions.

**The manufacturer takes no responsibility for accidents or damages resulting from not following the instructions in this manual.**

## 2. EXPLANATION OF INSTRUCTION LABELS ON THE MACHINE



Before putting into operation, carefully read the user's manual.



While working use protective aids.



While working use protective footwear.



Careful, sharp parts of the machine! Protect fingers and toes against injury.



Danger while running down after being turned off!



Watch out for objects deflected by the cutting blades!



Make sure that no other person is present in the working radius. Minimum safe distance is 6 m.



Do not use the shear in the vicinity of cables or live electricity or telephone lines. When working maintain a distance of at least 10 m from above ground live electric lines.



Do not work in the rain or in unfavourable climatic conditions.

### Symbols on the charger unit



Protection Class II



Use the charger only in a dry room.



The charger is equipped with a safety transformer.



Negative poles

# 3. MACHINE DESCRIPTION AND INCLUDED CONTENTS

**Machine description** (see attached illustration)

- |                                     |  |
|-------------------------------------|--|
| ① Machine body                      | ⑨ Lock switch for setting the height of the telescopic pole* |
| ② Swivel handle                     | ⑩ Safety lock for fastening the telescopic pole              |
| ③ Handle lock switch                | ⑪ Accessory wheels*  |
| ④ Safety switch                     | ⑫ Fastening bolt   |
| ⑤ Main power switch                 | ⑬ LED battery charge indicator                               |
| ⑥ Blade assembly for cutting grass  | ⑭ Power supply slot  |
| ⑦ Blade assembly for cutting shrubs | ⑮ Opening for fastening the telescopic pole                  |
| ⑧ Telescopic pole*                  |  |

\* for model FZN 4002-AT

## Supplied contents

Carefully take the machine out of the packaging and check whether all the following parts are present:

- ✿ Cordless shear with a blade assembly for cutting grass in a protective cover
- ✿ Blade assembly for cutting shrubs
- ✿ Wheels\*
- ✿ Telescopic pole\*
- ✿ Battery charger
- ✿ User's manual

\* for model FZN 4002-AT

If there are parts missing or they are damaged, please contact the vendor from whom you bought the machine.

# 4. ASSEMBLY OF THE MACHINE

1. Product is fully assembled. Take off the protective plastic blade cover before use and store it so that it can be reused when the product is not being used.
2. The battery must be recharged before use. Follow the instructions for charging.
3. If while cutting branches the blades jam, IMMEDIATELY release the trigger switch and release the blocked tool. If you continue to hold the trigger switch while the blades are jammed you will cause damage to the motor.
4. **IMPORTANT:** This is a power tool that is very easy and comfortable to use. Please pay special attention to the position of the blades during work with this tool so that you avoid injury.



**Attaching and removing the wheel assembly** (see pic. 2)

Slide on the wheel frame on to the projection on the handle and tighten the fastening bolt.

To remove the wheel assembly loosen the fastening bolt and take the wheel frame off the handle.

**⚠ ATTENTION:** Be careful not to press the main switch when attaching or removing the wheels. This could cause serious injuries.

**Assembly and disassembly of the telescopic pole** (see pic. 3)

Slide into the blade handle so that it is secured with the safety lock. The safety switch and the main switch on the handle will not function if the telescopic pole is mounted on the tool.

To remove the telescopic pole, press the safety lock and slide the swivel handle from the machine.

## 5. PUTTING INTO OPERATION

**Operating the tool**

**⚠ ATTENTION:** Never remove or interfere with the function of the starting mechanism.

The start safety lock prevents your tool from being started accidentally.

**Working without the telescopic pole**

1. Press the release button (1) backwards and press switch (2).
2. Release the release button (1).

**📖 Note:** If while using this tool the LED indicator light (3) is red, the battery is flat. Immediately stop work and recharge the battery in the charger supplied with this tool.

**Working with the telescopic pole**

The length of the telescopic pole is adjustable and can be adjusted to the height of the operator.

**⚠ ATTENTION:** Do not use the tool's main switch when adjusting the telescopic handle. This could cause serious injuries.

1. Attach the telescopic pole.
2. Hold the pole with one hand and then loosen the locking bolt.
3. Set the handle to the desired height and secure the pole with the adjustment bolt.
4. Press in the safety lock and press the main switch.
5. After the machine is running you may release the safety switch.

### Function of the swivel head (see pic. 6)

Firmly hold the handle. Move the locking button upwards and then turn the tool's head to the desired position. Release the locking button and check that the tool's head is properly secured in the new position.

 **Note:** The tool's head can be secured in five positions (-90°, 0°, 90°, 180°).

Turned at an angle of 90° for vertical cutting of lawns - see pic. 7, 10.

Turned at an angle of 180° for cutting at heights - see pic. 8.

Setting the height for cutting and trimming lawns - see pic. 9.

Appropriate height for cutting lawns is 40 and 25mm.

Appropriate height for trimming lawns is 80, 65 and 40mm.


### Charging the machine (see pic. 11)

If you wish to charge the battery, connect the adapter to a power socket (230 V ~ 50 Hz) and insert the charger connector into the opening on the handle of the machine. The red charging indicator light will turn on. The battery may be charged for approximately 4 hours. Make sure that you have read all the safety instructions before using the charger. This product must not be repaired by the user. There are no repairable parts inside the charger. The charger must be repaired by an authorised service centre or organised by the vendor so as to prevent damaging the internal components. Read all instructions contained in this user's manual in the section describing the charger before charging your tool's battery.

#### 1. Charging procedure

These chargers do not require any setup and are designed so that their use is as easy as possible.

- ✿ Connect the charger to the tool. (Insert it into the charger opening on the handle).
- ✿ Connect the charger power cord to a power socket. A LED charging indicator will turn light up on the tool. Now the LED charging indicator will be red. This means that the battery is charging.
- ✿ The LED diode will turn green after approximately 4 hours. This means that the battery is fully charged.

 **Note:** The start safety lock and the start button on the tool do not function during the charging process.

#### 2. Important notes for charging.

You will achieve the longest operating lifetime and performance if the battery is charged at temperatures between 18 - 24 °C. Do not charge the battery at temperatures lower than +4.5 °C or higher than +40 °C. This instruction is very important and prevents major damage to the battery.

- ✿ While charging the charger and the battery may be warm to touch. This is a normal event and does not indicate any problem.
- ✿ Whenever possible use the charger at standard room temperature. To prevent the charger from overheating do not cover the battery and do not charge in direct sunlight or in the vicinity of heat sources.
- ✿ If the battery is not being properly charged:
  - ① connect a lamp or another device to the power socket to check the current in the socket.
  - ② check whether the socket is controlled via a light switch, which turns off the socket when the light is turned off.

- ③ place the charger and battery in a location where the temperature is in the range of approximately 18 - 24 °C.
- ④ if problems with charging persist, have the charger and tool repaired at an authorised service centre or the vendor.
- ⚠ The battery should be charged as soon as it stops delivering sufficient power for work which was performed easily with a fully charged battery. DO NOT CONTINUE using the tool in these conditions. Follow the provided procedure for charging.
- ⚠ Under certain conditions with the charger connected to the mains the exposed charging contacts inside the charger may be short circuited by foreign objects. No conductive materials such as steel wool, aluminium foil or other metal items may enter the charger opening. Always disconnect the charger from the mains power socket if there is no battery located in the charger. Before cleaning the charger always disconnect it from the mains power socket.
- ⚠ Do not submerge the charger in water or any other liquid.
- ⚠ **WARNING:** Take care that no liquid enters the charger. This could cause an injury by electrical shock. If you want to make it easier for the battery to cool down after being used with the tool, do not place the charger or the tool in warm places such as metal buildings or open trailers.

### Turning on the machine

**⚠ ATTENTION:** Press or release the start switch carefully according to the manufacturer's instructions.

Turn on the charged machine using the On/Off switch (pic. 1, no. 5). Operation will be shown on the LED display (pic. 1, no. 1). Turn off the machine by releasing the switch, the chuck will stop turning.

### Changing the blades (see pic. 12-14)

**⚠ ATTENTION:** Do not use the start switch before attaching or removing the blades. Risk of injury!

The blades can be changed easily and quickly without the use of other tools.

1. If you wish to change the blades, you must first remove cover (A). Follow the steps shown in the illustration above.
  - ⚠ Hold the tool using one hand as shown on the illustration above. Slide out the clip (B) with your thumb and index finger of your other hand upwards.
  - ⚠ Firmly hold the cover and pull it backwards.
  - ⚠ Remove the cover in the upward direction.
2. Remove the blades and attach new blades.

**⚠ ATTENTION:** Do not use the start switch before attaching the blade covers. Risk of injury!

1. To attach the cover follow the steps shown on the illustration below.
  - ① Attach the blade cover so that the two marks are aligned as shown in the top illustration.
  - ② Push the blade cover forwards until it is secured by the clips in the correct position.

### Important safety instructions for chargers

- ⚠ Read all instructions and warnings located on the charger, battery and tool before using the charger.
- ⚠ **DANGER:** The charger clamps have 230V. Do not probe with conductive items. Danger of serious or fatal injury by electrical shock.

- ✿ The charger and battery are specifically designed to work together. **DO NOT ATTEMPT** to charge the battery in a different charger than the charger specified in this user's manual.
- ✿ Do not expose the charger to rain or snow.
- ✿ This charger is not designed for any use other than charging rechargeable batteries. Any other use may lead to a fire or serious or fatal injury by electrical shock.
- ✿ In order to limit the risk of damaging the power plug or cable, always disconnect by pulling on the plug and not the cable.
- ✿ Make sure that the cable is not placed in such a way that it is stepped on, tripped over or that it is not damaged or otherwise exposed to stress.
- ✿ The charger is ventilated by slot openings located in the top and bottom part of the charger. Do not place any items on the top part of the charger and do not place the charger on such surfaces, which could block these openings, which would lead to excessive temperatures inside the charger. Keep the charger at a sufficient distance from sources of heat.
- ✿ Do not use the charger if it has been impacted by something, or if it has fallen or been damaged in any other way.
- ✿ Do not disassemble the charger. Have the charger maintained or repaired at an authorised service centre or the vendor. Incorrectly performed assembly may lead to a fire or serious or fatal injury by electrical shock.
- ✿ In order to limit the risk of injury by electrical shock, always disconnect the charger from the mains power socket before cleaning it. Taking the battery out of the charger does not lower this risk.
- ✿ Never attempt to connect two chargers to one another.
- ✿ **DO NOT PLACE** or use the tool in places where the temperature may reach or exceed 40 °C (places in a garage or metal buildings in the summer period).
- ✿ The charger is designed to be used with a standard domestic power voltage (230 V). Do not attempt to use any other power voltage!

### Important safety instructions for batteries

- ✿ The battery is fully charged on delivery. First read the safety instructions below and follow the instruction and charging procedures.
  - ✿ **CAREFULLY READ ALL INSTRUCTIONS AND STORE THEM FOR FUTURE USE.**
1. Do not burn the battery even if it is seriously damaged or completely worn out. The battery could explode in the fire.
  2. During demanding work or at high temperatures there may be small leaks of fluid from the battery cells. In this case it is not a defect. However if the external seal is breached and the fluid comes in contact with your skin, do the following:
    - ✿ Quickly wash yourself with soap and water.
    - ✿ Neutralise the affected area with a weak acid such as lemon juice or vinegar.
    - ✿ If the battery fluid gets into your eyes, flush out your eyes at least for several minutes with clean water and immediately seek medical treatment (information for doctors: the fluid is a 25 - 35 % potassium hydroxide solution)
  3. Do not bridge the cathode and the anode battery contacts with metal objects. This could short circuit the battery, which could destroy the battery or cause burns or a fire.
  4. Charge the battery only in the charger supplied with this product.
  5. **NOTE:** This tool uses a Li-Ion type battery, which does not self-discharge and does not have a memory effect.

## 6. INSTRUCTIONS FOR PROPER USE

1. Prevent children and animals access to the work area.
2. Turn on the motor only in such a situation, where your hands and legs are not in the vicinity of the blades.
3. Use only spare parts and accessories recommended by the manufacturer.
4. If the tool and battery are not being used, they should be stored independently in a dry, higher and lockable location, out of the reach of children. Make sure that it is not possible for the battery contacts to be shorted by metal objects such as bolts, nails, etc.
5. Do not apply excessive pressure on the tool during work. The tool will perform the work better and more safely if it is used for the purposes for which it was designed.
6. Perform meticulous maintenance of the tool  
Maintain the cutting mechanism sharp and clean to ensure better and safer operation. Follow the instructions for lubrication and replacement of accessories.
7. Prevent the situation where the tool is turned on accidentally  
Do not carry the tool with the finger on the main trigger switch.

## 7. OPERATING INSTRUCTIONS

### Operation

- ⚠ This product must not be used by children and persons with physical or mental impairments or by inexperienced persons, unless properly trained or schooled in the safe use of the product, or unless they have been properly supervised by a qualified person who will be responsible for their safety.
- ⚠ Use extra care if the product is used near children. Always keep the appliance out of reach of children. Children must be supervised to ensure that they do not play with the product.
- ⚠ Never allow children or persons who do not know the contents of this user's manual to work with the device. Local regulations may set the minimum age of the user. The user is responsible for damages caused to third parties in the machine's working area as a result of its use.
- ⚠ Do not use the machine if you are tired, under the influence of alcohol or narcotics.
- ⚠ If necessary, use personal protection aids (gloves, work footwear, eye protection, respirators, etc.).
- ⚠ Secure loose clothing, long hair or jewellery so that they cannot get caught by the moving parts of the machine.

### Purpose of use

- ⚠ The cordless grass shear & hedge trimmer is intended for use in private gardens.
- ⚠ Machines considered to be suitable for use in private gardens are such devices, where the annual operation as a rule does not exceed 50 operating hours and which are predominantly used for the maintenance of lawn areas, but not public facilities, parks, sports fields or in agriculture or forestry.
- ⚠ Do not use the product for purposes other than those intended.
- ⚠ For safety reasons the machine must not be used as a drive engine for any other work tools and tool sets, unless expressly permitted by the manufacturer.

## Instructions for use

- ✿ Turn on and operate the machine as described in the user's manual, carefully follow all instructions.
- ✿ Before carrying out any kind of inspection, maintenance or repairs disconnect the charger power cable from the mains power supply.
- ✿ Use tools in good working condition for tasks for which they are designed.
- ✿ Work only during good visibility or ensure sufficient artificial lighting.
- ✿ Only store and use the product away from flammable or volatile materials and solutions.
- ✿ Keep the product away from extreme temperatures, direct sunlight and excessive humidity. Do not use in a dusty environment.
- ✿ Do not place the product near heaters, open fires or other appliances or equipment that are sources of heat.
- ✿ Do not spray the product with water or any other liquid. Do not pour water or any other liquids into the appliance. Do not submerge the appliance in water or any other liquid.
- ✿ Never leave the appliance switched on without supervision.
- ✿ Do not touch machine parts until they have come to a complete stop.
- ✿ Allow the motor to cool down before storing the machine in a closed room.
- ✿ Under no circumstances should you repair or alter the product yourself! Entrust all repairs and adjustments of this product to an authorised service centre or the vendor. Tampering with the appliance during the warranty period may void the warranty.
- ✿ The manufacturer is not responsible for damages caused by incorrect use of this product or its accessories. Such damages include food spoilage, injuries, burns, scalding, fire, etc.
- ✿ Using accessories or attachments that are not recommended in this user's manual may increase the risk of injury.
- ✿ Make sure that the correct battery for this tool is used.
- ✿ Before connecting to the charger check that the surface of the tool and battery is clean and dry.
- ✿ Make sure that the battery is charged using the correct charger, which is recommended by the manufacturer. Incorrect use may lead to a risk of injury by electrical shock, overheating of the battery or leakage of battery fluid.
- ✿ Have the tool repaired only by a qualified person
- ✿ This tool is manufactured in accordance with the demands of respective safety regulations. Repairs should only be performed by qualified persons using original spare parts. Otherwise the user will be placed in significant danger.
- ✿ Disposal of batteries  
Ensure that the batteries are safely disposed of according to the manufacturer's instructions.

## Electrical safety

- ✿ The charger of the cordless grass shear & hedge trimmer can be connected to any power plug, preventing discharge, that is installed according to norms in force.
- ✿ The plug must be powered at 230 V ~ 50 Hz.
- ✿ Disconnect the charger if you will not be using it for a long time, if you are changing the tool or performing maintenance on the tool.

# 8. MAINTENANCE AND STORAGE

## Maintenance

- ⚠ ATTENTION:** Disconnect the charger if you will not be using it for a long time, if you are changing the tool or performing maintenance on the tool.
- ✿ Check whether the device is showing signs of wear.
  - ✿ If the charger is damaged (cover, conductors or connector), immediately arrange their replacement at an authorised service centre or from the vendor.
  - ✿ Regular care for the machine will ensure not only a long lifetime and performance
  - ✿ Before use always visually check for worn or damaged parts.
  - ✿ Replace damaged or worn parts. To ensure that the machine always remains balanced, always replace the entire set of the worn or damaged tools.
  - ✿ Worn or damaged machine parts may only be replaced at an authorised service centre or arranged by the vendor.
  - ✿ Before cleaning disconnect this product from the power source.
  - ✿ To clean the plastic parts of the product, use a soft cloth dipped in lukewarm water. Do not use aggressive cleaning products and solvents as this could damage the surface of the appliance.
  - ✿ Do not clean the machine under running water or submerge under water.
  - ✿ After changing the working tool, check that the working tool is secured in its storage position.
  - ✿ After each use of the shear the blade must be cleaned and lubricated. If the shear is used non-stop for extended periods of time, lubrication should be performed during work.

## Storage

- ✿ Store the tool in a dry location at a sufficient distance from heat sources or dangerous vapours.
- ✿ Do not place any other items on the machine.

## 9. TECHNICAL SPECIFICATIONS

Battery	3.6 V/1300 mAh
Battery type	Li-ion
Idling speed	1,000 rpm
Length of blade assembly for cutting shrubs	110 mm
Width of blade assembly for cutting grass	80 mm
Battery capacity	1.3 Ah
Charging time	4 hours
Weight	0.6 kg 1.0 kg (with telescopic pole - model FZN 4002-AT)
<b>Charger</b>	
Input charging voltage	230 V ~ 50 Hz
Output voltage	6 V, direct current, 500 mA

Amendments to text and technical parameters are reserved.

Changes in the text, design and technical specifications may change without prior notice and we reserve the right to make these changes.



# 10. DISPOSAL

## **INSTRUCTIONS AND INFORMATION REGARDING THE DISPOSAL OF USED PACKAGING MATERIALS**

Dispose of packaging material at a public waste disposal site.

### **DISPOSAL OF USED ELECTRICAL AND ELECTRONIC APPLIANCES**



The meaning of the symbol on the product, its accessory or packaging indicates that this product shall not be treated as household waste. Please, dispose of this product at your applicable collection point for the recycling of electrical & electronic equipment waste. Alternatively in some states of the European Union or other European states you may return your products to your local retailer when buying an equivalent new product. The correct disposal of this product will help save valuable natural resources and help in preventing the potential negative impact on the environment and human health, which could be caused as a result of improper liquidation of waste. Please ask your local authorities or the nearest waste collection centre for further details. The improper disposal of this type of waste may fall subject to national regulations for fines.

#### **For business entities in the European Union**

If you wish to dispose of an electrical or electronic device, request the necessary information from your seller or supplier.

#### **Disposal in other countries outside the European Union**

If you wish to dispose of this product, request the necessary information about the correct disposal method from local government departments or from your seller.



This product meets all the basic EU regulation requirements that relate to it.

Changes to the text, design and technical specifications may occur without prior notice and we reserve the right to make these changes.



# Akumulátorové nůžky na trávu a živé ploty

## NÁVOD K OBSLUZE

**Děkujeme vám, že jste si zakoupili tyto akumulátorové nůžky na zastříhávání okrajů trávníků a tvarování okrasných keřů. Než je začnete používat, přečtěte si, prosím, pozorně tento návod k obsluze a uschovejte jej pro případ dalšího použití.**

## OBSAH

OBRAZOVÁ PŘÍLOHA .....	1
1. VŠEOBECNÉ BEZPEČNOSTNÍ PŘEDPISY .....	19
Důležitá bezpečnostní upozornění	
Obal	
Návod k použití	
2. VYSVĚTLENÍ ŠTÍTKŮ S POKYNY NA STROJI.....	20
3. POPIS STROJE A OBSAH DODÁVKY .....	21
Popis stroje	
Obsah dodávky	
4. MONTÁŽ STROJE .....	21
Nasazení a sejmutí sestavy koleček	
Montáž a demontáž teleskopické tyče	
5. UVEDENÍ DO PROVOZU.....	22
Obsluha nářadí	
Práce bez teleskopické tyče	
Práce s teleskopickou tyčí	
Funkce otočné hlavy	
Nabíjení stroje	
Zapnutí stroje	
Výměna nožů	
Důležité bezpečnostní pokyny pro nabíječky	
Důležité bezpečnostní pokyny pro baterie	
6. POKYNY KE SPRÁVNÉMU POUŽITÍ .....	26
7. POKYNY K POUŽITÍ .....	26
Obsluha	
Účel použití	
Pokyny k používání	
Elektrická bezpečnost	
8. ÚDRŽBA A USKLADNĚNÍ .....	28
Údržba	
Uskladnění	
9. TECHNICKÉ ÚDAJE.....	29
10. LIKVIDACE .....	30

# 1. VŠEOBECNÉ BEZPEČNOSTNÍ PŘEDPISY

## Důležitá bezpečnostní upozornění


- ✿ Výrobek pečlivě vybalte a dejte pozor, abyste nevyhodili žádnou část obalového materiálu dříve, než najdete všechny součásti výrobku.
- ✿ Stroj uchovávejte na suchém místě mimo dosah dětí.
- ✿ Čtěte všechna upozornění a pokyny. Zanedbání při dodržování varovných upozornění a pokynů mohou mít za následek úraz elektrickým proudem, požár a/nebo těžká poranění.

## Obal

Výrobek je umístěn v obalu bránícím poškozením při transportu. Tento obal je surovinou a lze jej proto odevzdat k recyklaci.

## Návod k použití

Než začnete se strojem pracovat, přečtěte si následující bezpečnostní předpisy a pokyny k používání. Seznamte se s obslužnými prvky a správným používáním zařízení. Návod pečlivě uschovejte pro případ pozdější potřeby.

 **Poznámka:** Předáváte-li stroj dalším osobám, předejte jej společně s návodem. Dodržování přiloženého návodu k obsluze je předpokladem řádného používání stroje. Návod k obsluze obsahuje rovněž pokyny pro obsluhu, údržbu a opravy.

**Výrobce nepřebírá odpovědnost za nehody nebo škody vzniklé následkem nedodržování tohoto návodu.**

## 2. VYSVĚTLENÍ ŠTÍTKŮ S POKYNY NA STROJI



Před uvedením do provozu si pozorně přečtěte návod k obsluze.



Při práci používejte ochranné pomůcky.



Při práci používejte pracovní obuv.



Pozor, ostře části stroje! Chraňte prsty končetin před poraněním.



Nebezpečí při doběhu stroje po vypnutí!



Pozor na odlétavající předměty od střížných nožů!



Dbejte, aby se další osoba nezdržovala v pracovním okruhu. Minimální bezpečný odstup je 6 m.



Prořezávač nepoužívejte v blízkosti kabelů nebo vedení pod proudem či telefonního vedení. Při práci udržujte odstup nejméně 10 m od nadzemního vedení pod proudem.



Nepracuje za deště, ani za zhoršených klimatických podmínek.

### Symbyly na nabíjecí jednotce



Ochranná třída II



Nabíječku používejte jen v suché místnosti.



Nabíječka je vybavena bezpečnostním transformátorem.



Negativní pólování

## 3. POPIS STROJE A OBSAH DODÁVKY

**Popis stroje** (viz obrazová příloha)

- |                               |  |
|-------------------------------|--|
| ① Tělo stroje                 | ⑨ Aretační spínač pro nastavení výšky teleskopické tyče* |
| ② Otočná rukojeť              | ⑩ Pojistka pro upevnění teleskopické tyče                |
| ③ Zajišťovací spínač rukojeti | ⑪ Přídatná kolečka*                                      |
| ④ Bezpečnostní spínač         | ⑫ Upínací šroub  |
| ⑤ Hlavní spínač               | ⑬ LED indikace nabíjení baterie                          |
| ⑥ Lišta na trávu              | ⑭ Zdířka pro zdroj napájení                              |
| ⑦ Lišta na keře               | ⑮ Otvor pro upevnění teleskopické tyče                   |
| ⑧ Teleskopická tyč*           |  |

\* pro model FZN 4002-AT

### Obsah dodávky

Stroj vyjměte opatrně z obalu a zkontrolujte, zda jsou následující díly kompletní:

- ✿ Akumulátorové nůžky s lištou na trávu v ochranném pouzdře
- ✿ Lišta na keře
- ✿ Kolečka\*
- ✿ Teleskopická tyč\*
- ✿ Nabíječka baterie
- ✿ Návod k obsluze

\* pro model FZN 4002-AT

Pokud díly chybí nebo jsou poškozeny, obraťte se, prosím, na prodejce, kde jste stroj zakoupili.

## 4. MONTÁŽ STROJE

1. Výrobek je kompletně sestaven. Před použitím sejměte průhledný plastový kryt nožů a uschovejte jej, aby mohl být znovu použit, není-li výrobek používán.
2. Baterie musí být před použitím nabitá. Postupujte prosím podle pokynů pro nabíjení.
3. Dojde-li během stříhání větve k zaseknutí nožů, OKAMŽITĚ uvolněte spouštěcí spínač a uvolněte zablokované nářadí. Budete-li během zablokování nožů stále držet spouštěcí spínač, způsobíte poškození motoru.
4. **DŮLEŽITÉ:** Jedná se o výkonné nářadí, které se velmi jednoduše a pohodlně používá. Věnujte prosím náležitou pozornost poloze nožů při práci s tímto nářadím, aby nedošlo k vašemu poranění.

### Nasazení a sejmутí sestavy koleček (viz obr. 2)

Nasuňte rám koleček na výstupek na rukojeti a utáhněte upínací šroub.

Pro sejmутí sestavy koleček povolte upínací šroub a sejměte rám koleček z rukojeti.

**⚠ POZOR:** Dbejte na to, aby při nasazování nebo snímání koleček nedošlo k stisknutí hlavního spínače. Tak by mohlo dojít k vážnému zranění.

### Montáž a demontáž teleskopické tyče (viz obr. 3)

Zasuňte v otvoru rukojeti nůžek tak, aby došlo k jeho zajištění pojistkou. Bezpečnostní spínač a hlavní spínač na rukojeti nebude funkční, bude-li teleskopická tyč namontována na nářadí.

Pro demontáž teleskopické tyče stiskněte pojistku a vysuňte otočnou rukojeť ze stroje.

## 5. UVEDENÍ DO PROVOZU

### Obsluha nářadí

**⚠ POZOR:** Nikdy neodstraňujte nebo nerušte funkci spínacího zařízení.

Spouštěcí pojistka zabraňuje náhodnému spuštění vašeho nářadí.

### Práce bez teleskopické tyče

1. Zatlačte odjišťovací tlačítko (1) směrem dopředu a stiskněte spínač (2).
2. Uvolněte odjišťovací tlačítko (1).

**📖 Poznámka:** Svítí-li během použití tohoto nářadí LED indikace nabíjení (3) červeně, baterie je vybitá. Ihned zastavte práci a nabijte baterii v nabíječce dodávané s tímto nářadím.

### Práce s teleskopickou tyčí

Teleskopická tyč je výškově nastavitelná a může být přizpůsobena výšce obsluhy.

**⚠ POZOR:** Provádíte-li nastavení teleskopické rukojeti, nepoužívejte hlavní spínač nářadí. Tak by mohlo dojít k vážnému zranění.

1. Připevněte teleskopickou tyč.
2. Jednou rukou držte tyč a potom povolte aretační šroub.
3. Nastavte rukojeť do požadované výšky a zajistěte tyč seřizovacím šroubem.
4. Zatlačte bezpečnostní spínač a stiskněte hlavní spínač.
5. Po rozběhnutí stroje můžete uvolnit bezpečnostní spínač.

## Funkce otočné hlavy (viz obr. 6)

Uchopte pevně rukojeť. Posuňte zajišťovací tlačítko nahoru a potom otočte hlavu nářadí do požadované polohy. Uvolněte zajišťovací tlačítko a zkontrolujte, zda je hlava nářadí v nové poloze řádně zajištěna.

 **Poznámka:** Hlava nářadí může být zajištěna v pěti polohách (-90°, 0°, 90°, 180°).

Natočení v úhlu 90° pro vertikální stříhání trávniku - viz obr. 7, 10.

Natočení v úhlu 180° pro stříhání ve výškách - viz obr. 8.

Nastavení výšky pro stříhání a zkracování trávniku - viz obr. 9.

Vhodná výška pro stříhání trávniku je 40 a 25 mm.

Vhodná výška pro zastřížení trávniku je 80, 65 a 40 mm.

## Nabíjení stroje (viz obr. 11)

Chcete-li nabít baterii, připojte adaptér k síťové zásuvce (230 V ~ 50 Hz) a zasuňte konektor nabíječky do otvoru na rukojeti stroje. Rozsvítí se červená kontrolka nabíjení. Baterie může být nabíjena zhruba 4 hodiny. Před použitím nabíječky se ujistěte, zda jste si přečetli všechny bezpečnostní pokyny. Opravy tohoto výrobku nesmí provádět uživatel. Uvnitř nabíječky nejsou žádné opravitelné díly. Opravy nabíječky musí provádět autorizovaný servis či zajistit prodejce, aby bylo zabráněno poškození vnitřních komponentů. Před nabíjením baterie z vašeho nářadí si přečtěte všechny pokyny uvedené v tomto návodu v části popisující nabíječku.

### 1. Postup nabíjení

Tyto nabíječky nevyžadují žádná nastavení a jsou zkonstruovány tak, aby bylo jejich použití co nejjednodušší.

- ✿ Připojte nabíječku k nářadí. (Zasuňte ji do otvoru pro nabíječku na rukojeti).
- ✿ Připojte napájecí kabel nabíječky k síťové zásuvce. Na nářadí se rozsvítí LED indikace nabíjení. Nyní bude LED indikace nabíjení svítit červeně. To znamená, že se baterie nabíjí.
- ✿ Zhruba o 4 hodiny později začne LED dioda svítit zeleně. To znamená, že je baterie zcela nabita.

 **Poznámka:** Spouštěcí pojistka a spouštěcí tlačítko na nářadí nejsou během nabíjení funkční.

### 2. Důležité poznámky pro nabíjení.

Nejdelší provozní životnosti a výkonu dosáhnete, budete-li baterii nabíjet při teplotách v rozsahu 18 - 24 °C. Nenabíjejte baterii při teplotách nižších než +4,5 °C, nebo vyšších než +40 °C. Tento pokyn je velmi důležitý a zabraňuje vážnému poškození baterie.

- ✿ Při nabíjení mohou být baterie a nabíječka na dotyk teplé. Jedná se o normální jev, který neznamená žádný problém.
- ✿ Kdykoli je to možné, používejte nabíječku při běžné pokojové teplotě. Z důvodu zabránění přehřátí nabíječku nezakrývejte a nenabíjejte baterii na přímém slunečním světle nebo v blízkosti tepelných zdrojů.
- ✿ Nedochází-li k řádnému nabíjení baterie:

- ① připojením lampy nebo jiného zařízení k síťové zásuvce zkontrolujte proud v zásuvce.
- ② zkontrolujte, zda je zásuvka opatřena spínačem napojeným na rozsvícení světla, který při zhasnutí světla vypíná zásuvku.
- ③ přesuňte nabíječku a baterii na místo, kde je teplota v rozsahu zhruba 18 - 24 °C.
- ④ jestliže problémy s nabíjením přetrvávají, svěřte opravu nabíječky a nářadí autorizovanému servisu či prodejci.



- ☼ Baterie by měla být nabita, jakmile přestane dodávat dostatečný výkon pro práce, které byly s nabitou baterií prováděny snadno. **NEPOKRAČUJTE** v použití nářadí v těchto podmínkách. Dodržujte uvedený postup pro nabíjení.
- ☼ V určitých podmínkách s nabíječkou připojenou k síti mohou být obnažené nabíjecí kontakty uvnitř nabíječky zkratovány cizími předměty. Do otvorů nabíječky se nesmí dostat cizí vodivé materiály, jako jsou ocelová vlna, hliníkové fólie nebo jiné kovové částěčky. Není-li v nabíječce umístěna baterie, vždy odpojte nabíječku od síťové zásuvky. Před čištěním nabíječku vždy odpojte od síťové zásuvky.
- ☼ Neponořujte nabíječku do vody nebo do jiné kapaliny.
- ☼ **VAROVÁNÍ:** Dbejte na to, aby se do nabíječky nedostala žádná kapalina. Mohlo by dojít k úrazu elektrickým proudem. Chcete-li usnadnit vychladnutí baterie po použití nářadí, neodkládejte nabíječku nebo nářadí na teplých místech, jako jsou kovové budovy nebo nekrytý přívěs.

## Zapnutí stroje

**⚠ POZOR:** Startujte nebo spouštějte startovací spínač opatrně, podle pokynů výrobce.

Nabitý stroj zapnete stisknutím spínače (obr. 1, č. 5). Na LED displeji (obr. 1, č. 1) se objeví signalizace chodu. Stroj vypnete uvolněním spínače, otáčením sklíčka se zastaví.

## Výměna nožů (viz ob. 12-14)

**⚠ POZOR:** Před nasazením nebo vyjmutím nožů **NEPOUŽÍVEJTE** spouštěcí spínač. Riziko poranění!

Nože mohou být vyměněny snadno a rychle bez použití jiného nářadí.

1. Chcete-li provést výměnu nožů, musíte nejdříve sejmout kryt (A). Postupujte podle kroků znázorněných na výše uvedeném obrázku.
  - ☼ Uchopte nářadí jednou rukou, jak je znázorněno na výše uvedeném obrázku. Vysuňte přichytku (B) palcem a ukazovákem druhé ruky směrem nahoru.
  - ☼ Uchopte pevně kryt a stáhněte jej směrem dozadu.
  - ☼ Sejměte kryt směrem nahoru.
2. Sejměte nože a nasadte nové nože.

**⚠ POZOR:** Před nasazením krytu nožů **NEPOUŽÍVEJTE** spouštěcí spínač. Riziko poranění!

1. Při nasazení krytu postupujte podle uvedených kroků, jak je znázorněno na níže uvedeném obrázku.
  - ① Nasadte kryt nožů tak, aby byly srovnány dvě rysky označené na horním obrázku.
  - ② Ztlačte kryt nožů dopředu, dokud nedojde k zajištění přichytky ve správné poloze.

## Důležité bezpečnostní pokyny pro nabíječky

- ☼ Před použitím nabíječky si přečtěte všechny pokyny a upozornění, které se nachází na nabíječce, baterii a na nářadí.
- ☼ **NEBEZPEČÍ:** Na nabíjecích svorkách je 230 V. Nezkoumat vodivými předměty. Nebezpečí vážného nebo smrtelného úrazu elektrickým proudem.
- ☼ Nabíječka a baterie jsou specificky navrženy tak, aby pracovaly dohromady. **NEPOKOUŠEJTE SE** nabíjet baterii v jiné nabíječce, než je nabíječka uvedená v tomto návodu.
- ☼ Nevystavujte nabíječku dešti nebo sněžení.

- ✿ Tato nabíječka není určena pro jiné použití, než je nabíjení nabíjecích baterií. Jakékoli jiné použití může vést k způsobení požáru nebo k vážnému nebo smrtelnému úrazu elektrickým proudem.
- ✿ Z důvodu omezení rizika poškození elektrické zástrčky nebo kabelu provádějte odpojování od zásuvky tahem za zástrčku a ne za kabel.
- ✿ Ujistěte se, zda je kabel veden tak, aby se na něj nešlapalo, nezakopávalo se o něj a aby nebyl poškozen nebo jinak namáhán.
- ✿ Nabíječka je odvětrávána drážkovými otvory, které se nachází v horní a spodní části nabíječky. Nepokládejte na horní část nabíječky žádné předměty a nepokládejte nabíječku na takové povrchy, které by mohly tyto otvory zablokovat, což by způsobilo nadměrné zvýšení teploty uvnitř nabíječky. Umístěte nabíječku v dostatečné vzdálenosti od zdrojů tepla.
- ✿ Nepoužívejte nabíječku, došlo-li k nárazu do nabíječky, k pádu nabíječky nebo k poškození nabíječky jiným způsobem.
- ✿ Neprovádějte demontáž nabíječky. Svěřte provádění údržby nebo oprav nabíječky autorizovanému servisu či prodejci. Nesprávně provedená montáž může vést k způsobení požáru nebo k vážnému nebo smrtelnému úrazu elektrickým proudem.
- ✿ Z důvodu omezení rizika způsobení zranění elektrickým proudem před čištěním nabíječku vždy odpojte síťové zásuvky. Vyjmoutí baterie z nabíječky toto riziko nesníží.
- ✿ Nikdy se nepokoušejte spojit dvě nabíječky dohromady.
- ✿ **NEUKLÁDEJTE** nebo nepožívejte nářadí na místech, kde může teplota dosáhnout nebo přesáhnout 40 °C (místa uvnitř garáží nebo plechových staveb v letním období).
- ✿ Nabíječka je určena pro použití se standardním napájecím napětím v domácnosti (230 V). Nepokoušejte se používat jakékoli jiné napájecí napětí!

### Důležité bezpečnostní pokyny pro baterie

- ✿ Po dodání není baterie zcela nabitá. Nejdříve si přečtěte níže uvedené bezpečnostní pokyny a dodržujte pokyny a postupy pro nabíjení.
  - ✿ **PŘEČTĚTE SI PEČLIVĚ VŠECHNY POKYNY A USCHOVEJTE JE PRO BUDOUCÍ POUŽITÍ.**
1. Nespalujte baterii, i když je vážně poškozena nebo zcela opotřebená. Baterie by mohla v ohni explodovat.
  2. Při náročné práci nebo při vysokých teplotách může docházet k malým únikům kapaliny z článků baterie. V tomto případě se nejedná o závadu. Dojde-li ovšem k porušení vnějšího těsnění a dostane-li se vám kapalina na pokožku, postupujte následovně:
    - ✿ Omyjte se rychle mýdlem a vodou.
    - ✿ Neutralizujte zasažené místo slabou kyselinou, jako je například citrónová šťáva nebo ocet.
    - ✿ Dostane-li se vám kapalina z baterie do očí, vyplachujte si oči minimálně několik minut čistou vodou a okamžitě vyhledejte lékařské ošetření (poznámka pro lékaře: kapalina je 25 - 35 % roztok hydroxidu draselného.)
  3. Nepropojujte záporný a kladný pól baterie kovovými předměty. Mohlo by dojít ke zkratu baterie, což by vedlo k zničení baterie a k možným popáleninám nebo k požáru.
  4. Nabíjejte baterii pouze v nabíječce dodané s tímto výrobkem.
  5. **POZNÁMKA:** V tomto nářadí je použita baterie typu Li-Ion, u které nedochází k samovybití a k paměťovému efektu.

## 6. POKYNY KE SPRÁVNÉMU POUŽITÍ

1. Zamezte přístupu dětí a zvířat do pracovního prostoru.
2. Zapínejte motor pouze v situaci, kdy se vaše ruce a nohy nenachází v blízkosti nožů.
3. Používejte pouze náhradní díly a příslušenství doporučené výrobcem.
4. Nejsou-li nářadí a baterie používány, měly by být samostatně uloženy na suchém, vyšším a uzamykatelném místě, mimo dosah dětí. Zajistěte, aby nemohlo dojít ke zkratu kontaktů baterie kovovými předměty, jako jsou šrouby, hřebíky atd.
5. Nevytvářejte na nářadí během práce nadměrný tlak. Nářadí provede práci lépe a bezpečněji, je-li použito pro účely, pro které je určeno.
6. Provádějte pečlivou údržbu nářadí  
Udržujte řezné nástroje ostré a čisté, což zaručí jejich lepší a bezpečnější použití. Dodržujte pokyny pro mazání a výměnu příslušenství.
7. Zabraňte náhodnému spuštění nářadí  
Nepřenášejte nářadí s prstem na hlavním spínači.

## 7. POKYNY K POUŽITÍ

### Obsluha

- \* Tento výrobek není určen pro děti a osoby se sníženou fyzickou, smyslovou nebo mentální schopností nebo osoby s omezenými zkušenostmi a znalostmi, pokud nad nimi není veden odborný dohled nebo podány instrukce zahrnující použití tohoto výrobku osobou odpovědnou za jejich bezpečnost.
- \* Pokud bude výrobek používán v blízkosti dětí, dbejte zvýšené opatrnosti. Výrobek vždy umísťujte mimo jejich dosah. Děti by měly být pod dozorem, aby se zajistilo, že si s výrobkem nebudou hrát.
- \* Nikdy nedovolte dětem ani osobám neznalým tohoto návodu k použití se zařízením pracovat. Místní předpisy mohou stanovit minimální věk uživatele. Uživatel je odpovědný za škody způsobené třetím osobám v pracovní oblasti stroje jako následek jejího používání.
- \* Stroj nepoužívejte, jste-li unavení, pod vlivem alkoholu či omamných látek.
- \* Je-li to nutné, používejte prvky osobní ochrany (rukavice, pracovní obuv, ochranu zraku, respirátory atd.).
- \* Zajistěte volný oděv, dlouhé vlasy či šperky, tak aby nemohly být zachyceny v pohyblivých částech stroje.

### Účel použití

- \* Akumulátorové nůžky na trávu a keře jsou určeny pro použití v soukromých zahradách.
- \* Za stroje vhodné k použití v soukromých zahradách jsou považována ta zařízení, jejichž roční využití zpravidla nepřesahuje 50 provozních hodin a která jsou převážně využívána pro údržbu travních ploch, ne však ve veřejných zařízeních, parcích, na sportovištích, ani v zemědělství či lesnictví.
- \* Nepoužívejte výrobek k jiným účelům, než pro které je určen.
- \* Z bezpečnostních důvodů nesmí být stroj používána jako pohonný agregát pro jakékoliv ostatní pracovní nástroje a sady nářadí, není-li to výrobcem výslovně povoleno.

## Pokyny k používání

- ✿ Stroj zapněte a provozujte jak je uvedeno v návodu k obsluze, pečlivě dbejte všech instrukcí.
- ✿ Před provedením jakékoliv kontroly, údržby nebo opravy vytáhněte kabel nabíječky ze zásuvky elektrické sítě.
- ✿ Používejte nářadí v dobrém provozním stavu při úkonech, pro které je určeno.
- ✿ Pracujte pouze při dobré viditelnosti nebo zajistěte dostatečné umělé osvětlení.
- ✿ Výrobek používejte a uchovávejte mimo dosah hořlavých a těkavých látek.
- ✿ Výrobek nevystavujte extrémním teplotám, přímému slunečnímu záření, nadměrné vlhkosti a neumísťujte jej do nadměrně prašného prostředí.
- ✿ Výrobek neumísťujte do blízkosti topných těles, otevřeného ohně a jiných spotřebičů nebo zařízení, která jsou zdroji tepla.
- ✿ Výrobek nepostříkujte vodou ani jinou tekutinou. Do výrobku nelijte vodu ani jiné tekutiny. Výrobek neponořujte do vody nebo jiné tekutiny.
- ✿ Výrobek nikdy nenechávejte v chodu bez dozoru.
- ✿ Nedotýkejte se dílů stroje dokud se nedostanou zcela do stavu klidu.
- ✿ Před uložením stroje v uzavřené místnosti nechte motor ochladit.
- ✿ V žádném případě neopravujte výrobek sami a neprovádějte na něm žádné úpravy! Veškeré opravy a seřízení tohoto výrobku svěřte autorizovanému servisu či prodejci. Zásahem do výrobku během platnosti záruky se vystavujete riziku ztráty záručních plnění.
- ✿ Výrobce neodpovídá za škody způsobené nesprávným použitím výrobku a jeho příslušenství (poranění, popálení, opaření, požár, znehodnocení potravin atp.).
- ✿ Použití příslušenství nebo doplňků, které nejsou doporučeny tímto návodem, může zvýšit riziko zranění.
- ✿ Ujistěte se, zda je použita správná baterie pro toto nářadí.
- ✿ Před připojením k nabíječce se ujistěte, zda je povrch nářadí i baterie čistý a suchý.
- ✿ Zajistěte, aby byla baterie nabíjena správnou nabíječkou, která je doporučena výrobcem. Nesprávné použití může vést k riziku zranění elektrickým proudem, k přehřátí baterie nebo k úniku korozivní kapaliny z baterie.
- ✿ Svěřte opravy nářadí pouze kvalifikované osobě
- ✿ Toto nářadí je vyrobeno v souladu s požadavky příslušných bezpečnostních předpisů. Opravy by měly být prováděny pouze kvalifikovanými osobami, které budou používat originální náhradní díly. V jiných případech dojde k značnému ohrožení uživatele.
- ✿ Likvidace baterie  
Zajistěte bezpečnou likvidaci baterie podle pokynů výrobce.

## Elektrická bezpečnost

- ✿ Nabíječku akumulátorového šroubováku lze připojit k jakékoliv zástrčce, zabraňující výbojům, která byla nainstalována dle daných norem.
- ✿ Zástrčka musí být napájena pomocí 230 V ~ 50 Hz.
- ✿ Odpojte nabíječku, nebudete-li ji déle používat, provádíte-li výměnu nástroje nebo údržbu nářadí.

## 8. ÚDRŽBA A USKLADNĚNÍ

### Údržba

**⚠ POZOR:** Odpojte nabíječku, nebudete-li ji déle používat, provádíte-li výměnu nástroje nebo údržbu nářadí.

- ✿ Kontrolujte, nejeví-li zařízení známky opotřebenění.
- ✿ Dojde-li k poškození nabíječky (obal, vodiče nebo konektor), zajistěte si ihned její výměnu v autorizovaném servisu či u prodejce.
- ✿ Pravidelná péče o stroj zajišťuje nejen dlouhou životnost a výkon
- ✿ Před použitím vždy vizuálně zkontrolujte, nejsou-li části stroje opotřebené nebo poškozené.
- ✿ Poškozené nebo opotřebené části vyměňte. Aby byl stroj vždy vyvážen, vyměňujte vždy celou sadu opotřebených nebo poškozených nástrojů.
- ✿ Opořebné či poškozené části stroje smí vyměnit pouze v autorizovaném servisu či zajistí prodejce.
- ✿ Před čištěním vždy odpojte tento výrobek od zdroje energie.
- ✿ Pro čištění plastových částí výrobku použijte jemný hadřík navlhčený ve vlažné vodě. Nepoužívejte drsné čisticí prostředky, ředidla, nebo rozpouštědla, jinak by mohlo dojít k poškození povrchu výrobku.
- ✿ Stroj nečistěte pod tekoucí vodou ani do vody neponořujte.
- ✿ Po výměně pracovního nástroje se ujistěte, zda je pracovní nástroj zajištěn ve své úložné poloze.
- ✿ Po každém použití nůžek musí být nůž včas očištěn a namazán. Budou-li nůžky nepřetržitě používány dlouhodobě, mazání by mělo být prováděno během práce.

### Uskladnění

- ✿ Ukládejte nářadí na suchém místě v dostatečné vzdálenosti od zdrojů tepla nebo nebezpečných výparů.
- ✿ Na stroj nestavte žádné další předměty.

## 9. TECHNICKÉ ÚDAJE

Baterie	3,6 V/1300 mAh
Typ baterie	Li-ion
Otáčky naprázdno	1 000 ot./min
Délka lišty na keře	110 mm
Šířka lišty na trávu	80 mm
Kapacita baterie	1,3 Ah
Doba nabíjení	4 hodiny
Hmotnost	0,6 kg 1,0 kg (s s teleskopickou tyčí - model FZN 4002-AT)
<b>Nabíječka</b>	
Vstupní napájecí napětí	230 V ~ 50 Hz
Výstupní napětí	6 V, stejnosměrný proud, 500 mA

Změna textu a technických parametrů vyhrazena.

Změny v textu, designu a technických specifi kací se mohou měnit bez předchozího upozornění a vyhrazujeme si právo na jejich změnu.

# 10. LIKVIDACE

## POKYNY A INFORMACE O NAKLÁDÁNÍ S POUŽITÝM OBALEM

Použitý obalový materiál odložte na místo určené obcí k ukládání odpadu.

## LIKVIDACE POUŽITÝCH ELEKTRICKÝCH A ELEKTRONICKÝCH ZAŘÍZENÍ



Tento symbol na produktech anebo v průvodních dokumentech znamená, že použité elektrické a elektronické výrobky nesmí být přidány do běžného komunálního odpadu. Ke správné likvidaci, obnově a recyklaci předejte tyto výrobky na určená sběrná místa. Alternativně v některých zemích Evropské unie nebo jiných evropských zemích můžete vrátit své výrobky místnímu prodejci při koupi ekvivalentního nového produktu. Správnou likvidací tohoto produktu pomůžete zachovat cenné přírodní zdroje a napomáháte prevenci potenciálních negativních dopadů na životní prostředí a lidské zdraví, což by mohly být důsledky nesprávné likvidace odpadů. Další podrobnosti si vyžádejte od místního úřadu nebo nejbližšího sběrného místa. Při nesprávné likvidaci tohoto druhu odpadu mohou být v souladu s národními předpisy uděleny pokuty.

### Pro podnikové subjekty v zemích Evropské unie

Chcete-li likvidovat elektrická a elektronická zařízení, vyžádejte si potřebné informace od svého prodejce nebo dodavatele.

### Likvidace v ostatních zemích mimo Evropskou unii

Tento symbol je platný v Evropské unii. Chcete-li tento výrobek zlikvidovat, vyžádejte si potřebné informace o správném způsobu likvidace od místních úřadů nebo od svého prodejce.



Tento výrobek splňuje veškeré základní požadavky směrnic EU, které se na něj vztahují.

Změny v textu, designu a technických specifikacích se mohou měnit bez předchozího upozornění a vyhrazujeme si právo na jejich změnu.





# Akumulátorové nožnice na trávnu a živé ploty

## NÁVOD NA OBSLUHU

**Ďakujeme vám, že ste si kúpili tieto akumulátorové nožnice na zastrihávanie okrajov trávnikov a tvarovanie okrasných kríkov. Než ich začnete používať, prečítajte si, prosím, pozorne tento návod na obsluhu a uschovajte ho pre prípad ďalšieho použitia.**

## OBSAH

OBRAZOVÁ PRÍLOHA .....	1
1. VŠEOBECNÉ BEZPEČNOSTNÉ PREDPISY .....	33
Dôležité bezpečnostné upozornenia	
Obal	
Návod na použitie	
2. VYSVETLENIE K ŠTÍTKOM S POKYNNI NA STROJI.....	34
3. POPIS STROJA A OBSAH DODÁVKY .....	35
Popis stroja	
Obsah dodávky	
4. MONTÁŽ STROJA .....	35
Nasadenie a odobratie zostavy koliesok	
Montáž a demontáž teleskopickej tyče	
5. UVEDENIE DO PREVÁDZKY .....	36
Obsluha náradia	
Práca bez teleskopickej tyče	
Práca s teleskopickou tyčou	
Funkcia otočnej hlavy	
Nabíjanie stroja	
Zapnutie stroja	
Výmena nožov	
Dôležité bezpečnostné pokyny pre nabíjačky	
Dôležité bezpečnostné pokyny pre batérie	
6. POKYNY NA SPRÁVNE POUŽITIE.....	40
7. POKYNY NA POUŽITIE .....	40
Obsluha	
Účel použitia	
Pokyny na používanie	
Elektrická bezpečnosť	
8. ÚDRŽBA A USKLADNENIE .....	42
Údržba	
Uskladnenie	
9. TECHNICKÉ ÚDAJE.....	43
10. LIKVIDÁCIA.....	44

# 1. VŠEOBECNÉ BEZPEČNOSTNÉ PREDPISY

## Dôležité bezpečnostné upozornenia


- ✿ Výrobok opatrne vybalte a dajte pozor, aby ste nevyhodili žiadnu časť obalového materiálu, skôr než nájdete všetky súčasti výrobku.
- ✿ Stroj uchovávajte na suchom mieste mimo dosahu deťí.
- ✿ Čítajte všetky upozornenia a pokyny. Zanedbanie pri dodržiavaní varovných upozornení a pokynov môže mať za následok úraz elektrickým prúdom, požiar a/alebo ťažké poranenia.

## Obal

Výrobok je umiestnený v obale brániacom poškodeniam pri transporte. Tento obal je surovinou a je preto možné ho odovzdať na recykláciu.

## Návod na použitie

Než začnete so strojom pracovať, prečítajte si nasledujúce bezpečnostné predpisy a pokyny na používanie. Oboznámte sa s obsluhnými prvkami a správnym používaním zariadenia. Návod dôkladne uschovajte pre prípad neskoršej potreby.

 **Poznámka:** Ak odovzdávate stroj ďalším osobám, odovzdajte ho spoločne s návodom. Dodržiavanie priloženého návodu na obsluhu je predpokladom riadneho používania stroja. Návod na obsluhu obsahuje tiež pokyny na obsluhu, údržbu a opravy.

**Výrobca nepreberá zodpovednosť za nehody alebo škody vzniknuté následkom nedodržiavania tohto návodu.**

## 2. VYSVETLENIE K ŠTÍTKOM S POKYNYMI NA STROJI



Pred uvedením do prevádzky si pozorne prečítajte návod na obsluhu.



Pri práci používajte ochranné pomôcky.



Pri práci používajte pracovnú obuv.



Pozor, ostré časti stroja! Chráňte prsty končatín pred poranením.



Nebezpečenstvo pri dobehu stroja po vypnutí!



Pozor na odlietavajúce predmety od strižných nožov!



Dbajte na to, aby sa ďalšia osoba nezdržovala v pracovnom okruhu. Minimálny bezpečný odstup je 6 m.



Prerezávač nepoužívajte v blízkosti káblov alebo vedení pod prúdom či telefónneho vedenia. Pri práci udržiujte odstup najmenej 10 m od nadzemného vedenia pod prúdom.



Nepracujte v daždi ani pri zhoršených klimatických podmienkach.

### Symbyly na nabíjacej jednotke



Ochranná trieda II



Nabíjačku používajte len v suchej miestnosti.



Nabíjačka je vybavená bezpečnostným transformátorom.



Negatívne pólovanie

## 3. POPIS STROJA A OBSAH DODÁVKY

### Popis stroja (pozrite obrazová príloha)

- |                              |   |
|------------------------------|---|
| ① Telo stroja                | ⑨ Aretačný spínač na nastavenie výšky teleskopickej tyče* |
| ② Otočná rukoväť             | ⑩ Poistka na upevnenie teleskopickej tyče                 |
| ③ Zaisťovací spínač rukoväti | ⑪ Prídavné kolieska*                                      |
| ④ Bezpečnostný spínač        | ⑫ Upínacia skrutka  |
| ⑤ Hlavný spínač              | ⑬ LED indikácia nabíjania batérie                         |
| ⑥ Lišta na trávu             | ⑭ Zdiarka na zdroj napájania                              |
| ⑦ Lišta na kríky             | ⑮ Otvor na upevnenie teleskopickej tyče                   |
| ⑧ Teleskopická tyč*          |   |

\* pre model FZN 4002-AT

### Obsah dodávky

Stroj vyberte opatrne z obalu a skontrolujte, či sú nasledujúce diely kompletne:

- ✿ Akumulátorové nožnice s lištou na trávu v ochrannom puzdre
- ✿ Lišta na kríky
- ✿ Kolieska\*
- ✿ Teleskopická tyč\*
- ✿ Nabíjačka batérie
- ✿ Návod na obsluhu

\* pre model FZN 4002-AT

Ak diely chýbajú alebo sú poškodené, obráťte sa, prosím, na predajcu, u ktorého ste stroj kúpili.

## 4. MONTÁŽ STROJA

1. Výrobok je kompletne zostavený. Pred použitím odoberte priehľadný plastový kryt nožov a uschovajte ho, aby sa mohol znovu použiť, ak sa výrobok nepoužíva.
2. Batéria musí byť pred použitím nabitá. Postupujte, prosím, podľa pokynov na nabíjanie.
3. Ak dôjde počas strihania vetvy k zaseknutiu nožov, OKAMŽITE uvoľnite spúšťač a uvoľnite zablokované náradie. Ak budete počas zablokovania nožov stále držať spúšťač, spôsobíte poškodenie motora.
4. **DÔLEŽITÉ:** Ide o výkonné náradie, ktoré sa veľmi jednoducho a pohodlne používa. Venujte, prosím, náležitú pozornosť polohe nožov pri práci s týmto náradím, aby nedošlo k vášmu poraneniu.

**Nasadenie a odobratie zostavy koliesok** (pozrite obr. 2)

Nasuňte rám koliesok na výstupok na rukoväti a utiahnite upínaciu skrutku.

Na odobratie zostavy koliesok povolte upínaciu skrutku a odoberte rám koliesok z rukoväti.

**⚠ POZOR:** Dbajte na to, aby pri nasadzovaní alebo odobieraní koliesok nedošlo k stlačeniu hlavného spínača. Tak by mohlo dôjsť k vážnemu zraneniu.

**Montáž a demontáž teleskopической tyče** (pozrite obr. 3)

Zasuňte v otvore rukoväti nožníc tak, aby došlo k jeho zaisteniu poistkou. Bezpečnostný spínač a hlavný spínač na rukoväti nebude funkčný, ak bude teleskopická tyč namontovaná na náradie.

Pre demontáž teleskopической tyče stlačte poistku a vysuňte otočnú rukoväť zo stroja.

## 5. UVEDENIE DO PREVÁDZKY

**Obsluha náradia**

**⚠ POZOR:** Nikdy neodstraňujte alebo nerušte funkciu spínacieho zariadenia.

Spúšťacia poistka zabráňuje náhodnému spusteniu vášho náradia.

**Práca bez teleskopической tyče**

1. Zatláčte odlišovacie tlačidlo (1) smerom dopredu a stlačte spínač (2).
2. Uvoľnite odlišovacie tlačidlo (1).

**📖 Poznámka:** Ak svieti počas použitia tohto náradia LED indikácia nabíjania (3) červeno, batéria je vybitá. Ihneď zastavte prácu a nabíjajte batériu v nabíjačke dodávanej s týmto náradím.

**Práca s teleskopickou tyčou**

Teleskopická tyč je výškovo nastaviteľná a môže sa prispôbiť výške obsluhy.

**⚠ POZOR:** Ak nastavujete teleskopickou rukoväť, nepoužívajte hlavný spínač náradia. Tak by mohlo dôjsť k vážnemu zraneniu.

1. Pripevnite teleskopickou tyč.
2. Jednou rukou držte tyč a potom povolte aretačnú skrutku.
3. Nastavte rukoväť do požadovanej výšky a zaistite tyč nastavovacou skrutkou.
4. Zatláčte bezpečnostný spínač a stlačte hlavný spínač.
5. Po rozbehnutí stroja môžete uvoľniť bezpečnostný spínač.

## Funkcia otočnej hlavy (pozrite obr. 6)

Uchopte pevne rukoväť. Posuňte zaistovacie tlačidlo nahor a potom otočte hlavu náradia do požadovanej polohy. Uvoľnite zaistovacie tlačidlo a skontrolujte, či je hlava náradia v novej polohe riadne zaistená.

 **Poznámka:** Hlava náradia môže byť zaistená v piatich polohách ( $-90^\circ$ ,  $0^\circ$ ,  $90^\circ$ ,  $180^\circ$ ).

Natočenie v uhle  $90^\circ$  na vertikálne strihanie trávnik – pozrite obr. 7, 10.

Natočenie v uhle  $180^\circ$  na strihanie vo výškach – pozrite obr. 8.

Nastavenie výšky na strihanie a skracovanie trávnik – pozrite obr. 9.

Vhodná výška na strihanie trávnik je 40 a 25 mm.

Vhodná výška na zastrihnutie trávnik je 80, 65 a 40 mm.

## Nabíjanie stroja (pozrite obr. 11)

Ak chcete nabíť batériu, pripojte adaptér k sieťovej zásuvke (230 V ~ 50 Hz) a zasunúť konektor nabíjačky do otvoru na rukoväti stroja. Rozsvieti sa červená kontrolka nabíjania. Batéria sa môže nabíjať zhruba 4 hodiny. Pred použitím nabíjačky sa uistite, či ste si prečítali všetky bezpečnostné pokyny. Opravy tohto výrobku nesmie vykonávať užívateľ. Vnútri nabíjačky nie sú žiadne opraviteľné diely. Opravy nabíjačky musí vykonávať autorizovaný servis či zástupca predajca, aby sa zabránilo poškodeniu vnútorných komponentov. Pred nabíjaním batérie z vášho náradia si prečítajte všetky pokyny uvedené v tomto návode v časti opisujúcej nabíjačku.

### 1. Postup nabíjania

Tieto nabíjačky nevyžadujú žiadne nastavenia a sú skonštruované tak, aby bolo ich použitie čo najjednoduchšie.

- ✿ Pripojte nabíjačku k náradu. (Zasunúť ju do otvoru na nabíjačku na rukoväti).
- ✿ Pripojte napájací kábel nabíjačky k sieťovej zásuvke. Na náradí sa rozsvieti LED indikácia nabíjania. Teraz bude LED indikácia nabíjania svietiť červeno. To znamená, že sa batéria nabíja.
- ✿ Zhruba o 4 hodiny neskôr začne LED dióda svietiť zeleno. To znamená, že je batéria celkom nabitá.

 **Poznámka:** Spúšťačia poistka a spúšťaacie tlačidlo na náradí nie sú počas nabíjania funkčné.

### 2. Dôležité poznámky pre nabíjanie.

Najdlhšiu prevádzkovú životnosť a výkon dosiahnete, ak budete batériu nabíjať pri teplotách v rozsahu  $18 - 24^\circ\text{C}$ . Nenabíjajte batériu pri teplotách nižších než  $+4,5^\circ\text{C}$  alebo vyšších než  $+40^\circ\text{C}$ . Tento pokyn je veľmi dôležitý a zabráňuje vážnemu poškodeniu batérie.

- ✿ Pri nabíjaní môžu byť batérie a nabíjačka na dotyk teplé. Ide o normálny jav, ktorý neznamená žiadny problém.
- ✿ Kedykoľvek je to možné, používajte nabíjačku pri bežnej izbovej teplote. Z dôvodu zabránenia prehriatiu nabíjačku nezakrývajte a nenabíjajte batériu na priamom slnečnom svetle alebo v blízkosti tepelných zdrojov.
- ✿ Ak nedochádza k riadnemu nabíjaniu batérie:
  - ① pripojením lampy alebo iného zariadenia k sieťovej zásuvke skontrolujte prúd v zásuvke.
  - ② skontrolujte, či je zásuvka vybavená spínačom napojeným na rozsvietenie svetla, ktorý pri zhasnutí svetla vypína zásuvku.
  - ③ presuňte nabíjačku a batériu na miesto, kde je teplota v rozsahu zhruba  $18 - 24^\circ\text{C}$ .

- ④ ak problémy s nabíjaním pretrvávajú, zverte opravu nabíjačky a náradia autorizovanému servisu či predajcovi.
- ☼ Batériu by ste mali nabíť, hneď ako prestane dodávať dostatočný výkon pre práce, ktoré sa s nabitou batériou vykonávali ľahko. NEPOKRAČUJTE v použití náradia v týchto podmienkach. Dodržujte uvedený postup pre nabíjanie.
- ☼ V určitých podmienkach s nabíjačkou pripojenou k sieti môžu byť obnažené nabíjacie kontakty vnútri nabíjačky skratované cudzími predmetmi. Do otvorov nabíjačky sa nesmú dostať cudzie vodivé materiály, ako sú oceľová vlna, hliníkové fólie alebo iné kovové čiastočky. Ak nie je v nabíjačke umiestnená batéria, vždy odpojte nabíjačku od sieťovej zásuvky. Pred čistením nabíjačku vždy odpojte od sieťovej zásuvky.
- ☼ Neponárajte nabíjačku do vody alebo do inej kvapaliny.
- ☼ **VAROVANIE:** Dbajte na to, aby sa do nabíjačky nedostala žiadna kvapalina. Mohlo by dôjsť k úrazu elektrickým prúdom. Ak chcete uľahčiť vychladnutie batérie po použití náradia, neodkladajte nabíjačku alebo náradie na teplých miestach, ako sú kovové budovy alebo nekrytý prívies.

## Zapnutie stroja

**⚠ POZOR:** Štartujte alebo spúšťajte štartovací spínač opatrne, podľa pokynov výrobcu.

Nabitý stroj zapnete stlačením spínača (obr. 1, č. 5). Na LED displeji (obr. 1, č. 1) sa objaví signalizácia chodu. Stroj vypnete uvoľnením spínača, otáčanie skľučovadla sa zastaví.

## Výmena nožov (pozrite obr. 12-14)

**⚠ POZOR:** Pred nasadením alebo vybratím nožov NEPOUŽÍVAJTE spúšťací spínač. Riziko poranenia!

Nože je možné vymeniť jednoducho a rýchlo bez použitia iného náradia.

1. Ak chcete vymeniť nože, musíte najskôr odobrať kryt (A). Postupujte podľa krokov znázornených na vyššie uvedenom obrázku.
  - ☼ Uchopte náradie jednou rukou, ako je znázornené na vyššie uvedenom obrázku. Vysuňte príchytku (B) palcom a ukazovákom druhej ruky smerom hore.
  - ☼ Uchopte pevne kryt a siahnite ho smerom dozadu.
  - ☼ Odoberte kryt smerom hore.
2. Odoberte nože a nasadte nové nože.

**⚠ POZOR:** Pred nasadením krytu nožov NEPOUŽÍVAJTE spúšťací spínač. Riziko poranenia!

1. Pri nasadení krytu postupujte podľa uvedených krokov, ako je znázornené na nižšie uvedenom obrázku.
  - ① Nasadte kryt nožov tak, aby boli zarovnané dve rysky označené na hornom obrázku.
  - ② Ztlačte kryt nožov dopredu, kým nedôjde k zaisteniu príchytky v správnej polohe.

## Dôležité bezpečnostné pokyny pre nabíjačky

- ☼ Pred použitím nabíjačky si prečítajte všetky pokyny a upozornenia, ktoré sa nachádzajú na nabíjačke, batérii a na náradí.

- ✿ **NEBEZPEČENSTVO:** Na nabíjaciach svorkách je 230 V. Neskúmajte vodivými predmetmi. Nebezpečenstvo vážneho alebo smrteľného úrazu elektrickým prúdom.
- ✿ Nabíjačka a batérie sú špecificky navrhnuté tak, aby pracovali dohromady. **NEPOKÚŠAJTE SA** nabíjať batériu v inej nabíjačke, než je nabíjačka uvedená v tomto návode.
- ✿ Nevystavujte nabíjačku dažďu alebo sneženiu.
- ✿ Táto nabíjačka nie je určená na iné použitie, než je nabíjanie nabíjaciach batérií. Akékoľvek iné použitie môže viesť k spôsobeniu požiaru alebo k vážnemu alebo smrteľnému úrazu elektrickým prúdom.
- ✿ Z dôvodu obmedzenia rizika poškodenia elektrickej zástrčky alebo kábla odpájajte od zásuvky ťahom za zástrčku a nie za kábel.
- ✿ Uistite sa, či je kábel vedený tak, aby sa naň nešliapalo, nezakopávalo sa oň a aby nebol poškodený alebo inak namáhaný.
- ✿ Nabíjačka je odvetrávaná drážkovými otvormi, ktoré sa nachádzajú v hornej a spodnej časti nabíjačky. Nekladte na hornú časť nabíjačky žiadne predmety a nekladte nabíjačku na také povrchy, ktoré by mohli tieto otvory zablokovať, čo by spôsobilo nadmerné zvýšenie teploty vnútri nabíjačky. Umiestnite nabíjačku v dostatočnej vzdialenosti od zdrojov tepla.
- ✿ Nepoužívajte nabíjačku, ak došlo k nárazu do nabíjačky, k pádu nabíjačky alebo k poškodeniu nabíjačky iným spôsobom.
- ✿ Nevykonávajte demontáž nabíjačky. Zverte vykonávanie údržby alebo opráv nabíjačky autorizovanému servisu či predajcovi. Nesprávne vykonaná montáž môže viesť k spôsobeniu požiaru alebo k vážnemu alebo smrteľnému úrazu elektrickým prúdom.
- ✿ Z dôvodu obmedzenia rizika spôsobenia zranenia elektrickým prúdom pred čistením nabíjačku vždy odpojte od sieťovej zásuvky. Vybíratie batérie z nabíjačky toto riziko neznižuje.
- ✿ Nikdy sa nepokúšajte spojiť dve nabíjačky dohromady.
- ✿ **NEUKLADAJTE** alebo nepožívajte náradie na miestach, kde môže teplota dosiahnuť alebo presiahnuť 40 °C (miesta vnútri garáží alebo plechových stavieb v letnom období).
- ✿ Nabíjačka je určená na použitie so štandardným napájacím napätím v domácnosti (230 V). Nepokúšajte sa používať akékoľvek iné napájacie napätie!

### Dôležité bezpečnostné pokyny pre batérie

- ✿ Po dodaní nie je batéria celkom nabitá. Najskôr si prečítajte nižšie uvedené bezpečnostné pokyny a dodržujte pokyny a postupy pre nabíjanie.
  - ✿ **PREČÍTAJTE SI POZORNE VŠETKY POKYNY A USCHOVAJTE ICH NA BUDÚCE POUŽITIE.**
1. Nespaľujte batériu, aj keď je vážne poškodená alebo celkom opotrebovaná. Batéria by mohla v ohni explodovať.
  2. Pri náročnej práci alebo pri vysokých teplotách môže dochádzať k malým únikom kvapaliny z článkov batérie. V tomto prípade nejde o poruchu. Ak však dôjde k porušeniu vonkajšieho tesnenia a ak sa vám dostane kvapalina na pokožku, postupujte nasledovne:
    - ✿ Umyte sa rýchlo mydlom a vodou.
    - ✿ Neutralizujte zasiahnuté miesto slabou kyselinou, ako je napríklad citrónová šťava alebo ocot.
    - ✿ Ak sa vám dostane kvapalina z batérie do očí, vyplachujte si oči minimálne niekoľko minút čistou vodou a okamžite vyhľadajte lekárske ošetrovanie (poznámka pre lekára: kvapalina je 25 – 35 % roztok hydroxidu draselného.)



3. Neprepájajte záporný a kladný pól batérie kovovými predmetmi. Mohlo by dôjsť ku skratu batérie, čo by viedlo k zničeniu batérie a k možným popáleninám alebo k požiaru.
4. Nabíjajte batériu iba v nabíjačke dodanej s týmto výrobkom.
5. **POZNÁMKA:** V tomto náradí je použitá batéria typu Li-Ion, pri ktorej nedochádza k samovybíjaniu a k pamäťovému efektu.

## 6. POKYNY NA SPRÁVNE POUŽITIE

1. Zamedzte prístupu detí a zvierat do pracovného priestoru.
2. Zapínajte motor iba v situácii, keď sa vaše ruky a nohy nenachádzajú v blízkosti nožov.
3. Používajte iba náhradné diely a príslušenstvo odporúčané výrobcom.
4. Ak sa náradie a batéria nepoužívajú, mali by byť samostatne uložené na suchom, vyššom a uzamykateľnom mieste, mimo dosahu detí. Zaisťte, aby nemohlo dôjsť ku skratu kontaktov batérie kovovými predmetmi, ako sú skrutky, klince atď.
5. Nevývíjajte na náradie počas práce nadmerný tlak. Náradie vykoná prácu lepšie a bezpečnejšie, ak je použité na účely, na ktoré je určené.
6. Vykonávajte dôkladnú údržbu náradia  
Udržujte rezné nástroje ostré a čisté, čo zaručí ich lepšie a bezpečnejšie použitie. Dodržujte pokyny na mazanie a výmenu príslušenstva.
7. Zabráňte náhodnému spusteniu náradia  
Neprenášajte náradie s prstom na hlavnom spínači.

## 7. POKYNY NA POUŽITIE

### Obsluha

- ☼ Tento výrobok nie je určený pre deti a osoby so zníženou fyzickou, zmyslovou alebo mentálnou schopnosťou alebo osoby s obmedzenými skúsenosťami a znalosťami, ak nad nimi nie je vedený odborný dohľad alebo ak im neboli podané inštrukcie zahrňujúce použitie tohto výrobku osobou zodpovednou za ich bezpečnosť.
- ☼ Ak budete výrobok používať v blízkosti detí, dbajte na zvýšenú opatrnosť. Výrobok vždy umiestňujte mimo ich dosah. Deti by mali byť pod dozorom, aby sa zaistilo, že sa s prístrojom nebudú hrať.
- ☼ Nikdy nedovoľte deťom ani osobám, ktoré nie sú oboznámené s týmto návodom na použitie, pracovať so zariadením. Miestne predpisy môžu stanoviť minimálny vek používateľa. Používateľ je zodpovedný za škody spôsobené tretím osobám v pracovnej oblasti stroja ako následok jeho používania.
- ☼ Stroj nepoužívajte, ak ste unavení, pod vplyvom alkoholu či omamných látok.
- ☼ Ak je to nutné, používajte prvky osobnej ochrany (rukavice, pracovnú obuv, ochranu zraku, respirátory atď.).
- ☼ Zaisťte voľný odev, dlhé vlasy či šperky tak, aby sa nemohli zachytiť v pohyblivých častiach stroja.

## Účel použitia

- \* Akumulátorové nožnice na trávnu a kríky sú určené na použitie v súkromných záhradách.
- \* Za stroje vhodné na použitie v súkromných záhradách sú považované tie zariadenia, ktorých ročné využitie spravidla nepresahuje 50 prevádzkových hodín a ktoré sú využívané prevažne na údržbu trávnatých plôch, nie však vo verejných zariadeniach, parkoch, na športoviskách, ani v poľnohospodárstve či lesníctve.
- \* Nepoužívajte výrobok na iné účely, než na ktoré je určený.
- \* Z bezpečnostných dôvodov sa nesmie stroj používať ako pohonný agregát pre akékoľvek ostatné pracovné nástroje a súpravy náradia, ak to nie je výrobcom výslovne povolené.

## Pokyny na používanie

- \* Stroj zapnite a prevádzkujte ako je uvedené v návode na obsluhu, starostlivo dbajte na všetky inštrukcie.
- \* Pred vykonaním akejkoľvek kontroly, údržby alebo opravy vytiahnite kábel nabíjačky zo zásuvky elektrickej siete.
- \* Používajte náradie v dobrom prevádzkovom stave pri úkonoch, na ktoré je určené.
- \* Pracujte iba pri dobrej viditeľnosti alebo zaistite dostatočné umelé osvetlenie.
- \* Výrobok používajte a uchovávajte mimo dosahu horľavých a prchavých látok.
- \* Výrobok nevystavujte extrémnym teplotám, priamemu slnečnému žiareniu, nadmernej vlhkosti a neumiestňujte ho do nadmerne prašného prostredia.
- \* Výrobok neumiestňujte do blízkosti vyhrievacích telies, otvoreného ohňa a iných spotrebičov alebo zariadení, ktoré sú zdrojmi tepla.
- \* Výrobok nepostrekujte vodou ani inou tekutinou. Do výrobku nelejte vodu ani iné tekutiny. Výrobok neponárajte do vody alebo inej tekutiny.
- \* Výrobok nikdy nenechávajte v chode bez dozoru.
- \* Nedotýkajte sa dielov stroja, kým sa nedostanú celkom do stavu pokoja.
- \* Pred uložením stroja v uzatvorenej miestnosti nechajte motor ochladieť.
- \* V žiadnom prípade neopravujte výrobok sami a nevykonávajte na ňom žiadne úpravy! Všetky opravy a nastavenia tohto výrobku zverte autorizovanému servisovi či predajcovi. Zásahom do výrobku počas platnosti záruky sa vystavujete riziku straty záručných plnení.
- \* Výrobca nezodpovedá za škody spôsobené nesprávnym použitím výrobku a jeho príslušenstva (poranenie, popálenie, obarenie, požiar, znehodnotenie potravín a pod.).
- \* Použitie príslušenstva alebo doplnkov, ktoré nie sú odporúčané týmto návodom, môže zvýšiť riziko zranenia.
- \* Uistite sa, či je použitá správna batéria pre toto náradie.
- \* Pred pripojením k nabíjačke sa uistite, či je povrch náradia i batérie čistý a suchý.
- \* Zaistite, aby bola batéria nabíjaná správnou nabíjačkou, ktorá je odporúčaná výrobcom. Nesprávne použitie môže viesť k riziku zranenia elektrickým prúdom, k prehriatiu batérie alebo k úniku korozívnej kvapaliny z batérie.
- \* Zverujte opravy náradia iba kvalifikovanej osobe
- \* Toto náradie je vyrobené v súlade s požiadavkami príslušných bezpečnostných predpisov. Opravy by mali vykonávať iba kvalifikované osoby, ktoré budú používať originálne náhradné diely. V iných prípadoch dôjde k značnému ohrozeniu užívateľa.
- \* Likvidácia batérie  
Zaistite bezpečnú likvidáciu batérie podľa pokynov výrobcu.

## Elektrická bezpečnosť

- ✿ Nabíjačku akumulátorového skrutkovača je možné pripojiť k akejkoľvek zástrčke zabraňujúcej výbojom, ktorá bola nainštalovaná podľa daných noriem.
- ✿ Zástrčka musí byť napájaná pomocou 230 V ~ 50 Hz.
- ✿ Odpojte nabíjačku, ak ju nebudete dlhšie používať, ak vymieňate nástroj alebo vykonávate údržbu náradia.

# 8. ÚDRŽBA A USKLADNENIE

## Údržba

**⚠ POZOR:** Odpojte nabíjačku, ak ju nebudete dlhšie používať, ak vymieňate nástroj alebo vykonávate údržbu náradia.

- ✿ Kontrolujte, či nejaví zariadenie známky opotrebenia.
- ✿ Ak dôjde k poškodeniu nabíjačky (obal, vodiče alebo konektor), zaistite si ihneď jej výmenu v autorizovanom servise či u predajcu.
- ✿ Pravidelná starostlivosť o stroj zaisťuje nielen dlhú životnosť a výkon
- ✿ Pred použitím vždy vizuálne skontrolujte, či nie sú časti stroja opotrebené alebo poškodené.
- ✿ Poškodené alebo opotrebené časti vymeňte. Aby bol stroj vždy vyvážený, vymieňajte vždy celú súpravu opotrebených alebo poškodených nástrojov.
- ✿ Opotrebené či poškodené časti stroja sa môžu vymeniť iba v autorizovanom servise alebo ich výmenu zaistí predajca.
- ✿ Pred čistením vždy odpojte tento výrobok od zdroja energie.
- ✿ Na čistenie plastových častí výrobku používajte jemnú handričku navlhčenú vo vlažnej vode. Nepoužívajte drsné čistiace prostriedky, riedidlá alebo rozpúšťadlá, inak by mohlo dôjsť k poškodeniu povrchu výrobku.
- ✿ Stroj nečistite pod tečúcou vodou ani ho do vody neponárajte.
- ✿ Po výmene pracovného nástroja sa uistite, či je pracovný nástroj zaistený vo svojej úložnej polohe.
- ✿ Po každom použití nožnic musí byť nôž včas očistený a namazaný. Ak sa budú nožnice nepretržite používať dlhodobo, mazanie by sa malo vykonávať počas práce.

## Uskladnenie

- ✿ Ukladajte náradie na suchom mieste v dostatočnej vzdialenosti od zdrojov tepla alebo nebezpečných výparov.
- ✿ Na stroj nestavajte žiadne ďalšie predmety.

## 9. TECHNICKÉ ÚDAJE

Batéria	3,6 V/1300 mAh
Typ batérie	Li-Ion
Otáčky naprázdno	1 000 ot./min
Dĺžka lišty na kríky	110 mm
Šírka lišty na trávu	80 mm
Kapacita batérie	1,3 Ah
Čas nabíjania	4 hodiny
Hmotnosť	0,6 kg 1,0 kg (s teleskopickou tyčou - model FZN 4002-AT)
<b>Nabíjačka</b>	
Vstupné napájacie napätie	230 V ~ 50 Hz
Výstupné napätie	6 V, jednosmerný prúd, 500 mA

Zmena textu a technických parametrov vyhradená.

Zmeny v texte, dizajne a technických špecifikáciách sa môžu meniť bez predchádzajúceho upozornenia a vyhradzujeme si právo na ich zmenu.

# 10. LIKVIDÁCIA

## POKYNY A INFORMÁCIE O ZAOBCHÁDZANÍ S POUŽITÝM OBALOM

Použitý obalový materiál odložte na miesto určené obcou na ukladanie odpadu.

## LIKVIDÁCIA POUŽITÝCH ELEKTRICKÝCH A ELEKTRONICKÝCH ZARIADENÍ



Tento symbol na produktoch alebo v sprievodných dokumentoch znamená, že použité elektrické a elektronické výrobky nesmú byť pridané do bežného komunálneho odpadu. Pre správnu likvidáciu, obnovu a recykláciu odovzdajte tieto výrobky na určené zberné miesta. Alternatívne v niektorých krajinách Európskej únie alebo v iných európskych krajinách môžete vrátiť svoje výrobky miestnemu predajcovi pri kúpe ekvivalentného nového produktu. Správnu likvidáciu tohto produktu pomôžete zachovať cenné prírodné zdroje a napomáhať prevencii potenciálnych negatívnych dopadov na životné prostredie a ľudské zdravie, čo by mohli byť dôsledky nesprávnej likvidácie odpadov. Ďalšie podrobnosti si vyžiadajte od miestneho úradu alebo najbližšieho zberného miesta. Pri nesprávnej likvidácii tohto druhu odpadu môžu byť v súlade s národnými predpismi udelené pokuty.

### Pre podnikové subjekty v krajinách Európskej únie

Ak chcete likvidovať elektrické a elektronické zariadenia, vyžiadajte si potrebné informácie od svojho predajcu alebo dodávateľa.

### Likvidácia v ostatných krajinách mimo Európskej únie

Tento symbol je platný v Európskej únii. Ak chcete tento výrobok zlikvidovať, vyžiadajte si potrebné informácie o správnom spôsobe likvidácie od miestnych úradov alebo od svojho predajcu.



Tento výrobok spĺňa všetky základné požiadavky smerníc EÚ, ktoré sa naň vzťahujú.

Zmeny v texte, dizajne a technických špecifikáciách sa môžu meniť bez predchádzajúceho upozornenia a vyhradzuje si právo na ich zmenu.



# Akkumulátoros fűnyíró és sövénynyíró

## HASZNÁLATI ÚTMUTATÓ

**Köszönjük, hogy megvásárolta ezt az akkumulátoros nyírót a füves szegélyek és bozótok lenyírására és alakítására. Mielőtt használni kezdi, figyelmesen olvassa el ezt a használati útmutatót és őrizze meg a későbbiekre.**

## TARTALOM

KÉPMELLÉKLET .....	1
1. ÁLTALÁNOS BIZTONSÁGI ELŐÍRÁSOK .....	47
Fontos biztonsági figyelmeztetések	
Csomagolás	
Használati útmutató	
2. A GÉPEN LEVŐ UTASÍTÁSOKAT TARTALMAZÓ CÍMKÉK MAGYARÁZATA .....	48
3. A GÉP LEÍRÁSA ÉS A CSOMAGOLÁS TARTALMA .....	49
A gép leírása	
A csomagolás tartalma	
4. A GÉP ÖSSZESZERELÉSE .....	49
A kerekek felhelyezése és levétele	
A kihúzható rúd felszerelése és leszerelése	
5. ÜZEMBEHELYEZÉS .....	50
A szerszám kezelése	
Dolgozás kihúzható rúd nélkül	
Dolgozás kihúzható rúddal	
A forgatható fej működése	
A gép feltöltése	
A gép bekapcsolása	
Kések cseréje	
Fontos biztonsági utasítások a töltőegységhez	
Fontos biztonsági utasítások az elemhez	
6. UTASÍTÁSOK A HELYES HASZNÁLATHOZ .....	54
7. HASZNÁLATI UTASÍTÁSOK .....	54
Kezelés	
A használat célja	
Használati utasítások	
Árambiztonság	
8. KARBANTARTÁS ÉS TÁROLÁS .....	56
Karbantartás	
Tárolás	
9. MŰSZAKI ADATOK .....	57
10. MEGSEMMISÍTÉS .....	58

# 1. ÁLTALÁNOS BIZTONSÁGI ELŐÍRÁSOK

## Fontos biztonsági figyelmeztetések


- ✿ A terméket gondosan csomagolja ki és ügyeljen arra, hogy ne dobjon ki semmit, mielőtt minden alkatrészt meg nem talál.
- ✿ A gépet tartsa száraz helyen és gyermekektől távol.
- ✿ Olvassa el az összes figyelmeztetést és utasítást. A figyelmeztetések és utasítások figyelmen kívül hagyásának áramütés, tűz és/vagy komoly sérülés lehet a következménye.

## Csomagolás

A termék védőcsomagolásban van, hogy az átszállítás közbeni sérüléstől védve legyen. Ez a csomagolás újrahasznosítható anyagból készült.

## Használati útmutató

Mielőtt használni kezdi a gépet, olvassa el a következő biztonsági előírásokat és a használati utasításokat. Ismerkedjen meg a kezelőelemekkel és a szerszám helyes használatával. Az útmutatót gondosan őrizze meg későbbi szükség esetére.

 **Megjegyzés:** Ha a gépet újabb személynek adja el, az útmutatóval adja át. A használati útmutató utasításainak betartása a gép helyes használatának alapja. A használati útmutató szintűgy tartalmaz utasításokat a kezelésre, karbantartásra és javításra vonatkozóan.

**A gyártó nem felel az útmutató utasításainak be nem tartásából adódó balesetekért vagy károkért.**



## 2. A GÉPEN LEVŐ UTASÍTÁSOKAT TARTALMAZÓ CÍMKÉK MAGYARÁZATA



Üzembehelyezés előtt figyelmesen olvassa el a használati útmutatót.



A munkánál használjon védőeszközöket.



A munkánál használjon munkacipőt.



Vigyázat, a gép éles részekkel rendelkezik! Védje az ujjait a sérüléstől.



Vigyázzon a gép további működésére kikapcsolás után!



Vigyázat a nyíró késektől repülő tárgyakra!



Ügyeljen arra, hogy más személy ne tartózkodjon a munkaterületen. A minimum biztonságos távolság 6 m.



A vágórészt ne használja kábelek vagy áram alatt levő vezetékek vagy telefonvezetékek közelében. A munkánál tartson legalább 10 m távolságot a földfeletti áram alatt levő vezetékektől.



Ne dolgozzon esőben vagy rossz időben.

### Jelek a töltőegységen



Védelmi osztály II



A töltőegységet csak száraz helyiségben használja.



A töltőegység biztonsági transzformátorral rendelkezik.



Negatív polarizáció

## 3. A GÉP LEÍRÁSA ÉS A CSOMAGOLÁS TARTALMA

### A gép leírása (Isd képmelléklet)

- |                               |   |
|-------------------------------|---|
| ① Géptest                     | ⑨ Zároló kapcsoló a kihúzható rúd magasságának beállításához* |
| ② Forgatható fogantyú         | ⑩ Retesz a kihúzható rúd rögzítéséhez                         |
| ③ Fogantyú biztosító kapcsoló | ⑪ Tartalék kerekek*   |
| ④ Biztonsági kapcsoló         | ⑫ Befogó csavar   |
| ⑤ Főkapcsoló                  | ⑬ Elemfeltöltés LED jelzés                                    |
| ⑥ Lemez fűhöz                 | ⑭ Tápellátás csatlakozás                                      |
| ⑦ Lemez bozóthoz              | ⑮ Nyílás a kihúzható rúd rögzítéséhez                         |
| ⑧ Kihúzható rúd*              |   |

\* a FZN 4002-AT modellhez

### A csomagolás tartalma

A gépet óvatosan vegye ki a csomagolásból és ellenőrizze, hogy teljesek a következő alkatrészek:

- ✿ Akkumulátoros kések lemezzel a fűhöz védőtokban
- ✿ Lemez bozóthoz
- ✿ Kerekek\*
- ✿ Kihúzható rúd\*
- ✿ Feltöltőegység
- ✿ Használati útmutató

\* a FZN 4002-AT modellhez

Ha hiányzik vagy sérült egy alkatrész, kérjük forduljon az eladójához, ahol a szerszámot vette.

## 4. A GÉP ÖSSZESZERELÉSE

1. A termék teljesen össze van állítva. Használat előtt vegye le a kések átlátszó műanyag burkolatát, tegye el, hogy újra használhassa, ha a termék nincs használva.
2. Az elemnek használat előtt feltöltöttnnek kell lennie. Kérjük, a feltöltési utasítások szerint járjon el.
3. Ha az ágak vágásánál beragad a kés, AZONNAL engedje fel az indítógombot és oldja ki a beakadt szerszámot. Ha a kések beakadása közben tovább tartja az indítógombot, a motor károsodását okozza.
4. **FONTOS:** Nagyteljesítményű szerszámról van szó, amely egyszerűen és kényelmesen használható. Kérjük szenteljen figyelmet a kések helyzetének a szerszámmal való munkánál, hogy ne történjen sérülés.

**A kerekek felhelyezése és levétele** (Isd 2. kép)

Tolja fel a kerekek keretét a fogantyún levő kinyúlásra és húzza be a befogó csavart.

A kerekek levételéhez csavarja ki a befogó csavart és vegye le a kerekek keretét a fogantyúról.

**⚠ VIGYÁZAT:** Ügyeljen arra, hogy a kerekek felhelyezésénél vagy levételénél ne nyomja meg a főkapcsolót. Azzal komoly sérülés történhetne.

**A kihúzható rúd felszerelése és leszerelése** (Isd 3. kép)

Szúrja be a fogantyú nyílásába úgy, hogy megtörténjen a rögzítés a retesszel. A biztonsági kapcsoló és a főkapcsoló nem működik, ha a kihúzható rúd fel van szerelve a szerszámmra.

A kihúzható rúd leszereléséhez nyomja meg a reteszt és húzza ki a forgatható fogantyút a gépről.

## 5. ÜZEMBEHELYEZÉS

**A szerszám kezelése**

**⚠ VIGYÁZAT:** Soha se távolítsa el vagy ne zavarja meg az indítóberendezés funkcióját.

Az indító biztosíték megakadályozza a szerszám véletlen elindítását.

**Dolgozás kihúzható rúd nélkül**

1. Nyomja meg a kibiztosító gombot (1) előre és nyomja meg a kapcsolót (2).
2. Engedje fel a kibiztosító gombot (1).

**📖 Megjegyzés:** Ha használat közben pirosan világít a LED elemtöltés jelző (3), az elem le van merülve. Azonnal hagyja abba a munkát és töltsen fel az elemet a töltőegységben, amit a szerszámmal kapott.

**Dolgozás kihúzható rúddal**

A kihúzható rúd magasság szerint beállítható és a kezelés magasságához igazítható.

**⚠ VIGYÁZAT:** Ha a kihúzható rúd beállítását végzi, ne használja a szerszám főkapcsolóját. Azzal komoly sérülés történhetne.

1. Rögzítse a kihúzható rudat.
2. Egy kézzel fogja a rudat és azután csavarja ki a zároló csavart.
3. Állítsa a fogantyút a kívánt magasságba és zárolja a rudat a beállító csavarral.
4. Nyomja meg a biztonsági kapcsolót és nyomja meg a főkapcsolót.
5. A gép elindulása után felengedheti a biztonsági kapcsolót.

## A forgatható fej működése (Isd 6. kép)

Fogja meg erősen a fogantyút. A biztosító gombot tolja felfelé és azután a szerszám fejét fordítsa a kívánt helyzetbe. Engedje fel a biztosító gombot és ellenőrizze, hogy a szerszám feje az új helyzetben jól rögzítve van.

 **Megjegyzés:** A szerszám feje öt helyzetben rögzíthető (-90°, 0°, 90°, 180°).

90° szögben elfordítás függőleges fűnyíráshoz - Isd 7., 10. kép.

180° szögben elfordítás magasban nyíráshoz - Isd 8. kép.

Magasság beállítása fűnyíráshoz és rövidítéshez - Isd 9. kép.

A fűnyíráshoz megfelelő magasság 40 és 25 mm.

A fű lerövidítéshez megfelelő magasság 80, 65 és 40 mm.

## A gép feltöltése (Isd kép 11)

Ha fel akarja tölteni az elemet, csatlakoztassa az adaptert hálózati aljzathoz (230 V ~ 50 Hz) és a feltöltőegység konnektorját szúrja a gép fogantyúján levő csatlakozásba. Kivilágítódik a piros feltöltés-kontrollfény. Az elem kb. 4 óra alatt feltölthető. Az elem használata előtt győződjön meg, hogy elolvasta az összes biztonsági utasítást. Ezen termék javítását nem végezheti a felhasználó. Az elemen belül nincsenek javítható részek. Az elem javítását szakszerviznek kell végeznie vagy az eladónak biztosítania, hogy elkerülje a belső részek sérülését. A szerszám elemének feltöltése előtt olvassa el az összes utasítást ebben az útmutatóban az elemről szóló részben.

### 1. A feltöltés menete

Ezen töltőegység nem igényel beállítást és úgy van tervezve, hogy a használata a lehető legegyszerűbb legyen.

- ✿ Csatlakoztassa a töltőegységet a szerszámhoz. (Szúrja a töltőegység nyílásba a fogantyún).
- ✿ Szúrja a töltőegységet kábelét a hálózati aljzatba. A szerszámon kivilágítódik a LED feltöltés jelzés. Most a LED feltöltés jelzés pirosan világít. Ez azt jelenti, hogy az elem töltődik.
- ✿ Kb. 4 órával később a LED dióda zölden kezd világítani. Ez azt jelenti, hogy az elem teljesen fel van töltve.

 **Megjegyzés:** Az indítás biztosíték és indítás gomb a szerszám feltöltés közben nem működnek.

### 2. Fontos megjegyzések a feltöltéshez.

A leghosszabb élettartamot és teljesítményt úgy éri el, ha az elemet 18 - 24 °C közötti tartományban tölti. Az elemet ne töltsse +4,5 °C-nál alacsonyabb, vagy +40 °C magasabb hőmérsékleten. Ez az utasítás nagyon fontos és megelőzi az elem károsodását.

- ✿ Feltöltésnél az elem és a töltőegység érintésre meleg lehet. Ez rendes jelenség, nem jelent meghibásodást.
- ✿ Amikor csak lehet, a töltőegységet szobahőmérsékleten használja. Az elem túlmelegedésének elkerülése végett ne takarja le és töltsse az elemet közvetlen napfényben vagy hőforrás közelében.
- ✿ Ha nem töltődik az elem:
  - ① lámpa vagy más berendezés hálózathoz csatlakoztatásával ellenőrizze az áramot az aljzatban.
  - ② ellenőrizze, hogy az aljzat nem rendelkezik-e világítás kapcsolóval, ami a világít kikapcsolásával kikapcsolja az áramot az aljzatban.

③ az elemet és a töltőegységet tegye olyan helyre, ahol a hőmérséklet kb. 18 - 24 °C.

④ ha a feltöltési gondok nem szűnnek meg, a töltőegység es a szerszám javítását bízza szakszervizre vagy az eladóra.

- ☼ Az elem fel kell tölteni, ha a munkához nem nyújt elegendő teljesítményt, amit feltöltött elemmel könnyen elvégezne. NE FOLYTASSA a szerszám használatát ezen körülmények esetén. Tartsa be a feltöltés leírt menetét.
- ☼ Bizonyos körülményeknél a hálózathoz csatlakoztatott töltőegység töltési érzetkezései rövidre záródhattak idegen tárgyak miatt. A töltőegység nyílásaiba nem kerülhetnek idegen vezető tárgyak, mint pl. acélhullám, alufólia vagy más fémtárgyak. Ha az elem nincs a töltőegységen, a töltőegységet mindig húzza ki az áramhálózatból. A töltőegység tisztítása előtt mindig húzza ki a hálózatból.
- ☼ A töltőegységet ne merítse vízbe vagy más folyadékba.
- ☼ **VIGYÁZAT:** Ügyeljen arra, hogy a töltőegységbe ne kerüljön semmilyen folyadék. Ez áramütést okozhat. Ha meg akarja gyorsítani az elem kihűlését a szerszám használata után, a töltőegységet vagy a szerszámot ne tegye meleg helyre, mint fém épületek vagy fedetlen utánfutó.

## A gép bekapcsolása

**⚠ VIGYÁZAT:** Az indítókapcsolót óvatosan, a gyártó utasításai szerint kapcsolja.

A feltöltött szerszámot a kapcsoló lenyomásával kapcsolja be (kép 1/5). A LED kijelzőn (kép 1/1) megjelenik a működésjelző A szerszámot a kapcsoló felengedésével kapcsolja ki, a tokmány forgása leáll.

## Kécek cseréje (Isd 12-14. kép)

**⚠ VIGYÁZAT:** A kécek felhelyezése vagy levétele előtt NE HASZNÁLJA az indítókapcsolót. Sérülés veszélye!

A kécek könnyen és gyorsan cserélhetők más eszköz használata nélkül.

1. Ha ki akarja cserélni a kéceket, előbb le kell vennie a borítást (A). A fentebbi képen ábrázolt lépések szerint járjon el.
  - ☼ Fogja meg a szerszámot egy kézzel, ahogy a fentebbi képen látható. Tolja ki befogót (B) hüvelykujjal és a mutatóujjal a másik kézen felfelé.
  - ☼ Fogja meg erősen a borítást és húzza hátrafelé.
  - ☼ Vegye le a borítást felfelé.
2. Vegye le a kéceket és tegyen fel újakat.

**⚠ VIGYÁZAT:** A kécek borításának felhelyezése előtt NE HASZNÁLJA az indítókapcsolót. Sérülés veszélye!

1. A borítás felhelyezésénél a leírt lépések szerint járjon el, ahogy a alábbi képen látható.
  - ① A kécek borítását úgy tegye fel, hogy a felső képen jelzett két jelzés ki legyen egyenlítve.
  - ② A kécek borítását tolja előre, amíg nem rögzítődik a befogó a megfelelő helyzetben.

## Fontos biztonsági utasítások a töltőegységhez

- ☼ A töltőegység használata előtt olvassa el az összes utasítást és figyelmeztetést, ami a töltőegységen, elem és szerszámon található.

- ✿ **VESZÉLY:** A feltöltő csatlakozásokon 230 V van. Ne érintse vezető tárggyal. Komoly sérülés vagy halálos áramütés veszélye.
- ✿ A töltőegység és az elem úgy van tervezve, hogy együtt működjenek. **NE PRÓBÁLJA** az elem más töltőegységgel tölteni, mint az útmutatóban jelzett töltőegység.
- ✿ Ne tegye ki a töltőegységet esőnek vagy havazásnak.
- ✿ Ez a töltőegység nincs más használatra tervezve, mint az elem feltöltése. Más használat tüzet okozhat vagy komoly sérülést vagy áramütést okozhat.
- ✿ A kábeldugó vagy kábel sérülésének elkerülése végett a dugónálás ne a kábelnél fogva húzza ki az aljzatból.
- ✿ Győződjön meg, hogy a kábel úgy van vezetve, hogy nem taposnak, ne botlanak meg benne és nem sérült vagy máshogy túlterhelt.
- ✿ A töltőegység szellőzőnyílásai a töltőegység felső és alsó részén található. A töltőegység felső részére ne tegyen semmit és a töltőegységet ne tegye olyan felületre, ami ezeket a nyílásokat eltömíthetné. ami a hőfok megemelkedését okozná a töltőegységben. A töltőegységet elegendő távolságba tegye hőforrásoktól.
- ✿ Ne használja a töltőegységet, ha megütődött, leesett vagy más módon sérült.
- ✿ Ne szerelje szét a töltőegységet. A karbantartást vagy javítást bízza a szakszervizre vagy az eladóra. A helytelen szerelés tüzet okozhat vagy komoly sérülést vagy áramütést okozhat.
- ✿ Áramütés elkerülése végett a töltőegységet tisztítás előtt mindig húzza ki a hálózatból. Az elem levétele a töltőegységről ezt a kockázatot nem csökkenti.
- ✿ Soha se akarjon két töltőegységet összekapcsolni.
- ✿ **NE TÁROLJA** és ne használja a szerszámot olyan helyen, ahol a hőmérséklet meghaladja a 40 °C-t (garázsban vagy pléh épületekben nyáron).
- ✿ A töltőegységet szabványos háztartási feszültségre van tervezve (230 V). Ne használjon semmilyen más tápfeszültséget!

### Fontos biztonsági utasítások az elemhez

- ✿ Megvételnél az elem nincs teljesen feltöltve. Előbb olvassa el az alábbi biztonsági utasításokat és tartsa be a feltöltési menetet és utasításokat.
  - ✿ **GONDOSAN AZ OLVASSA EL AZ ÖSSZES UTASÍTÁST ÉS ŐRIZZE MEG A KÉSŐBBIEKRE.**
1. Ne égesse el az elemet, ha sérült vagy elhasználódott. Az elem a tűzben felrobbanhat.
  2. Megterhelő munkánál nagy hőmérsékletnél az elemekből folyadék szivároghat. Nem meghibásodásról van szó. Ha megsérül a külső szigetelés és a bőrre kerül a folyadék, a következőképpen járjon el:
    - ✿ Gyorsan mossa le a szappannal és vízzel.
    - ✿ A sérült helyet semlegesítse gyenge savval, mint például citromlé vagy ecet.
    - ✿ Ha a folyadék az elemből a szembe kerül, öblítse ki több percig tiszta vízzel és azonnal keresen fel orvost (megjegyzés az orvosnak: a folyadék 25 - 35 % káliumhidroxid vegyület.)
  3. Ne kösse át a negatív és pozitív pólust fém tárgyakkal. Az elemben rövidzárlat keletkezhet, ami tönkreteszi az elemet és égési sérülést vagy tüzet okozhat.
  4. Az elemet csak a termékkel kapott töltőegységgel töltsé.
  5. **MEGJEGYZÉS:** Ebben a szerszámban Li-Ion elem használatos, ami nem merül le magától és nincs emlékező hatás.

## 6. UTASÍTÁSOK A HELYES HASZNÁLATHOZ

1. Ne engedjen gyerekeket és állatokat a munkaterületre.
2. A motort csak akkor kapcsolja be, ha a keze és lába nincs a kések közelében.
3. Csak a gyártó által jóváhagyott pótalkatrészeket és tartozékokat használjon.
4. Ha nem használja szerszámot és az elemet, külön tárolja száraz helyen, gyerekektől távol, magasabb zárható helyen. Biztosítsa, hogy ne keletkezzen rövidzárlat az elem érintkezői között fém tárgyak miatt, mint pl. csavarok stb.
5. A szerszámra munka közben ne fejtse ki túl nagy nyomást. A szerszám jobban és biztonságosan elvégzi a munkát, ha arra a célra van használva, amire tervezték.
6. A szerszámot gondosan tartsa karban  
A vágóeszközöket tartsa élesen és tisztán, hogy biztosítsa a jobb és biztonságosabb használatot. Tartsa be a kenésre és a tartozékok cseréjére vonatkozó utasításokat.
7. Kerülje el a szerszám véletlen elindítását  
Ne helyezze át a szerszámot az ujjával a főkapcsolón.

## 7. HASZNÁLATI UTASÍTÁSOK

### Kezelés

- ✿ Ezt a terméket nem gyerekeknek és csökkent fizikai vagy szellemi képességű személyeknek tervezték vagy korlátozott tapasztalatú és tudású személyeknek, ha nincsenek a biztonságukért felelős személy felügyelete alatt vagy nem látta el őket a termék használatára vonatkozó utasításokkal.
- ✿ Ha a termék gyermekek közelében van használva, fokozott óvatossággal járjon el. A terméket mindig tartsa tőlük távol. A gyerekeknek felügyelet alatt kell lenniük, hogy biztosítsa, nem fognak a szerszámmal játszani.
- ✿ Soha se engedje gyermekeknek vagy az útmutatót nem ismerő személyeknek a szerszámot használni. A helyi előírások megszabhatják a felhasználó minimum életkorát. A felhasználó felelős a harmadik személynek a szerszám munkaterületén a használatából adódó károkért.
- ✿ Ne használja a szerszámot, ha fáradt, alkohol vagy kábítószer hatása alatt.
- ✿ Ha szükséges, használjon személyi védőfelszerelést (kesztyű, munkaruha, látásvédelem, légzőkészüléket stb.).
- ✿ A szabadon lógó ruhát, hosszú haját vagy nyakláncot biztosítsa úgy, hogy azt ne kaphassák be a szerszám forgó részei.

### A használat célja

- ✿ Az akkumulátoros fű- és sövénynyíró magánkertekben használatra szolgál.
- ✿ Za stroje vhodné k použití v soukromých zahradách jsou považována ta zařízení, jejichž roční využití zpravidla nepřesahuje 50 provozních hodin a která jsou převážně využívána pro údržbu travních ploch, ne však ve veřejných zařízeních, parcích, na sportovištích, ani v zemědělství či lesnictví.
- ✿ A terméket ne használja más célra, mint amire szolgál.
- ✿ Biztonsági okokból a szerszám nem használható mint áramfejlesztő bármilyen más munkagéphez és szerszámokhoz, ha az a gyártó által nincs kifejezetten megengedve.

## Használati utasítások

- ✿ A szerszámot a használati útmutató leírása alapján kapcsolja be és üzemeltesse, és tartsa be az utasításokat.
- ✿ Bármilyen ellenőrzés, karbantartás vagy javítás előtt a feltöltő kábelt húzza ki az áramhálózathoz.
- ✿ A szerszámot jó üzemi állapotban használja azokra a feladatokra, amelyekre tervezték.
- ✿ Csak jó látási viszonyok mellett dolgozzon vagy biztosítson mesterséges megvilágítást.
- ✿ A terméket ne használja és tartsa távol gyúlékony és illékony anyagoktól.
- ✿ A terméket ne tegye ki szélsőséges hőmérsékleteknek, közvetlen napfénynek, túl nagy nedvességnek és ne tegye túl poros környezetbe.
- ✿ A terméket ne tegye fűtőtűz, nyílt láng vagy más berendezések közelébe, amelyek hőforrások.
- ✿ A terméket ne szöktelje le vízzel vagy más folyadékkal. A termékbe ne öntsön vizet vagy más folyadékot. A terméket ne merítse vízbe vagy más folyadékba.
- ✿ A terméket soha se hagyja működésben felügyelet nélkül.
- ✿ Ne érintse a szerszám részeit, amíg nincsenek teljes nyugalomban.
- ✿ A szerszám zárt helyre elrakása előtt várja meg, amíg a motor kihűl.
- ✿ Semmilyen esetben se javítsa a szerszámot maga és ne végezzen rajta semmilyen módosítást! Minden javítást és szerelést bízva szakszervizre vagy az eladóra. A jótállási idő alatti termékbe beavatkozással elveszítheti a jótállási teljesítésre vonatkozó jogát.
- ✿ A gyártó nem felel a termék és tartozékainak helytelen használatából adódó károkért (sérülés, megégés, legőzölés, tűz, élelmiszer-megromlás stb.).
- ✿ A gyártó által jóvá nem hagyott tartozékok és kiegészítők használata növelheti sérülés kockázatát.
- ✿ Győződjön meg, hogy megfelelő elem van használva ehhez a szerszámmal.
- ✿ A töltőegységhez csatlakoztatás előtt győződjön meg, hogy az elem és szerszám felülete tiszta és száraz.
- ✿ Biztosítsa, hogy a gyártó által jóváhagyott, helyes töltőegységgel tölti az elemet. A helytelen használat áramütéshez, az elem túlmelegedéséhez vagy az elemből korrózió folyadék szivárgásához vezethet.
- ✿ A szerszám javítását csak szakképzett szerelőre bízva
- ✿ Ez a szerszám a vonatkozó biztonsági előírások követelményeivel összhangban van gyártva. A javítást csak szakképzett személy végezheti, aki eredeti pótalkatrészeket fog használni. Más esetekben a felhasználó komoly veszélynek teszi ki magát.
- ✿ Az elem megsemmisítése  
Biztosítsa az elem biztonságos megsemmisítését a gyártó utasításai szerint.

## Árambiztonság

- ✿ Az akkumulátoros csavarhúzó feltöltőegysége bármilyen aljzathoz csatlakoztatható, amelyik az adott szabványok szerint volt telepítve.
- ✿ Az aljzatban levő áram 230 V ~ 50 Hz kell legyen.
- ✿ Húzza ki a feltöltőegységet, ha nem használja, a szerszámot kicseréli vagy karbantartást végez a szerszámmal.



# 8. KARBANTARTÁS ÉS TÁROLÁS

## Karbantartás

**⚠ FIGYELEM:** Húzza ki a feltöltőegységet, ha nem használja, a szerszámot kicseréli vagy karbantartást végez a szerszámon.

- ☼ Ellenőrizze, hogy a szerszám nem mutatja-e elhasználódás jeleit.
- ☼ Ha sérül a töltőegység (burkolat, vezeték vagy konnektor), biztosítsa azonnali cseréjét a szakszervizben vagy az eladónál.
- ☼ A szerszám rendszeres karbantartása annak hosszú élettartamát és teljesítményét biztosítja
- ☼ Használat előtt mindig szemmel ellenőrizze, a szerszám valamelyik része nem elhasználódott vagy sérült-e.
- ☼ A sérült vagy elhasználódott részeket cserélje ki. Ahhoz, hogy a szerszám műszakilag kiegyensúlyozott legyen, az elhasználódott vagy sérült eszközök egész készletét cserélje ki.
- ☼ Az elhasználódott vagy sérült részeket cseréjét csak szakszerviz végezheti vagy az eladó biztosítja.
- ☼ Tisztítás előtt mindig csatlakoztassa le a terméket az áramhálózatról.
- ☼ A termék külső részeinek tisztítására használjon langyos vízbe mártott finom rongyot. Ne használjon durva tisztítószereket, higítót, oldószert, különben sérülhet a termék burkolata.
- ☼ A szerszámot ne tisztítsa folyó víz alatt és ne is merítse vízbe.
- ☼ A munkaeszköz cseréje után győződjön meg, hogy az jól biztosítva van a tároló helyzetben.
- ☼ A késeket minden egyes használata után időben meg kell tisztítani és be kell kennin. Ha a késeket hosszantartóan használja, a kenést a munka során el kell végezni.

## Tárolás

- ☼ A szerszámot száraz helyen tárolja elegendő távolságban hőforrásoktól vagy veszélyes gőzöktől.
- ☼ A szerszámra ne tegyen semmilyen más tárgyat.

## 9. MŰSZAKI ADATOK

Elem	3,6 V/1300 mAh
Elem típus	Li-ion
Fordulatszám üresben	1 000 ford./perc
Bokornyíró lemez hossz	110 mm
Fűnyíró lemez	80 mm
Elem kapacitás	1,3 Ah
Töltési idő	4 óra
Súly	0,6 kg 1,0 kg (kihúzható rúddal - FZN 4002-AT modell)
<b>Töltőegység</b>	
Bemeneti tápfeszültség	230 V ~ 50 Hz
Kimeneti feszültség	6 V egyenirányú feszültség, 500 mA

A szöveg és műszaki paraméterek változtatásának joga fenntartva.

A szöveg, kivitel és műszaki specifikációk előzetes figyelmeztetés nélkül változhatnak és a változtatások joga fenntartva.

# 10. MEGSEMMISÍTÉS

## UTASÍTÁSOK ÉS TÁJÉKOZTATÓ A HASZNÁLT CSOMAGOLÓANYAGOKRA VONATKOZÓAN

A használt csomagolóanyagokat az önkormányzat által kijelölt hulladéklerakó helyre helyezze el!

## HASZNÁLT ELEKTROMOS ÉS ELEKTRONIKUS BERENDEZÉSEK MEGSEMMISÍTÉSE



Ez a jelzés a terméken vagy a kíséző dokumentációban azt jelzi, hogy az elektromos vagy elektronikus termék nem dobható háztartási hulladék közé. A helyes megsemmisítéshez és újrafelhasználáshoz ezen termékeket kijelölt hulladékgyűjtő helyre adja le. Az EU országokban vagy más európai országokban a termékek visszaválthatóak az eladóhelyen azonos új termék vásárlásánál. A termék helyes megsemmisítésével segít megelőzni az élőkönyvezetre és emberi egészségre kockázatos lehetséges veszélyek kialakulását amelyek a hulladék helytelen kezelésével adódhatnak. További részletekről érdeklődjön a helyi hatóságnál vagy a legközelebbi gyűjtőhelyen. Az ilyen fajta hulladék helytelen megsemmisítése a helyi előírásokkal összhangban bírsággal sújtható.

### Vállalkozások számára a Európai Unióban

Ha meg akarja semmisíteni az elektromos vagy elektronikus berendezést, kérje a szükséges információkat az eladójától vagy beszállítójától.

### Megsemmisítés Európai Unión kívüli országban

Ez a jelzés az Európai Unióban érvényes. Ha meg akarja semmisíteni a terméket, kérje a szükséges információkat a helyes megsemmisítésről a helyi hivataloktól vagy az eladójától.



Ez a termék teljesíti minden rá vonatkozó EU irányelv alapvető követelményét.

Változtatások a szövegben, kivitelben és műszaki jellemzőkben előzetes figyelmeztetés nélkül történhetnek és minden módosításra vonatkozó jog fenntartva.



# Akumulatorowe nożyce do trawy i żywopłotów

## INSTRUKCJA OBSŁUGI

**Dziękujemy za zakup tych akumulatorowych nożyc do przycinania krawędzi trawników i formowania krzewów ozdobnych. Zanim zaczniesz z nich korzystać, przeczytaj uważnie niniejszą instrukcję obsługi i zachowaj ją do wglądu.**

## SPIS TREŚCI

ZAŁĄCZNIK Z RYSUNKAMI.....	1
1. OGÓLNE ZASADY BEZPIECZEŃSTWA .....	61
Ważne instrukcje dotyczące bezpieczeństwa	
Opakowanie	
Instrukcja obsługi	
2. WYJAŚNIENIE TABLICZEK ZE WSKAZÓWKAMI ZNAJDUJĄCYCH SIĘ NA MASZYNIE.....	62
3. OPIS URZĄDZENIA I ZAWARTOŚĆ DOSTAWY .....	63
Opis urządzenia	
Zawartość opakowania	
4. MONTAŻ MASZYNY.....	63
Zakładanie i zdejmowanie zestawu kółek	
Montaż i demontaż drążka teleskopowego	
5. URUCHOMIENIE .....	64
Obsługa urządzenia	
Praca bez drążka teleskopowego	
Praca z drążkiem teleskopowym	
Funkcja głowicy obrotowej	
Ładowanie urządzenia	
Włączanie urządzenia	
Wymiana nożów	
Ważne wskazówki bezpieczeństwa dotyczące ładowarki	
Ważne wskazówki bezpieczeństwa dotyczące akumulatora	
6. WSKAZÓWKI DOTYCZĄCE PRAWIDŁOWEGO UŻYTKOWANIA.....	68
7. WSKAZÓWKI DOTYCZĄCE UŻYCIA .....	68
Obsługa	
Przeznaczenie	
Wskazówki dotyczące użytkowania	
Bezpieczeństwo elektryczne	
8. KONSERWACJA I PRZECHOWYWANIE .....	70
Konservacja	
Przechowywanie	
9. DANE TECHNICZNE.....	71
10. LIKWIDACJA.....	72

# 1. OGÓLNE ZASADY BEZPIECZEŃSTWA

## Ważne instrukcje dotyczące bezpieczeństwa

- ✿ Rozpakuj uważnie wyrób, zwracając przy tym uwagę, abyś nie wyrzucił żadnej części materiału opakowaniowego, zanim nie znajdziesz wszystkich części wyrobu.
- ✿ Przechowuj urządzenie w suchym miejscu z dala od dzieci.
- ✿ Przeczytaj wszystkie uwagi i wskazówki. Nieprzestrzeganie ostrzeżeń i wskazówek może spowodować porażenie prądem elektrycznym, pożar lub ciężkie obrażenia.

## Opakowanie

Wyrób został umieszczony w opakowaniu chroniącym je przed uszkodzeniem podczas transportu. Opakowanie to jest surowcem i dlatego podlega recyklingowi.

## Instrukcja obsługi

Zanim rozpoczniesz pracę z urządzeniem, przeczytaj następujące zasady bezpieczeństwa i wskazówki dotyczące użytkowania. Zapoznaj się z elementami sterowania i prawidłowym użyciem urządzenia. Instrukcję należy starannie zachować do wglądu.

- 📖 **Uwaga:** Jeśli przekazujesz maszynę innym osobom, przekaż ją razem z instrukcją. Przestrzeganie załączonej instrukcji obsługi stanowi założenie prawidłowego użycia urządzenia. Instrukcja obsługi zawiera również wskazówki dotyczące obsługi, konserwacji i naprawy.

**Producent nie ponosi odpowiedzialności za wypadki lub szkody powstałe na skutek nieprzestrzegania niniejszej instrukcji.**

## 2. WYJAŚNIENIE TABLICZEK ZE WSKAZÓWKAMI ZNAJDUJĄCYCH SIĘ NA MASZYNIE



Przed uruchomieniem urządzenia przeczytaj uważnie instrukcję obsługi.



Podczas pracy należy używać ochroniaczy.



Podczas pracy należy używać obuwia roboczego.



Uważaj na ostre części urządzenia! Chroń palce przed zranieniem.



Po wyłączeniu urządzenia zagraża niebezpieczeństwo związane z dokończeniem pracy maszyny!



Uważaj na przedmioty odlatujące od nożów tnących!



Zadbaj o to, aby w pobliżu miejsca pracy nie znajdowała się żadna inna osoba. Minimalna bezpieczna odległość wynosi 6 m.



Nie używaj nożyc w pobliżu kabli lub przewodów pod prądem czy przewodów telefonicznych. Podczas pracy zachowaj co najmniej 10 m odstęp od przewodów nadziemnych pod prądem.



Nie pracuj podczas deszczu ani przy złych warunkach pogodowych.

### Symbole na ładowarce



Klasa ochrony II



Z ładowarki należy korzystać wyłącznie w suchym pomieszczeniu.



Ładowarka jest wyposażona w transformator bezpieczeństwa.



Ujemna polaryzacja

## 3. OPIS URZĄDZENIA I ZAWARTOŚĆ DOSTAWY

**Opis urządzenia** (por. załącznik z rysunkami)

- |   |  |
|---|--|
| ① Korpus urządzenia   | ⑩ Zabezpieczenie do przymocowania drążka teleskopowego |
| ② Rękojeść obrotowa   | ⑪ Dodatkowe kółka*                                     |
| ③ Zabezpieczający włącznik rękojeści                                | ⑫ Śruba mocująca                                       |
| ④ Włącznik bezpieczeństwa   | ⑬ Kontrolka LED ładowania akumulatora                  |
| ⑤ Włącznik główny   | ⑭ Gniazdo źródła zasilania                             |
| ⑥ Listwa do trawy   | ⑮ Otwór do przymocowania drążka teleskopowego          |
| ⑦ Listwa do krzewów   |  |
| ⑧ Drążek teleskopowy*   |  |
| ⑨ Włącznik aretacyjny do ustawiania wysokości drążka teleskopowego* |  |

\* model FZN 4002-AT

### Zawartość opakowania

Wyjmij ostrożnie maszynę z opakowania i sprawdź, czy następujące części są kompletne:

- |   |                         |
|---|-------------------------|
| ✿ Nożyce akumulatorowe z listwą do trawy w futerale ochronnym | ✿ Drążek teleskopowy*   |
| ✿ Listwa do krzewów   | ✿ Ładowarka akumulatora |
| ✿ Kółka*  | ✿ Instrukcja obsługi    |

\* model FZN 4002-AT

Jeśli brakuje części lub są one uszkodzone, zwróć się o pomoc do sprzedawcy, u którego maszyna została zakupiona.

## 4. MONTAŻ MASZINY

1. Wyrób jest kompletnie zmontowany. Przed użyciem zdejmij przezroczystą plastikową osłonę nożów i schowaj ją do użytku w przyszłości, jeśli wyrób nie jest używany.
2. Akumulator musi zostać przed użyciem doładowany. Postępuj zgodnie ze wskazówkami dotyczącymi ładowania.
3. Jeśli podczas przycinania gałęzi dojdzie do zablokowania nożów, NATYCHMIAST zwolnij włącznik uruchamiający i odblokuj narzędzia. Jeśli podczas blokady nożów będziesz wciąż trzymać włącznik uruchamiający, doprowadzisz do uszkodzenia silnika.
4. **WAŻNE:** Jest to efektywne narzędzie zapewniające prostą i komfortową obsługę. Zwróć należytą uwagę na pozycję nożów podczas pracy urządzenia, aby zapobiec zranieniom.



### Zakładanie i zdejmowanie zestawu kółek (por. rys. 2)

Zatóż ramę kółek na wypust na rękojeści i dokręć śrubę mocującą.

Aby zdjąć zestaw kółek, zwolnij śrubę mocującą i zdejmij ramę kółek z rękojeści.

**⚠ UWAGA:** Zadbaj o to, aby podczas zakładania lub zdejmowania kółek nie doszło do wciśnięcia głównego włącznika. Mogłoby dojść do poważnych obrażeń.

### Montaż i demontaż drążka teleskopowego (por. rys. 3)

Wsuń do otworu rękojeści nożyc tak, aby doszło do jego zablokowania przez zabezpieczenie. Włącznik bezpieczeństwa i włącznik główny na rękojeści nie będą działać, jeśli drążek teleskopowy nie będzie zamontowany na urządzeniu.

Aby zdemontować drążek teleskopowy, wciśnij bezpiecznik i wysuń rękojeść obrotową z urządzenia.

## 5. URUCHOMIENIE

### Obsługa urządzenia

**⚠ UWAGA:** Nigdy nie usuwaj lub nie wyłączaj funkcji urządzenia włączającego.

Bezpiecznik uruchamiający zapobiega przypadkowemu uruchomieniu urządzenia.

### Praca bez drążka teleskopowego

1. Przesuń przycisk odbezpieczający (1) w kierunku do przodu i wciśnij włącznik (2).
2. Zwolnij przycisk odbezpieczający (1).

**📖 Uwaga:** Jeśli podczas użycia tego urządzenia kontrolka LED ładowania (3) świeci na czerwono, oznacza to, że akumulator jest rozładowany. Natychmiast przerwij pracę i doładuj akumulator w ładowarce dostarczonej wraz z tym urządzeniem.

### Praca z drążkiem teleskopowym


Drążek teleskopowy ma regulowaną długość i może zostać dostosowany do wysokości osoby obsługującej urządzenie.

**⚠ UWAGA:** Podczas regulacji ustawień rękojeści teleskopowej nie używaj głównego włącznika urządzenia. Mogłoby dojść do poważnych obrażeń.

1. Przymocuj drążek teleskopowy.
2. Jedną ręką przytrzymaj drążek, a następnie odkręć śrubę aretacyjną.
3. Ustaw odpowiednią długość rękojeści i zabezpiecz drążek śrubą regulującą.
4. Wciśnij włącznik bezpieczeństwa i włącznik główny.
5. Po uruchomieniu urządzenia można zwolnić włącznik bezpieczeństwa.

## Funkcja głowicy obrotowej (por. rys. 6)

Przytrzymaj mocno rękojeść. Przesuń przycisk zabezpieczający do góry, a następnie obróć głowicę urządzenia do odpowiedniej pozycji. Zwolnij przycisk zabezpieczający i sprawdź, czy głowica urządzenia jest prawidłowo zabezpieczona w nowej pozycji.

-  **Uwaga:** Głowica urządzenia może być zabezpieczona w pięciu pozycjach ( $-90^\circ$ ,  $0^\circ$ ,  $90^\circ$ ,  $180^\circ$ ).
- Obracanie pod kątem  $90^\circ$  do poziomego przycinania trawnika - por. rys. 7, 10.
  - Obracanie pod kątem  $180^\circ$  do przycinania na wysokościach - por. rys. 8.
  - Ustawianie wysokości przycinania i skracania trawnika - por. rys. 9.
  - Odpowiednia wysokość cięcia trawnika wynosi 40 i 25 mm.
  - Odpowiednia wysokość przycinania trawnika wynosi 80, 65 i 40 mm.


## Ładowanie urządzenia (por. rys. 11)

Jeśli chcesz naładować akumulator, podłącz adapter do gniazdka sieciowego (230 V ~ 50 Hz) i wsuń złącze ładowarki do otworu w rękojeści urządzenia. Zacznie świecić czerwona kontrolka ładowania. Akumulator może być ładowany przez ok. 4 godziny. Przed użyciem ładowarki sprawdź, czy przeczytałeś wszystkie wskazówki dotyczące bezpieczeństwa. Użytkownikowi nie wolno dokonywać naprawy tego wyrobu. Wewnątrz ładowarki nie ma żadnych części, które można naprawić. Naprawę ładowarki musi wykonać autoryzowany serwis lub musi ją zapewnić sprzedawca, aby nie dopuścić do uszkodzenia części znajdujących się we wnętrzu. Przed ładowaniem akumulatora przeczytaj wszystkie wskazówki podane w niniejszej instrukcji w części dotyczącej ładowarki.

### 1. Zasady ładowania

Ta ładowarka nie wymaga żadnych ustawień i jest skonstruowana tak, aby jej użycie było jak najprostsze.

- Podłącz ładowarkę do urządzenia. (Wsuń ją do otworu ładowarki na rękojeści).
- Podłącz kabel zasilający ładowarki do gniazdka sieciowego. Na urządzeniu zacznie świecić kontrolka LED ładowania. Teraz kontrolka LED ładowania będzie świecić na czerwono. Oznacza to, że akumulator jest ładowany.
- Mniej więcej 4 godziny później dioda LED zacznie świecić na zielono. Oznacza to, że akumulator jest całkowicie naładowany.

 **Uwaga:** Bezpiecznik uruchamiający i przycisk uruchamiający znajdujące się na urządzeniu nie działają podczas ładowania.

### 2. Ważne uwagi dotyczące ładowania.

Aby osiągnąć jak najdłuższą żywotność i moc akumulatora, należy go ładować w temperaturach w zakresie 18 - 24 °C. Nie ładuj akumulatora w temperaturach poniżej +4,5 °C lub powyżej +40 °C. Zalecenie to jest bardzo ważne i jego przestrzeganie zapobiega poważnemu uszkodzeniu akumulatora.

- Podczas ładowania akumulator i ładowarka mogą być ciepłe. Jest to zjawisko normalne, które nie oznacza żadnego problemu.
- Zawsze kiedy to możliwe używaj ładowarki przy zwykłej temperaturze pokojowej. Aby zapobiec przegrzaniu, nie zakrywaj ładowarki i nie ładuj jej na bezpośrednim świetle słonecznym lub w pobliżu źródeł ciepła.

- ☼ Jeśli akumulator się nie ładuje:
  - ① podłącz lampę lub inne urządzenie do gniazdka sieciowego i sprawdź, czy w gniazdku jest prąd.
  - ② sprawdź, czy w gniazdku jest włącznik zapalania światła, który wyłącza gniazdko po wyłączeniu światła.
  - ③ przesuń ładowarkę i akumulator na miejsce, w którym temperatura waha się w zakresie 18 - 24 °C.
  - ④ jeśli problemy z ładowaniem trwają nadal, powierz naprawę ładowarki i urządzenia autoryzowanemu serwisowi lub sprzedawcy.
- ☼ Akumulator powinien zostać natychmiast naładowany w momencie, kiedy przestanie dostarczać odpowiedniej mocy podczas prac, które powinny być realizowane z łatwością, jeśli akumulator jest naładowany. W takich okolicznościach NIE KONTYNUUJ pracy z urządzeniem. Przestrzegaj podanych wskazówek dotyczących ładowania.
- ☼ W pewnych warunkach, kiedy ładowarka jest podłączona do sieci, wewnątrz ładowarki może dojść do krótkiego spięcia obniżonych kontaktów ładujących z przedmiotami obcymi. Nie wolno dopuścić, aby do otworów ładowarki przedostały się obce materiały przewodzące, jak np. wełna stalowa, folia aluminiowa lub inne cząsteczki metalowe. Jeśli w ładowarce nie jest umieszczony akumulator, należy ją odłączyć od gniazdka sieciowego. Przed czyszczeniem należy zawsze odłączyć ładowarkę od gniazdka sieciowego.
- ☼ Nie zanurzaj ładowarki w wodzie lub innej cieczy.
- ☼ **OSTRZEŻENIE:** Zadbaj o to, aby do ładowarki nie przedostała się żadna ciecz. Mogłoby dojść do porażenia prądem elektrycznym. Jeśli chcesz sobie ułatwić chłodzenie akumulatora po użyciu urządzenia, nie odkładaj ładowarki lub urządzenia na ciepłe miejsca, jak np. metalowe części budynków lub nieprzykryta przyczepa.

## Włączanie urządzenia

**⚠ UWAGA:** Włączaj urządzenie lub uruchamiaj włącznik ostrożnie, zgodnie z zaleceniami producenta.

Aby włączyć naładowane urządzenie, wciśnij włącznik (rys. 1 nr 5). Na wyświetlaczu LED (rys. 1 nr 1) pojawi się sygnalizacja pracy urządzenia. Aby wyłączyć urządzenie, zwolnij włącznik. Dojdzie do zatrzymania obrotów uchwytu.

## Wymiana nożów (por. rys. 12-14)

**⚠ UWAGA:** Przed osadzeniem lub wyjęciem nożów NIE UŻYWAJ włącznika uruchamiającego. Ryzyko obrażeń!

Noże można wymienić łatwo i szybko bez użycia dodatkowych narzędzi.

1. Jeśli chcesz dokonać wymiany nożów, musisz najpierw zdjąć osłonę (A). Postępuj zgodnie ze wskazówkami przedstawionymi na powyższym rysunku.
  - ☼ Jedną ręką przytrzymaj narzędzie, tak jak pokazano na powyższym rysunku. Wsuń klips (B) kciukiem i palcem wskazującym drugiej ręki do góry.
  - ☼ Przytrzymaj mocno osłonę i ściągnij ją do tyłu.
  - ☼ Zdejmij osłonę do góry.
2. Zdejmij noże i załóż nowe.

**⚠ UWAGA:** Przed osadzeniem osłony NIE UŻYWAJ włącznika uruchamiającego. Ryzyko obrażeń!

1. Podczas zakładania osłony postępuj zgodnie z podanymi wskazówkami, tak jak pokazano na poniższym rysunku.

- ① Załóż osłonę nożów tak, aby zostały wyrównane dwie kreski zaznaczone na górnym rysunku.
- ② Wcisnij osłonę nożów do przodu, dopóki nie dojdzie do zablokowania klipsu we właściwej pozycji.

### Ważne wskazówki bezpieczeństwa dotyczące ładowarki

- \* Przed użyciem ładowarki przeczytaj wszystkie wskazówki i uwagi znajdujące się na ładowarce, akumulatorze i narzędziach.
- \* **NIEBEZPIECZEŃSTWO:** Na stykach ładujących jest 230 V. Nie przykładaj przedmiotów przewodzących. Niebezpieczeństwo poważnego lub śmiertelnego porażenia prądem elektrycznym.
- \* Ładowarka i akumulatory są zaprojektowane tak, aby były kompatybilne. **NIE PRÓBUJ** ładować akumulatora w innej ładowarce niż ta, która została podana w niniejszej instrukcji obsługi.
- \* Nie narażaj ładowarki na działanie deszczu lub śniegu.
- \* Ta ładowarka nie jest przeznaczona do innego użytku niż do ładowania akumulatorów. Jakikolwiek inny sposób jej użycia może spowodować wybuch pożaru lub poważne obrażenia a nawet śmierć na skutek porażenia prądem elektrycznym.
- \* W celu ograniczenia ryzyka uszkodzenia gniazdka elektrycznego lub kabla odłączaj urządzenie od gniazdka poprzez pociągnięcie za wtyczkę a nie za kabel.
- \* Upewnij się, czy kabel jest prowadzony tak, aby nie można było po nim deptać lub potknąć się o niego oraz by nie został uszkodzony lub nadmiernie obciążony.
- \* Wentylację ładowarki zapewniają podłużne otwory znajdujące się w górnej i dolnej części ładowarki. Nie kładź na górną część ładowarki żadnych przedmiotów ani nie kładź ładowarki na takich powierzchniach, które mogłyby zablokować te otwory, co mogłoby spowodować nadmierne podwyższenie temperatury wewnątrz ładowarki. Umieść ładowarkę w dostatecznej odległości od źródeł ciepła.
- \* Nie używaj ładowarki, jeśli doszło do jej uderzenia, upadku lub innego uszkodzenia.
- \* Nie demontuj ładowarki. Konserwację i naprawy ładowarki powierz autoryzowanemu serwisowi lub sprzedawcy. Niewłaściwie dokonany montaż może spowodować wybuch pożaru lub poważne obrażenia a nawet śmierć na skutek porażenia prądem elektrycznym.
- \* W celu ograniczenia ryzyka obrażeń spowodowanych prądem elektrycznym przed czyszczeniem ładowarkę należy zawsze odłączyć od gniazdka sieciowego. Wyjęcie akumulatora z ładowarki nie obniża tego ryzyka.
- \* Nigdy nie próbuj łączyć razem dwu ładowarek.
- \* **NIE PRZECHOWUJ** ani nie używaj urządzenia w miejscach, gdzie temperatura może osiągnąć lub przekroczyć 40 °C (łałem w garażach lub w budynkach z blachy).
- \* Ładowarka jest przeznaczona do użytku ze standardowym napięciem zasilającym w gospodarstwach domowych (230 V). Nie próbuj używać jakiegokolwiek innego napięcia zasilającego!

### Ważne wskazówki bezpieczeństwa dotyczące akumulatora

- \* Po dostawie akumulator nie jest całkowicie naładowany. Najpierw przeczytaj poniższe instrukcje bezpieczeństwa, a następnie przestrzegaj wskazówek i zaleceń dotyczących ładowania.
- \* **PRZECZYTAJ DOKŁADNIE WSZYSTKIE ZALECENIA I ZACHOWAJ JE DO WGLĄDU.**

1. Nie pal akumulatora, nawet jeśli jest mocno uszkodzony lub całkowicie zużyty. Akumulator może w ogniu eksplodować.
2. Przy trudnej pracy lub wysokich temperaturach może dochodzić do wycieku niewielkich ilości elektrolitu z ogniw akumulatora. W takim wypadku nie jest to usterka. Jeśli dojdzie do naruszenia zewnętrznego uszczelnienia i elektrolit wycieknie na skórę, postępuj w następujący sposób:
  - ☼ Umyj się szybko mydłem i wodą.
  - ☼ Neutralizuj zabrudzone miejsce słabym kwasem, jak na przykład kwas cytrynowy lub ocet.
  - ☼ Jeśli elektrolit z akumulatora przedostanie się do oczu, płucz oczy co najmniej przez kilka minut czystą wodą i natychmiast skorzystaj z pomocy lekarza (uwaga dla lekarzy: elektrolit jest 25 - 35 % roztworem wodorotlenku potasu.)
3. Nie łącz ujemnego i dodatniego bieguna akumulatora za pomocą metalowych przedmiotów. Mogłoby dojść do krótkiego spięcia akumulatora, co doprowadziłoby do jego zniszczenia i ewentualnym oparzeniom lub wybuchu pożaru.
4. Ładuj akumulator wyłącznie w ładowarce dostarczonej wraz z tym wyrobem.
5. **UWAGA:** W tym urządzeniu jest zastosowany akumulator typu Li-Ion, w którym nie dochodzi do samowyładowania i efektu pamięciowego.

## 6. WSKAZÓWKI DOTYCZĄCE PRAWIDŁOWEGO UŻYTKOWANIA

1. Ogranicz dostęp dzieci i zwierząt do przestrzeni roboczej.
2. Włączaj silnik wyłącznie wówczas, kiedy ręce i nogi nie znajdują się w pobliżu noży.
3. Korzystaj wyłącznie z wyposażenia zalecanego przez producenta.
4. Jeśli nie używasz narzędzi i akumulatora, przechowuj je oddzielnie wysoko, w suchym, zamkniętym miejscu, z dala od dzieci. Zadbaj o to, aby nie doszło do spięcia kontaktów akumulatora przez metalowe przedmioty, jak np. śruby, gwoździe itd.
5. Podczas pracy z urządzeniem nie używaj nadmiernej siły. Urządzenie wykonuje pracę lepiej i efektywniej, jeśli jest używane do celów, do których jest przeznaczone.
6. Dokonuj starannej konserwacji urządzenia  
Utrzymuj narzędzia tnące ostre i czyste, aby zagwarantować ich lepszą i bezpieczniejszą pracę.  
Przestrzegaj zaleceń dotyczących smarowania i wymiany akcesoriów.
7. Nie pozwól na przypadkowe uruchomienie urządzenia  
Nie przenoś urządzenia mając palce położony na głównym włączniku.

## 7. WSKAZÓWKI DOTYCZĄCE UŻYCIA

### Obsługa

- ☼ Ten produkt nie jest przeznaczony dla dzieci ani dla osób o obniżonych zdolnościach fizycznych, mentalnych lub zmysłowych lub dla osób o ograniczonym doświadczeniu i umiejętnościach, nad którymi nie jest sprawowany nadzór lub którym nie zostały udzielone instrukcje dotyczące używania tego produktu przez osobę odpowiedzialną za ich bezpieczeństwo.

- ✿ Jeśli wyrób będzie używany w pobliżu dzieci, należy zachować szczególną ostrożność. Wyrób należy zawsze umieszczać z dala od dzieci. Dzieci powinny być pod nadzorem zapewniającym, że nie będą się bawić wyrobem.
- ✿ Nigdy nie należy pozwolić pracować z tym urządzeniem dzieciom ani osobom niezapoznanym z niniejszą instrukcją obsługi. Lokalne przepisy mogą określać minimalny wiek użytkownika. Użytkownik jest odpowiedzialny za szkody spowodowane osobom trzecim w obszarze roboczym urządzenia w następstwie jego użytkowania.
- ✿ Nie używaj maszyny, jeśli jesteś zmęczony, pod wpływem alkoholu czy środków odurzających.
- ✿ Jeśli jest to konieczne, skorzystaj ze środków ochrony osobistej (rękawice, obuwie robocze, ochrona wzroku, respiratory itd.).
- ✿ Zabezpiecz wolną odzież, długie włosy czy biżuterię, tak aby nie mogły się wkręcić w ruchome części maszyny.

### Przeznaczenie

- ✿ Akumulatorowe nożyce do trawy i krzewów są przeznaczone do użytku w prywatnych ogrodach.
- ✿ Za urządzenia przeznaczone do użycia w prywatnych ogrodach są uznawane te urządzenia, których roczne użycie z rezerwy nie przekracza 50 godzin pracy i które są przeważnie wykorzystywane do pielęgnacji powierzchni trawiastych, jednak nie w kompleksach publicznych, parkach, obiektach sportowych, rolniczych czy leśnych.
- ✿ Nie używaj wyrobu do innych celów niż te, do których jest przeznaczony.
- ✿ Ze względów bezpieczeństwa urządzenia nie należy używać jako agregatu napędowego do jakichkolwiek innych narzędzi roboczych czy kompletów narzędzi, o ile producent nie wyraził na to jednoznacznej zgody.

### Wskazówki dotyczące użytkowania

- ✿ Włącz maszynę i eksploatuj ją zgodnie z instrukcją obsługi, dokładnie przestrzegając wszystkich zaleceń.
- ✿ Przed wykonaniem jakiegokolwiek kontroli, konserwacji lub naprawy wyjmij kabel ładowarki z gniazdka elektrycznego.
- ✿ Używaj urządzenia w dobrym stanie technicznym oraz do zadań, do których jest przeznaczone.
- ✿ Pracuj wyłącznie przy dobrej widoczności lub zapewnij dostateczne sztuczne oświetlenie.
- ✿ Z wyrobu należy korzystać i przechowywać go poza zasięgiem substancji łatwopalnych i lotnych.
- ✿ Wyrobu nie należy narażać na działanie skrajnych temperatur, bezpośredniego promieniowania słonecznego, nadmiernej wilgoci oraz nie należy go umieszczać w mocno zapyłonym środowisku.
- ✿ Wyrobu nie należy umieszczać w pobliżu grzejników, otwartego ognia i innych urządzeń będących źródłem ciepła.
- ✿ Wyrobu nie należy spryskiwać wodą ani inną cieczą. Do wyrobu nie należy wlewać wody ani innej cieczy. Wyrobu nie należy zanurzać w wodzie ani innej cieczy.
- ✿ Wyrobu nie należy nigdy pozostawiać włączonego bez nadzoru.
- ✿ Nie dotykaj części urządzenia, dopóki nie są całkowicie wyłączone.
- ✿ Przed odstawieniem urządzenia do zamkniętego pomieszczenia, poczekaj, aż silnik wystygnie.
- ✿ W żadnym wypadku nie naprawiaj produktu samodzielnie i nie dokonuj w nim żadnych przeróbek! Wszelkie naprawy i kalibrację tego wyrobu należy powierzyć autoryzowanemu serwisowi lub sprzedawcy. Ingerując w wyrób w okresie gwarancji narażasz się na ryzyko utraty praw do bezpłatnych napraw.

- ☼ Producent nie odpowiada za szkody spowodowane na skutek niewłaściwego użycia wyrobu i jego wyposażenia (zranienia, oparzenia, pożar, zepsucie potraw itp.).
- ☼ Użycie wyposażenia lub akcesoriów nie zalecanych w niniejszej instrukcji może podwyższyć ryzyko obrażeń.
- ☼ Upewnij się, czy użyłeś odpowiedniego akumulatora do tego urządzenia.
- ☼ Przed podłączeniem do ładowarki upewnij się, czy powierzchnia urządzenia i akumulatora jest czysta i sucha.
- ☼ Zadbaj o to, aby akumulator był ładowany za pomocą właściwej ładowarki zalecanej przez producenta. Niewłaściwe użycie może prowadzić do ryzyka porażenia prądem elektrycznym, do przegrzania ładowarki lub wycieku z akumulatora płynu korozyjnego.
- ☼ Powierz naprawę urządzenia wyłącznie wykwalifikowanej osobie
- ☼ To urządzenie zostało wyprodukowane zgodnie z wymogami odpowiednich przepisów bezpieczeństwa. Naprawy powinny być wykonywane wyłącznie przez wykwalifikowane osoby, które będą używać oryginalnych części zamiennych. W innych wypadkach dochodzi do znacznego zagrożenia użytkownika.
- ☼ Likwidacja akumulatora  
Zapewnij bezpieczną likwidację akumulatora zgodnie z zaleceniami producenta.

### Bezpieczeństwo elektryczne

- ☼ Ładowarkę urządzenia akumulatorowego można podłączyć do dowolnego gniazdka posiadającego zabezpieczenie przed wyładowaniami, które zostało zainstalowane zgodnie z normami.
- ☼ Wtyczka musi być zasilana prądem o wartości 230 V ~ 50 Hz.
- ☼ Odtłącz ładowarkę, jeśli nie będziesz jej dalej używać, jeśli dokonujesz wymiany narzędzia lub konserwacji urządzenia.

## 8. KONSERWACJA I PRZECHOWYWANIE

### Konserwacja

**⚠ UWAGA:** Odtłącz ładowarkę, jeśli nie będziesz jej dalej używać, jeśli dokonujesz wymiany narzędzia lub konserwacji urządzenia.

- ☼ Sprawdź, czy urządzenie nie przejawia cech zużycia.
- ☼ Jeśli dojdzie do uszkodzenia ładowarki (obudowa, przewody lub styki), natychmiast zapewnij jej wymianę w autoryzowanym serwisie lub u sprzedawcy.
- ☼ Regularna konserwacja urządzenia zapewnia jego długą żywotność i wydajność
- ☼ Przed użyciem obejrzyj urządzenie i sprawdź, czy któreś z jego części nie są zużyte lub uszkodzone.
- ☼ Wymień uszkodzone lub zużyte części. Aby urządzenie było wyważone, wymieniaj zawsze cały komplet zużytych lub uszkodzonych narzędzi.
- ☼ Zużyte lub uszkodzone części należy wymieniać wyłącznie w autoryzowanym serwisie lub u sprzedawcy.
- ☼ Przed czyszczeniem należy zawsze odłączyć wyrób od źródła energii.
- ☼ Do czyszczenia plastikowych części wyrobu używaj delikatnej ściereczki zwilżonej letnią wodą. Nie używaj agresywnych środków czyszczących, rozcieńczalników lub rozpuszczalników, w przeciwnym wypadku może dojść do uszkodzenia powierzchni wyrobu.
- ☼ Nie czyść urządzenia pod bieżącą wodą ani nie zanurzaj go w wodzie.

- ✿ Po wymianie narzędzia roboczego upewnij się, czy jest ono zabezpieczone w odpowiedniej pozycji.
- ✿ Przed użyciem nożyc należy oczyścić i nasmarować nóż. Jeśli nożyce będą używane nieustannie przez długi okres, smarowania należy dokonać podczas pracy.

### Przechowywanie

- ✿ Przechowuj urządzenie w suchym miejscu w dostatecznej odległości od źródeł ciepła lub niebezpiecznych wyziewów.
- ✿ Nie stawiaj na maszynie żadnych innych przedmiotów.

## 9. DANE TECHNICZNE

Baterie	3,6 V/1300 mAh
Typ akumulatora	Li-ion
Obroty na biegu jałowym	1 000 obr./min.
Długość listwy do krzewów	110 mm
Szerokość listwy do trawy	80 mm
Pojemność akumulatora	1,3 Ah
Czas ładowania	4 godziny
Ciężar	0,6 kg 1,0 kg (z drążkiem teleskopowym - model FZN 4002-AT)
<b>Ładowarka</b>	
Wejściowe napięcie zasilające	230 V ~ 50 Hz
Napięcie wyjściowe	6 V prądu stałego, 500 mA

Zastrzega się możliwość zmiany tekstu i parametrów technicznych.

Zmiany tekstu, designu i danych technicznych mogą być dokonywane bez uprzedniego ostrzeżenia. Zastrzegamy sobie prawo do ich zmiany.



# 10. LIKWIDACJA

## WSKAZÓWKI I INFORMACJE DOTYCZĄCE GOSPODARKI ZUŻYTYM OPAKOWANIEM

Zużyty materiał opakowaniowy należy dostarczyć do punktu przeznaczonego do składowania odpadu, wyznaczonego przez urzędy lokalne.

## UTYLIZACJA ZUŻYTYCH URZĄDZEŃ ELEKTRYCZNYCH I ELEKTRONICZNYCH



Ten symbol, umieszczony na produktach lub w ich dokumentacji, oznacza, że zużytych wyrobów elektrycznych i elektronicznych nie wolno likwidować wraz ze zwykłym odpadem komunalnym. W celu zapewnienia należytej likwidacji, utylizacji i recyklingu tych wyrobów należy przekazać je do wyznaczonych składowisk odpadów. W niektórych krajach Unii Europejskiej lub innych państwach europejskich można zamiast tego zwrócić tego rodzaju wyroby lokalnemu sprzedawcy przy kupnie ekwiwalentnego nowego produktu. Właściwa likwidacja tych produktów pozwoli zachować cenne źródła surowców naturalnych i pomoże w zapobieganiu negatywnemu wpływowi na środowisko naturalne i zdrowie ludzkie, co może spowodować niewłaściwą likwidacją odpadów. Szczegółowych informacji udzielą Państwu urzędy miejskie lub najbliższe składowiska odpadów. W przypadku niewłaściwej utylizacji tego rodzaju odpadu mogą zostać nałożone kary zgodnie z lokalnymi przepisami.

### Dotyczy przedsiębiorców z krajów Unii Europejskiej

Jeśli chcą Państwo likwidować urządzenia elektryczne i elektroniczne, prosimy o uzyskanie potrzebnych informacji od sprzedawcy lub dostawcy wyrobu.

### Likwidacja wyrobów w krajach spoza Unii Europejskiej

Ten symbol obowiązuje w Unii Europejskiej. Jeśli chcą Państwo zlikwidować ten wyrób, prosimy o uzyskanie potrzebnych informacji dotyczących prawidłowego sposobu likwidacji od lokalnych urzędów lub od sprzedawcy.



Ten wyrób spełnia wszystkie podstawowe wymagania dyrektyw UE, które go dotyczą.

Zastrzegamy sobie możliwość dokonywania zmian tekstu, designu i danych technicznych wyrobu bez uprzedzenia.



# Беспроводной бордюрные и шпалерные ножницы РУКОВОДСТВО ПОЛЬЗОВАТЕЛЯ

Благодарим Вас за покупку этих беспроводных ножниц для стрижки травы у бордюров и для вырезания декоративных форм из кустарников. Перед началом эксплуатации внимательно прочитайте данное руководство и сохраните его для справки в дальнейшем.

## СОДЕРЖАНИЕ

ИЛЛЮСТРАЦИИ .....	1
1. ОБЩИЕ ПРАВИЛА ТЕХНИКИ БЕЗОПАСНОСТИ .....	75
Важные уведомления по безопасности	
Упаковка	
Инструкции по эксплуатации	
2. ЭТИКЕТКИ С ИНСТРУКЦИЯМИ.....	76
3. ОПИСАНИЕ И КОМПЛЕКТАЦИЯ.....	77
Описание	
Комплектация	
4. СБОРКА .....	77
Установка и снятие колесной сборки	
Сборка и разборка телескопической стойки	
5. ВВОД В ЭКСПЛУАТАЦИЮ.....	78
Работа устройства	
Работа без телескопической стойки	
Работа с телескопической стойкой	
Работа поворотной головки	
Зарядка устройства	
Включение устройства	
Зарядка устройства	
Важные замечания по технике безопасности для зарядных устройств	
Важные замечания по технике безопасности для аккумуляторов	
6. УКАЗАНИЯ ПО ПРАВИЛЬНОМУ ПРИМЕНЕНИЮ .....	82
7. ИНСТРУКЦИИ ПО ЭКСПЛУАТАЦИИ.....	83
Эксплуатация	
Назначение	
Указания по использованию	
Электробезопасность	
8. ТЕХНИЧЕСКОЕ ОБСЛУЖИВАНИЕ И ХРАНЕНИЕ .....	85
Обслуживание	
Хранение	
9. ТЕХНИЧЕСКИЕ ХАРАКТЕРИСТИКИ .....	86
10. УТИЛИЗАЦИЯ .....	87

# 1. ОБЩИЕ ПРАВИЛА ТЕХНИКИ БЕЗОПАСНОСТИ

## Важные уведомления по безопасности


- ✿ Осторожно распакуйте устройство. Не выбрасывайте части упаковки до того, как проверите комплектность.
- ✿ Храните устройство в сухом недоступном для детей месте.
- ✿ Прочтите все предупреждения и указания. Несоблюдение предупреждений и указаний может привести к поражению электрическим током, пожару и/или серьезным травмам.

## Упаковка

Упаковка изделия обеспечивает его защиту в процессе транспортировки. Данная упаковка является ресурсом и ее можно передать на повторную переработку.

## Инструкции по эксплуатации

Перед началом работы с устройством прочтите следующие инструкции по технике безопасности и эксплуатации. Ознакомьтесь с элементами управления и правильной эксплуатацией устройства. Храните руководство по эксплуатации в надежном месте, чтобы к нему всегда можно было обратиться при необходимости.

 **Примечание:** При передаче устройства другому владельцу следует также отдать руководство по эксплуатации. Для обеспечения правильности использования устройства необходимо соблюдать инструкции из вложенного руководства. Руководство пользователя также содержит инструкции по эксплуатации, обслуживанию и ремонту.

**Производитель не несет никакой ответственности за несчастные случаи или повреждения, причиной которых стало несоблюдение следующих инструкций в данном руководстве.**

## 2. ЭТИКЕТКИ С ИНСТРУКЦИЯМИ



Перед началом работы внимательно прочитайте руководство по эксплуатации.



Во время работы используйте защитные средства.



Во время работы используйте защитные средства.



Осторожно, острые детали! Берегите пальцы рук и ног от повреждений.



Осторожно, продолжает вращаться после выключения!



Остерегайтесь разлетающихся от вращающегося лезвия предметов!



Убедитесь в том, что в радиусе работы нет людей. Минимальное безопасное расстояние 6 м.



Не используйте ножницы вблизи от кабелей, или линий электропередач или телефонных линий. При работе следите за тем, чтобы электрические провода под напряжением проходили на высоте не менее 10 м.



Не выполняйте работу во время дождя и при неблагоприятных погодных условиях.

### Обозначения на зарядном устройстве



Класс защиты II



Храните зарядное устройство в сухом помещении.



В зарядном устройстве есть защитный трансформатор.



Отрицательные полюса

## 3. ОПИСАНИЕ И КОМПЛЕКТАЦИЯ

### Описание (см. рисунок)

- |   |  |
|---|--|
| ① Корпус  | ⑩ Защитный фиксатор для телескопической стойки   |
| ② Поворотная ручка  | ⑪ Дополнительные колеса*                         |
| ③ Переключатель блокировки рукоятки                       | ⑫ Крепежный болт                                 |
| ④ Аварийный выключатель                                   | ⑬ Светодиодный индикатор заряда батареи          |
| ⑤ Главный выключатель                                     | ⑭ Разъем для подключения питания                 |
| ⑥ Сборка лезвия для стрижки травы                         | ⑩ Отверстие для крепления телескопической стойки |
| ⑦ Сборка лезвия для стрижки кустарников                   |  |
| ⑧ Телескопическая стойка*                                 |  |
| ⑨ Блокиратор для настройки высоты телескопической стойки* |  |

\* для модели FZN 4002-AT

### Комплектация

Осторожно распакуйте устройство и проверьте наличие следующих частей:

- |   |                            |
|---|----------------------------|
| * Беспроводной кусторез со сборкой лезвия для стрижки травы в защитной крышке | * Телескопическая стойка*  |
| * Сборка лезвия для стрижки кустарников                                       | * Зарядное устройство      |
| * Колеса*   | * Руководство пользователя |

\* для модели FZN 4002-AT

В случае отсутствия или повреждения каких-либо частей обратитесь к продавцу устройства.

## 4. СБОРКА

1. Продается полностью в собранном виде. Перед работой снимите защитную пластиковую крышку лезвия и сохраните его для того, чтобы установить ее в то время, когда не будете использовать устройство.
2. Перед использованием нужно зарядить аккумулятор. Соблюдайте инструкции при зарядке аккумулятора.
3. Если во время обрезки веток лезвия зажимаются, **НЕМЕДЛЕННО** отпустите курковый переключатель и освободите заблокированный инструмент. Если Вы будете продолжать удерживать курковый переключатель во время зажатия лезвий, это может привести к повреждению двигателя.
4. **ВАЖНО:** Это электроинструмент, очень простой и удобный в использовании. Обратите особое внимание на положение лезвий во время работы с этим инструментом, чтобы избежать травм.

### Установка и снятие колесной сборки (см. рис. 2)

Сдвиньте колесную раму на выступ на ручке и затяните крепежным болтом.

Чтобы снять колесную сборку ослабьте крепежный болт и снимите колесную раму с ручки.

**⚠ ВНИМАНИЕ!** Будьте осторожны, не нажимайте на главный выключатель устанавливая и снимая колеса. Это может привести к серьезным травмам.

### Сборка и разборка телескопической стойки (см. рис. 3)

Задвиньте ручку лезвия так, чтобы она надежно закрепилась в фиксаторе. Предохранительный выключатель и основной выключатель на ручке не будут работать если на инструменте установлена телескопическая стойка.

Чтобы снять телескопическую стойку нажмите на блокиратор и снимите поворотную ручку с устройства.

## 5. ВВОД В ЭКСПЛУАТАЦИЮ

### Работа устройства

**⚠ ВНИМАНИЕ!** Никогда не снимайте или не вмешивайтесь в работу механизма запуска.

Блокиратор включения предупреждает случайный запуск устройства.

### Работа без телескопической стойки

1. Нажмите кнопку разблокировки (1) и выключатель (2).
2. Отпустите кнопку разблокировки (1).

**📖 Примечание:** Если во время использования инструмента светодиодный индикатор (3) горит красным цветом, аккумулятор сел. Немедленно прекратите работу и зарядите аккумулятор в зарядном устройстве, которое входит в комплектацию к инструменту.

### Работа с телескопической стойкой

Длина телескопической стойки регулируется и может быть отрегулирована в соответствии с ростом оператора.


**⚠ ВНИМАНИЕ!** Не используйте основной выключатель инструмента при настройке телескопической стойки. Это может привести к серьезным травмам.

1. Установите телескопическую стойку.
2. Одной рукой удерживайте стойку и ослабьте болт блокировки.
3. Установите нужную высоту ручки и зафиксируйте стойку с помощью болта.

4. Нажмите на блокиратор и нажмите на главный выключатель.
5. После запуска устройства можно отпустить предохранительный выключатель.

### Работа поворотной головки (см. рис. 6)

Крепко держитесь за ручку. Переместите кнопку блокиратора вверх и поверните головку инструмента в нужное положение. Отпустите кнопку блокировки и проверьте, чтобы головка инструмента была надежно закреплена в новом положении.

 **Примечание:** Головку инструмента можно зафиксировать в пяти положениях (-90°, 0°, 90°, 180°).

Поворот под углом в 90° для вертикальной стрижке газонов - см. рис. 7, 10.

Поворот под углом в 180° для стрижке на высоте - см. рис. 8.

Установите высоту для стрижки и тримминга газонов - см. рис. 9.

Оптимальная высота для стрижки газонов 40 и 25мм.

Оптимальная высота для тримминга газонов 80 65 и 40мм.


### Зарядка устройства (см. рис. 11)

Если нужно зарядить аккумулятор подключите блок питания к розетке (230 В ~, 50 Гц) и вставьте разъем зарядного устройства в гнездо в рукоятке устройства. Загорится красный индикатор зарядки. Аккумулятор можно заряжать приблизительно 4 часа. Перед использованием зарядного устройства прочитайте все инструкции по технике безопасности. Ремонт данного продукта не может выполняться пользователем. Внутри зарядного устройства нет деталей, обслуживаемых пользователем. Зарядное устройство можно починить в авторизованном сервисном центре или центре, организованном продавцом, чтобы предупредить повреждение внутренних деталей. Перед зарядкой аккумулятора устройства прочитайте все инструкции данного руководства пользователя в разделе, где описано зарядное устройство.

#### 1. Зарядка

Данные зарядные устройства не требуют настройки и разработаны так, чтобы их использование было максимально простым.

- ✿ Подключите зарядное устройство к инструменту. (Вставьте зарядное устройство в отверстие в ручке).
- ✿ Подключите кабель питания зарядного устройства к розетке. На инструменте загорится индикатор зарядки. Теперь индикатор зарядки будет гореть красным цветом. Это означает, что аккумулятор заряжается.
- ✿ Приблизительно через 4 часа светодиодный индикатор начнет гореть зеленым цветом. Это означает, что аккумулятор полностью заряжен.

 **Примечание:** Блокиратор запуска и кнопка запуска на инструменте не работает во время зарядки.

#### 2. Важные замечания относительно зарядки.

Максимального срока службы аккумулятора можно добиться заряжая его при температуре 18 - 24 С. Не заряжайте аккумулятор при температуре ниже +4,5 °С или выше +40 °С. Это очень важно для того, чтобы избежать повреждений аккумулятора.



- ☼ Во время зарядки зарядное устройство и аккумулятор могут нагреваться. Это нормально и не указывает на какую-либо проблему.
- ☼ По возможности используйте зарядное устройство при комнатной температуре. Чтобы избежать перегрева зарядного устройства не закрывайте аккумулятор и не заряжайте его под прямыми солнечными лучами или около источников тепла.
- ☼ Если аккумулятор недостаточно заряжен:
  - ① подключите лампу или другое устройство к сетевой розетке и проверьте, есть ли напряжение в розетке.
  - ② проверьте, не выключается ли розетка выключателем света, который выключает эту розетку при выключении света.
  - ③ положите зарядное устройство и аккумулятор там, где температура находится в диапазоне 18 - 24 С.
  - ④ если проблемы во время зарядки сохраняются, отремонтируйте зарядное устройство и инструмента в авторизованном сервисном центре или у продавца.
- ☼ Аккумулятор нужно зарядить сразу как только питания будет недостаточно для работы, которую легко выполнять с полностью заряженным аккумулятором. ПРЕКРАТИТЕ использование инструмента в следующих условиях. Соблюдайте инструкции при зарядке аккумулятора.
- ☼ При некоторых условиях, если зарядное устройство подключено к сети открытые контакты зарядного устройства могут быть закорочены посторонними предметами. Никакие электропроводящие материалы, такие как стальная стружка, алюминиевая фольга или другие металлические предметы могут попасть в отверстие зарядного устройства. Всегда отключайте зарядное устройство от сетевой розетки если в нем нет аккумулятора. Перед очисткой зарядного устройства отключите его от сетевой розетки.
- ☼ Не погружайте устройство в воду или какую-либо иную жидкость.
- ☼ **ПРЕДУПРЕЖДЕНИЕ:** Следите за тем, чтобы в зарядное устройство не попадали жидкости. Это может привести к получению электротравмы. Если Вы хотите упростить охлаждение аккумулятора после использования на инструменте не оставляйте зарядное устройство или инструмента в теплом месте, как то металлические сооружения или открытые трейлеры.

## Включение устройства

- ⚠ **ВНИМАНИЕ!** Нажимайте и отпускайте выключатель аккуратно и в соответствии с инструкциями производителя.

Включите заряженное устройство с помощью выключателя (рис. 1, поз. 5). Работа будет отображаться светодиодным индикатором (рис. 1, поз. 1). Выключите устройство, отпустив выключатель, цанга перестанет вращаться.

## Зарядка устройства (см.рис. 12-14)

- ⚠ **ВНИМАНИЕ!** Не используйте выключатель до того, как установите или снимите лезвия. Риск получения травмы!

Лезвия можно легко и быстро поменять без использования каких-либо инструментов.

1. Если Вы хотите поменять лезвия, сначала нужно снять крышку (А). Выполните операции, показанные на рисунке выше.
  - ✿ Одной рукой удерживайте инструмент как показано на рисунке выше. Большим пальцем сдвиньте зажим (В) а указательным пальцем другой руки вверх.
  - ✿ Крепко удерживая крышку потяните ее назад.
  - ✿ Снимите крышку в направлении вверх.
2. Снимите лезвия и установите новые.

**⚠ ВНИМАНИЕ!** Не используйте выключатель до того, как установите крышку лезвий. Риск получения травмы!

1. Чтобы установить крышку выполните операции, показанные на рисунке ниже.
  - ① Установите крышку лезвий так, чтобы совпали две метки как показано на рисунке выше.
  - ② Толкните крышку лезвий вперед, так, чтобы она защелкнулась в нужном положении.

### Важные замечания по технике безопасности для зарядных устройств

- ✿ Перед использованием зарядного устройства прочитайте все инструкции и предупреждения на зарядном устройстве, аккумуляторе и инструменте.
- ✿ **ОПАСНО:** На клеммах зарядного устройства напряжение 230V. Не прикасайтесь к ним электропроводящими предметами. Есть риск серьезного или смертельного поражения электрическим током.
- ✿ Зарядное устройство и аккумулятор специально разработаны для совместной работы. **НЕ ПЫТАЙТЕСЬ** заряжать аккумулятор на другом зарядном устройстве кроме того, что указан в данном руководстве пользователя.
- ✿ Не подвергайте устройство воздействию дождя или снега.
- ✿ Данное зарядное устройство не предназначено для иного использования, кроме как для зарядки аккумуляторов. Это может привести к пожару или смерти от электротравмы.
- ✿ Чтобы свести к минимуму риск повреждения сетевой розетки или кабеля, всегда отключайте его от сети, взявшись за вилку, а не вытягивая за кабель.
- ✿ Следите за тем, чтобы кабель лежал так, чтобы Вы случайно не наступили на него или не споткнулись о него, чтобы не повредить его или каким-либо иным образом не подвергнуть его опасности.
- ✿ В зарядном устройстве есть вентиляционные отверстия в верхней и нижней части зарядного устройства. Не кладите никаких предметов на зарядное устройство и не кладите его на такие поверхности, что могут закрыть эти отверстия, что может привести к увеличению температуры в зарядном устройстве. Храните зарядное устройство на достаточном расстоянии от источников тепла.
- ✿ Не используйте зарядное устройство если оно ударилось обо что-то или если оно упало или было повреждено каким-либо иным образом.
- ✿ Не разбирайте зарядное устройство. Поврежденные части можно отремонтировать или заменить только в уполномоченном сервисном центре или у поставщика. Неправильно выполненная сборка может привести к пожару или серьезной или даже смертельной электротравме.

- ✿ Чтобы свести к минимуму риск получения электротравмы всегда отключайте зарядное устройство от сети перед тем, как почистить его. Снятие аккумуляторов с зарядного устройства не снижает этот риск.
- ✿ Никогда не пытайтесь объединить два зарядных устройства в одно.
- ✿ **НЕ ОСТАВЛЯЙТЕ** или не используйте инструмент в местах, где температура может подняться или превысить 40 °С (в таких местах, как гараж или металлические сооружения в летний период).
- ✿ Зарядное устройство предназначено для использования со стандартными бытовым напряжением (230 В). Не пытайтесь использовать с другим напряжением!

### **Важные замечания по технике безопасности для аккумуляторов**

- ✿ При поставке аккумуляторы полностью заряжены. Сначала прочитайте все инструкции по технике безопасности и соблюдайте эти инструкции во время зарядки.
  - ✿ **ВНИМАТЕЛЬНО ПРОЧИТАЙТЕ ВСЕ ИНСТРУКЦИИ И СОХРАНИТЕ ИХ ДЛЯ ИСПОЛЬЗОВАНИЯ В БУДУЩЕМ.**
1. Не сжигайте аккумулятор даже если он серьезно поврежден или полностью вышел из строя. В огне аккумулятор может взорваться.
  2. При проведении необходимых работ или при высоких температурах возможна небольшая утечка электролита из банок аккумулятора. В этом случае это не является показателем дефекта. Но если повреждено наружное уплотнение и электролит попал на кожу, сделайте следующее:
    - ✿ Быстро промойте пораженный участок водой с мылом.
    - ✿ Нейтрализуйте пораженный участок слабой кислотой, например лимонным соком или уксусом.
    - ✿ Если электролит попал в глаза, промывайте их, по крайней мере, несколько минут чистой водой и немедленно обратитесь за медицинской помощью (информация для врачей: электролит - это 25 - 35 % раствор гидроксида калия)
  3. Не закорачивайте катод и анод аккумулятора металлическими предметами. Это может привести к короткому замыканию аккумуляторов, что может вывести из строя аккумулятор или привести к ожогу или пожару.
  4. Зарядку аккумулятора проводите только на зарядном устройстве, которое идет в комплектации к продукту.
  5. **ПРИМЕЧАЙТЕ:** В этом инструменте используются литий ионные аккумуляторы, которые не могут саморазряжаться и у которых нет эффекта памяти.

## **6. УКАЗАНИЯ ПО ПРАВИЛЬНОМУ ПРИМЕНЕНИЮ**

1. Не допускайте того, чтобы дети и животные находились в рабочей зоне.
2. Включайте двигатель только в том случае, если Ваши руки и ноги не находятся вблизи от лезвий.

3. Используйте только дополнительные принадлежности, рекомендованные производителем.
4. Если инструмент и аккумулятор не используются, хранить их нужно отдельно друг от друга в сухом, приподнятом и закрытом месте, недоступном для детей. Убедитесь в том, что нет никакие металлические предметы, такие как болты, гвозди и т.п. не закорачивают контакты аккумулятора.
5. Не прилагайте излишнее давление к инструменту во время работы. Инструмент лучше и безопаснее выполнит работу, для которой он предназначен.
6. Тщательно проводите обслуживание инструмента  
Срезающий механизм должен содержаться в заостренном и чистом состоянии для обеспечения наилучшей производительности и безопасности. Соблюдайте инструкции по смазке и замене принадлежностей.
7. Предотвращайте ситуации, в которых инструмент может быть случайно включен  
Не переносите инструмент, если палец находится на курковом выключателе.

## 7. ИНСТРУКЦИИ ПО ЭКСПЛУАТАЦИИ

### Эксплуатация

- ✿ Запрещается использовать данное изделие детям и лицам с ограниченными физическими или умственными способностями, а также лицам, не имеющим достаточного опыта, если они не прошли обучение по безопасному использованию изделия или если они не находятся под наблюдением квалифицированного лица, ответственного за их безопасность.
- ✿ Соблюдайте особую осторожность при использовании изделия вблизи от детей. Храните устройство в недоступном для детей месте. Следите за тем, чтобы дети не играли с устройством.
- ✿ Не допускайте к работе с устройством детей и лиц, не ознакомившимся с содержанием этого руководства по эксплуатации. Минимальный возраст пользователя может устанавливаться местным законодательством. Пользователь несет ответственность за ущерб, нанесенный третьей стороне в результате использования устройства.
- ✿ Запрещается использовать устройство в состоянии алкогольного или наркотического опьянения, а также усталости.
- ✿ При необходимости, используйте средства индивидуальной защиты (перчатки, рабочую обувь, средства защиты глаз, респиратор и т. п.).
- ✿ Закрепляйте свободную одежду, длинные волосы или ювелирные украшения, чтобы они не попали в движущиеся части пылесоса.

### Назначение

- ✿ Беспроводные бордюрные и шпалерные ножницы предназначены для использования в частных садах.
- ✿ Инструменты, предназначенные для использования в частных садах, являются устройствами, эксплуатация которых не превышает 50 часов в год и которые преимущественно используются для стрижки лужаек, но не используются в общественных учреждениях, парках, на спортивных площадках, а также в сельском или лесном хозяйстве.

- ✿ Запрещается использовать устройство в иных целях.
- ✿ По соображениям безопасности, запрещается использовать пылесос в качестве приводного двигателя для других рабочих инструментов и наборов инструментов без получения специального разрешения от производителя.

### **Указания по использованию**

- ✿ Включать и работать с устройством следует в полном соответствии со всеми приведенными здесь инструкциями.
- ✿ Перед выполнением любых проверок, обслуживания или ремонта отсоедините кабель зарядного устройства от электросети.
- ✿ Используйте инструменты в хорошем состоянии для выполнения задач, для которых они предназначены.
- ✿ Работайте только в условиях хорошей видимости. При необходимости обеспечьте достаточное искусственное освещение.
- ✿ Во время хранения и использования изделия следите за тем, чтобы поблизости отсутствовали легковоспламеняющиеся или быстро испаряющиеся вещества.
- ✿ Не допускайте воздействия на устройство слишком высоких или низких температур, а также прямых солнечных лучей или повышенной влажности. Не используйте его в условиях сильной запыленности.
- ✿ Не устанавливайте устройство поблизости от нагревательных приборов, источников открытого огня или других источников тепла.
- ✿ Не распыляйте на устройство воду или какую-либо иную жидкость. Избегайте проливания на него воды или какой-либо иной жидкости. Не погружайте устройство в воду или какую-либо иную жидкость.
- ✿ Никогда не оставляйте включенное устройство без присмотра.
- ✿ Запрещается дотрагиваться до каких-либо движущихся частей устройства, если они не остановлены полностью.
- ✿ Перед помещением устройства на хранение в замкнутое помещение дайте электродвигателю остыть.
- ✿ Ни при каких обстоятельствах не пытайтесь самостоятельно отремонтировать данный продукт или изменять его конструкцию! Все ремонтные и регулировочные работы с изделием должны выполняться уполномоченным сервисным центром или поставщиком. Попытки самостоятельного ремонта устройства во время срока действия гарантии могут привести к ее аннулированию.
- ✿ Производитель не несет ответственности за ущерб в результате неправильного использования изделия или его принадлежностей. Такой ущерб включает в себя порчу продовольствия, травмы, ожоги, пожар и т. п.
- ✿ Использование принадлежностей или насадок, не рекомендованных в данном руководстве пользователя, может повысить риск нанесения травм.
- ✿ Убедитесь в том, что на инструменте Вы используете соответствующие аккумуляторы.
- ✿ Перед подключением зарядного устройства обратите внимание на то, чтобы поверхность инструмента и аккумулятора были чистыми и сухими.

- ✿ Следите за тем, чтобы аккумулятор заряжался только на соответствующей зарядном устройстве, рекомендованном производителем. Неправильное использование может привести к риску поражения электрическим током, перегреванию аккумулятора или утечки электролита.
- ✿ Ремонтуйте инструмент только у квалифицированного специалиста
- ✿ Этот инструмент изготовлен в соответствии с требованиями соответствующих стандартов безопасности. Ремонт должен выполняться только квалифицированными лицами, использующими оригинальные запасные части. В противном случае пользователь может подвергаться большой опасности.
- ✿ Утилизация использованных аккумуляторов  
Следите за тем, чтобы аккумуляторы утилизировались в соответствии с инструкциями производителя.

### Электробезопасность

- ✿ Зарядное устройство беспроводных бордюрных и шпалерных ножниц можно подключать к любой розетке, предотвращающей разряд и установленной согласно действующим правилам.
- ✿ Напряжение питания розетки должно составлять 230 В ~, 50 Гц.
- ✿ Отсоедините зарядное устройство от розетки, если оно не будет использоваться в течение продолжительного времени, если нужно сменить инструмент или выполнить обслуживание инструмента.

## 8. ТЕХНИЧЕСКОЕ ОБСЛУЖИВАНИЕ И ХРАНЕНИЕ

### Обслуживание

- ⚠ **ВНИМАНИЕ!** Отсоедините зарядное устройство от розетки, если оно не будет использоваться в течение продолжительного времени, если нужно сменить инструмент или выполнить обслуживание инструмента.
- ✿ Осмотрите устройство на наличие признаков износа.
- ✿ Если зарядное устройство (крышка, проводники или разъем) повреждено, немедленно замените его в сервисном центре или у поставщика.
- ✿ Регулярный уход за устройством необходим для обеспечения его продолжительного срока службы и эффективности работы
- ✿ Перед использованием визуально проверьте наличие изношенных или поврежденных частей.
- ✿ Заменяйте поврежденные или изношенные части. Для обеспечения постоянного баланса устройства заменяйте изношенные или поврежденные инструменты как один комплект.
- ✿ Изношенные или поврежденные части устройства можно заменить только в уполномоченном сервисном центре или у поставщика.

- ✿ Перед очисткой отключите устройство от сети питания.
- ✿ Для очистки пластиковых частей воспользуйтесь мягкой тканью, смоченной в теплой воде. Не используйте сильнодействующие химические вещества и растворители, которые могут повредить поверхность устройства.
- ✿ Не промывайте устройство под проточной водой. Также запрещается погружать его в воду.
- ✿ После замены рабочего инструмента убедитесь, что он закреплен в положении хранения.
- ✿ После каждого использования ножниц лезвия нужно очистить и смазать. Если ножницы используются продолжительное время без перерывов, раз в неделю нужно выполнять смазку.

### Хранение

- ✿ Храните инструмент в сухом месте на достаточном расстоянии от источников тепла и опасных испарений.
- ✿ Не помещайте прочие предметы на устройство.

## 9. ТЕХНИЧЕСКИЕ ХАРАКТЕРИСТИКИ

Батарея	3,6 В, 1300 мАч
Тип аккумулятора	Литий ионные
Скорость холостого хода	1 000 об/мин
Длина лезвия для стрижки кустарников	110 мм
Ширина лезвия для стрижки травы	80 мм
Емкость аккумулятора	1,3 Ач
Время зарядки	4 часа
Масса	0,6 кг 1,0 кг (с телескопической стойкой - модель FZN 4002-AT)
<b>Зарядное устройство</b>	
Входное напряжение зарядки	230 В ~ 50 Гц
Выходное напряжение	6 В, постоянный ток, 500 мА

Мы оставляем за собой право вносить изменения в текст и технические характеристики.

Текст, дизайн и технические характеристики могут меняться без предварительного уведомления.

# 10. УТИЛИЗАЦИЯ

## ИНСТРУКЦИИ ПО УТИЛИЗАЦИИ ИСПОЛЬЗОВАННОГО УПАКОВОЧНОГО МАТЕРИАЛА

Упаковочный материал необходимо утилизировать только в специально отведенных местах для сбора мусора.

## ИНСТРУКЦИИ ПО УТИЛИЗАЦИИ ЭЛЕКТРИЧЕСКОГО И ЭЛЕКТРОННОГО ОБОРУДОВАНИЯ



Данное обозначение на изделии или на оригинальной документации к нему означает, что отработавшее электрическое и электронное оборудование не следует выбрасывать вместе с обычными бытовыми отходами. Следует передать его в специализированные центры сбора отходов для утилизации и повторной переработки. Кроме того, в некоторых странах Европейского Союза отработавшие изделия можно вернуть по месту приобретения при покупке аналогичного нового продукта. Правильная утилизация данного изделия позволит сохранить ценные природные ресурсы и предотвратить вредное воздействие на окружающую среду. Дополнительную информацию можно получить, обратившись в местную информационную службу или в центр сбора и утилизации отходов. В соответствии с местным законодательством, неправильная утилизация отходов данного типа может повлечь за собой наложение штрафа.

### Для предприятий стран ЕС

Для получения информации о правильной утилизации электрического или электронного оборудования обратитесь в пункт розничной или оптовой продажи.

### Утилизация оборудования в других странах, не входящих в состав ЕС

Данный символ действителен на территории Европейского Союза. Для получения информации об утилизации данного продукта обратитесь в местную справочную службу или по месту его приобретения. Данное изделие соответствует требованиям ЕС по электромагнитной совместимости и электробезопасности.



Данный продукт соответствует всем соответствующим основным стандартам ЕС.

Мы сохраняем за собой право вносить изменения в текст, конструкцию и технические характеристики без предварительного уведомления.



# Belaidė žoliapjovė ir krūmapjovė

## NAUDOJIMO INSTRUKCIJA

**Ačiū, kad įsigijote šią belaidę žoliapjovę, skirtą vejų pakraščiams pjauti ir gyvatvorėms formuoti. Prieš pradėdami naudoti šį gaminį, atidžiai perskaitykite šią naudojimo instrukciją ir išsaugokite ją, kad galėtumėte ja pasinaudoti ateityje.**

## TURINYS

ILIUSTRUOTAS PRIEDAS.....	1
1. BENDROSIOS SAUGOS TAISYKLĖS .....	89
Svarbus įspėjimas dėl saugos	
Pakuotė	
Naudojimo instrukcija	
2. ANT PRIETAISO ESANČIŲ ĮSPĖJAMŲJŲ ŽENKLŲ PAAIŠKINIMAS .....	90
3. PRIETAISO APRAŠYMAS IR PAKUOTĖS TURINYS .....	91
Prietaiso aprašymas	
Pakuotės sudėtis	
4. PRIETAISO SURINKIMAS .....	91
Ratukų mechanizmo montavimas ir nuėmimas	
Sustumiamo strypo montavimas ir nuėmimas	
5. PARUOŠIMAS NAUDOJIMUI.....	92
Prietaiso naudojimas	
Naudojimas be sustumiamo strypo	
Naudojimas su sustumiamu strypu	
Pasukamos galvutės funkcija	
Prietaiso įkrovimas	
Prietaiso įjungimas	
Prietaiso įkrovimas	
Svarbūs nurodymai dėl kroviklių saugos	
Svarbūs nurodymai dėl akumuliatoriaus saugos	
6. NURODYMAI, KAIP TINKAMAI NAUDOTI ĮRANKĮ.....	96
7. NAUDOJIMO INSTRUKCIJA.....	96
Naudojimas	
Naudojimo paskirtis	
Naudojimo instrukcija	
Elektros sauga	
8. TECHNINĖ PRIEŽIŪRA IR LAIKYMAS .....	98
Techninė priežiūra	
Saugojimas	
9. TECHNINIAI DUOMENYS.....	99
10. SENO PRIETAISO IŠMETIMAS .....	100

# 1. BENDROSIOJOS SAUGOS TAISYKLĖS

## Svarbus įspėjimas dėl saugos


- ✿ Atsargiai išpakuokite šį gaminį ir jokiais būdais neišmeskite jokios pakuotės dalies tol, kol neįsitikinsite, kad radote visas šio gaminio sudedamąsias dalis.
- ✿ Laikykite prietaisą sausoje, vaikams nepasiekiamoje vietoje.
- ✿ Perskaitykite visus įspėjimus ir nurodymus. Nesivadovaujant šiais įspėjimais arba nurodymais, galima patirti elektros smūgį, sukelti gaisrą ir (arba) patirti sunkių sužeidimų.

## Pakuotė

Šis gaminys įdėtas į pakuotę, kuri apsaugo jį nuo pažeidimų vežant. Šią pakuotę galima perdirbti ir panaudoti pakartotinai.

## Naudojimo instrukcija

Prieš pradėdami naudoti šį akumuliatorinį gręžtuvą, perskaitykite toliau pateiktas saugos taisykles ir naudojimo instrukciją. Susipažinkite su valdikliais ir išmokite tinkamai naudoti prietaisą. Laikykite šį vartotojo vadovą saugioje, lengvai pasiekiamoje vietoje, kad juo galima būtų pasinaudoti ir vėliau.

 **PASTABA:** Jeigu šį prietaisą kam nors perduosite, kartu atiduokite ir naudojimo instrukciją. Norint tinkamai naudoti šį prietaisą, būtina vadovautis šioje naudojimo instrukcijoje pateiktais nurodymais. Šioje naudojimo instrukcijoje taip pat pateikiami nurodymai, kaip šį gaminį naudoti, techniškai prižiūrėti ir remontuoti.

**Gamintojas neprisima jokios atsakomybės už nelaimingus atsitikimus arba žalą, patirtą nesilaikant šioje instrukcijoje pateiktų nurodymų.**

## 2. ANT PRIETAISO ESANČIŲ ĮSPĖJAMŪJŲ ŽENKLŲ PAAIŠKINIMAS



Prieš pradėdami naudoti, atidžiai perskaitykite šią naudojimo instrukciją.



Dirbdami naudokite saugos priemones.



Dirbdami mėvėkite apsauginius batus.



Atsargiai: įrenginyje yra aštrių dalių! Saugokite rankų ir kojų pirštus nuo sužalojimo.



Pavojus, kol išjungto prietaiso dalys nesustoja!



Saugokitės daiktų, kuriuos sviedžia besisukantys peiliai!



Įsitinkinkite, kad darbo zonoje nėra jokių žmonių. Minimalus saugus atstumas yra 6 m.



Nenaudokite žoliapjovės netoli kabelių, elektros arba telefono linijų. Dirbdami išlaikykite bent 10 m atstumą virš įžemintų elektros linijų, kuriomis teka elektros srovė.



Nedirbkite lietuį lyjant arba esant nepalankioms oro sąlygoms.

### Ant kroviklio pažymėti ženklai



II apsaugos klasė



Kroviklį naudokite tik sausoje patalpoje.



Kroviklyje įrengtas apsauginis transformatorius.



Neigiami poliai

## 3. PRIETAISO APRAŠYMAS IR PAKUOTĖS TURINYS

**Prietaiso aprašymas** (žr. pateiktą paveikslėlį)

- |   |  |
|---|--|
| ① Prietaiso korpusas  | ⑩ Apsauginis fiksatorius sustumiamam vamzdžiui tvirtinti |
| ② Sukiojama rankena   | ⑪ Pasirenkamas priedas – ratukai*                        |
| ③ Rankenos pasukimo jungiklis                               | ⑫ Tvirtinimo varžtas                                     |
| ④ Saugos jungiklis  | ⑬ Akumuliatoriaus krovimo kontrolinė lemputė             |
| ⑤ Pagrindinis elektros jungiklis                            | ⑭ Maitinimo lizdas                                       |
| ⑥ Peilių mechanizmas žolei pjauti                           | ⑩ Anga sustumiamam vamzdžiui tvirtinti                   |
| ⑦ Peilių mechanizmas krūmams genėti                         |  |
| ⑧ Sustumiamas strypas*                                      |  |
| ⑨ Fiksavimo jungiklis sustumiamo strypo aukščiui nustatyti* |  |

\* modeliui FZN 4002-AT

### Pakuotės sudėtis

Atsargiai išimkite gaminį iš pakuotės ir patikrinkite, ar joje yra visos šios dalys:

- ✿ Belaidė žoliapjovė su peilių mechanizmu ir apsauginiu gaubtu žolei pjauti
- ✿ Peilių mechanizmas krūmams genėti
- ✿ Ratukai\*
- ✿ Sustumiamas strypas\*
- ✿ Akumuliatoriaus kroviklis
- ✿ Vartotojo vadovas

\* modeliui FZN 4002-AT

Jeigu kokių nors dalių trūksta arba jos apgadintos, susisiekite su pardavėju, iš kurio pirkote šį prietaisą.

## 4. PRIETAISO SURINKIMAS

1. Gaminys yra visiškai sumontuotas. Prieš naudojimą nuimkite apsauginį plastikinį peilių gaubtą ir padėkite jį, kad galėtumėte jį vėl uždėti, kai gaminio nenaudosite.
2. Prieš naudojimą reikia įkrauti akumuliatorių. Vadovaukitės nurodymais, kaip įkrauti akumuliatorių.
3. Jeigu genėjant šakas peiliai užstrigtų, NEDELSDAMI atleiskite svirtinį jungiklį ir atlaisvinkite užstrigusį įrankį. Jeigu peiliams užstrigus svirtinio jungiklio neatleisite, sugadinsite variklį.
4. **SVARBU:** Šį elektrinį įrankį labai lengva ir patogiu naudoti. Dirbdami su šiuo įrankiu, atkreipkite ypatingą dėmesį į peilių padėtį, kad nesusižeistumėte.

**Ratukų mechanizmo montavimas ir nuėmimas** (žr. 2 pav.)

Užmaukite ratukų korpusą ant rankenos iškyšos ir priveržkite tvirtinimo varžtu.

Ratukų mechanizmą norėdami nuimti, atsukite tvirtinimo varžtą ir nuimkite ratukų korpusą nuo rankenos.

**⚠ DĖMESIO:** Montuodami arba nuimdami ratukus, būkite atsargūs, kad nepaspaustumėte pagrindinio jungiklio. Kitaip galima sunkiai susižaloti.

**Sustumiamo strypo montavimas ir nuėmimas** (žr. 3 pav.)

Istumkite į peilių rankeną, kad jis būtų tvirtai užfiksuotas fiksaoriumi. Stabdiklis ir pagrindinis jungiklis, esantis ant rankenos, neveiks, jeigu sustumiamas strypas bus sumontuotas ant įrankio.

Sustumiamą strypą norėdami nuimti, paspauskite fiksaorių ir nuimkite pasukamą rankeną nuo prietaiso.

## 5. PARUOŠIMAS NAUDOJIMUI

**Prietaiso naudojimas**

**⚠ DĖMESIO:** Niekada nepašalinkite ir nesugadinkite šios paleidimo mechanizmo funkcijos.

Apsauginis paleidimo fiksaorius apsaugo prietaisą nuo netyčinio įjungimo.

**Naudojimas be sustumiamo strypo**

1. Paspauskite atlaisvinimo mygtuką (1) atgal ir paspauskite jungiklį (2).
2. Atleiskite atlaisvinimo mygtuką (1).

**📖 PASTABA:** Jeigu naudojant prietaisą užsidega raudona kontrolinė lemputė (3), išsikrovė akumuliatorius. Nedelsdami nutraukite darbą ir įkraukite akumuliatorių su šiuo prietaisu pateiktu krovikliu.

**Naudojimas su sustumiamu strypu**

Sustumiamo strypo ilgį galima reguliuoti ir nustatyti pagal naudotojo ūgį.

**⚠ DĖMESIO:** Reguliudami sustumiamą rankeną, nespauskite prietaiso pagrindinio jungiklio. Kitaip galima sunkiai susižaloti.

1. Pritvirtinkite sustumiamą strypą.
2. Viena ranka laikydami strypą, kita ranka atsukite stabdiklį.
3. Nustatykite norimą rankenos aukštį ir vėl užtvirtinkite strypą reguliavimo varžtu.
4. Paspauskite fiksaorių ir pagrindinį jungiklį.
5. Prietaisui veikiant, galite atleisti apsauginį jungiklį.

## Pasukamos galvutės funkcija (žr. 6 pav.)

Tvirtai suimkite už rankenos. Pakelkite fiksavimo mygtuką aukštyn, paskui pasukite prietaiso galvutę į norimą padėtį. Atleiskite fiksavimo mygtuką ir patikrinkite, ar prietaiso galvutė tinkamai užfiksuota naujoje padėtyje.

 **PASTABA:** Prietaiso galvutę galima užfiksuoti penkiose padėtyje (-90°, 0°, 90°, 180°).

Pasukta 90° kampu vertikalias vejų pjovimui – žr. (7, 10 pav.)

Pasukta 180° kampu pjovimui aukštai – žr. 8 pav.

Aukščio nustatymas vejų pjovimui ir karpymui – žr. 9 pav.

Tinkamas aukštis vejoms pjauti yra 40 ir 25 mm.

Tinkamas aukštis vejoms karpyti yra 80, 65 ir 40 mm.

## Prietaiso įkrovimas (žr. 11 pav.)

Jeigu norite įkrauti akumuliatorių, įjunkite adapterį į elektros lizdą (230 V ~ 50 Hz) ir įkiškite kroviklio jungtį į prietaiso rankenoje esančią angą. Užsidegs raudona krovimo kontrolinė lemputė. Akumuliatorius įkraunamas maždaug per 4 valandas. Prieš pradėdami naudoti akumuliatorių, būtinai perskaitykite visus saugos nurodymus. Naudotojas negali taisyti šio gaminio. Šio kroviklio viduje nėra dalių, kurias naudotojas galėtų techniškai prižiūrėti ar taisyti. Kroviklį privalo taisyti įgaliotasis techninio aptarnavimo centras arba remontą privalo organizuoti pardavėjas, kad nebūtų sugadintos vidinės sudedamosios dalys. Prieš pradėdami krauti prietaiso akumuliatorių, perskaitykite visus nurodymus, pateiktus naudojimo instrukcijos skyriuje apie kroviklį.

### 1. Akumuliatoriaus krovimo procedūra

Šių kroviklių nereikia niekaip reguliuoti; jie pagaminti taip, kad juos naudoti būtų kaip įmanoma paprasčiau.

- ✿ Prijunkite kroviklį prie prietaiso. (Įkiškite jį į rankenoje esančią angą krovikliui).
- ✿ Įjunkite kroviklio maitinimo laido kištuką į elektros lizdą. Užsidega prietaise esantis kontrolinė krovimo lemputė. Kontrolinė krovimo lemputė švies raudonai. Tai reiškia, kas akumuliatorius yra kraunamas.
- ✿ Maždaug po 4 valandų kontrolinė lemputė ims šviesti žaliai. Tai reiškia, kas akumuliatorius visiškai įkrautas.

 **PASTABA:** Krovimo metu prietaiso įjungimo apsauginis fiksatorius ir įjungimo mygtukas neveikia.

### 2. Svarbios pastabos dėl akumuliatoriaus krovimo.

Akumuliatorius veiks ilgiausiai ir geriausiai, jeigu jis bus kraunamas esant 18 – 24 °C temperatūrai. Nekraukite akumuliatoriaus esant žemesnei nei +4,5 °C arba aukštesnei +40 °C temperatūrai. Tai labai svarbi sąlyga, norint apsaugoti akumuliatorių nuo pagrindinio gedimo.

- ✿ Krovimo metu akumuliatorius ir kroviklis gali įkaisti. Tai normalus reiškinys, kuris nereiškia jokio gedimo.
- ✿ Kai tik įmanoma, naudokite kroviklį esant įprastai kambario temperatūrai. Norėdami apsaugoti kroviklį nuo perkaitimo, neuždenkite akumuliatoriaus ir nekraukite jo tiesioginiais saulės spinduliais apšviestoje vietoje arba šalia šilumos šaltinių.
- ✿ Jeigu akumuliatorius įkraunamas nefinkamai:

- ① Įjunkite į elektros lizdą lempą arba kokį nors kitą prietaisą, kad patikrintumėte, ar lizde yra elektros srovė.
- ② patikrinkite, ar lizdas valdomas šviesos įjungimo jungikliu, kuris nutraukia lizdo maitinimą, kai šviesa išjungta.
- ③ padėkite kroviklį ir akumuliatorių tokioje vietoje, kurioje yra maždaug 18 – 24 °C temperatūra.
- ④ jeigu krovimo problemų išspręsti nepavyktų, atiduokite kroviklį ir prietaisą į įgaliotąjį techninio aptarnavimo centrą arba pardavėjui.

- ✿ Akumuliatorių reikia įkrauti tada, kai prietaisas pradeda veikti ne tokiu pajėgumu, kokiu jis veikė, kai akumuliatorius buvo visiškai įkrautas. NEBENAUDOKITE prietaiso esant šioms sąlygoms. Vadovaukitės pateiktais nurodymais, kaip įkrauti akumuliatorių.
- ✿ Esant tam tikroms sąlygoms, įjungus kroviklį į elektros tinklą, neapsaugotus, kroviklio viduje esančius krovimo gnybtus gali sujungti trumpuoju jungimu pašaliniai daiktai. Į kroviklio lizdą neturi patekti jokių laidžių medžiagų, pavyzdžiui, plieno vatos, aliuminio folijos arba kitų metalinių daiktų. Visada atjunkite kroviklį nuo elektros tinklo lizdo, kai akumuliatorius į kroviklį neįdėtas. Prieš valydami kroviklį, visada atjunkite jį nuo elektros lizdo.
- ✿ Nepanardinkite kroviklio į vandenį arba kokį nors kitą skystį.
- ✿ **ISPĖJIMAS:** Neleiskite, kad į kroviklį patektų skysčio. Galite būti sužaloti dėl kilusio elektros smūgio. Jeigu norite, kad ilgai prietaise naudotas akumuliatorius greičiau atvėstų, nedėkite kroviklio arba įrankio šiltoje vietoje, pavyzdžiui, metaliniuose pastatuose arba atvirose priekabose.

## Prietaiso įjungimas

**⚠ DĖMESIO:** Įjungimo jungiklį įjunkite arba išjunkite atsargiai, pagal gamintojo nurodymus.

Įjunkite įkrautą prietaisą, paspausdami įjungimo/išjungimo jungiklį (1 pav., Nr. 5). Veikimas bus rodomas diodiniame ekrane (1 pav., Nr. 1). Norėdami prietaisą išjungti, atleiskite jungiklį ir griebtuvą liausis suktis.

## Prietaiso įkrovimas (žr. 12–14 pav.)

**⚠ DĖMESIO:** Nespauskite įjungimo mygtuko, prieš uždėdami arba nuimdami peilius. Pavojus susižaloti!

Peilius galima greitai ir lengvai pakeisti, nenaudojant jokių įrankių.

1. Norint pakeisti peilius, pirmiausiai privaloma nuimti gaubtą (A). Atlikite veiksmus, pavaizduotus pirmiau esančiame paveikslėlyje.
  - ✿ Laikykite prietaisą viena ranka, kaip parodyta pirmiau esančiame paveikslėlyje. Kitos rankos nykščiu ir rodomuoju pirštu patraukite spaustuką (B) aukštyn.
  - ✿ Tvirtai laikykite gaubtą ir atitraukite jį atgal.
  - ✿ Atidenkite gaubtą aukštyn.
2. Nuimkite peilius ir uždėkite naujus peilius.

**⚠ DĖMESIO:** Nespauskite įjungimo mygtuko, prieš uždėdami peilių gaubtus. Pavojus susižaloti!

1. Norėdami uždėti gaubtą, atlikite veiksmus, pavaizduotus toliau esančiame paveikslėlyje.
  - ① Uždenkite peilių gaubtą taip, kad būtų sutapdintos dvi žymės, kaip parodyta pirmiau esančiame paveikslėlyje.
  - ② Stumkite peilių gaubtą pirmyn, kol jis bus tinkamai užtvirtintas spaustukais.

### Svarbūs nurodymai dėl kroviklių saugos

- ✿ Prieš pradėdami naudoti kroviklį, perskaitykite visus nurodymus ir įspėjimus, esančius ant kroviklio, akumuliatoriaus ir prietaiso.
- ✿ **PAVOJUS:** Kroviklio gnybtuose yra 230 V įtampa. Nelieskite jų laidžiais daiktais. Sužeidimo arba mirties dėl elektros smūgio pavojus.
- ✿ Kroviklis ir akumuliatoriaus specialiai pagaminti naudoti kartu. **NEMĖGINKITE** krauti akumuliatoriaus kitokiu krovikliu nei tas, kuris yra nurodytas šioje naudojimo instrukcijoje.
- ✿ Saugokite kroviklį nuo lietaus arba sniego.
- ✿ Šis kroviklis nėra skirtas jokiems kitiems akumuliatoriams krauti, išskyrus daugkartinio naudojimo akumuliatorius. Naudojant jį ne pagal paskirtį, gali įvykti elektros smūgis, dėl kurio gali kilti gaisras, o taip pat galite būti sunkiai sužaloti arba žūti.
- ✿ Norėdami sumažinti elektros kištuko arba kabelio sugadinimo riziką, išjungdami prietaisą, visada traukite už kištuko, o ne kabelio.
- ✿ Kabelį būtinai nutieskite tokioje vietoje, kur ant jo niekas negalėtų užlipti, už jo užkliūti arba kitaip jį pažeisti arba įtempti.
- ✿ Kroviklis vėdinamas pro ventiliacijos angas, esančias kroviklio viršuje ir apačioje. Nedėkite ant kroviklio jokių daiktų ir nestatykite kroviklio ant tokių paviršių, kurie galėtų uždengti šias angas, kitaip kroviklis pernelyg įkais. Laikykite kroviklį pakankamu atstumu nuo šilumos šaltinių.
- ✿ Nenaudokite kroviklio, jeigu jis buvo kuo nors sutrenktas arba jeigu jis buvo nukritęs arba pažeistas koku nors kitu būdu.
- ✿ Neardykite kroviklio. Kroviklį gali remontuoti arba techniškai prižiūrėti tik įgijotasis techninio aptarnavimo centras arba pardavėjas. Netinkamai atlikus montavimo darbus, gali įvykti elektros smūgis, dėl kurio gali kilti gaisras, o taip pat galite būti sunkiai sužaloti arba žūti.
- ✿ Norėdami sumažinti elektros smūgio pavojų, prieš valydami kroviklį, visada atjunkite jį nuo elektros tinklo lizdo. Išėmus akumuliatorių iš kroviklio, pavojus nesumažėja.
- ✿ Niekada nebandykite sujungti dviejų kroviklių į vieną.
- ✿ **NELAIKYKITE** ir nenaudokite prietaiso ten, kur temperatūra gali viršyti 40 °C (garažuose arba metaliniuose pastatuose vasaros metu).
- ✿ Kroviklis numatytas naudoti jungiant jį prie standartinės įtampos elektros lizdo (230 V). Nemėginkite jungti į kitokios įtampos tinklą!

### Svarbūs nurodymai dėl akumuliatoriaus saugos

- ✿ Akumuliatorius pristatomas visiškai įkrautas. Pirmiausiai perskaitykite toliau pateiktus saugos nurodymus ir vadovaukitės instrukcija bei nurodymais, kaip įkrauti akumuliatorių.
  - ✿ **ATIDŽIAI PERSKAITYKITE VISĄ INSTRUKCIJĄ IR PADĖKITE JĄ SAUGIOJE VIETOJE, KAD GALĖTUMĖTE JA PASINAUDOTI VĒLIAU.**
1. Nedeginkite akumuliatoriaus, net jeigu jis smarkiai sugadintas arba visiškai išseikvotas. Ugnyje akumuliatorius gali sprogti.
  2. Intensyviai dirbant arba esant aukštai temperatūrai, iš akumuliatoriaus elementų gali ištekėti šiek tiek skysčio. Tokiu atveju tai nėra defektas. Visgi jeigu būtų pažeista išorinė izoliacija ir skysčio patektų ant odos, atlikite šiuos veiksmus:
    - ✿ Greitai nusiprauskite muilu ir vandeniu.
    - ✿ Neutralizuokite pažeistą vietą silpna rūgštimi, pavyzdžiui, citrinos sultimis arba actu.



- ☛ Jeigu akumulatoriaus skysčio patektų į akis, plaukite akis bent kelias minutes švariu vandeniu ir tuoj pat kreipkitės į gydytoją (informacija gydytojams: šis skystis yra 25–35 % kalio hidroksido tirpalas)
- 3. Nesujunkite akumulatoriaus katodų ir anodų metaliniais daiktais. Kitaip kils trumpasis akumulatoriaus grandinės jungimas, dėl kurio akumulatorius gali sugesti, apdegti arba užsilipti ir sukelti gaisrą.
- 4. Kraukite akumuliatorių tik su šiuo gaminiu pateiktu krovikliu.
- 5. **PASTABA:** Šiame prietaise naudojamas ličio jonų tipo akumulatorius, kuris savaime neįsikrauna ir neturi atminties funkcijos.

## 6. NURODYMAI, KAIP TINKAMAI NAUDOTI ĮRANKĮ

1. Neleiskite į darbo vietą vaikų ir gyvūnų.
2. Variklį junkite tik tada, kai jūsų rankos ir kojos yra atokiai nuo peilių.
3. Naudokite tik gamintojo rekomenduojamas atsargines dalis ir priedus.
4. Jeigu prietaiso ir akumulatoriaus nenaudojate, juos reikia laikyti atskirai sausoje, aukštai esančioje, rakinamoje, vaikams nematomoje ir nepasiekiamoje vietoje. Įsitikinkite, kad akumulatoriaus gnybtai negalės būtų sujungti trumpuoju jungimu jokiais metaliniais daiktais, pavyzdžiui, varžtais, vinimis ir pan.
5. Dirbdami, nespauskite prietaiso per daug smarkiai. Prietaisas veiks geriau ir saugiau, jeigu jis bus naudojamas pagal paskirtį.
6. Kruopščiai atlikite visus prietaiso techninės priežiūros darbus. Pjovimo mechanizmas privalo būti aštrus ir švarus, kad prietaisas veiktų geriausiai ir saugiausiai. Vadovaukitės nurodymais, kaip tepti ir pakeisti priedus.
7. Venkite situacijų, kai įrankis galėtų būti netyčia įjungtas. Neneškite įrankio, padėję pirštą ant pagrindinio svirtinio jungiklio.

## 7. NAUDOJIMO INSTRUKCIJA

### Naudojimas

- ☛ Šio gaminio negali naudoti vaikai ir asmenys, turintys fizinių arba protinių negalių, arba naudojimo patirties neturintys asmenys, nebent jie būtų tinkamai kvalifikuoti arba išmokyti, kaip saugiai naudoti šį gaminį, arba su sąlyga, kad juos tinkamai prižiūrės kvalifikuotas, už jų saugą atsakingas asmuo.
- ☛ Būkite itin atsargūs, jeigu šį gaminį naudojate šalia vaikų. Šį prietaisą visada laikykite vaikams nepasiekiamoje vietoje. Vaikus privaloma prižiūrėti, kad jie nežaistų su šiuo gaminiu.
- ☛ Niekada neleiskite šio prietaiso naudoti vaikams ir žmonėms, kurie nėra perskaitę šios naudojimo instrukcijos. Minimalus vartotojų amžius gali būti reglamentuojamas pagal vietos įstatymus. Vartotojas yra atsakingas už žalą, padarytą trečiosioms šalims, esančioms veikiančio prietaiso darbo vietoje.

- ✿ Nenaudokite šio prietaiso, jeigu esate pavargę, apsvaigę nuo alkoholio arba narkotikų.
- ✿ Jeigu būtina, naudokite saugos priemones (pirštines, darbo batus, akių apsaugas, respiratorius ir pan.).
- ✿ Vilkėkite priglundusius drabužius, suriškite ilgus plaukus ir nusiimkite papuošalus, kad jų neįtrauktų judamosios prietaiso dalys.

### Naudojimo paskirtis

- ✿ Belaidė žolipjovė ir krūmapjovė skirta naudoti privačiuose soduose.
- ✿ Prietaisai, numatyti naudoti privačiuose soduose, yra tokie prietaisai, kurių naudojimas per metus neviršija 50 darbo valandų ir kurie daugiausiai naudojami vejomis prižiūrėti, o ne viešiesiems želdynams, parkams, sporto aikštynams, žemės ūkio ar miškininkystės plotams tvarkyti.
- ✿ Naudokite šį gaminį tik pagal numatytąją paskirtį.
- ✿ Saugos sumetimais šio prietaiso negalima naudoti vietoj variklio jokiems kitiems darbo įrankiams ir įrankių komplektams, nebent gamintojas specialiai leistų tai daryti.

### Naudojimo instrukcija

- ✿ Įjunkite ir naudokite šį prietaisą, kaip aprašyta šiame vartotojo vadove, griežtai vadovaudamiesi visais nurodymais.
- ✿ Prieš pradėdami bet kokius patikrinimo, techninės priežiūros arba remonto darbus, atjunkite elektros kabelį nuo elektros tinklo.
- ✿ Naudokite geros būklės įrankius darbams, kuriems jie yra skirti, atlikti.
- ✿ Dirbkite tik esant geram matomumui arba užtikrinkite pakankamą dirbtinį apšvietimą.
- ✿ Šį gaminį naudokite ir laikykite tik atokiai nuo degių arba lakių medžiagų ir tirpalų.
- ✿ Saugokite šį gaminį nuo itin žemos ar aukštos temperatūros, tiesioginių saulės spindulių ir pernelyg didelės drėgmės. Nenaudokite ten, kur kyla daug dulkių.
- ✿ Nestatykite šio gaminio prie šildytuvų, atviros liepsnos šaltinių arba šilumos prietaisų ar įrenginių.
- ✿ Nepurškite ant šio gaminio vandens arba kokio nors kito skysčio. Nepilkite ant šio prietaiso vandens arba kokio nors kito skysčio. Nepanardinkite šio gaminio į vandenį arba kokį nors kitą skystį.
- ✿ Niekada nepalikite įjungto gaminio be priežiūros.
- ✿ Nelieskite prietaiso dalių, kol jos visiškai nesustos.
- ✿ Palaukite, kol variklis atvės, tik tuomet padėkite prietaisą į uždarytą laikymo vietą.
- ✿ Jokiu būdu negalima patiems taisyti arba kokiu nors būdu pakeisti šį gaminį! Visus šio prietaiso remonto ir reguliavimo darbus patikėkite įgaliotojo techninės priežiūros centro meistrams arba pardavėjui. Bandant patiems taisyti arba reguliuoti šį gaminį garantiniu laikotarpiu, garantija gali nebegalioti.
- ✿ Gamintojas nėra atsakingas už žalą, padarytą netinkamai naudojant šį gaminį arba jo priedus. Tokios žalos pavyzdžiai: maisto produktų sugadinimas, sužalojimai, nudegimai, nuplikymai, gaisras ir pan.
- ✿ Naudojant šioje naudojimo instrukcijoje nerekomenduojamus priedus arba antgalius, galima susižeisti.
- ✿ Būtinai naudokite tik šiam prietaisui tinkamą akumuliatorių.
- ✿ Prieš prijungdami kroviklį, patikrinkite, ar prietaiso ir akumuliatoriaus paviršiai yra švarūs ir sausi.
- ✿ Akumuliatorių būtinai kraukite tik tinkamu, gamintojo rekomenduojamu krovikliu. Naudojant netinkamai, galima susižaloti dėl elektros smūgio, akumuliatoriaus perkaitimo arba ištekėjusio akumuliatoriaus skysčio.
- ✿ Prietaisą gali remontuoti tik kvalifikuotas specialistas

- ☼ Šis prietaisas pagamintas pagal atitinkamų saugos reglamentų reikalavimus. Remontą privalo atlikti tik kvalifikuoti meistrai, naudodami originalias atsargines dalis. Kitaip naudotojui kils didelis pavojus.
- ☼ Naudoto akumuliatoriaus išmetimas  
Akumuliatorių būtinai išmeskite pagal gamintojo nurodymus.

### Elektros sauga

- ☼ Belaidės žoliapjovės ir krūmapjovės kroviklį galima jungti į bet kokį elektros lizdą, įrengtą pagal galiojančius standartus.
- ☼ Elektros kištukas privalo būti 230 V ~ 50 Hz.
- ☼ Atjunkite kroviklį, jeigu jo ilgai nenaudosite, jeigu keičiate įrankio antgalius arba atliekate įrankio techninės priežiūros darbus.

## 8. TECHNINĖ PRIEŽIŪRA IR LAIKYMAS

### Techninė priežiūra

**⚠ DĖMESIO:** Atjunkite kroviklį, jeigu jo ilgai nenaudosite, jeigu keičiate įrankio antgalius arba atliekate įrankio techninės priežiūros darbus.

- ☼ Patikrinkite, ar nesimato prietaiso nusidėvėjimo požymių.
- ☼ Jeigu kroviklis (jo dangtelis, laidai arba jungtis) pažeisti, tuoj pat kreipkitės į įgaliotąjį techninio aptarnavimo centrą arba pardavėją, kad sugadintos dalys būtų pakeistos naujomis.
- ☼ Reguliari prietaiso priežiūra užtikrina ilgą prietaiso naudojimą ir tinkamą veikimą
- ☼ Prieš pradėdami naudoti, visada patikrinkite, ar nėra nusidėvėjusių arba sugadintų dalių.
- ☼ Pakeiskite pažeistas arba nusidėvėjusias dalis. Norėdami, kad prietaisas visuomet liktų subalansuotas, visada keiskite visą nusidėvėjusių arba pažeistų dalių komplektą.
- ☼ Nusidėvėjusias arba pažeistas prietaiso dalis gali keisti tik įgaliotasis techninio aptarnavimo centras arba pardavėjas.
- ☼ Prieš pradėdami valyti, atjunkite šį gaminį nuo maitinimo šaltinio.
- ☼ Norėdami nuvalyti plastikines šio prietaiso dalis, naudokite minkštą, drungnu vandeniu sudrėkintą šluostę. Nenaudokite stipriai veikiančių valymo priemonių ir tirpiklių, nes jie gali apgadinti šio gaminio paviršius.
- ☼ Neplaukite prietaiso po tekančiu vandeniu ir nenardinkite jo į vandenį.
- ☼ Pakeitę antgalį, patikrinkite, ar jis tinkamai įtvirtintas laikymo padėtyje.
- ☼ Po kiekvieno krūmapjovės naudojimo peilį reikia nuvalyti ir patepti tepalu. Jeigu krūmapjovė ilgai naudojama be pertraukos, darbo metu ją reikia patepti tepalu.

### Saugojimas

- ☼ Laikykite įrankį sausoje vietoje, pakankamu atstumu nuo šilumos šaltinių arba pavojingų garų.
- ☼ Nestatykite ant prietaiso jokių daiktų.

## 9. TECHNINIAI DUOMENYS

Akumuliatorius	3,6 V/1 300 mAh
Akumuliatoriaus tipas	Ličio jonų
Sūkių įrankiui veikiant tuščiąja eiga	1 000 sūk./min
Peilio mechanizmo ilgis krūmams genėti	110 mm
Peilio mechanizmo plotis žolei pjauti	80 mm
Akumuliatoriaus galia	1,3 Ah
Krovimo trukmė	4 valandos
Svoris	0,6 kg 1,0 kg (su sustumiamu strypu – modelis FZN 4002-AT)
<b>Kroviklis</b>	
Krovimo įvesties įtampa	230 V ~ 50 Hz
Išvesties įtampa	6 V, nuolatinė srovė, 500 mA

Pasilieka teisė keisti tekstą ir techninius parametrus.

Tekstas, konstrukcija ir techninės specifikacijos gali būti pakeisti be išankstinio pranešimo ir mes pasilikame teisę daryti šiuos pakeitimus.

# 10. SENO PRIETAISO IŠMETIMAS

## **NURODYMAI, KAIP IŠMESI PANAUDOTAS PAKAVIMO MEDŽIAGAS MEDŽIAGOS**

Išmeskite pakavimo medžiagas į tam skirtą atliekų išmetimo vietą.

## **ELEKTRONIŲ IR ELEKTRINIŲ BUITINIŲ PRIETAISŲ IŠMETIMO INSTRUKCIJA**



Šis ant gaminių pažymėtas arba originaliuose dokumentuose esantis ženklas reiškia, kad panaudotų elektrinių arba elektroninių įrenginių negalima išmesti kartu su standartinėmis buitinėmis atliekomis. Siekiant šiuos gaminius išmesti, perdirbti ar pakeisti susidėvėjusius įrenginius naujais, juos reikia atiduoti į nustatytus atliekų surinkimo punktus. Arba, alternatyviai, kai kuriose Europos Sąjungos valstybėse narėse arba kitose Europos šalyse įsigydami atitinkamą naują gaminį, senus gaminius galite grąžinti vietos pardavėjams. Tinkamai išmesdami šį gaminį, padėsite tausoti brangius gamtinius išteklius ir išvengti potencialiai neigiamo poveikio aplinkai, kuris gali būti padarytas netinkamai išmetus atliekas. Išsamesnės informacijos pasiteiraukite savo savivaldybėje arba artimiausiame atliekų surinkimo punkte. Atsižvelgiant į nacionalinius teisės aktus, už netinkamą šio tipo atliekų išmetimą gali būti taikomos nuobaudos.

### **Europos Sąjungos valstybių narių verslo subjektams**

Jeigu norite išmesti elektrinius arba elektroninius prietaisus, reikiamos informacijos teiraukitės pas savo pardavėją arba tiekėją.

### **Atliekų išmetimas kitose, ne Europos Sąjungos šalyse**

Šis ženklas galioja Europos Sąjungoje. Jeigu norite išmesti šį gaminį, teiraukitės reikiamos informacijos apie tinkamą atliekų išmetimo būdą vietos savivaldybėje arba pas savo pardavėją.

Šis gaminyje atitinka ES reglamento dėl elektromagnetinio suderinamumo ir elektros saugos reikalavimus.



Šis gaminyje atitinka visus atitinkamus pagrindinius ES reglamentų reikalavimus.

Tekstas, dizainas ir techninė specifikacija gali būti keičiami be išankstinio įspėjimo ir mes pasilikame teisę daryti šiuos pakeitimus.





