



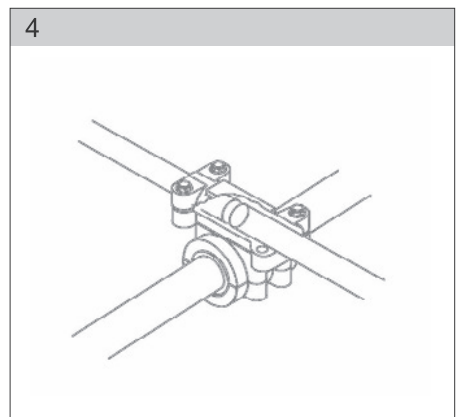
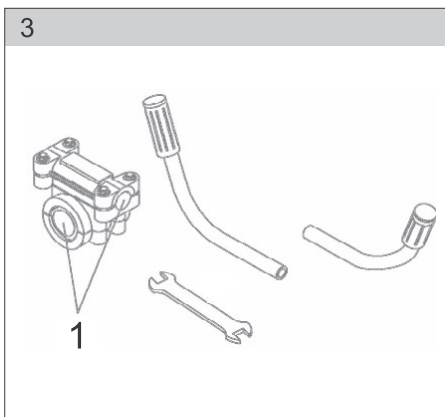
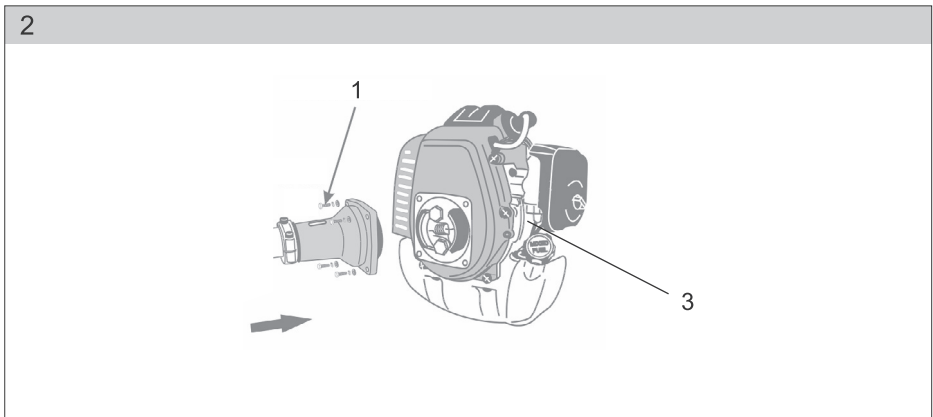
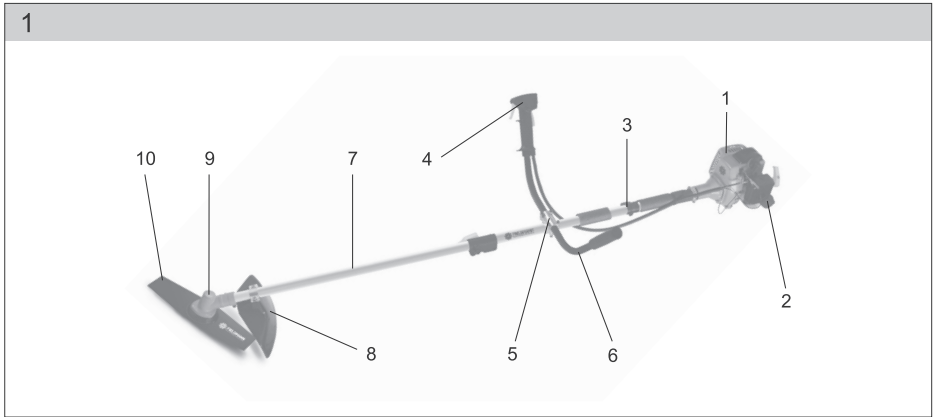
**FIELDMANN**<sup>®</sup>  
Home & Garden Performance



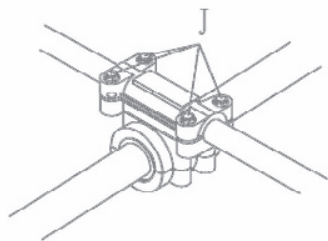
FZS 4003-B

---

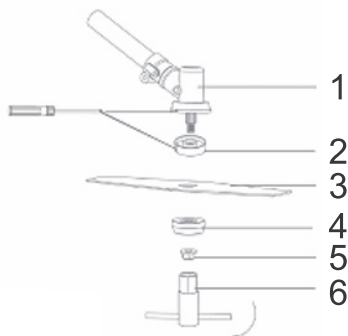
English .....	7 - 19
Čeština.....	21 - 33
Slovenčina .....	35 - 47
Polski .....	49 - 62



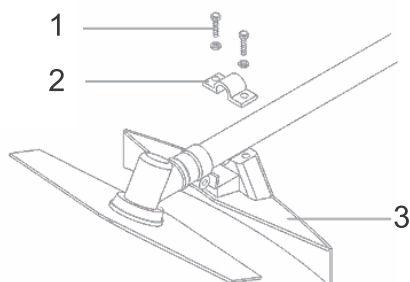
5



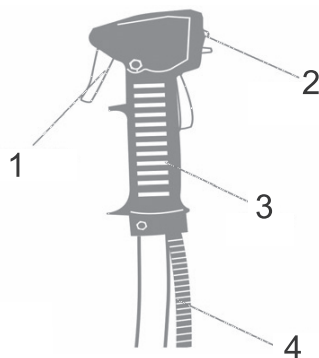
6



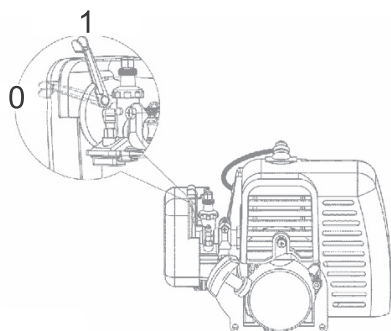
7



8

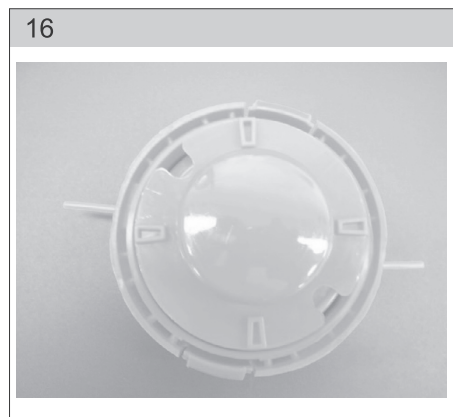
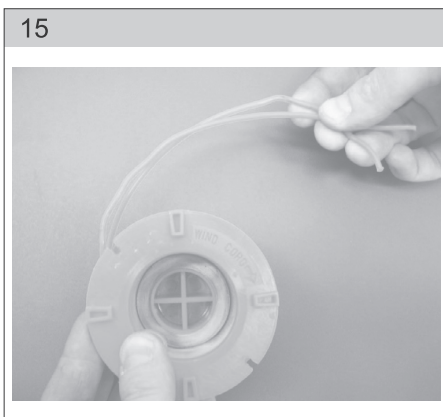
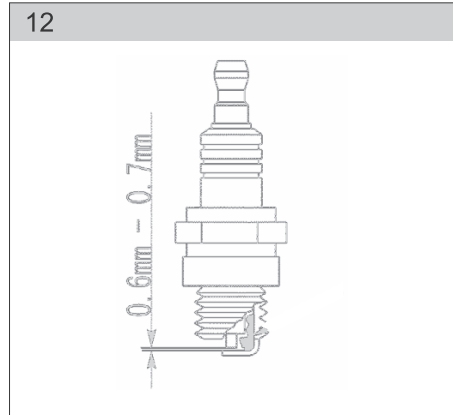
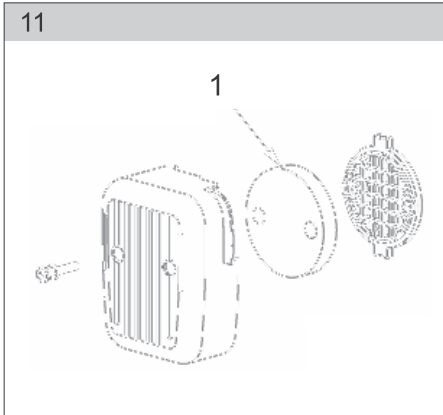


9



10







# Gasoline brush cutter

## OPERATION MANUAL

**Thank you for your purchase of our gasoline brush cutter. Before beginning to use it, please, read this operation manual carefully and keep it for the case of a further use.**

## TABLE OF CONTENTS

APPENDIX OF FIGURES .....	3
1. GENERAL SAFETY INSTRUCTIONS .....	8
Important safety warnings	
Packaging	
Instructions for use	
2. EXPLANATION FOR INSTRUCTION PLATES ON THE MACHINE .....	9
3. MACHINE DESCRIPTION AND DELIVERY CONTENT .....	10
4. MACHINE ASSEMBLY .....	11
5. PUTTING INTO OPERATION .....	12
Before starting	
Fuel filling	
Gas lever and main switch (STOP)	
Starting	
Idle speed setup	
6. INSTRUCTIONS FOR USE .....	13
Safety instructions	
Safety instructions - fuel	
Safety instructions – cutting tools	
7. MAINTENANCE AND STORAGE .....	14
Machine maintenance	
Service	
Storage	
8. TECHNICAL DATA .....	16
9. WHAT TO DO “IF...” .....	16
10. DECLARATION OF CONFORMITY .....	18
11. DISPOSAL .....	19
WARRANTY CERTIFICATE .....	64
CONDITION OF GUARANTEE .....	65

# 1. GENERAL SAFETY INSTRUCTIONS

## Important safety warnings


- ✿ Unpack the product carefully and be sure not to throw away any part of the package before having found all components of the product.
- ✿ Keep the product in a dry place out of reach of children.
- ✿ Read all cautions and instructions. The failure to adhere to warning cautions and instructions may result in an accident, fire and/or a serious injury.

## Packaging

The product is placed in a package preventing damage during transport. This package is a raw material therefore it can be handed-over for recycling.

## Instructions for use

Before beginning to work with the machine, read the following safety rules and instructions for use. Familiarize with operating elements and the proper use of the device. Keep the manual in a safe place for future reference. We recommend keeping the original package including the inner packaging materials, cash voucher and guarantee card for a period of warranty at minimum. For a case of transportation, pack the machine into the original box from the manufacturer, thus ensuring a maximum protection of the product during a possible transport (e.g. moving or sending into a service station).

 **Note:** If you hand the machine over to next persons, hand it over together with the manual. Adherence to the attached instructions for use is a precondition for the proper use of the machine. The operation manual includes also instructions for operation, maintenance and repairs.

**The manufacturer does not take any responsibility for accidents or damages resulting from the failure to adhere to this manual.**



## 2. EXPLANATION FOR INSTRUCTION PLATES ON THE MACHINE



Read the manual carefully before the use



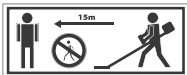
Use protective equipment when working



General warning of danger!



Watch out, recoil!



Keep other persons (especially children) and animals min. 15 m out of the working area.

# 3. MACHINE DESCRIPTION AND DELIVERY CONTENT

## Machine description (see Fig.1)

- |                                 |                   |
|---------------------------------|-------------------|
| 1 - Motor                       | 8 - Housing       |
| 2 - Air cleaner                 | 9 - Gearbox body  |
| 3 - Suspension                  | 10 - Cutting tool |
| 4 - Main switch + gas activator |                   |
| 5 - Handle bar grip holder      |                   |
| 6 - Handle bar                  |                   |
| 7 - Shaft                       |                   |

## Use of the product

The brush cutter is only intended for cutting of grass, weed, bush or underbrush. It must not be used for other purposes, e.g. trimming of lawns or hedges because an injury may occur in this case.

## Machine characteristic

- \* Electronic ignition system
- \* Automatic centrifugal clutch
- \* Spiral transmission
- \* Cardan shaft

**⚠ WARNING!** Sharp blades.

## Delivery content

Take the machine carefully out of the package and check whether there are all following components:

- \* Garden brush cutter
- \* Cord head with a cord of 2.5m length and 2.4mm diameter
- \* Disc head
- \* 3-teeth blade
- \* Tubular spanner
- \* Operation manual

In the case of some parts missing or damaged, please, contact the dealer where you've bought the machine.

# 4. MACHINE ASSEMBLY

## Drive shaft parts

### Drive shaft assembly (see Fig.2)


- ✿ Unscrew hexagonal screws (M6 x 10; Figs. 2, 1) .  
Fasten the drive shaft to the engine housing with the help of 4 screws, tighten thoroughly.

### Handle assembly (see Figs. 3, 4, 5)

- ✿ Unscrew screws (2), put the handle bars to the grip holder (1), select the position according to your working style (right-handed – the switch on the right side when viewing from the engine). Pre-screw the upper parts of the grip holder (4 screws) (2), adjust the position of the handle bars and tighten the screws (2) thoroughly.

### Gearbox parts (see Figs. 6, 7)

- ✿ Unscrew the locking bolt, mount the cutting tool respectively (see Fig. 6): Gearbox (1) – Cutting head carrier (2) – Cutting blade (3) – Cover (4) – Fixing nut (5). Insert a screwdriver to align the gearbox body groove with a hole of the cutting head carrier. Tighten the nut with the aid of the tubular spanner (6) delivered within the packaging.

 **Note:** Instead of the cutting blade, you can wind the head with the cord on the screw of the carrier.

- ✿ Mount the safety cover (3) on the shaft rod with the help of a clamp (2) and screws (1). Be particular about the proper position (see Fig. 7)

### Cord replacement (see Figs. 13, 14, 15, 16)

- ✿ Demount the cord head, take-out the coil with the cord and remove the rest of the cord.
- ✿ Pull a new cord of the total length c. 2 m through both openings in the inner part of the cord head (see Fig. 14) so that both ends are of the same length (see Fig. 13).
- ✿ Wind both ends onto the coil in the direction of the WIND CORD marked arrow (see Fig. 15).
- ✿ Place the coil with the cord into the head (see Fig. 16), pull both ends of the cord through the opposite openings in the head and finish the assembly (close up).

# 5. PUTTING INTO OPERATION

## Before starting

- ✿ Adjust the shoulder strap length and handle position so that you feel comfortably when working. Recheck tightening of all screws, bolts and nuts.

## Fuel filling

- ✿ Gasoline – use only unleaded motor gasoline with octane number 95 (NATURAL 95).
- ✿ Oil – use only high-quality two-cycle engine oil intended for high speed engines. Mix with gasoline in 1:25 ratio and pour into the tank.

## Gas lever and main switch (STOP) (see Fig. 8)

- ✿ The gas lever (1) with the electrical switch (2) are only partly mounted. Insert the gas cable (47) into the carburetor drawbar groove and connect the electrical switch wires. The gas lever is preassembled on the handle from the factory (3).

**⚠ WARNING!** When adjusting the gas lever, be sure not to let the cutting tool rotate while starting. The cutting tool would start turning at high speed abruptly and could be dangerous. The gas cable must be adjusted so that the engine is running at idle thrust when releasing the gas lever (the cutting tool is not rotating).

## Starting (see Fig. 9)

- ✿ Press the gas lever to the  $\frac{1}{4}$  of the gas lock and cage it.
- ✿ Turn the main switch on.
- ✿ Set the primer lever to the OFF (0) position.
- ✿ Pull the starter quickly. If the engine started-up, move the primer lever into the ON (1) position again. Repeat this procedure, until the engine starts-up and begins to run.
- ✿ After having started-up, let the engine warm at idle speed 2,500-2,800 rpm for c. 2-3 min before the load of the machine.

**⚠ WARNING!** The cutting blade may begin rotating just when starting. When starting the engine, the blade must not be touching anything.

## Idle speed setup (see Fig. 2)

- ✿ If idle speed is too high or low, adjust the idle speed with the aid of the adjusting screw (3).
- ✿ If the speed is too high, turn the adjusting screw counterclockwise.
- ✿ If the speed is too low, turn the adjusting screw clockwise.

## 6. INSTRUCTIONS FOR USE

### Safety instructions

#### Read carefully!

- ✿ Always wear safety helmet, safety gloves, protective clothing (trouser-legs against cutting through), protective gloves and safety shoes (see Fig. 10).
- ✿ Keep the machine out of the reach of children.
- ✿ Never work with the engine if there is only gasoline in the fuel tank.
- ✿ Never fill up fuel while the engine is running or still hot. Fill the service liquids into the engine only while the engine is cold.
- ✿ Store fuels in a closed container in a dry and cool place.
- ✿ Follow safety rules.
- ✿ Recheck the workspace before each use. Remove objects which may be flung away or get stuck into the machine.
- ✿ When working, all other persons have to be out of a range of 15 meters at minimum.
- ✿ Never use the machine without the protective safety cover (of the cutting blade) on.
- ✿ Never fill the fuel tank so that it is full up to the top completely.
- ✿ The fuel tank closing cover must be tightened thoroughly in order to avoid the fuel overflow.
- ✿ Do not let the machine run at full throttle if the fuel tank is empty.
- ✿ Never switch-off the machine abruptly if it runs at full throttle.
- ✿ Do not use the machine if it is damaged in any way. Contact an authorized service station.
- ✿ When carrying over, grasp the whole device; grasping the fuel tank only is dangerous, the fuel tank damage and fire may be a result.
- ✿ Always hold the brush cutter in both hands.
- ✿ Never put the warm brush cutter on dry grass.
- ✿ Do not smoke while working with the machine.

### Safety instructions

#### Fuel

- ✿ The fuel tank has to be empty during transportation of the brush cutter.
- ✿ Transport fuels in approved jerry cans.
- ✿ Check the fuel tank lid regularly. It must be tightened thoroughly and fuel leak must not occur.
- ✿ Protect the living environment: take care to avoid fuel leakage and soil contamination.
- ✿ Start-up the machine minimally 3 meters away from the place where you filled fuel.
- ✿ Never fill up fuel in enclosed areas. Adequate ventilation must be ensured in the room; explosion hazard.
- ✿ Do not inhale fuel vapours. Fill up fuel while wearing protective gloves.
- ✿ Change and clean the protective clothing regularly.

## Safety instructions

### Cutting tools

- ✿ When mounting the cutting tool, check the blade condition. If it is damaged (cracked, bent, abrupt etc.), replace it.
- ✿ After having installed the blade, check whether the hole in the blade is aligned with the arm of the blade carrier.
- ✿ Rotate the blade, check whether the blade does not tend to rotate irregularly.
- ✿ Be sure to install the blade with its cutting edge in the direction of rotation. Never mount it the other way around.
- ✿ Check whether the cutting tool has been assembled properly, rotate it without a load (1 minute is enough).
- ✿ The blade has to be chosen appropriately for the given material.
- ✿ Never push the blade against objects while working. Objects must be cut at mild speed.
- ✿ If you hear an unusual sound or the machine vibrates unusually while working, stop working and find-out the cause.
- ✿ Do not stop the machine while the blade is going through the cut object. There is an injury and machine damage danger.
- ✿ The cutting tool must be fitted with an appropriate protective cover.

**⚠ WARNING!** The failure to follow instructions may result in serious or fatal injury of persons!!

- ✿ Give all persons working with this machine information on the machine operation and safety instructions.

# 7. MAINTENANCE AND STORAGE

## Machine maintenance

- ✿ Before each use:
  - Recheck tightening of all screws, bolts and nuts.
  - Check whether fuel is not escaping from the fuel tank.
- ✿ After every 20 hours of operation:
  - Clean the air cleaner (1) (see Fig. 11).
  - Clean the fuel filter.
- ✿ After every 50 hours of operation:
  - Clean the spark plug and adjust a gap between electrodes to 0.6 - 0.7 mm distance (see Fig.12).
  - Clean deposits from the exhaust pipe and the muffler.
  - Dismount the shaft and lubricate with quality lubricant.

- \* Lubricate the gearbox.
- \* Recheck the assembly after maintenance and recheck tightening of all screws, bolts and nuts.
- \* Check carefully whether fuel liquid is not leaking.

## Service

- \* In the case you find-out any defect after having purchased the product, contact the service department. When using the product, follow instructions given in the operation manual.
- \* Your claim will not be taken into consideration if you have modified the product or have not adhered to instructions given in this operation manual.

## Warranty does not cover

- \* Natural wear of functional parts of the machine in consequence of its use
- \* Service interventions relating to the standard maintenance of the machine (e.g. cleaning, lubricating, adjusting, etc.)
- \* Faults caused by outer influences (e.g. climatic conditions, dustiness, unsuitable use, etc.)
- \* Mechanical damage resulting from a fall of the machine, shock, impact, etc.
- \* Damages resulting from unskilled handling, overloading, the use of improper parts, unsuitable tools etc. The risk of possible damage of claimed products which have not been secured against mechanical damage during the transport properly is born exclusively by the owner.

## Storage

**⚠ WARNING!** If not using the machine for a longer time, store it according to the following instructions. Thus you will prolong the service life of your machine.

- \* Drain fuel from the fuel tank and carburetor completely. Close the primer and pull the starter 3 – 5 times.
- \* Unscrew the spark plug and put a small amount of engine oil into the hole. Pull the starter 2 – 3 times gently.
- \* Clean outer surfaces by a clean cloth. Store the machine in a clean and dry place.

## 8. TECHNICAL DATA

Model: .....	FZS 4003-B
Cylinder capacity: .....	42.7 cm <sup>3</sup>
Maximum engine power: .....	1.25 kW
Shaft length: .....	1,500 mm
Engine type: .....	two stroke, air-cooled
Idling speed: .....	3,000 rev/min
Recommended maximum idling speed: .....	9,000 rev/min
Spark plug: .....	L6 (LD)
Fuel tank capacity: .....	1,200 ml
Weight without fuel and sawing tools: .....	7.5 kg
Sound power level, guaranteed LWA .....	110 dB(A)

Instructions Manual - language version only.

## 9. WHAT TO DO "IF..."

Engine does not start	Possible cause	Remedy
1. Check fuel	No fuel in the carburettor or tank.	Fill up fuel
	Fuel contains water.	
	Improper fuel mixture ratio.	Drain the fuel tank and the carburettor. Fill new fuel into the tank..
2. Take the spark plug out .	Defective or dirty spark plug.	Replace the spark plug.
	Wrong gap between electrodes.	
	Spark plug is damp, affected by gasoline (flooded engine)..	Dry the spark plug and reinstall.
3. Bring the engine to the authorized service or to the dealer.	Clogged fuel filter, carburettor fault, ignition fault, clogged valves etc.	Replace or repair defected parts.



<b>Insufficiently functional engine</b>	<b>Possible cause</b>	<b>Remedy</b>
1. Check the air filter.	Dirty air filter	Clean or replace the air filter element.
2. Check fuel.	Fuel contains water.	Drain the fuel tank and the carburettor. Fill new fuel into the tank.
	Improper fuel mixture ratio.	
3. Check the primer setup and gas control.	The primer not fully open.	Adjust the setup.
	Wrongly adjusted gas cable.	
4. Bring the engine to the authorized service or to the dealer.	Clogged fuel filter, carburettor fault, ignition fault, clogged valves etc.	Replace or repair defective parts.

<b>Engine starts-up, conks out immediately</b>	<b>Possible cause</b>	<b>Remedy</b>
1. Check fuel.	Fuel has run out.	Fill up fuel
	Fuel contains water.	Drain the fuel tank and the carburettor. Fill new fuel into the tank.
	Improper fuel mixture ratio.	
2. Take the spark plug out and check.	Defective or dirty spark plug.	Replace the spark plug.
	Wrong gap between electrodes.	
3. Check the air filter.	Dirty air filter. Clogged air filter	Clean or replace the air filter element.
4. Bring the engine to the authorized service or to the dealer.	Clogged bleeder valve.	Replace or repair defective parts.
	Clogged fuel filter, carburettor fault, ignition fault, clogged valves etc.	

# 10. DECLARATION OF CONFORMITY

## EC Declaration of Conformity

Fast ČR, a.s., Černokostelecká 251 01 Říčany u Prahy, phone: 323204111, declares with binding effect, that brush cutter Fieldmann FZS 4003-B (the year of manufacture is indicated on a type label and is followed by a serial number of the machine), complies with the requirements of DIRECTIVE OF THE COUNCIL:

No. 2006/42/EC, 2006/95/EC, (approval certificate no.: 17704045 001)

No. 2004/26/EC, exhaust emission,

and has been tested in compliance with the following standards:  
EN ISO 11806:2008

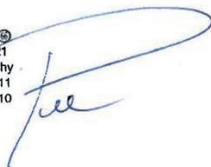
The company FAST ČR, a.s. is entitled to act on behalf of the manufacturer.

CE label: 13

Říčany, 29 November 2013

name stamp signature

**FAST** FAST ČR, a.s. ©  
Černokostelecká 1621  
251 01 Říčany u Prahy  
ICO: 26726548 tel.: +420/ 323 204 111  
DÍČ: CZ26726548 fax: +420/ 323 204 110



Petr Uher quality manager

# 11. DISPOSAL

## **INSTRUCTIONS AND INFORMATION ON USED PACKAGE DISPOSAL**

Put the used packaging material to the place designated for waste disposal by a municipality.



This symbol is valid in the European Union. If you wish to dispose of this product, ask local authorities or your dealer for necessary information about the right disposal method.



This product meets all fundamental requirements of applicable EU directives.

Changes of the text, design and technical specifications can be done without prior notice and we reserve the right for the changes.



# Benzínový křovinořez

## NÁVOD K OBSLUZE

**Děkujeme vám, že jste si zakoupili tento benzínový křovinořez. Než jej začnete používat, přečtěte si, prosím, pozorně tento návod k obsluze a uschovejte jej pro případ dalšího použití.**

## OBSAH

OBRAZOVÁ PŘÍLOHA .....	3
1. VŠEOBECNÉ BEZPEČNOSTNÍ PŘEDPISY .....	22
Důležitá bezpečnostní upozornění	
Obal	
Návod na použití	
2. VYSVĚTLENÍ ŠTÍTKŮ S POKYNY NA STROJI .....	23
3. POPIS STROJE A OBSAH DODÁVKY .....	24
4. MONTÁŽ STROJE .....	25
5. UVEDENÍ DO PROVOZU .....	26
Než začnete	
Naplnění pohonné hmoty	
Plynová páka a hlavní vypínač (STOP)	
Startování	
Nastavení otáček naprázdno	
6. POKYNY K POUŽITÍ .....	27
Bezpečnostní instrukce	
Bezpečnostní instrukce – palivo	
Bezpečnostní instrukce – řezací nástroje	
7. ÚDRŽBA A USKLADNĚNÍ .....	28
Údržba stroje	
Servis	
Uskladnění	
8. TECHNICKÉ ÚDAJE .....	30
9. CO DĚLAT „KDYŽ“ .....	30
10. PROHLÁŠENÍ O SHODĚ .....	32
11. LIKVIDACE .....	33
ZÁRUČNÍ LIST .....	64
ZÁRUČNÍ PODMÍNKY .....	65

# 1. VŠEOBECNÉ BEZPEČNOSTNÍ PŘEDPISY

## Důležitá bezpečnostní upozornění


- ✿ Výrobek pečlivě vybalte a dejte pozor, abyste nevyhodili žádnou část obalového materiálu dříve, než najdete všechny součásti výrobku.
- ✿ Výrobek uchovávejte na suchém místě mimo dosah dětí.
- ✿ Čtete všechna upozornění a pokyny. Zanedbání při dodržování varovných upozornění a pokynů mohou mít za následek úraz elektrickým proudem, požár a/nebo těžká poranění.

## Obal

Výrobek je umístěn v obalu bránícím poškozením při transportu. Tento obal je surovinou a lze jej proto odevzdat k recyklaci.

## Návod k použití

Než začnete se strojem pracovat, přečtěte si následující bezpečnostní předpisy a pokyny k používání. Seznamte se s obslužnými prvky a správným používáním zařízení. Návod pečlivě uschovejte pro případ pozdější potřeby. Minimálně po dobu záruky doporučujeme uschovat originální obal včetně vnitřního balicího materiálu, pokladní doklad a záruční list. V případě přepravy zabalte stroj zpět do originální krabice od výrobce, zajistíte si tak maximální ochranu výrobku při případném transportu (např. stěhování nebo odeslání do servisního střediska).

-  **Poznámka:** Předáváte-li stroj dalším osobám, předejte jej společně s návodem. Dodržování přiloženého návodu k obsluze je předpokladem řádného používání stroje. Návod k obsluze obsahuje rovněž pokyny pro obsluhu, údržbu a opravy.

**Výrobce nepřebírá odpovědnost za nehody nebo škody vzniklé následkem nedodržování tohoto návodu.**

## 2. VYSVĚTLENÍ ŠTÍTKŮ S POKYNY NA STROJI



Před použitím si pečlivě přečtěte návod



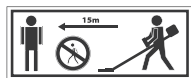
Při práci používejte ochranné pomůcky



Všeobecné upozornění na nebezpečí!



Pozor, zpětný ráz!



Udržujte ostatní osoby (zejména děti) a zvířata z dosahu min 15 m od pracovní plochy.

## 3. POPIS STROJE A OBSAH DODÁVKY

### Popis stroje (viz obr. 1)

- |                                   |                       |
|-----------------------------------|-----------------------|
| 1 - Motor                         | 8 - Kryt              |
| 2 - Vzduchový filtr               | 9 - Těleso převodovky |
| 3 - Závěs                         | 10 - Řezný nástroj    |
| 4 - Hlavní spínač + ovladač plynu |                       |
| 5 - Držák tyče rukojeti           |                       |
| 6 - Tyč rukojeti                  |                       |
| 7 - Hřídel                        |                       |

### Použití výrobku

Křovinořez je určen pouze pro vyžínání trávy, plevele, křoví nebo podrostu. Nesmí se používat k jiným účelům, například k zastřihávání trávníků nebo stříhání živých plotů, protože v takovém případě může dojít k úrazu.

### Charakteristika stroje

- ✿ Elektronický zapalovací systém
- ✿ Automatické centrifugální uchopení
- ✿ Spirální převod
- ✿ Kardanová hřídel

**⚠ POZOR!** Ostré nože

### Obsah dodávky

Opatrně vyjměte stroj z obalu a zkontrolujte, zda nechybí žádná z níže uvedených součástí:

- ✿ Zahradní křovinořez
- ✿ Strunová hlava se strunou o délce 2,5 m a průměru 2,4 mm
- ✿ Kotoučová hlava
- ✿ 3-zubý nůž
- ✿ Trubkový klíč
- ✿ Návod k obsluze

Pokud díly chybí nebo jsou poškozeny, obraťte se prosím na prodejce, kde jste stroj zakoupili.



## 4. MONTÁŽ STROJE

### Části hnací hřídele

#### Montáž hnací hřídele (viz obr. 2)

- ☼ Odšroubujte šestihřanné šrouby (M6 x 10; obr. 2, 1).  
Připevněte hnací hřídel ke krytu motoru pomocí 4 šroubů, pevně dotáhněte.

#### Montáž rukojeti (viz obr. 3, 4, 5)

- ☼ Odšroubujte šrouby (2), vložte tyče rukojeti do držáku (1), zvolte pozici dle Vašeho pracovního stylu (pravák – spínač na pravé straně při pohledu od motoru). Horní díly držáku předběžně našroubujte (4 šrouby) (2), upravte pozici tyčí rukojeti a šrouby (2) pevně dotáhněte.

### Části převodovky (viz obr. 6, 7)

- ☼ Odšroubujte zajišťovací šroub, namontujte řezací nástroj v tomto pořadí (viz obr. 6):  
Převodovka (1) – Unášec řezací hlavy (2 – Řezací nůž (3) – Krytka (4) – Fixační matice. (5)  
Pro vyrovnání drážky tělesa převodovky s otvorem unášeče řezací hlavy, vložte šroubovák.  
Matici dotáhněte pomocí trubkového klíče (6) dodávaného v balení.

 **Poznámka:** Místo řezacího nože lze na šroub unášeče natočit hlavici se strunou.

- ☼ Namontujte bezpečnostní kryt (3) na tyč hřídele pomocí svorky (2) a šroubů (1). Dbejte na správnou pozici. (viz obr. 7)

#### Výměna struny (viz obr. 13, 14, 15, 16)

- ☼ Demontujte strunovou hlavici, vyjměte cívku se strunou a odstraňte zbytek struny
- ☼ Novou strunu o celkové délce cca 2 metry protáhněte oběma otvory ve vnitřní části strunové hlavičky (viz obr.14), tak aby byly oba konce stejně dlouhé (viz obr. 13)
- ☼ Oba konce natočte do cívky ve směru šipky s označením WIND CORD (viz obr. 15)
- ☼ Cívku se strunou umístěte do hlavičky (viz obr.16), oba konce struny protáhněte protilehlými otvory v hlavici a zkompleťujte (uzavřete) ji.

## 5. UVEDENÍ DO PROVOZU

### Než začnete

- ✿ Upravte délku ramenního popruhu a pozici rukojetí tak, abyste se cítili při práci pohodlně. Překontrolujte dotažení všech šroubů a matic.

### Naplnění pohonné hmoty

- ✿ Benzín – používejte pouze bezolovnatý motorový benzín s okt. číslem 95 (NATURAL 95).
- ✿ Olej – používejte pouze kvalitní dvou-cyklový motorový olej, určený pro vysokootáčkové motory. V poměru 1:25 promíchejte s benzinem a nalijte do nádrže.

### Plynová páka a hlavní vypínač (stop) (viz obr. 8)

- ✿ Plynová páka (1) s elektrickým vypínačem (2) jsou namontovány pouze částečně. Vložte lanko plynu (4) do drážky táhla karburátoru a připojte dráty elektrického vypínače. Plynová páka je z továrny předsmontována na rukojeti (3). Při seřízení plynového lanka dbejte na to aby při startování nedošlo k roztočení řezacího nástroje.

**⚠ POZOR!** Řezací nástroj by se náhle roztočil vysokou rychlostí a mohl by být nebezpečný. Lanko plynu musí být seřízeno tak, aby při uvolnění plynové páčky motor běžel na volnoběh (řezací nástroj se neotáčí).

### Startování (viz obr. 9)

- ✿ Stiskněte plynovou páku do 1/4 plyného závěru a zaaretuje
- ✿ Zapněte hlavní spínač
- ✿ Nastavte páku sytiče do pozice ZAVŘENO (0).
- ✿ Rychle zatáhněte za startér. Pokud motor nastartuje, posuňte páku sytiče znovu do pozice OTEVŘENO (1). Tento postup opakujte, dokud motor nenastartuje a nezačne běžet.
- ✿ Po nastartování motoru nechte motor před zátěží stroje cca 2–3 minuty zahřát při otáčkách naprázdno 2500–2800 ot./min.

**⚠ POZOR!** Řezací nůž se již při startování může začít otáčet. Nůž se nesmí ničeho dotýkat, pokud startujete motor.

### Nastavení otáček naprázdno (viz obr. 2)

- ✿ Pokud jsou otáčky naprázdno příliš vysoké nebo nízké, seřídte otáčky naprázdno pomocí seřizovacího šroubu (3).
- ✿ Pokud jsou otáčky příliš vysoké, otočte seřizovacím šroubem proti směru hodinových ručiček.
- ✿ Pokud jsou otáčky příliš nízké, otočte seřizovacím šroubem ve směru hodinových ručiček.

## 6. POKYNY K POUŽITÍ

### Bezpečnostní instrukce

#### Čtěte pozorně!

- ✿ Vždy noste bezpečnostní helmu, bezpečnostní rukavice, ochranný oděv (protiprořezové nohavice), ochranné rukavice a bezpečnostní obuv. (viz obr. 10)
- ✿ Stroj uchovávejte z dosahu dětí.
- ✿ Nikdy nepracujte s motorem, pokud je v palivové nádrži pouze benzín.
- ✿ Nikdy neplňte pohonné hmoty, pokud motor běží nebo je ještě horký. Motor doplňujte, pouze pokud je motor studený.
- ✿ Pohonné hmoty skladujte v uzavřeném obalu na suchém a chladném místě.
- ✿ Dodržujte bezpečnostní předpisy.
- ✿ Před každým použitím přezkontrolujte pracovní prostor. Odstraňte předměty, které by se mohli odmrštit nebo zaklínit do stroje.
- ✿ Při práci musí být všechny osoby z dosahu v okruhu minimálně 15 metrů
- ✿ Nikdy nepoužívejte stroj bez nasazeného ochranného krytu (řezacího nože).
- ✿ Nikdy nenaplňujte palivovou nádrž, aby byla úplně plná.
- ✿ Uzávěr palivové nádrže musí být pevně dotažen, aby se zamezilo přetečení pohonné hmoty.
- ✿ Nenechte běžet stroj na plný plyn, pokud je palivová nádrž prázdná.
- ✿ Nikdy stroj nevypínejte náhle, pokud běží na plný plyn.
- ✿ Pokud je stroj jakkoli poškozen, nepoužívejte jej. Kontaktujte kvalifikovaný servis.
- ✿ Při přenášení uchopte zařízení celé, nošení za palivovou nádrž je nebezpečné, může dojít k poškození palivové nádrže a požáru.
- ✿ Křovinořez vždy držte oběma rukama.
- ✿ Horký křovinořez nikdy nepokládejte do suché trávy.
- ✿ Při práci se strojem je zakázáno kouřit.

### Bezpečnostní instrukce

#### Palivo

- ✿ Během přepravy křovinořezu musí být palivová nádrž prázdná.
- ✿ Pohonné hmoty přepravujte pouze ve schválených kanystrech.
- ✿ Pravidelně kontrolujte víčko palivové nádrže. Musí být dotažené a nesmí docházet k úniku palivové hmoty
- ✿ Chraňte životní prostředí: dávejte pozor, aby nedošlo k úniku palivových hmot a kontaminaci půdy.
- ✿ Stroj startujte minimálně 3 metry od místa, kde jste doplňovali palivo.
- ✿ Palivo nikdy nedoplňujte v uzavřených místnostech. V místnosti musí být zajištěno dostatečné větrání, nebezpečí výbuchu.

- \* Výpary z paliva nevdechujte. Palivo doplňujte v ochranných rukavicích.
- \* Ochranné oblečení pravidelně měňte a čistěte.

## Bezpečnostní instrukce

### Řezací nástroje

- \* Pokud montujete řezací nástroj, zkontrolujte stav nože. Pokud je poškozen (prasklý, ohlý, ulomený apod.), vyměňte jej.
- \* Po instalaci nože překontrolujte, zda je díra nože v rovině s ramenem unašeče nože.
- \* Roztočte nůž, překontrolujte, zda nůž nemá tendenci otáčet se nepravdělně.
- \* Překontrolujte, zda montujete nůž s ostřím po směru rotace. Nikdy jej nemontujte obráceně.
- \* Překontrolujte, zda byl řezací nástroj správně smontován, a to otočením bez zátěže (stačí 1 minuta).
- \* Nůž musí být vhodně vybrán pro daný řezací materiál.
- \* Nikdy netlačte nůž na předměty během provozu. Předměty musí být řezány mírnou rychlostí.
- \* Pokud během provozu uslyšíte neobvyklý zvuk nebo se stroj neobvykle třese, ukončete práci a zjistěte příčinu.
- \* Nezastavujte stroj, pokud je nůž v řezaném objektu. Hrozí nebezpečí úrazu a poškození stroje.
- \* Řezací nástroj musí být opatřen příslušným krytem.

**⚠ POZOR!** Při nedodržení instrukcí hrozí nebezpečí vážného až smrtelného zranění osob!

- \* Seznamte všechny osoby pracující s tímto strojem s obsluhou stroje a bezpečnostními instrukcemi.

# 7. ÚDRŽBA A USKLADNĚNÍ

## Údržba stroje

- \* Před každým použitím:
  - Překontrolujte dotažení všech šroubů a matic.
  - Překontrolujte, zda nevytéká z palivové nádrže pohonná hmota.
- \* Po každých 20 hodinách provozu:
  - Vyčistěte vzduchový filtr (1). (viz obr. 11)
  - Vyčistěte filtr paliva.
- \* Po každých 50 hodinách provozu:
  - Vyčistěte zapalovací svíčku a seřídte mezeru mezi elektrodami na vzdálenost 0,6–0,7mm. (viz obr.12)
  - Vyčistěte usazeniny z výfuku a tlumiče výfuku.
  - Hřídel znovu odmontujte a promažte kvalitním mazivem.

- ✿ Převodovku promažte mazivem.
- ✿ Překontrolujte montáž po provedení údržby a překontrolujte dotažení všech šroubů a matic.
- ✿ Pečlivě překontrolujte, zda nevytéká palivová kapalina.

## Servis

- ✿ V případě, že po zakoupení výrobku zjistíte jakoukoli závadu, kontaktujte servisní oddělení. Při použití výrobku se řiďte pokyny uvedenými v příloženém návodu k použití.
- ✿ Na reklamaci nebude brán zřetel, pokud jste výrobek pozměnili či jste se neřídili pokyny uvedenými v návodu k použití.

## Záruka se nevztahuje:

- ✿ Na přirozené opotřebení funkční částí stroje v důsledku jeho používání
- ✿ Na servisní zásahy související se standardní údržbou stroje (např. čištění, mazání, seřízení apod.)
- ✿ Na závady způsobené vnějšími vlivy (např. klimatickými podmínkami, prašností, nevhodným použitím apod.)
- ✿ Na mechanická poškození v důsledku pádu stroje, nárazu, úderu do něj apod.
- ✿ Na škody vzniklé neodborným zacházením, přetížením, použitím nesprávných dílů, nevhodných nástrojů apod. U reklamovaných výrobků, které nebyly řádně zabezpečeny proti mechanickému poškození při přepravě nese riziko případné škody výhradně majitel.

## Uskladnění

- ⚠ **POZOR!** Pokud stroj delší dobu nepoužíváte, přístroj uskladněte dle následujících pokynů. Prodloužíte tak životnost stroje.
- ✿ Kompletně vylijte palivo z palivové nádrže a karburátoru. Zavřete sytič a 3 až 5krát potáhněte startér.
- ✿ Vyšroubujte zapalovací svíčku a nalijte do otvoru malé množství motorového oleje. Jemně potáhněte 2 až 3krát startér.
- ✿ Čistým hadrem vyčistěte vnější plochy. Stroj uskladněte na čistém a suchém místě.

## 8. TECHNICKÉ ÚDAJE

Model .....	FZS 4003-B
Obsah válce .....	42,7 cm <sup>3</sup>
Maximální výkon motoru .....	1,25 kW
Délka hřídele .....	1500 mm
Typ motoru .....	2taktní chlazený vzduchem
Otáčky chodu bez zátěže .....	3000 ot/min
Doporučené maximální otáčky bez zatížení .....	9000 ot/min
Zapalovací svíčka .....	L6 (LD)
Objem palivové nádrže .....	1200 ml
Hmotnost bez paliva a žacíh nástrojů .....	7,5 kg
Hladina akustického výkonu, zaručená LWA .....	110 dB(A)

Návod k použití v originálním jazyce.

## 9. CO DĚLAT „KDYŽ“ ...

Motor nestartuje	Možná příčina	Odstranění
1. Zkontrolujte palivo.	V karburátoru nebo v nádrži není palivo.	Doplňte palivo.
	Palivo obsahuje vodu.	
	Nesprávný poměr směsi pohonné hmoty.	Vypusťte palivovou nádrž a karburátor. Naplňte nádrž novým palivem.
2. Vyměňte a zkontrolujte zapalovací svíčku.	Vadná nebo znečištěná svíčka.	Vyměňte zapalovací svíčku
	Nesprávná mezera mezi elektrodami.	
	Zapalovací svíčka je vlhká, zasažená benzínem (zahlcený motor).	Vysušte a opět namontujte zapalovací svíčku.
3. Zavezte motor do kvalifikovaného servisu, nebo k prodejci.	Ucpáný palivový filtr, porucha karburátoru, porucha zapalování, ucpané ventily apod.	Vyměňte nebo opravte vadné díly.

<b>Nedostatečně funkční motor</b>	<b>Příčina poruchy</b>	<b>Oprava</b>
1. Zkontrolujte vzduchový filtr.	Znečištění vzduchový filtr.	Vyčistěte nebo vyměňte vložku vzduchového filtru.
2. Zkontrolujte palivo.	Palivo obsahuje vodu.	Vypustěte palivovou nádrž a karburátor. Naplňte nádrž novým palivem.
	Nesprávný poměr směsi pohonné hmoty.	
3. Zkontrolujte nastavení sytiče a ovládní plynu.	Sytič nebyl úplně otevřen.	Upravte nastavení.
	Špatně seřizené plynové lanko.	
4. Zavezte motor do kvalifikovaného servisu, nebo k prodejci.	Ucpaný palivový filtr, porucha karburátoru, porucha zapalování, ucpané ventily apod.	Vyměňte nebo opravte vadné díly.

<b>Motor nastartuje a hned zhasne</b>	<b>Možná příčina</b>	<b>Odstranění</b>
1. Zkontrolujte palivo.	Došlo palivo.	Doplňte palivo.
	Palivo obsahuje vodu.	Vypustěte palivovou nádrž a karburátor. Naplňte nádrž novým palivem.
	Nesprávný poměr směsi pohonné hmoty.	
2. Vyměňte a zkontrolujte zapalovací svíčku.	Vadná nebo znečištěná svíčka.	Vyměňte zapalovací svíčku.
	Nesprávná mezera mezi elektrodami.	
3. Zkontrolujte vzduchový filtr.	Znečištěný vzduchový filtr. Ucpaný vzduchový filtr.	Vyčistěte nebo vyměňte vložku vzduchového filtru.
4. Zavezte motor do kvalifikovaného servisu, nebo k prodejci.	Ucpaný odvodušňovací ventil.	Veměňte nebo opravte vadné díly.
	Ucpaný palivový filtr, porucha karburátoru, porucha zapalování, ucpané ventily apod.	

# 10. PROHLÁŠENÍ O SHODĚ

## ES Prohlášení o shodě

Fast ČR, a.s., Černokostelecká 251 01 Říčany u Prahy, tel.:323204111, závazně prohlašujeme, že křovinořez Fieldmann FZS 4003 – B (rok výroby je vyznačen na typovém štítku a je následován výrobním číslem stroje, splňuje předpisy SMĚRNICE RADY:

ES č. 2006/42/EC, 2006/95/IEC, (číslo schvalovacího certifikátu: 17704045 001)

ES č.2004/26/ES emise výfukových plynů

a byl testován ve shodě s níže uvedenými normami:

EN ISO 11806:2008

Firma FAST ČR, a.s. je oprávněna jednat jménem výrobce.

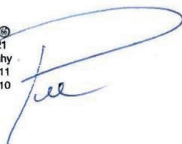
CE label: 13

V Říčanech dne 29. 11. 2013

jméno razítko podpis

**FAST**  
ICO: 26726548  
DIČ: CZ26726548

FAST ČR, a.s.  
Černokostelecká 1621  
251 01 Říčany u Prahy  
tel.: +420/ 323 204 111  
fax: +420/ 323 204 110



Petr Uher manažer kvality



# 11. LIKVIDACE

## **POKYNY A INFORMACE O NAKLÁDÁNÍ S POUŽITÝM OBALEM**

Použitý obalový materiál odložte na místo určené obcí k ukládání odpadu.



Stroj a jeho příslušenství jsou vyrobeny z různých materiálů, např. z kovu a plastů. Poškozené součástky odevzdejte do tříděného sběru. Informujte se u příslušného úřadu.



Tento výrobek splňuje veškeré základní požadavky směrnic EU, které se na něj vztahují.

Změny v textu, designu a technických specifi kací se mohou měnit bez předchozího upozornění a vyhrazujeme si právo na jejich změnu.



# Benzínový krovínorez

## NÁVOD NA OBSLUHU

**Ďakujeme vám, že ste si zakúpili tento benzínový krovínorez. Skôr, než ho začnete používať, prečítajte si pozorne tento návod na obsluhu a uschovajte ho na ďalšie použitie.**

## OBSAH

OBRAZOVÁ PRÍLOHA .....	3
1. VŠEOBECNÉ BEZPEČNOSTNÉ PREDPISY .....	36
Dôležité bezpečnostné upozornenia	
Obal	
Návod na použitie	
2. VYSVETLENIE ŠTÍTKOV S POKYNNI NA STROJI .....	37
3. POPIS STROJA A OBSAH DODÁVKY .....	38
4. MONTÁŽ STROJA .....	39
5. UVEDENIE DO PREVÁDZKY .....	40
Kým začnete	
Doplnenie pohonnej hmoty	
Plynová páka a hlavný vypínač (STOP)	
Štartovanie	
Nastavenie otáčok naprázdno	
6. POKYNY NA POUŽITIE .....	41
Bezpečnostné inštrukcie	
Bezpečnostné inštrukcie – palivo	
Bezpečnostné inštrukcie – rezacie nástroje	
7. ÚDRŽBA A USKLADNENIE .....	42
Údržba stroja	
Servis	
Uskladnenie	
8. TECHNICKÉ ÚDAJE .....	44
9. ČO ROBIŤ „KEĎ“ .....	44
10. VYHLÁSENIE O ZHODE .....	46
11. LIKVIDÁCIA .....	47
ZÁRUČNÝ LIST .....	64
ZÁRUČNÉ PODMIENKY .....	65

# 1. VŠEOBECNÉ BEZPEČNOSTNÉ PREDPISY

## Dôležité bezpečnostné upozornenia


- ✿ Výrobok opatrne vybalte a dajte pozor, aby ste nevyhodili žiadnu časť obalového materiálu skôr, než nájdete všetky súčasti výrobku.
- ✿ Výrobok skladujte na suchom mieste mimo dosahu detí.
- ✿ Prečítajte si všetky upozornenia a pokyny. Nedodržanie varovných upozornení a pokynov môže mať za následok úraz, požiar alebo ťažké poranenie.

## Obal

Výrobok je umiestnený v obale, ktorý zabraňuje poškodeniu pri preprave. Tento obal je surovina a preto sa dá použiť na recykláciu.

## Návod na použitie

Skôr, než začnete so strojom pracovať, prečítajte si nasledujúce bezpečnostné predpisy a návod na použitie. Zoznámte sa s obslužnými prvkami a správnym používaním zariadenia. Návod starostlivo uschovajte na neskoršie použitie. Minimálne počas záruky odporúčame uschovať originálny obal, vrátane vnútorného baliaceho materiálu, pokladničný doklad a záručný list. V prípade prepravy zabaľte stroj späť do originálnej škatule od výrobcu, zaistíte si tak maximálnu ochranu výrobku pri prípadnej preprave (napr. pri sťahovaní alebo odoslaní do servisného strediska).

-  **Poznámka:** Ak predávate stroj ďalším osobám, odovzdajte ho spoločne s návodom. Dodržiavanie priloženého návodu na použitie je predpokladom riadneho používania stroja. Návod na použitie obsahuje aj pokyny na obsluhu, údržbu a opravy.

**Výrobca nepreberá zodpovednosť za nehody alebo škody vzniknuté následkom nedodržiavania tohto návodu.**

## 2. VYSVETLENIE ŠTÍTKOV S POKYNYMI NA STROJI



Pred použitím si dôkladne prečítajte návod



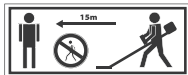
Pri práci používajte ochranné pomôcky



Všeobecné upozornenia na nebezpečenstvo!



Pozor, spätný ráz!



Udržujte ostatné osoby (najmä deti) a zvieratá z dosahu min. 15 m od pracovnej plochy.

## 3. POPIS STROJA A OBSAH DODÁVKY

### Popis stroja (pozri obr. 1)

- |                                   |                       |
|-----------------------------------|-----------------------|
| 1 - Motor                         | 8 - Kryt              |
| 2 - Vzduchový filter              | 9 - Teleso prevodovky |
| 3 - Záves                         | 10 - Rezný nástroj    |
| 4 - Hlavný spínač + ovládač plynu |                       |
| 5 - Držiak tyče rukoväti          |                       |
| 6 - Tyč rukoväti                  |                       |
| 7 - Hriadel'                      |                       |

### Použitie výrobku

Krovinorez je určený len na vyžínanie trávy, buriny, krovia alebo podrastu. Nesmie sa používať na iné účely, napríklad na zastrihávanie trávnikov alebo strihanie živých plotov, pretože v takom prípade môže dôjsť k úrazu.

### Charakteristika stroja

- ✿ Elektronický zapalovací systém
- ✿ Automatické centrifugálne uchopenie
- ✿ Špirálový prevod
- ✿ Kardanový hriadel'

**⚠ POZOR!** Ostré nože.

### Obsah dodávky

Opatrne vyberte stroj z obalu a skontrolujte, či nechýba žiadna z uvedených súčastí:

- ✿ Záhradný krovinorez
- ✿ Strunová hlava so strunou s dĺžkou 2,5 m a priemerom 2,4 mm
- ✿ Kotúčová hlava
- ✿ 3-zubý nôž
- ✿ Trubkový kľúč
- ✿ Návod na obsluhu

Ak diely chýbajú alebo sú poškodené, obráťte sa prosím na predajcu, od ktorého ste stroj kúpili.

## 4. MONTÁŽ STROJA

### Časti hnacieho hriadeľa

#### Montáž hnacieho hriadeľa (pozri obr. 2)


- ☼ Odskrutkujte šesťhranné skrutky (M6 x 10; obr. 2, 1).  
Pripevnite hnací hriadeľ ku krytu motora pomocou 4 skrutiek, pevne dotiahnite.

#### Montáž rukoväti (pozri obr. 3, 4, 5)

- ☼ Odskrutkujte skrutky (2), vložte tyče rukoväti do držiaka (1), zvolte pozíciu podľa vášho pracovného štýlu (pravák - spínač na pravej strane pri pohľade od motora). Horné diely držiaka predbežne naskrutkujte (4 skrutky) (2), upravte pozíciu tyčí rukoväti a skrutky (2) pevne dotiahnite.

### Časti prevodovky (pozri obr. 6, 7)

- ☼ Odskrutkujte bezpečnostnú skrutku, namontujte rezací nástroj v tomto poradí (pozri obr. 6): Prevodovka (1) - Unášač rezacej hlavy (2) - Rezací nôž (3) - Krytka (4) - Fixačná matica. (5)  
Na vyrovnanie drážky telesa prevodovky s otvorom unášača rezacej hlavy vložte skrutkovač. Maticu dotiahnite pomocou rúrkového kľúča (6) dodávaného v balení.

 **Poznámka:** Namiesto rezacieho noža sa dá na skrutku unášača natočiť hlavica so strunou.

- ☼ Namontujte bezpečnostný kryt (3) na tyč hriadeľa pomocou svorky (2) a skrutiek (1). Dbajte na správnu pozíciu (pozri obr. 7).

#### Výmena struny (pozri obr. 13, 14, 15, 16)

- ☼ Demontujte strunovú hlavicu, vyberte cievku so strunou a odstráňte zvyšok struny.
- ☼ Novú strunu s celkovou dĺžkou cca 2 metre pretiahnite oboma otvormi vo vnútornej časti strunovej hlavice (pozri obr. 14) tak, aby boli oba konce rovnako dlhé (pozri obr. 13).
- ☼ Oba konce natočte do cievky v smere šípky s označením WIND CORD (pozri obr. 15).
- ☼ Cievku so strunou umiestnite do hlavice (pozri obr. 16), oba konce struny pretiahnite protiľahlými otvormi v hlavici a skompletizujte (uzavrite) ju.

## 5. UVEDENIE DO PREVÁDZKY

### Kým začnete

- ✿ Upravte dĺžku ramenného popruhu a pozíciu rukoväti tak, aby ste sa cítili pri práci pohodlne. Skontrolujte dotiahnutie všetkých skrutiek a matíc.

### Doplnenie pohonnej hmoty

- ✿ Benzín - používajte len bezolovnatý motorový benzín s okt. číslom 95 (NATURAL 95).
- ✿ Olej - používajte len kvalitný dvojcyklový motorový olej, určený na vysokootáčkové motory. V pomere 1:25 premiešajte s benzínom a nalejte do nádrže.

### Plynová páka a hlavný vypínač (stop) (pozri obr. 8)

- ✿ Plynová páka (1) s elektrickým vypínačom (2) sú namontované len čiastočne. Vložte lanko plynu (4) do drážky tiahla karburátora a pripojte drôty elektrického vypínača. Plynová páka je z továrne vopred namontovaná na rukoväti (3).

**⚠ POZOR!** Pri nastavení plynového lanka dbajte na to, aby pri štartovaní nedošlo k roztočeniu rezacieho nástroja. Rezací nástroj by sa náhle roztočil vysokou rýchlosťou a mohol by byť nebezpečný. Lanko plynu musí byť nastavené tak, aby pri uvoľnení plynovej páčky motor bežal na voľnobeh (rezací nástroj sa neotáča).

### Štartovanie (pozri obr. 9)

- ✿ Stlačte plynovú páku do 1/4 plynového uzáveru a zaareťujte.
- ✿ Zapnite hlavný spínač.
- ✿ Nastavte páku sýtiča do pozície ZATVORENÉ (0).
- ✿ Rýchlo zatiahnite za štartér. Ak sa motor naštartuje, posuňte páku sýtiča znova do pozície OTVORENÉ (1). Tento postup opakujte, kým sa motor nenaštartuje a nezačne bežať.
- ✿ Po naštartovaní motora nechajte motor pred záťažou stroja cca 2-3 minúty zahriať pri otáčkach naprázdno 2500-2800 ot./min.

**⚠ POZOR!** Rezací nôž sa už pri štartovaní môže začať otáčať. Keď štartujete motor, nôž sa nesmie ničoho dotýkať.

### Nastavenie otáčok naprázdno (pozri obr. 2)

- ✿ Ak sú otáčky naprázdno príliš vysoké alebo nízke, nastavte otáčky naprázdno pomocou nastavovacej skrutky (3).
- ✿ Ak sú otáčky príliš vysoké, otočte nastavovacou skrutkou proti smeru hodinových ručičiek.
- ✿ Ak sú otáčky príliš nízke, otočte nastavovacou skrutkou v smere hodinových ručičiek.



## 6. POKYNY NA POUŽITIE

### Bezpečnostné inštrukcie

#### Čítajte pozorne!

- ✿ Vždy noste bezpečnostnú helmu, bezpečnostné rukavice, ochranný odev (protiprerezové nohavice), ochranné rukavice a bezpečnostnú obuv (pozri obr. 10).
- ✿ Stroj uchovávajte mimo dosahu detí.
- ✿ Nikdy nepracujte s motorom, ak je v palivovej nádrži iba benzín.
- ✿ Nikdy nedopĺňajte pohonné hmoty, kým motor beží alebo je ešte horúci. Naplňajte iba studený motor.
- ✿ Pohonné hmoty skladujte v uzavretom obale na suchom a chladnom mieste.
- ✿ Dodržiavajte bezpečnostné predpisy.
- ✿ Pred každým použitím skontrolujte pracovný priestor. Odstráňte predmety, ktoré by sa mohli odmrštiť alebo zakliniť do stroja.e.
- ✿ Pri práci musia byť všetky osoby z dosahu v okruhu minimálne 15 metrov.
- ✿ Nikdy nepoužívajte stroj bez nasadeného ochranného krytu (rezacieho noža).
- ✿ Nikdy nenaplňajte palivovú nádrž doplna.
- ✿ Uzáver palivovej nádrže musí byť pevne dotiahnutý, aby pohonná hmota nepretiekla.
- ✿ Nenechajte bežať stroj na plný plyn, ak je palivová nádrž prázdna.
- ✿ Nikdy stroj nevypínajte náhle, ak beží na plný plyn.
- ✿ Ak je stroj akokoľvek poškodený, nepoužívajte ho. Kontaktujte kvalifikovaný servis.
- ✿ Pri prenášaní uchopte zariadenie celé, nosenie za palivovú nádrž je nebezpečné, môže dôjsť k poškodeniu palivovej nádrže a požiaru.
- ✿ Krovínorez vždy držte oboma rukami.
- ✿ Horúci krovínorez nikdy neukladajte do suchej trávy.
- ✿ Pri práci so strojom je zakázané fajčiť.

### Bezpečnostné inštrukcie

#### Palivo

- ✿ Počas prepravy krovínorezu musí byť palivová nádrž prázdna.
- ✿ Pohonné hmoty prepravujte len v schválených kanistroch.
- ✿ Pravidelne kontrolujte viečko palivovej nádrže. Musia byť dotiahnuté a nesmie dochádzať k úniku palivovej hmoty.
- ✿ Chráňte životné prostredie: dávajte pozor, aby nedošlo k úniku palivových hmôt a kontaminácii pôdy.
- ✿ Stroj štartujte minimálne 3 metre od miesta, kde ste dopĺňali palivo.
- ✿ Palivo nikdy nedopĺňajte v uzavretých miestnostiach. Miestnosť musí byť dostatočne vetraná, inak hrozí nebezpečenstvo výbuchu.

- \* Výpary z paliva nevdychujte. Palivo dopĺňajte v ochranných rukaviciach.
- \* Ochranné oblečenie pravidelne vymieňajte a čistite.

## Bezpečnostné inštrukcie

### Rezacie nástroje

- \* Ak montujete rezací nástroj, skontrolujte stav noža. Ak je poškodený (prasknutý, ohnutý, odlomený a pod.), vymeňte ho.
- \* Po inštalácii noža skontrolujte, či je diera noža v rovine s ramenom unášača noža.
- \* Roztočte nôž, prekontrolujte, či nôž nemá tendenciu otáčať sa nepravidelne.
- \* Skontrolujte, či montujete nôž s ostrím v smere rotácie. Nikdy ho nemontujte obrátene.
- \* Skontrolujte, či bol rezací nástroj správne zmontovaný, a to otočením bez záťaže (stačí 1 minúta).
- \* Vždy je nutné vybrať nôž vhodný na daný rezací materiál.
- \* Počas prevádzky nikdy netlačte nôž na predmety. Predmety musia byť rezané pri pomalej rýchlosti.
- \* Ak počas prevádzky počujete neobvyklý zvuk alebo sa stroj neobvykle trasie, ukončíte prácu a zistíte príčinu.
- \* Stroj nezastavujte, ak je nôž v rezanom objekte. Hrozí nebezpečenstvo úrazu a poškodenia stroja.
- \* Rezací nástroj musí mať príslušný kryt.

**⚠ VAROVANIE!** Pri nedodržaní inštrukcií hrozí nebezpečenstvo vážneho až smrteľného zranenia osôb!

- \* Zoznámte všetky osoby pracujúce s týmto strojom s obsluhou stroja a bezpečnostnými inštrukciami.

## 7. ÚDRŽBA A USKLADNENIE

### Údržba stroja

- \* Pred každým použitím:
  - Skontrolujte doťahnutie všetkých skrutiek a matíc.
  - Skontrolujte, či nevyteká z palivovej nádrže pohonná hmota.
- \* Po každých 20 hodinách prevádzky:
  - Vyčistíte vzduchový filter (1) (pozri obr. 11).
  - Vyčistíte filter paliva.
- \* Po každých 50 hodinách prevádzky:
  - Vyčistíte zapalovaciu sviečku a nastavíte medzeru medzi elektródami na vzdialenosť 0,6 - 0,7 mm (pozri obr. 12).

- Vyčistite usadeniny z výfuku a tlmiče výfuku.
- Hriadeľ znova odmontujte a premažte kvalitným mazivom
- \* Prevodovku premažte mazivom.
- \* Skontrolujte montáž po vykonaní údržby a skontrolujte dotiahnutie všetkých skrutiek a matíc.
- \* Dôkladne skontrolujte, či nevyteká palivová kvapalina.

## Servis

- \* V prípade, že po zakúpení výrobku zistíte akúkoľvek poruchu, kontaktujte servisné oddelenie. Pri použití výrobku sa riadte pokynmi uvedenými v priloženom návode na použitie.
- \* Na reklamáciu nebude braný ohľad, ak ste výrobok upravili alebo ste sa neriadili pokynmi uvedenými v návode na použitie.

## Záruka sa nevzťahuje:

- \* Na prirodzené opotrebenie funkčných častí stroja v dôsledku jeho používania,
- \* Na servisné zásahy súvisiace so štandardnou údržbou stroja (napr. čistenie, mazanie, nastavenie a pod.),
- \* Na poruchy a kazy spôsobené vonkajšími vplyvmi (napr. klimatickými podmienkami, prašnosťou, nevhodným používaním a pod.),
- \* Na mechanické poškodenie v dôsledku pádu stroja, nárazu, úderu do neho a pod.,
- \* Na škody vzniknuté neodborným zaobchádzaním, preťažením, použitím nesprávnych dielov, nevhodných nástrojov a pod. V prípade reklamovaných výrobkov, ktoré neboli riadne zabezpečené proti mechanickému poškodeniu pri preprave, nesie riziko prípadnej škody výhradne majiteľ.

## Uskladnenie

- ⚠ POZOR!** Ak stroj dlhšiu dobu nepoužívate, uskladnite ho podľa nasledujúcich pokynov. Predĺžite tak životnosť stroja.
- \* Kompletne vylejte palivo z palivovej nádrže a karburátora. Zatvorte sýtič a 3 až 5-krát potiahnite štartér.
- \* Vyskrutkujte zapalovaciu sviečku a nalejte do otvoru malé množstvo motorového oleja. Jemne potiahnite 2 až 3-krát štartér.
- \* Čistou handrou vyčistite vonkajšie plochy. Stroj uskladnite na čistom a suchom mieste.

## 8. TECHNICKÉ ÚDAJE

Model .....	FZS 4003-B
Obsah valca .....	42,7 cm <sup>3</sup>
Maximálny výkon motora .....	1,25 kW
Dĺžka hriadeľa .....	1500 mm
Typ motora .....	2-taktný chladený vzduchom
Otáčky chodu bez záťaže .....	3000 ot/min
Odporúčané maximálne otáčky bez zaťaženia .....	9000 ot/min
Zapaľovacia sviečka .....	L6 (LD)
Objem palivovej nádrže .....	1200 ml
Hmotnosť bez paliva a žacích nástrojov .....	7,5 kg
Hladina akustického výkonu, zaručená LWA .....	110 dB (A)

Návod na použitie – len jazyková mutácia.

## 9. ČO ROBIŤ „KEĎ“ ...

Motor neštartuje	Možná príčina	Odstránenie
1. Skontrolujte palivo.	V karburátore alebo v nádrži nie je palivo.	Doplňte palivo.
	Palivo obsahuje vodu.	
	Nesprávny pomer zmesi pohonnej hmoty.	Vypusťte palivovú nádrž a karburátor. Naplňte nádrž novým palivom.
2. Vyberte a skontrolujte zapaľovaciu sviečku.	Pokazená alebo znečistená sviečka.	Vymeňte zapaľovaciu sviečku.
	Nesprávna medzera medzi elektródami.	
	Zapaľovacia sviečka je vlhká, znečistená benzínom (zahľtený motor).	Vysušte a opäť namontujte zapaľovaciu sviečku.
3. Zavezte motor do kvalifikovaného servisu alebo k predajcovi.	Upchaný palivový filter, porucha karburátora, porucha zapaľovania, upchané ventily a pod.	Vymeňte alebo opravte pokazené diely.

<b>Nedostatočne funkčný motor</b>	<b>Príčina poruchy</b>	<b>Oprava</b>
1. Skontrolujte vzduchový filter.	Znečistený vzduchový filter.	Vyčistite alebo vymeňte vložku vzduchového filtra.
2. Skontrolujte palivo.	Palivo obsahuje vodu.	Vypusťte palivovú nádrž a karburátor. Naplňte nádrž novým palivom.
	Nesprávny pomer zmesi pohonnej hmoty.	
3. Skontrolujte nastavenie sýtiča a ovládanie plynu.	Sýtič nebol úplne otvorený.	Upravte nastavenie.
	Nesprávne nastavené plynové lanko.	
4. Zavezte motor do kvalifikovaného ser-venu alebo k predajcovi.	Upchaný palivový filter, porucha karburátora, porucha zapalovania, upchané ventily a pod.	Vymeňte alebo opravte pokazené diely

<b>Motor naštartuje, ale hneď zhasne</b>	<b>Možná príčina</b>	<b>Odstránenie</b>
1. Skontrolujte palivo.	Došlo palivo.	Doplňte palivo.
	Palivo obsahuje vodu.	Vypusťte palivovú nádrž a karburátor. Naplňte nádrž novým palivom.
	Nesprávny pomer zmesi pohonnej hmoty.	
2. Vyberte a skontrolujte zapalovaciu sviečku.	Pokazená alebo znečistená sviečka.	Vymeňte zapalovaciu sviečku.
	Nesprávna medzera medzi elektródami.	
3. Skontrolujte vzduchový filter.	Znečistený vzduchový filter. Upchaný vzduchový filter.	Vyčistite alebo vymeňte vložku vzduchového filtra.
4. Zavezte motor do kvalifikovaného servisu alebo k predajcovi.	Upchaný odzdušňovací ventil.	Vymeňte alebo opravte pokazené diely.
	Upchaný palivový filter, porucha karburátora, porucha zapalovania, upchané ventily a pod.	

# 10. VYHLÁSENIE O ZHODE

## ES Vyhlásenie o zhode

Fast ČR, a.s., Černokostelecká 251 01 Říčany u Prahy, tel.: 323204111, záväzne vyhlasujeme, že krovinořez Fieldmann FS 4003- (rok výroby je vyznačený na typovom štítku a je nasledovaný výrobným číslom stroja, spĺňuje predpisy SMERNICE RADY:

ES č. 2006/42/ES, 2006/95/ES, (číslo schvaovacieho certifikátu: 17704045 001)

ES č. 2004/26/ES emisie výfukových plynov

a bol testovaný v zhode s nižšie uvedenými normami:

EN ISO 11806:2008

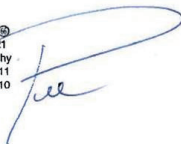
Firma FAST ČR, a.s. je oprávnená kona menom výrobcu.

CE label: 13

V Říčanoch dňa 29. 11. 2013

meno pečiatka podpis

**FAST** FAST ČR, a.s. ©  
Černokostelecká 1621  
251 01 Říčany u Prahy  
ICO: 26726548 tel.: +420/ 323 204 111  
DIČ: CZ26726548 fax: +420/ 323 204 110



Petr Uher manažér kvality

# 11. LIKVIDÁCIA

## **POKYNY A INFORMÁCIE O ZAOBCHÁDZANÍ S POUŽITÝM OBALOM**

Použitý obalový materiál odložte na miesto určené obcou na ukladanie odpadu.



Tento symbol je platný v Európskej únii. Ak chcete tento výrobok zlikvidovať, vyžiadajte si potrebné informácie o správnom spôsobe likvidácie od miestnych úradov alebo od svojho predajcu.



Tento výrobok spĺňa všetky základné požiadavky smerníc EÚ, ktoré sa naň vzťahujú.

Zmeny v texte, dizajne a technických špecifikáciách sa môžu meniť bez predošlého upozornenia a vyhradzuje si právo na ich zmenu.





# Kosa spalinowa

## INSTRUKCJA OBSŁUGI

**Dziękujemy za zakup naszego produktu. Przed rozpoczęciem pracy należy zapoznać się z niniejszą instrukcją obsługi. Instrukcje obsługi należy zachować w celu jej późniejszego wykorzystywania.**

## SPIS TREŚCI

ZDJĘCIA I RYSUNKI .....	3
1. OGÓLNE PRZEPISY BEZPIECZEŃSTWA .....	50
Ważne uwagi dotyczące bezpieczeństwa	
Opakowanie	
Instrukcja obsługi	
2. OBJAŚNIENIA DO TABLICZEK INFORMACYJNYCH NA URZĄDZENIU .....	51
3. OPIS URZĄDZENIA I ZAWARTOŚĆ OPAKOWANIA .....	52
4. MONTAŻ URZĄDZENIA .....	53
5. EKSPLOATACJA .....	54
Zanim zaczniesz	
Uzupełnienie paliwa	
Dźwignia gazu i wyłącznik główny (STOP)	
Uruchomienie	
Ustawienie obrotów na biegu jałowym	
6. INSTRUKTAŻ .....	55
Instrukcja bezpieczeństwa	
Instrukcja bezpieczeństwa – paliwo	
Instrukcja bezpieczeństwa – urządzenia tnące	
7. KONSERWACJA I PRZECHOWYWANIE .....	57
Konservacja urządzenia	
Serwis	
Przechowywanie	
8. DANE TECHNICZNE .....	58
9. USUWANIE USTEREK .....	59
10. DEKLARACJA ZGODNOŚCI .....	61
11. UTYLIZACJA.....	62
KARTA GWARANCYJNA .....	64
WARUNKI GWARANCJI .....	65

# 1. OGÓLNE PRZEPISY BEZPIECZEŃSTWA

## Ważne uwagi dotyczące bezpieczeństwa


- ✿ Produkt należy starannie rozpakować, należy zwrócić uwagę na wyjęcie z opakowania wszystkich części produktu.
- ✿ Produkt należy przechowywać w miejscu suchym, zabezpieczyć przed dostępem dzieci.
- ✿ Przeczytać wszelkie uwagi i instrukcje. Zaniedbania w stosunku do uwag i instrukcji mogą być powodem urazu, pożaru i/lub ciężkiego zranienia.

## Opakowanie

Produkt jest zapakowany do opakowania chroniącego go przed uszkodzeniem w czasie transportu. Opakowanie jest surowcem wtórnym i należy poddać je recyklingowi.

## Instrukcja obsługi

Przed rozpoczęciem korzystania z urządzenia należy zapoznać się z poniższymi przepisami bezpieczeństwa i instrukcją obsługi. Należy zapoznać się z elementami obsługi i właściwym korzystaniem z urządzenia. Instrukcje należy przechowywać w celu późniejszego z niej korzystania. Przez okres trwania gwarancji zaleca się przechowanie oryginalnego opakowania wraz z materiałami opakunkowymi, dokument zakupu i kartę gwarancyjną. Przechowanie opakowania ułatwi w przyszłości ewentualny transport urządzenia (przeprowadzka, odesłanie do naprawy).

 **Uwaga:** Jeżeli nastąpi przekazanie urządzenia innym użytkownikom, należy przekazać również instrukcję obsługi. Stosowanie się do zaleceń zawartych w instrukcji zapewni właściwe użytkowanie urządzenia. Instrukcja obsługi zawiera również instrukcje konserwacji urządzenia i napraw.

**Producent nie ponosi odpowiedzialności za wypadki lub szkody powstałe w wyniku nie stosowania się do niniejszej instrukcji obsługi.**

## 2. OBJAŚNIENIA DO TABLICZEK INFORMACYJNYCH NA URZĄDZENIU



Przed użytkowaniem należy zapoznać się z instrukcją.



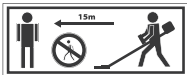
W czasie pracy używać środków ochrony osobistej.



Uwaga niebezpieczeństwo!



Uwaga odrzut!



Obecność ludzi (zwłaszcza dzieci) i zwierząt w odległości mniejszej niż 15 m od miejsca pracy jest niedozwolona.

# 3. OPIS URZĄDZENIA I ZAWARTOŚĆ OPAKOWANIA

## Opis urządzenia (zobacz rys. 1)

- |                                     |                        |
|-------------------------------------|------------------------|
| 1 - Silnik                          | 8 - Osłona             |
| 2 - Filtr powietrza                 | 9 - Obudowa przekładni |
| 3 - Zaczep                          | 10 - Urządzenie tnące  |
| 4 - Włócznik główny + dźwignia gazu |                        |
| 5 - Zaczep uchwyty                  |                        |
| 6 - Uchwyt kosi                     |                        |
| 7 - Rura nośna                      |                        |

## Przeznaczenie

Używaj kosę spalinową tylko do celów, do których została zaprojektowana: ścinanie trawy, chwastów, zarośli lub podsycia. Nie używaj kosi do innych celów, na przykład koszenia trawników lub strzyżenia żywopłotów. Użycie maszyny w innym celu może stanowić zagrożenie dla operatora i osób postronnych.

## Charakterystyka urządzenia

- \* Elektroniczny system uruchamiania
- \* Automatyczny uchwyt odśrodkowy
- \* Przekładnia spiralna
- \* Wał Cardana

**⚠ UWAGA!** Ostre noże.

## Zawartość opakowania

Delikatnie wyjąć urządzenie z opakowania i sprawdzić, czy są wszystkie z wymienionych poniżej części:

- \* Kosa ogrodowa
- \* Głowica do żyłki, z żyłką o długości 2,5 m i średnicy 2,4 mm
- \* Głowica tarczowa
- \* Nóż 3-zębny
- \* Klucz rurkowy
- \* Instrukcja obsługi

Jeżeli stwierdzą Państwo brak elementów lub ich uszkodzenie, prosimy o interwencję u sprzedawcy, u którego dokonano zakupu urządzenia.

## 4. MONTAŻ URZĄDZENIA

### Części wału napędowego

#### Montaż wału napędowego (zobacz rys. 2)

- ✿ Odkręć śruby sześciokątne (M6 x 10; rys. 2, 1).  
Przymocuj wał napędowy do osłony silnika używając 4 śrub. Dobrze dokręć.

#### Montaż uchwytu kosi (zobacz rys. 3, 4, 5)

- ✿ Odkręć śruby (2), zamontuj rurę uchwytu w punkcie zaczepienia uchwytu na wysięgniku (1), wyważ kosę tak, aby uzyskać najkorzystniejsze i najwygodniejsze ustawienie (osoba praworęczna włącznik/wyłącznik po prawej stronie patrząc od silnika). Przykręć wstępnie górne elementy uchwytu ( 4 śruby) (2), sprawdź ponownie wyważenie i jeśli będzie to konieczne – jeszcze raz popraw. Następnie dokręć śruby (2) mocujące uchwyt.

#### Elementy przekładni (zobacz rys. 6, 7)

- ✿ Odkręć śrubę zabezpieczającą, załóż narzędzie tnące montując elementy tnące w następującej kolejności (zobacz rys. 6): Przekładnia (1) – Zabierak głowicy tnącej (2) - Ostrze (3) – Osłona ostrza (4) – Nakrętka mocująca (5). Użyj śrubokrętu, żeby rowki wału przekładni wpasowały się w otwór zabieraka głowicy tnącej. Dokręć nakrętkę przy pomocy klucza rurkowego (6) będącego na wyposażeniu.

 **Uwaga:** Zamiast noża można na śrubę zabieraka wkręcić głowicę z żyłką.

- ✿ Załóż osłonę zabezpieczającą (3) osłonę wału używając zacisku (2) i śrub (1) . Należy zwrócić uwagę na poprawne zamontowanie osłony. ( zobacz rys. 7)

#### Wymiana żyłki (zobacz rys. 13, 14, 15, 16)

- ✿ Zdemontować głowicę, wyjąć cewkę z żyłką i usunąć resztki żyłki.
- ✿ Nową żyłkę o długości około 2 metrów przełożyć przez dwa otwory znajdujące się w wewnętrznej części głowicy (zobacz rys.14) tak, aby oba wystające końce żyłki miały jednakową długość (zobacz rys. 13).
- ✿ Oba końce żyłki nawinąć na cewkę zgodnie z kierunkiem strzałki oznaczonej WIND CORD (zobacz rys. 15).
- ✿ Cewkę z nawiniętą żyłką umieścić w głowicy (zobacz rys. 16), dwa końce żyłki przeciągnąć przez przeciwległe otwory głowicy i zamknąć głowicę.

## 5. EKSPLOATACJA

### Zanim zaczniesz

- ✿ Wyreguluj długość paska naramiennego i pozycję uchwytu kosi, tak aby można było wygodnie operować kosą. Sprawdź dokręcenie wszystkich śrub i nakrętek.

### Uzupełnianie paliwa

- ✿ Benzyna – używaj wyłącznie bezołowiowej 95 oktanowej benzyny silnikowej (NATURAL 95).
- ✿ Olej – używaj wyłącznie dobrej jakości oleju silnikowego przeznaczonego do silników dwusuwowych, przystosowanego dla silników wysokoobrotowych. Olej z benzyną zmieszać w stosunku 1:25 i wlać do zbiornika.

### Dźwignia gazu i wyłącznik główny (stop) (zobacz rys. 8)

- ✿ Dźwignia gazu (1) z elektrycznym wyłącznikiem (2) jest zamontowana tylko częściowo. Włóż linkę gazu (4) do wpustu cięgła gaźnika i podłącz przewody wyłącznika elektrycznego. Dźwignia gazu jest zamontowana fabrycznie na uchwycie (3).

**⚠ OSTRZEŻENIE!** Regulując linkę gazu uważaj, żeby podczas uruchamiania silnika ostrze nie zaczęło się obracać. Ostrze mogłoby się nagle zacząć obracać z wysoką prędkością i mogłoby spowodować sytuację niebezpieczną. Linka gazu musi być tak wyregulowana, żeby przy zwolnieniu dźwigni gazu silnik pracował na wolnych obrotach ( urządzenie tnące nie obraca się).

### Uruchomienie (zobacz rys. 9)

- ✿ Wprowadzić dźwignię gazu w położenie na 1/4 regulacji gazu
- ✿ Włączyć wyłącznik główny
- ✿ Ustawić dźwignię ssania w pozycji ZAMKNIĘTE (0).
- ✿ Szybko pociągnąć za rączkę startera. Jeżeli silnik zastartuje, przesunąć dźwignię ssania znowu w położenie OTWARTE (1). Powtarzaj, aż silnik zacznie pracować.
- ✿ Po uruchomieniu silnika, pozostaw silnik, przed obciążeniem urządzenia przez około 2 – 3 minuty na obrotach 2500 – 2800 obrotów/minutę w celu zagrzania silnika.

**⚠ UWAGA!** Podczas rozruchu ostrze tnące może zacząć się obracać. Zanim uruchomisz silnik upewnij się, że elementy tnące nie dotykają podłoża ani innych przedmiotów.

### Regulacja obrotów bez obciążenia (zobacz rys. 2)

- ✿ Jeżeli obroty silnika są zbyt wysokie lub niskie, wyreguluj obroty za pomocą śruby regulującej (3), bez obciążania silnika.
- ✿ Jeżeli obroty są zbyt wysokie, obróć śrubę regulacyjną w kierunku przeciwnym do ruchu wskazówek zegara.

- ✿ Jeżeli obroty są zbyt niskie, obróć śrubę regulacyjną w kierunku zgodnym z ruchem wskazówek zegara.

## 6. INSTRUKCJA UŻYTKOWANIA

### Instrukcja bezpieczeństwa

#### Przeczytaj dokładnie!

- ✿ Zawsze używaj kasku, rękawic ochronnych, odzieży ochronnej (spodnie odporne na przecięcia) i obuwia ochronnego (zobacz rys. 10)
- ✿ Urządzenie przechowuj w miejscu niedostępnym dla dzieci.
- ✿ Nigdy nie uruchamiaj silnika, jeżeli w zbiorniku jest tylko benzyna.
- ✿ Nigdy nie uzupełniaj paliwa, gdy silnik pracuje lub jest gorący. Dolewaj paliwa tylko wtedy, gdy silnik jest zimny.
- ✿ Paliwo przechowuj wyłącznie w zamkniętych kanistrach do tego przeznaczonych, w suchym i chłodnym miejscu.
- ✿ Zawsze stosuj się do przepisów bezpieczeństwa.
- ✿ Przed każdym uruchomieniem urządzenia sprawdź powierzchnię, którą będziesz kosił. Usuń wszelkie przedmioty, które mogą zostać wyrzucone przez nóż kosi lub mogą uwięznąć w urządzeniu.
- ✿ Pracując kosą zachowaj odległość o promieniu minimum 15 metrów od osób trzecich.
- ✿ Nigdy nie używaj urządzenia bez zamontowanej osłony ochronnej (ostrza).
- ✿ Nie przepelniaj zbiornika paliwa.
- ✿ Korek wlewu paliwa musi być dokładnie dokręcony, żeby nie nastąpił wyciek paliwa.
- ✿ Nie dopuszczaj do pracy silnika na pełnym gazie, jeżeli zbiornik paliwa jest pusty.
- ✿ Nigdy nie wyłączaj urządzenia, jeżeli silnik pracuje na pełnym gazie.
- ✿ Nigdy nie używaj kosi, która ma zużyte lub uszkodzone części. W takim wypadku skontaktuj się z autoryzowanym serwisem.
- ✿ Przy przenoszeniu urządzenia należy uchwycić je całe, przenoszenie trzymając je za zbiornik paliwa może doprowadzić do uszkodzenia zbiornika i pożaru.
- ✿ Kosę spalinową zawsze trzymaj obiema rękoma.
- ✿ Gorącą kosę nigdy nie kładź na suchą trawę.
- ✿ Podczas obsługi kosi nie wolno palić.

### Instrukcje bezpieczeństwa

#### Paliwo

- ✿ Podczas transportu kosi zbiornik paliwa musi być pusty.
- ✿ Paliwo transportuj wyłącznie w zamkniętych przeznaczonych do tego celu kanistrach.

- ✿ Regularnie sprawdzaj korek wlewu paliwa – musi być dobrze dokręcony, aby nie doszło do wycieku paliwa.
- ✿ Dbaj o środowisko: uważaj, aby nie nastąpił wyciek paliwa i w następstwie skażenie gleby.
- ✿ Uruchamiając kosę zachowaj co najmniej 3 metrową odległość od miejsca, gdzie uzupełniałeś paliwo.
- ✿ Uzupełniaj paliwo w miejscach gdzie jest zapewnione odpowiednie przewietrzanie, nigdy nie w zamkniętych pomieszczeniach – niebezpieczeństwo wybuchu.
- ✿ Nie wdychaj oparów z paliwa. Uzupełniając paliwo załóż rękawice ochronne.
- ✿ Regularnie zmieniaj i czyść odzież ochronną.

## Instrukcje bezpieczeństwa

### Urządzenia tnące

- ✿ Montując urządzenie tnące, zawsze dokładnie sprawdź stan noża. Jeżeli jest uszkodzony (pęknięty, zgięty, złamany itp.), wymień.
- ✿ Po zamontowaniu ostrza sprawdź, czy otwór ostrza jest w jednej płaszczyźnie z ramieniem zabieraka.
- ✿ Rozkręć ostrze, sprawdź czy ostrze nie ma tendencji do niewłaściwego obracania się.
- ✿ Sprawdź czy zakładasz nóż ostrzem w kierunku obrotu silnika. Nigdy nie zakładasz noża odwrotnie.
- ✿ Sprawdź, czy narzędzie tnące zostało prawidłowo założone, urządzenie powinno pracować bez obciążenia około 1 minuty.
- ✿ Nóż musi być odpowiednio dobrany do tego, co zamierzamy kosić.
- ✿ Nigdy nie naciskaj w czasie pracy ostrzem na koszony materiał, kosić należy z dobrze dobraną prędkością.
- ✿ Jeżeli w czasie koszenia usłyszysz nietypowy dźwięk lub poczujesz nietypową wibrację, przerwij koszenie i znajdź przyczynę.
- ✿ Nie zatrzymuj urządzenia, jeżeli nóż znajduje się w koszonej materii. Grozi to niebezpieczeństwem odniesienia urazu i uszkodzeniem urządzenia.
- ✿ Urządzenie tnące musi być zabezpieczone odpowiednią osłoną ochronną.

**⚠ OSTRZEŻENIE!** Niestosowanie się do zaleceń zawartych w instrukcji może spowodować bardzo poważne a nawet śmiertelne obrażenia!

- ✿ Zapoznaj wszystkie osoby obsługujące kosę spalinową z instrukcją obsługi i oraz wymogami bezpieczeństwa.



# 7. KONSERWACJA I PRZECHOWYWANIE

## Konserwacja urządzenia

- ✿ Każdorazowo przed uruchomieniem kosy:
  - Sprawdź stan dokręcenia wszystkich śrub i nakrętek
  - Sprawdź, czy ze zbiornika nie wycieka paliwo
- ✿ Każdorazowo po 20 godzinach pracy:
  - Wyczyścić filtr powietrza (1) (zobacz rys. 11)
  - Wyczyścić filtr paliwa
- ✿ Każdorazowo po 50 godzinach pracy:
  - Oczyszczyć świecę zapłonową i ustawić przerwę pomiędzy elektrodami na odległość 0,6 - 0,7mm. (zobacz rys.12)
  - Usunąć osady z układu wydechowego
  - Zdemontować wał i przesmarować smarem dobrej jakości
- ✿ Przesmarować przekładnię
- ✿ Sprawdź montaż po zakończeniu przeglądu, dokręcenie wszystkich śrub i nakrętek
- ✿ Dokładnie sprawdź, czy nie wycieka paliwo

## Serwis

- ✿ Jeżeli po dokonaniu zakupu stwierdzisz jakąś wadę, skontaktuj się z obsługą serwisową. Podczas pracy należy kierować się wskazówkami zawartymi w załączonej instrukcji obsługi.
- ✿ Reklamacja urządzenia nie będzie rozpatrywana, jeżeli nastąpiło samowolne przekonstruowanie produktu lub w czasie użytkowania nie dostosowywano się do zaleceń zawartych w instrukcji obsługi.

## Gwarancja nie obejmuje:

- ✿ naturalnego zużycia części urządzenia w następstwie użytkowania
- ✿ obsługi serwisowej związanej z normalną konserwacją (czyszczenie, smarowanie, regulacja itp.)
- ✿ uszkodzeń związanych z działaniem wpływów zewnętrznych (warunki klimatyczne, zapylenie, niewłaściwe użytkowanie itp.)
- ✿ uszkodzeń mechanicznych spowodowanych upadkiem, uderzeniem, itp.
- ✿ szkód spowodowanych niewłaściwym obchodzeniem się z urządzeniem, przeciążeniem, stosowaniem niewłaściwych części zamiennych, niewłaściwych narzędzi itp. Przy produktach reklamowanych, które nie były właściwie zabezpieczone na czas transportu, ryzyko ewentualnego uszkodzenia mechanicznego ponosi wyłącznie właściciel urządzenia.

## Przechowywanie

- ⚠ OSTRZEŻENIE!** Jeżeli przez dłuższy czas nie używasz urządzenia, przechowuj go zgodnie z poniższymi zaleceniami. Przedłużysz w ten sposób żywotność urządzenia.
- ✿ Wylej całe paliwo ze zbiornika i z gaźnika. Zamknij ssanie i 3 do 5 razy pociągnij za rączkę startera.
  - ✿ Wykręć świecę zapłonową i wlej do otworu niewielką ilość oleju silnikowego. Delikatnie pociągnij za rączkę startera 2 do 3 razy.
  - ✿ Używając czystej ściereczki wyczyść powierzchnie zewnętrzne. Urządzenie przechowuj w czystym i suchym miejscu.

## 8. DANE TECHNICZNE

Model .....	FZS 4003-B
Pojemność cylindra .....	42,7 cm <sup>3</sup>
Moc maksymalna silnika .....	1.25 kW
Długość wału .....	1500 mm
Typ silnika .....	dwusuw chłodzony powietrzem
Obroty silnika bez obciążenia .....	3000 obr./min
Zalecane obroty maksymalne bez obciążenia .....	9000 ot/min
Świeca zapłonowa .....	L6 (LD)
Pojemność zbiornika na paliwo .....	1200 ml
Masa bez paliwa i urządzeń tnących .....	7,5 kg
Poziom mocy akustycznej, gwarantowany .....	LWA 110 dB(A)

Instrukcja użytkowania - tylko wersja językowa

## 9. USUWANIE USTEREK

<b>Silnik nie zapala</b>	<b>Możliwa przyczyna</b>	<b>Usunięcie</b>
1. Sprawdzić paliwo.	W gaźniku lub w zbiorniku brak paliwa	Uzapełnić paliwo.
	Woda w paliwie	
	Niewłaściwa mieszanka	Wylać paliwo ze zbiornika i gaźnika. Napełnić zbiornik świeżym paliwem
2. Wykręcić i sprawdzić świecę zapłonową	Uszkodzona lub zabrudzona świeca.	Wymienić świecę zapłonową.
	Niewłaściwa przerwa między elektrodami.	
	Mokra świeca zalana benzyną, (zalany silnik).	Wysuszyć i wkręcić świecę.
3. Odstawić silnik do serwisu lub sprzedawcy	Zapchany filtr paliwa, uszkodzenie gaźnika, zapłonu, zapchane zawory itp.	Wymienić lub naprawić uszkodzone części

<b>Nieprawidłowa praca silnika</b>	<b>Przyczyna uszkodzenia</b>	<b>Naprawa</b>
1. Sprawdź filtr powietrza	Zanieczyszczony filtr powietrza.	Wyczyścić lub wymienić wkładkę filtra.
2. Sprawdź paliwo.	Woda w paliwie.	Wylać paliwo ze zbiornika i gaźnika. Napełnić zbiornik świeżym paliwem.
	Niewłaściwa mieszanka.	
3. Sprawdź ssanie i regulację gazu.	Ssanie nie było otwarte.	Wyregulować.
	Źle wyregulowana linka gazu.	
4. Odstawić silnik do serwisu lub sprzedawcy.	Zapchany filtr paliwa, uszkodzenie gaźnika, zapłonu, zapchane zawory itp.	Wymienić lub naprawić uszkodzone części.

<b>Silnik startuje i zaraz gaśnie</b>	<b>Możliwa przyczyna</b>	<b>Usunięcie</b>
1. Sprawdź paliwo.	Brak paliwa	Uzupelić
	Woda w paliwie.	Wylać paliwo ze zbiornika i gaźnika. Napełnić zbiornik świeżym paliwem.
	Niewłaściwa mieszanka.	
2. Wykręcić i sprawdzić świecę zapłonową.	Uszkodzona lub zabrudzona świeca.	Wymienić świecę zapłonową.
	Niewłaściwa przerwa między elektrodami.	
3. Sprawdź filtr powietrza.	Zabrudzony filtr powietrza. Zapchany filtr powietrza.	Wyczyścić lub wymienić wkładkę filtra.
4. Odstawić silnik do serwisu lub sprzedawcy	Zapchany zawór odpowietrzający.	Wymienić lub naprawić uszkodzone części.
	Zapchany filtr paliwa, uszkodzenie gaźnika, zapłonu, zapchane zawory itp.	

# 10. DEKLARACJA ZGODNOŚCI

## ES Deklaracja zgodności

Fast ČR, a.s., Černokostelecká 251 01 Říčany koło Prahy, tel.:323204111, wiążąco oświadcza, że nożyce do krzewów Fieldmann FZS 4003 – B (rok produkcji jest zamieszczony na tabliczce znamionowej, a po nim następuje numer fabryczny urządzenia, spełniają wymagania przepisów DYREKTYW RADY:

ES nr 2006/42/EC, 2006/95/IEC, (numer aprobaty:17704045 001)

ES nr 2004/26/ES emisja gazów wydechowych

i były testowane zgodnie z niżej wymienionymi normami:

EN ISO 11806:2008

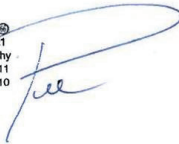
Firma FAST ČR, a.s. jest upoważniona do działania w imieniu producenta.

CE label: 13

W Říčanech, dnia 29. 11. 2013

pieczętka imienna, podpis

**FAST** FAST ČR, a.s.  
Černokostelecká 1621  
251 01 Říčany u Prahy  
ICO: 26726548 tel.: +420/ 323 204 111  
DIČ: CZ26726548 fax: +420/ 323 204 110



Petr Uher menadžer jakości

# 11. UTYLIZACJA

## **ZALECENIA I INFORMACJE DOTYCZĄCE POSTĘPOWANIA ZE ZUŻYTYM OPAKOWANIEM**

Wykorzystany materiał opakowaniowy wywieźć na miejscowe wysypisko.



Niniejszy symbol obowiązuje w Unii Europejskiej. Jeżeli chcesz zutylizować niniejszy produkt, zwróć się o informację dotyczącą właściwego sposobu utylizacji, do właściwych co do miejsca urzędów lub do swego sprzedawcy



Niniejszy produkt spełnia wszystkie podstawowe wymagania wytycznych UE, które go dotyczą.

Zmiany w tekście, formie i specyfikacjach technicznych mogą ulegać zmianom bez uprzedniego poinformowania i zapewniamy sobie prawo do ich dokonywania.





Záruční list | Záručný list | Warranty Certificate |  
Jótállási jegy | Garantijos taisyklės | Karta Gwarancyjna |

Vyplňte prodejce. | Vyplniť predajca. | To be filled in by the seller.  
| Wypełnia sprzedawca. | A kéréskedő tölts ki.

Název: | Názov: | Name: | Nazwa: | Megnevezés:

Typ: | Typus: | Tipus:

Výrobní číslo: | Vyrábne číslo: | Serial number: | Numer seryny: | Gyártási szám:

A termék azonosítóra alkalmas részecskéket meghatározásra lamennyiben alkalmazható:

Číslo prodejního dokumentu: | Číslo predajného dokumentu: | Sales document no.: | Numer dokumentu sprzedazy: | Vásárlási igazoló bizonylat száma:

Datum nákupu (vedení do provozu): | Datum nákupu (vedenie do prevádzky): | Date of purchase (putting into operation): | Dátum zakupu (prerokovanie do eksploatacji): | A vásárlás dátuma bejegyzésének időpontja:

Den: | Dát: | Day: | Dátum: | Nap: ..... Měsíc: | Mesiac: | Month: | Mesiac: | Hó: ..... Rok: | Year: | Év: ..... 20

Razítko prodejce: | Pečiatka predajcu: | Seller's stamp: | Pieczęć sprzedawcy: | Kereskedő bélyegzője:

V prípade opravy vyplní servis. | V prípade opravy vyplní servis. | To be filled in by a repair shop in case of repair. | W przypadku naprawy wypełnia serwis. | Javítás esetén a szerviz tölti ki.

Datum oznámení nároku na záruku: | Datum oznámenia nároku na záruku: | Date of notification of the entitlement to warranty: | Data zgłoszenia roszczeń gwarancyjnych: | A jótállási igény bejelentésének időpontja:

Den: | Dát: | Day: | Dátum: | Nap: ..... Měsíc: | Mesiac: | Month: | Mesiac: | Hó: ..... Rok: | Year: | Év: ..... 20

Datum převzetí do opravy: | Datum prevzatia do opravy: | Date of acceptance for repair: | Javításra átvétel időpontja:

Den: | Dát: | Day: | Dátum: | Nap: ..... Měsíc: | Mesiac: | Month: | Mesiac: | Hó: ..... Rok: | Year: | Év: ..... 20

Důvod poruchy: | Dóvod poruchy: | Cause of defect: | Przyczyna awarii: | Hiba oka:

Způsob opravy: | Spôsob opravy: | Mode of repair: | Módszér javítás: | Javítás módja:

Datum vrácení výrobku zpět zákazníkovi: | Datum vrátenia výrobku späť zákazníkovi: | Date of returning the product back to the customer: | Dátum zwrotu wyrobu klientowi: | A termék fogyasztó részére való visszaadásának időpontja:

Den: | Dát: | Day: | Dátum: | Nap: ..... Měsíc: | Mesiac: | Month: | Mesiac: | Hó: ..... Rok: | Year: | Év: ..... 20

Nová záruční lhůta – prodloužena o délku opravy: | Nová záručná lehota – predĺžená o dĺžku opravy: | New warranty period – extended by the duration of the repair: | Novy termin gwarancyjny – przedłużony o czas naprawy: | A jótállás – kijavítás időtartamával meghosszabbított – új határideje:

Den: | Dát: | Day: | Dátum: | Nap: ..... Měsíc: | Mesiac: | Month: | Mesiac: | Hó: ..... Rok: | Year: | Év: ..... 20

Razítko servisu: | Pečiatka servisu: | Stamp of the repair shop: | Pieczęć serwisu: | Szerviz pecsétje:

Autorizovaná servisní střediska | Autorizované servisné strediská | Authorized service centres

**FAST ČR, a. s.**  
Černokostelecká 1621  
CZ 251 01 Říčany  
Česká republika  
Tel.: +420/ 323 204 120  
Fax: +420/ 323 204 121  
servis.praha@fastcr.cz  
www.fastcr.cz

**FAST ČR, a. s.**  
Cejl 31  
CZ 602 00 Brno  
Česká republika  
Tel.: +420/ 531 010 295  
Fax: +420/ 531 010 296  
servis.brno@fastcr.cz  
www.fastcr.cz

**Fast Plus, spol. s r. o.**  
Na Pántoch 18  
SK 831 06 Bratislava  
Slovenská republika  
Tel.: +421/2/49 105 854  
Fax: +421/2/49 105 859  
servis@fastplus.sk  
www.fastplus.sk

További információkért | Aby uzyskać więcej informacji | További információkért

**Fast Hungary Kft.**  
Dutácska u. 1/a.  
H-2045 Torókbálint  
Magyarország  
Tel.: +36/ 23 330 905  
Fax: +36/ 23 330 827  
info@fasthungary.hu  
www.fasthungary.hu

**Arconet sp. z o.o.**  
W celu znalezienia  
najbliższego serwisu  
prosimy zadzwonić:  
0801 44 33 22  
Lub odwiedzić stronę  
internetową:  
www.arconet.pl

**Uab „Senukai Prekybos Centras” Garantinis Servisas**  
Jonavos G. 62, Lt.-44192,  
Kaunas, Lithuania  
Tel.: +370 37 212 146  
Tex.: +370 37 212 165  
garrem@senukai.lt  
www.senukai.lt



revision 02/2011







 **FIELDMANN**<sup>®</sup>  
Home & Garden Performance