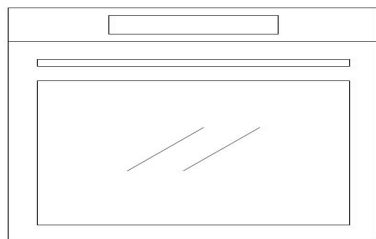


Haier

User Manual



CANDY HOOVER GROUP – Via Comolli 16, Brugherio – Italy

Haier

User Instructions

MICROWAVE OVEN EN 4

Bedienungsanleitung

MIKROWELLENOFEN DE 26

Istruzioni per l'uso

FORNO A MICROONDE IT 48

Instrucciones de uso

HORNO DE MICROONDAS ES 70

Mode d'emploi

FOUR À MICRO-ONDES FR 92

Instrukcje użytkownika

KUCHENKA MIKROFALOWA PL 114

Instruções para o utilizador

FORNO MICRO-ONDAS PT 136

Uputstvo za upotrebu

MIKROTALASNA PEĆNICA SR 158

Pokyny pro uživatele

MIKROVLNNÁ TROUBA CS 180

Návod na použitie

MIKROVLNNÁ RÚRA SK 202

Navodila za uporabnika

MIKROVALOVNA PEČICA SL 224

Summary

5	Important safety indications
12	Product description
14	How the product works
15	Use of the appliance
19	Cleaning and maintenance
20	Environmental protection and disposal
21	Installation

Dear Customer,
We would like to thank you and congratulate you on your choice. This new product has been carefully designed and built using high-quality materials, and meticulously tested to ensure that it meets all your culinary requirements.

Please read and observe these simple instructions, which will enable you to achieve excellent results from the very first use. This state-of-the-art appliance comes to you with our very best wishes.

Important safety indications

PRECAUTIONS TO AVOID POSSIBLE EXPOSURE TO EXCESSIVE MICROWAVE ENERGY

- Do not attempt to operate this oven with the door open since this can result in harmful exposure to microwave energy. It is important not to break or tamper with the safety interlocks.
- Do not place any object between the oven front face and the door or allow soil or cleaner residue to accumulate on sealing surfaces.
- **WARNING:** If the door or door seals are damaged, the oven must not be operated until it has been repaired by a competent person.

IMPORTANT SAFETY INSTRUCTIONS WARNING

To reduce the risk of fire, electric shock, injury to persons or exposure to excessive microwave oven energy when using your appliance, follow basic precautions, including the following:

- Read and follow the specific: “**PRECAUTIONS TO AVOID POSSIBLE EXPOSURE TO EXCESSIVE MICROWAVE ENERGY**”.

- This appliance can be used by children aged from 8 years and above and persons with reduced physical, sensory or mental capabilities or lack of experience and knowledge if they have been given supervision or instruction concerning use of the appliance in a safe way and understand the hazards involved. Children shall not play with the appliance. Cleaning and user maintenance shall not be made by children without supervision.
- Keep the appliance and its cord out of reach of children less than 8 years.
- If the supply cord is damaged, it must be replaced by the manufacturer, its service agent or similarly qualified persons in order to avoid a hazard.
- **WARNING:** Ensure that the appliance is switched off before replacing the lamp to avoid the possibility of electric shock.
- **WARNING:** It is hazardous for anyone other than a competent person to carry out any service or repair operation that involves the removal of a cover which gives protection against exposure to microwave energy.
- **WARNING:** Liquids and foods must not be heated in sealed containers since they are liable to explode.
- When heating food in plastic or paper containers, keep an eye on the oven due to the possibility of ignition.
- Only use utensils that are suitable for use in microwave ovens.
- If smoke is emitted, switch off or unplug the appliance and keep the door closed in order to stifle any flames.

- Microwave heating of beverages can result in delayed eruptive boiling, therefore care must be taken when handling the container.
- The contents of feeding bottles and baby food jars shall be stirred or shaken and the temperature checked before consumption, in order to avoid burns.
- Eggs in their shell and whole hard-boiled eggs should not be heated in microwave ovens since they may explode, even after microwave heating has ended.
- Details for cleaning door seals, cavities and adjacent parts.
- The oven should be cleaned regularly and any food deposits removed.
- Failure to maintain the oven in a clean condition could lead to deterioration of the surface that could adversely affect the life of the appliance and possibly result in a hazardous situation.
- Only use the temperature probe recommended for this oven. (For ovens provided with a facility to use a temperature-sensing probe).
- The microwave oven must be operated with the decorative door open. (For ovens with a decorative door).
- This appliance is intended to be used in household and similar applications such as:
 - staff kitchen areas in shops, offices and other working environments;
 - by clients in hotels, motels and other residential type environments;
 - farm houses;

- bed and breakfast type environments.
- The microwave oven is intended for heating food and beverages. Drying of food or clothing and heating of warming pads, slippers, sponges, damp cloth and similar may lead to risk of injury, ignition or fire.
- Metallic containers for food and beverages are not allowed during microwave cooking.
- The appliance shall not be cleaned with a steam cleaner.
- The appliance must not be installed behind a decorative door in order to avoid overheating. (This is not applicable for appliances with decorative door).
- The microwave oven is intended to be used built-in.
- The appliance must be operated with any cabinet door open.
- Care should be taken not to displace the turntable when removing containers from the appliance. (For fixed appliances and built-in appliances being used equal or higher than 900mm above the floor and having detachable turntables. But this is not applicable for appliances with horizontal bottom hinged door).
- Surface of a storage drawer can get hot.
- Do not use harsh abrasive cleaners or sharp metal scrapers to clean the oven door glass since they can scratch the surface, which may result in shattering of the glass.
- **WARNING:** The appliance and its accessible parts become hot during use. Care should be taken to avoid touching heating elements. Children less than 8 years of age shall be kept away unless continuously supervised.

- During and after use the appliance becomes hot. Care should be taken to avoid touching heating elements inside the oven.
- **WARNING:** Accessible parts may become hot during and after use. Young children should be kept away.
- **WARNING:** When the appliance is operated in the combination mode, children should only use the oven under adult supervision due to the temperatures generated.

TO REDUCE THE RISK OF INJURY TO PERSONS GROUNDING INSTALLATION

DANGER

- Electric Shock Hazard
- Touching some of the internal components can cause serious personal injury or death. Do not disassemble this appliance.

WARNING

- Electric Shock Hazard
- Improper use of the grounding can result in electric shock. Do not plug into an outlet until appliance is properly installed and grounded.
- This appliance must be grounded. In the event of an electrical short circuit, grounding reduces the risk of electric shock by providing an escape wire for the electric current.
- This appliance is equipped with a cord having a grounding wire with a grounding plug. The plug must be

plugged into an outlet that is properly installed and grounded.

- Consult a qualified electrician or serviceman if the grounding instructions are not completely understood or if doubt exists as to whether the appliance is properly grounded.
- If it is necessary to use an extension cord, use only a 3-wire extension cord.
 - A short power-supply cord is provided to reduce the risks resulting from becoming entangled in or tripping over a longer cord.
 - If a long cord set or extension cord is used:
 - The marked electrical rating of the cord set or extension cord should be at least as great as the electrical rating of the appliance.
 - The extension cord must be a grounding-type 3-wire cord.
 - The long cord should be arranged so that it will not drape over the counter top or tabletop where it can be pulled on by children or tripped over unintentionally.

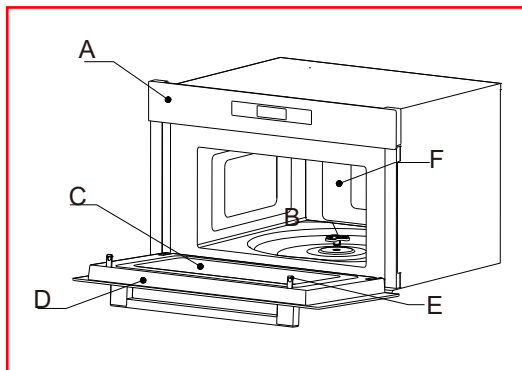
Materials you can use in microwave oven

Utensils	Remarks
Browning dish	Follow manufacturer's instructions. The bottom of browning dish must be at least 3/16 inch (5mm) above the turntable. Incorrect usage may cause the turntable to break.
Dinnerware	Microwave-safe only. Follow manufacturer's instructions. Do not use cracked or chipped dishes.
Glass jars	Always remove lid. Use only to heat food until just warm. Most glass jars are not heat resistant and may break.
Glassware	Heat-resistant oven glassware only. Make sure there is no metallic trim. Do not use cracked or chipped dishes.
Oven cooking bags	Follow manufacturer's instructions. Do not close with metal tie. Make slits to allow steam to escape.
Paper plates and cups	Use for short-term cooking/warming only. Do not leave oven unattended while cooking.
Paper towels	Use to cover food for reheating and absorbing fat. Use with supervision for a short-term cooking only.
Parchment paper	Use as a cover to prevent splattering or a wrap for steaming.
Plastic	Microwave-safe only. Follow the manufacturer's instructions. Should be labeled "Microwave Safe". Some plastic containers soften, as the food inside gets hot. "Boiling bags" and tightly closed plastic bags should be slit, pierced or vented as directed by package.
Plastic wrap	Microwave-safe only. Use to cover food during cooking to retain moisture. Do not allow plastic wrap to touch food.
Thermometers	Microwave-safe only (meat and candy thermometers).
Wax paper	Use as a cover to prevent splattering and retain moisture.

Materials to be avoided in microwave oven

Utensils	Remarks
Aluminum tray	May cause arcing. Transfer food into microwave-safe dish.
Food carton with metal handle	May cause arcing. Transfer food into microwave-safe dish.
Metal or metal-trimmed utensils	Metal shields the food from microwave energy. Metal trim may cause arcing.
Metal twist ties	May cause arcing and could cause a fire in the oven.
Paper bags	May cause a fire in the oven.
Plastic foam	Plastic foam may melt or contaminate the liquid inside when exposed to high temperature.
Wood	Wood will dry out when used in the microwave oven and may split or crack.

Product description

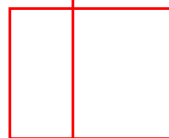
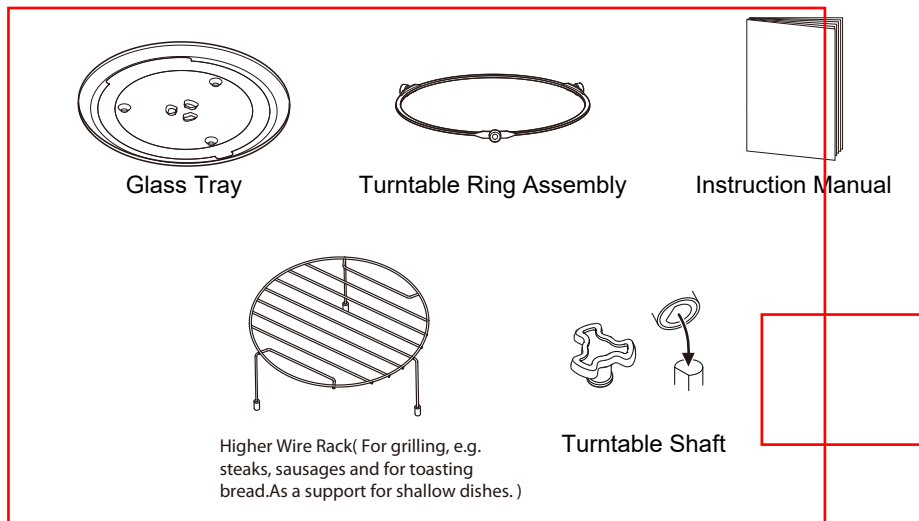


- A) Control panel
- B) Turntable shaft
- C) Observation window
- D) Door assembly
- E) Safety interlock system
- F) Oven cavity



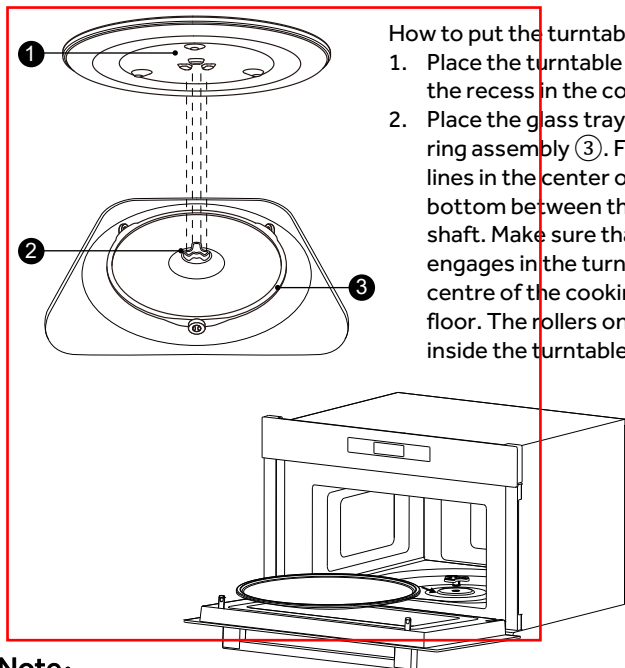
ACCESSORIES

Remove the oven and all materials from the carton and oven cavity.
Your oven comes with the following accessories:



TURNTABLE INSTALLATION

Cleaning the cooking compartment and putting the turntable in place. For new installations, make sure all packaging and shipping tape has been removed from the turntable shaft. Before using the appliance to prepare food for the first time, you will need to put the turntable in place correctly. You must clean the cooking compartment and accessories.



How to put the turntable in place:

1. Place the turntable ring assembly (3) into the recess in the cooking compartment.
2. Place the glass tray (1) on the turntable ring assembly (3). Fit the raised, curved lines in the center of the glass tray bottom between the three spokes of the shaft. Make sure that the glass tray (1) engages in the turntable shaft (2) in the centre of the cooking compartment floor. The rollers on the shaft should fit inside the turntable bottom ridge.







Note:

1. Never use the appliance without the turntable. Make sure that it is properly engaged. The turntable can turn clockwise or anti-clockwise.
2. Never place the glass tray upside down. The glass tray should never be restricted.
3. Both glass tray and turntable ring assembly must always be used during cooking.
4. Some food and containers of food are always placed on the glass tray for cooking.
5. Never restrict the movement of the turntable.
6. If glass tray or turntable ring assembly cracks or breaks, contact your nearest authorized service center.

How the product works

CONTROL PANEL





Symbol	Function
	Microwave
	Function
	Clock/Kitchen Timer
	Auto Menu
	Lock/Cancel
	Start/+30Sec./Confirm

Use of the appliance

OPERATION

Name	Description												
<p>Setting the clock</p>	<ol style="list-style-type: none"> (1) Press "Clock/Kitchen Timer" once and then "00:00" will display. (2) Move the slider or press "+" or "-" to set the hour figures. The time should be within 0-23. (3) Press "Clock/Kitchen Timer" to confirm. (4) Move the slider or press "+" or "-" to set the minute figures. The time should be within 0-59. (5) Press "Clock/Kitchen Timer" to confirm. 												
<p>Kitchen Timer</p>	<ol style="list-style-type: none"> (1) Press "Clock/Kitchen Timer" twice and then "00:00" will display. (2) Move the slider or press "+" or "-" to set the time. The time should be within 0:05 ~ 95:00. (3) Press "Start/+30Sec./Confirm" to confirm. 												
<p>Microwave</p>	<table border="1" data-bbox="383 730 958 788"> <thead> <tr> <th>Power Level</th> <th>100%</th> <th>80%</th> <th>50%</th> <th>30%</th> <th>10%</th> </tr> </thead> <tbody> <tr> <td>Display</td> <td>P10</td> <td>P8</td> <td>P5</td> <td>P3</td> <td>P1</td> </tr> </tbody> </table> <ol style="list-style-type: none"> (1) In waiting state, Press "Microwave" and then "P10" will display. (2) Press "Microwave" repeatedly to adjust the power level, 5 power levels are available. (3) Move the slider or press "+" or "-" to set the cook time. (4) Press "Start/+30Sec./Confirm" to start cooking. 	Power Level	100%	80%	50%	30%	10%	Display	P10	P8	P5	P3	P1
Power Level	100%	80%	50%	30%	10%								
Display	P10	P8	P5	P3	P1								
<p>Grill</p>	<ol style="list-style-type: none"> (1) Press "Function" once and then "G-1" will display. (2) Move the slider or press "+" or "-" to set the cook time. (3) Press "Start/+30Sec./Confirm" to start cooking. <p>Note: When half of the time has passed, the buzzer will sound to remind you to turn the food over. If no operation, the oven will continue working.</p>												
<p>Combination</p>	<ol style="list-style-type: none"> (1) Press "Function" once and then "G-1" will display. Press "Function" repeatedly to change the power you want, and "C-1", "C-2" will display in order. (2) Move the slider or press "+" or "-" to set the cook time. (3) Press "Start/+30Sec./Confirm" to start cooking. <p>Note: Combination instructions</p>												

	Instructions	Display	Microwave	Grill	
	1	C-1	55%	45%	
	2	C-2	36%	64%	
	 				
Defrost by Weight	<p>(1) Press "Function" twice and then the screen will display "0.1kg".</p> <p>(2) Move the slider or press "+" or "-" to set the weight. it should be within 100-2000g.</p> <p>(3) Press "Start/+30Sec./Confirm" to start defrosting.</p>				
Defrost by Time	<p>(1) Press "Function" thrice times and then the screen will display "1:00".</p> <p>(2) Move the slider or press "+" or "-" to set the time.</p> <p>(3) Press "Start/+30Sec./Confirm" to start defrosting.</p> <p>Note: When the half time of defrost has elapsed, buzzer will sound, turn the food over. If no operation, the oven will continue working.</p>				
Speed cooking	<p>(1) In waiting state, press "Start/+30Sec./Confirm" to cook food with 100% power level for 30 seconds. Each press on the same key can increase 30 seconds and the maximum time value is 95 minutes.</p> <p>Note: Speedy cooking cannot be set in defrost by weight, multi-stage and auto menu.</p>				
Lock Function for Children	<p>You can use this function to prevent children from accidentally turning the oven on. To activate the lock: In waiting state, press and hold "Lock/Cancel" for three seconds. A long beep sounds and the locked icon will display.</p> <p>To deactivate the lock: In locked state, press and hold "Lock/Cancel" for three seconds. A long beep sounds.</p>				
Inquire function	<p>(1) If the clock has been set, the current time will display for three seconds by pressing "Clock/Kitchen Timer" in the cooking state.</p>				

Auto Menu	<ol style="list-style-type: none">(1) In waiting state, press "Auto Menu", the screen will display "A-1".(2) Press "Auto Menu" repeatedly to choose the menu you need. 8 auto menus are available.(3) Move the slider or press "+" or "-" to set the weight of the food.(4) Press "Start/+30Sec./Confirm" to start cooking.
------------------	--

AUTO MENU CHART

Menu	Weight(g)	Display	Power
A-1 POTATO	1 (about 230 g)	1	P100
	2 (about 460 g)	2	
	3 (about 690 g)	3	
A-2 MEAT	150 g	150 g	P80
	300 g	300 g	
	450 g	450 g	
	600 g	600 g	
A-3 FISH	150 g	150 g	P80
	250 g	250 g	
	350 g	350 g	
	450 g	450 g	
	650 g	650 g	
A-4 VEGETABLE	150 g	150 g	P100
	350 g	350 g	
	500 g	500 g	
A-5 BEVERAGE	1 cup (240 g)	1	P100
	2 cup (480 g)	2	
	3 cup (720 g)	3	
A-6 PASTA	50 g (cold water 450 g)	50 g	P80
	100 g (cold water 800 g)	100 g	
	150 g (cold water 1200 g)	150 g	
A-7 POPCORN	100 g	100 g	P100
A-8 PIZZA	200 g	200 g	P100+G-1
	400 g	400 g	



Cleaning and maintenance

Be sure to unplug the appliance from the power supply.

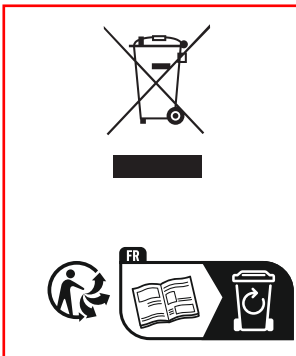
1. Clean the cavity of the oven after using with a slightly damp cloth.
2. Clean the accessories in the usual way in soapy water.
3. The door frame and seal and neighbouring parts must be cleaned carefully with a damp cloth when they are dirty.
4. Do not use harsh abrasive cleaners or sharp metal scrapers to clean the oven door glass since they can scratch the surface, which may result in shattering of the glass.
5. Cleaning Tip---For easier cleaning of the cavity walls that the food cooked can touch: Place half a lemon in a bowl, add 300ml (1/2 pint) water and heat on 100% microwave power for 10 minutes. Wipe the oven clean using a soft, dry cloth.

Environmental protection and disposal

TROUBLE SHOOTING

Normal	
Microwave oven interfering TV reception	Radio and TV reception may be interfered when microwave oven operating. It is similar to the interference of small electrical appliances, like mixer, vacuum cleaner, and electric fan. It is normal.
Dim oven light	In low power microwave cooking, oven light may become dim. It is normal.
Steam accumulating on door, hot air out of vents	In cooking, steam may come out of food. Most will get out from vents. But some may accumulate on cool place like oven door. It is normal.
Oven started accidentally with no food in.	It is forbidden to run the unit without any food inside. It is very dangerous.

Trouble	Possible Cause	Remedy
Oven cannot be started.	(1) Power cord is not plugged in tightly.	Unplug. Then plug again after 10 seconds.
	(2) Fuse blowing or circuit breaker works.	Replace fuse or reset circuit breaker (repaired by professional personnel of our company)
	(3) Trouble with outlet.	Test outlet with other electrical appliances.
Oven does not heat.	(4) Door is not closed well.	Close door well.



According to Waste of Electrical and Electronic Equipment (WEEE) directive, WEEE should be separately collected and treated. If at any time in future you need to dispose of this product please do NOT dispose of this product with household waste. Please send this product to WEEE collecting points where available.

Installation

INSTALLATION AND CONNECTION

1. This appliance is only intended for domestic use.
2. This oven is intended for built-in use only. It is not intended for counter-top use or for use inside a cupboard.
3. Please observe the special installation instructions.
4. The appliance can be installed in a 60cm wide wall-mounted cupboard.
5. The appliance is fitted with a plug and must only be connected to a properly installed earthed socket.
6. The mains voltage must correspond to the voltage specified on the rating plate.
7. The socket must be installed and connecting cable must only be replaced by a qualified electrician. If the plug is no longer accessible following installation, an all-pole disconnecting device must be present on the installation side with a contact gap of at least 3mm.
8. Adapters, multi-way strips and extension leads must not be used. Overloading can result in a risk of fire.

The accessible surface may be hot during and after operation.



BUILT-IN OVEN

Model: **HWO38MG2BHXB**D / **HWO38MG2IHXB**D

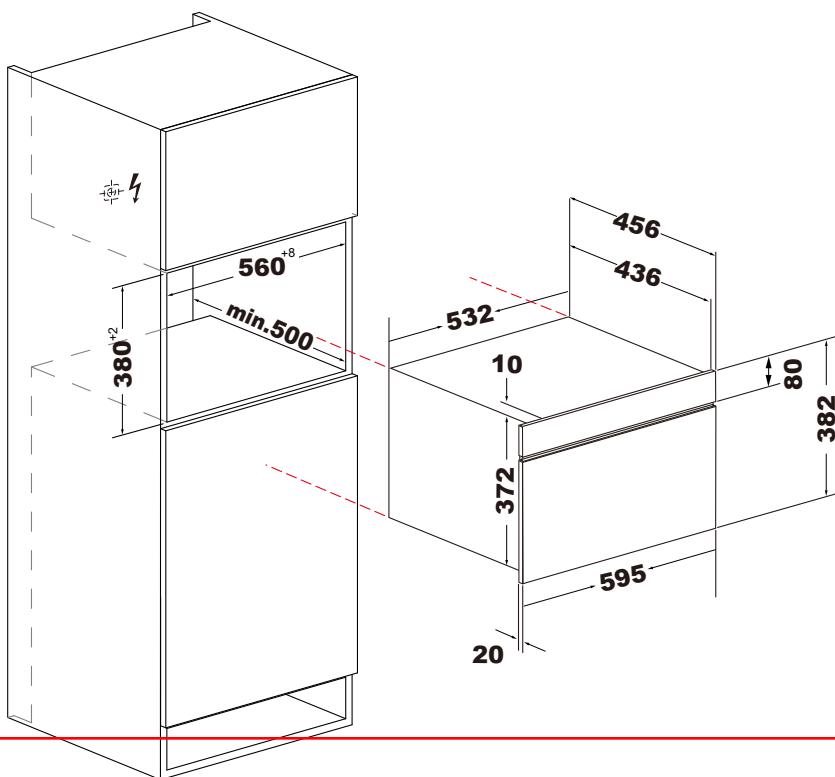
INSTALLATION

The dimensions attached are in mm.

The units into which the appliance is fitted must be heat-resistant up to 95°C.

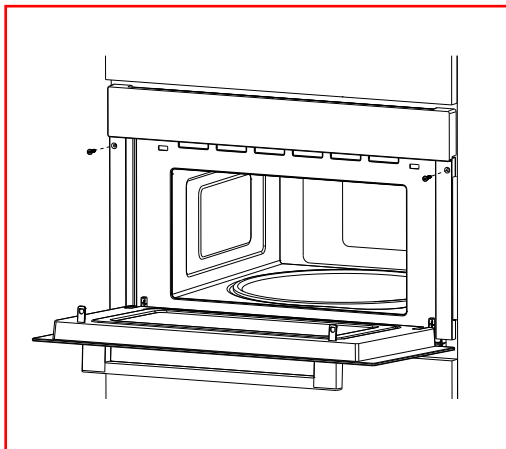
The minimum installation height is 850mm.

Don't use under the work surface and that it must not be subject to spillage from containers onto surfaces under which the appliance is installed.



Building in

- Do not hold or carry the appliance by the door handle. The door handle cannot hold the weight of the appliance and may break off.
1. Carefully push the microwave into the box, making sure that it is in the centre.
 2. Open the door and fasten the microwave with the screws that were supplied.



- Fully insert the appliance and centre it.
- Do not kink the connecting cable.
- Screw the appliance into place.

Important information with plug

Electrical connection

The appliance is fitted with a plug and must only be connected to a properly installed earthed socket. Only a qualified electrician who takes the appropriate regulations into account may install the socket or replace the connecting cable. If the plug is no longer accessible following installation, an all-pole isolating switch must be present on the installation side with a contact gap of at least 3 mm.

Contact protection must be ensured by the installation.

Fuse protection: see instructions for use-technical data.

Important information without plug

The appliance is designed to be permanently installed with a three-pin power cord and may only be connected by a licensed expert in accordance with the connection diagram.

Only a qualified electrician who takes the relevant regulations into account may replace the power cord. Do not use multiple plugs, power strips or extensions. Overloading causes a risk of fire.

If the connection is no longer accessible following installation, an all-pin isolating switch with a contact gap of at least 3 mm must be provided.

Connect the wires of the mains power cord in accordance with the following colour coding:

Green and yellow Earth wire (E)

Blue Neutral wire (N)

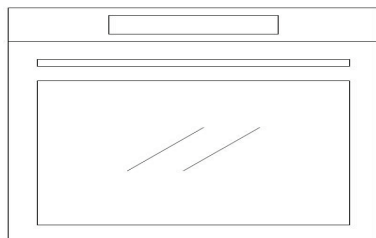
Brown Live (L)

Great Britain and Australia:

Do not connect the appliance using a 13 A plug or protect it with a 13 A fuse. The appliance must be protected using a fuse that is rated 16 A or higher. The appliance must be disconnected from the power supply during all installation work. When the appliance is installed, protection must be provided against accidental contact in the future.

Haier

Benutzerhandbuch



CANDY HOOVER GROUP – Via Comolli 16, Brugherio – Italien

Zusammenfassung

27

Wichtige Sicherheitshinweise

34

Produktbeschreibung

36

Funktionsweise des Produkts

37

Gebrauch des Geräts

41

Reinigung und Wartung

42

Umweltschutz und -entsorgung

43

Installation

Sehr geehrte(r) Kundin/Kunde!

Vielen Dank, dass Sie sich für unser Produkt entschieden haben, wir gratulieren Ihnen zu dieser Wahl. Dieses neue Produkt wurde sorgfältig entworfen und aus hochwertigen Materialien hergestellt und gründlich getestet, um sicherzustellen, dass es alle Ihre Anforderungen an einen guten Ofen erfüllt.

Lesen und beachten Sie diese einfachen Hinweise, damit Sie schon bei der ersten Anwendung hervorragende Ergebnisse erzielen können. Dieses hochmoderne Gerät kommt mit unseren besten Wünschen zu Ihnen.

Wichtige Sicherheitshinweise



VORSICHTSMASSNAHMEN, UM EINE ZU HOHE MIKROWELLENBELASTUNG ZU VERHINDERN

- Versuchen Sie nicht, diesen Ofen mit offener Tür zu betreiben, weil ein Betrieb bei offener Tür zu schädlicher Belastung durch Mikrowellen führen kann. Manipulieren Sie keinesfalls die Sicherheitsverriegelungen oder entfernen Sie sie.
- Stellen Sie keinen Gegenstand zwischen die Vorderseite des Ofens und die Tür und verhindern Sie, dass sich Schmutz oder Reinigungsmittelreste auf den Dichtungsflächen ansammeln.
- **WARNUNG:** Falls die Tür oder die Türdichtungen beschädigt sein sollte, darf der Ofen erst wieder in Betrieb genommen werden, nachdem er durch eine qualifizierte Person repariert worden ist.

WICHTIGE SICHERHEITS- UND WARNHINWEISE

Zum Schutz vor Feuer, elektrischem Schlag, Verletzungen und Bestrahlung mit starker Mikrowellenenergie während der Verwendung des Produktes beachten Sie bitte die folgenden grundsätzlichen Hinweise, einschließlich:

- Lesen und beachten Sie die folgenden Hinweise:
„VORSICHTSMASSNAHMEN, UM EINE ZU HOHE MIKROWELLENBELASTUNG ZU VERHINDERN.“
- Dieses Gerät kann von Kindern ab 8 Jahren und Personen mit eingeschränkten körperlichen, sensorischen oder geistigen Fähigkeiten oder mangelnder Erfahrung und mangelndem Wissen benutzt werden, wenn diese in die sichere Bedienung des Geräts eingewiesen wurden oder beaufsichtigt werden und die damit verbundenen Gefahren verstanden haben. Kinder dürfen nicht mit dem Gerät spielen. Reinigung und Pflege darf nicht von Kindern ohne Aufsicht erfolgen.
- Bewahren Sie das Gerät und dessen Kabel außerhalb der Reichweite von Kindern unter 8 Jahren auf.
- Wenn das Stromkabel beschädigt ist, muss es vom Hersteller oder von seinem Service-Mitarbeiter, oder einer gleichwertig qualifizierten Person ausgetauscht werden, um jegliches Risiko zu vermeiden.
- **WARNUNG:** Vor dem Austauschen der Glühbirne prüfen, ob das Gerät ausgeschaltet ist, um die Gefahr von Stromschlägen zu vermeiden.
- **WARNUNG:** Für jede nicht geschulte Person ist es gefährlich, Kundendienst- oder Reparaturarbeiten durchzuführen, bei denen Abdeckungen entfernt werden müssen, die vor der Mikrowellenbelastung schützen.
- **WARNUNG:** Flüssigkeiten und Lebensmittel dürfen nicht in luftdicht verschlossenen Behältern erhitzt werden, weil sie explodieren können.
- Behalten Sie den Ofen wegen der Entzündungsgefahr im Auge, wenn Sie Lebensmittel in Kunststoff- oder Papierbehältern aufwärmen.

- Verwenden Sie ausschließlich für Mikrowellenöfen geeignete Utensilien.
- Wenn Sie Rauch feststellen, schalten Sie das Gerät aus oder ziehen Sie den Netzstecker und lassen Sie die Ofentür geschlossen, um Flammen zu ersticken.
- Die Erwärmung von Getränken durch Mikrowellen kann zu verzögertem eruptivem Kochen führen, daher ist der Behälter mit Sorgfalt zu behandeln.
- Der Inhalt von Säuglingsfläschchen und Babygläsern sollte gerührt oder geschüttelt werden und die Temperatur sollte vor dem Verzehr kontrolliert werden, um Verbrennungen zu vermeiden.
- Eier in ihrer Schale und hartgekochte Eier sollten nicht in Mikrowellenöfen erhitzt werden, weil sie auch dann noch explodieren können, wenn die Mikrowellenerhitzung beendet wurde.
- Details zur Reinigung von Türdichtungen, Garraum und angrenzenden Teilen.
- Der Ofen sollte regelmäßig gereinigt und sämtliche Lebensmittelreste entfernt werden.
- Wird der Ofen nicht in einem sauberen Zustand gehalten, kann dies zur Verschlechterung der Oberfläche führen, was sich wiederum nachteilig auf die Lebensdauer des Geräts auswirken und möglicherweise zu einer gefährlichen Situation führen könnte.
- Nur den für diesen Ofen empfohlenen Temperaturfühler verwenden. (Für Öfen, die mit einem Temperaturfühler ausgestattet sind.)
- Die Mikrowelle muss mit geöffneter Dekortür betrieben werden. (Für Öfen mit Dekortür.)

- Dieses Gerät ist ausschließlich für den Hausgebrauch und vergleichbare Verwendung bestimmt, wie:
 - Personalküchen in Geschäften, Büros und anderen Arbeitsumgebungen;
 - für die Nutzung durch Gäste in Hotels, Pensionen und ähnlichen Unterkünften,
 - landwirtschaftliche Betriebe,
 - Bed & Breakfast (B&B)-Unterkünfte.
- Der Mikrowellenherd ist für die Erwärmung von Speisen und Getränken vorgesehen. Das Trocknen von Lebensmitteln oder Kleidung sowie das Erwärmen von Wärmekissen, Hausschuhen, Schwämmen, feuchten Tüchern und Ähnlichem kann zu Verletzungs-, Entzündungs- oder Brandgefahr führen.
- Metallische Behälter für Speisen und Getränke sind beim Garen in der Mikrowelle nicht erlaubt.
- Das Gerät darf nicht mit einem Dampfreiniger gereinigt werden.
- Das Gerät nicht hinter einer Dekortüre einbauen, um Überhitzen zu vermeiden. (Dies gilt nicht für Geräte mit bereits vorhandener Dekortüre.)
- Der Mikrowellenherd ist für den Einbau vorgesehen.
- Das Gerät muss bei geöffneter Schranktür betrieben werden.
- Bei der Entnahme von Behältern aus dem Gerät ist darauf zu achten, dass der Drehteller nicht verschoben wird. (Für fest installierte Geräte und Einbaugeräte, die in einer Höhe von 900 mm oder mehr über dem Fußboden verwendet werden und abnehmbare Drehteller haben. Dies gilt jedoch nicht für Geräte mit horizontaler, unten befestigter Tür).

- Die Oberfläche der Aufbewahrungsschublade kann heiß werden.
- Für die Reinigung der Glasbestandteile der Ofentür keine Scheuermaterialien oder scharfkantigen Metallschaber verwenden, da diese die Oberfläche zerkratzen und das Glas zerspringen kann.
- **WARNUNG:** Das Gerät und die zugänglichen Teile können während des Betriebs heiß werden. Die Kochelemente nicht berühren. Kinder unter 8 Jahren niemals unbeaufsichtigt in die Nähe des Geräts lassen.
- Während und nach dem Gebrauch wird das Gerät heiß. Die Heizelemente im Ofen nicht berühren.
- **WARNUNG:** Zugängliche Teile können während und nach dem Gebrauch heiß werden. Kleine Kinder nicht in die Nähe des Geräts gelangen lassen.
- **WARNUNG:** Kinder sollten den Ofen wegen der generierten Temperaturen ausschließlich unter Aufsicht von Erwachsenen verwenden, wenn das Gerät im Kombinationsmodus betrieben wird.

REDUZIERUNG VON VERLETZUNGSRISIKO – ERDUNG DER INSTALLATION

GEFAHR

- Elektroschlaggefahr
- Bei Berührung der Einbauteile besteht die Gefahr von schweren Verletzungen und Lebensgefahr. Demontieren Sie dieses Gerät nicht.

WARNUNG

- Elektroschlaggefahr

- Eine nicht fachgerechte Erdung kann das Risiko von elektrischen Schlägen mit sich bringen. Verbinden Sie das Gerät niemals mit einer Steckdose, die nicht ordnungsgemäß installiert wurde und geerdet ist.
- Dieses Gerät muss geerdet sein. Im Falle eines Kurzschlusses reduziert die Erdung das Risiko eines Stromschlags, indem ein Fluchtdraht für den elektrischen Strom bereitgestellt wird.
- Dieser Ofen ist mit einem Stromkabel ausgestattet, das eine Erdungsleitung und einen Erdungsstift aufweist. Der Stecker muss in eine Wandsteckdose gesteckt werden, die ordnungsgemäß installiert wurde und geerdet ist.
- Wenden Sie sich im Zweifel hinsichtlich der ordnungsgemäßen Erdung des Gerätes an einen Fachelektriker oder an einen Experten.
- Verwenden Sie ggf. ausschließlich ein dreiadriges Verlängerungskabel.
 - Das beiliegende kurze Netzkabel verhindert Risiken infolge von Verheddern in oder Stolpern über ein längeres Kabel.
 - Wenn ein langes Kabel oder ein Verlängerungskabel verwendet wird:
 - Die elektrische Leistung des Kabels oder Verlängerungskabels muss zumindest der elektrischen Leistung des Gerätes entsprechen.
 - Das Verlängerungskabel muss ein geerdetes dreiadriges Kabel sein.
 - Das lange Kabel muss so verlegt werden, dass es nicht über die Tisch- oder Tresenkante herabhängt, so dass Kinder daran ziehen oder Personen darüber stolpern könnten.

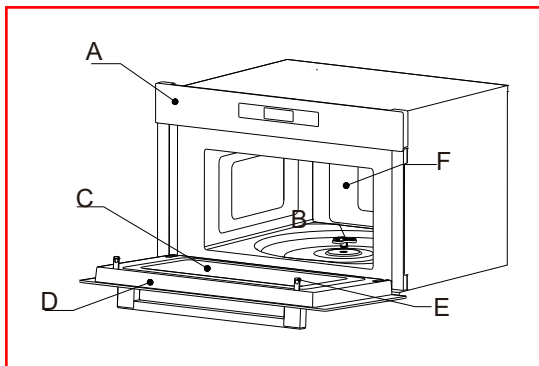
Materialien, die Sie in einem Mikrowellenofen verwenden können

Utensilien	Anmerkungen
Bratgeschirr	Beachten Sie die Herstellerangaben. Der Boden des Bratgeschirrs muss mindestens 5 mm vom Drehteller entfernt sein. Bei fehlerhafter Anwendung kann der Drehteller beschädigt werden.
Essgeschirr	Nur mikrowellengeeignet. Beachten Sie die Herstellerangaben. Verwenden Sie kein gerissenes oder angeschlagenes Geschirr.
Glasbehälter	Immer den Deckel abnehmen. Nur für das Erwärmen von Lebensmitteln verwenden. Die meisten Glasbehälter sind nicht hitzebeständig und können zerspringen.
Glasgeschirr	Nur hitzebeständiges Glasgeschirr verwenden. Es darf keinen Metallrand haben. Verwenden Sie kein gerissenes oder angeschlagenes Geschirr.
Mikrowellenbeutel	Beachten Sie die Herstellerangaben. Nicht mit einem Metallband verschließen. Machen Sie Schlitze, damit der Dampf entweichen kann.
Pappteller und -becher	Nur für kurzfristiges Garen/Erwärmen verwenden. Während des Garovorgangs nicht unbeaufsichtigt lassen.
Papiertücher	Abdecken während des Aufwärmens von Lebensmitteln und für das Aufsaugen von Fett. Nur für kurzfristiges Garen unter Aufsicht.
Pergamentpapier	Als Abdeckung verwenden, um Spritzer zu vermeiden bzw. Einwickeln zum Dämpfen.
Kunststoff	Nur mikrowellengeeignet. Beachten Sie die Herstellerangaben. Mit der Kennzeichnung „mikrowellengeeignet“. Einige Kunststoffbehälter werden weich, während die Lebensmittel darin erwärmt werden. „Kochbeutel“ und andere fest verschlossene Plastikbeutel sollten mit Schlitzen versehen, durchstochen oder gemäß den Packungsangaben luftdurchlässig gemacht werden.
Frischhaltefolie	Nur mikrowellengeeignet. Abdecken während des Aufwärmens von Lebensmitteln, um die Feuchtigkeit zu bewahren. Die Frischhaltefolie darf das Lebensmittel nicht berühren.
Thermometer	Nur mikrowellengeeignet (Fleischthermometer und andere Thermometer von Candy).
Wachspapier	Als Abdeckung verwenden, um Spritzer zu vermeiden und um die Feuchtigkeit zu bewahren.

Materialien, die nicht in die Mikrowelle dürfen

Utensilien	Anmerkungen
Aluminiumschale	Kann sich wölben. Lebensmittel in mikrowellengeeignetes Geschirr geben.
Lebensmittelkarton mit Metallgriff	Kann sich wölben. Lebensmittel in mikrowellengeeignetes Geschirr geben.
Utensilien aus Metall oder mit Metallrand.	Metall schirmt Lebensmittel vor der Mikrowellenenergie ab. Metallrahmen kann sich wölben.
Metallverschlüsse	Können wölben und Feuer im Ofen verursachen.
Papierbeutel	Können Feuer im Ofen verursachen.
Schaumstoff	Schaumstoff kann schmelzen oder die darin befindlichen Lebensmittel bei zu hoher Hitze kontaminieren.
Holz	Holz trocknet im Mikrowellenofen aus und es kann splittern oder reißen.

Produktbeschreibung



- A) Bedienfeld
- B) Drehtellerwelle
- C) Sichtfenster
- D) Türbaugruppe
- E) Sicherheitsverriegelungssystem
- F) Innenraum



ZUBEHÖR

Nehmen Sie den Ofen und das gesamte Material aus dem Karton und aus dem Garraum. Ihr Ofen ist mit dem folgenden Zubehör ausgestattet:



Glastablett

Drehtellerring-Baugruppe

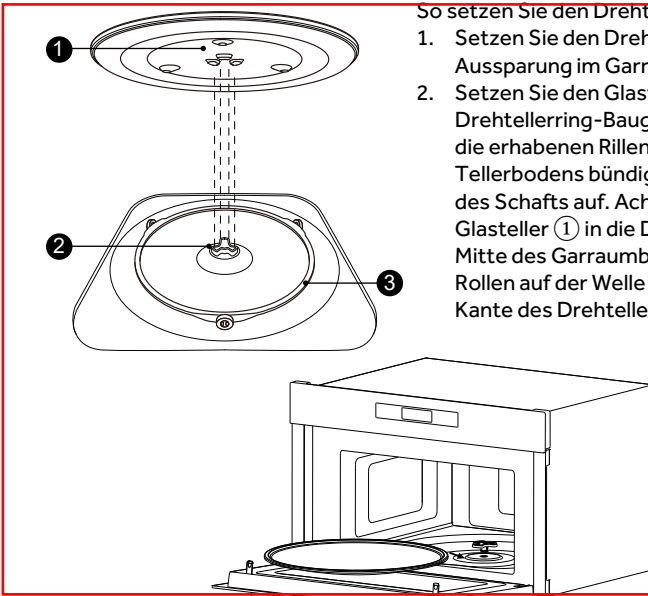
Bedienungshandbuch

Drehtellerwelle

Höheres Drahtgestell (Zum Grillen, z. B. von Steaks, Würstchen und zum Toasten von Brot. Als Ständer für flaches Geschirr).

DREHTELLER-MONTAGE

Reinigung des Garraums und Einsetzen des Drehtellers. Vergewissern Sie sich bei Neuinstallationen, dass alle Klebebänder, die zur Verpackung und zum Transport befestigt wurden, von der Drehscheibenwelle entfernt wurden. Bevor Sie das Gerät zum ersten Mal für die Zubereitung von Speisen verwenden, müssen Sie den Drehteller richtig einsetzen. Sie müssen den Garraum und das Zubehör reinigen.



So setzen Sie den Drehteller richtig ein:

1. Setzen Sie den Drehteller (1) in die Aussparung im Garraum.
2. Setzen Sie den Glasteller (1) auf die Drehteller-Baugruppe (3). Setzen Sie die erhabenen Rillen in der Mitte des Tellerbodens bündig auf die drei Speichen des Schafts auf. Achten Sie darauf, dass der Glasteller (1) in die Drehscheibe (2) in der Mitte des Garraumbodens einrastet. Die Rollen auf der Welle sollten in die untere Kante des Drehtellers passen.




Hinweis:

1. Verwenden Sie das Gerät niemals ohne den Drehteller. Vergewissern Sie sich, dass er richtig fest sitzt. Der Drehteller kann sich im oder gegen den Uhrzeigersinn drehen.
2. Den Drehteller aus Glas niemals umgekehrt verwenden. Der Drehteller aus Glas darf niemals blockiert werden.
3. Bei jedem Garvorgang müssen immer sowohl der Glasteller, als auch der Drehteller verwendet werden.
4. Einige Lebensmittel und Lebensmittelbehälter müssen zum Garen immer auf den Glasteller gestellt werden.
5. Darauf achten, die Bewegung des Drehtellers nicht einzuschränken.
6. Falls der Glasteller oder der Drehteller reißen oder brechen sollte, wenden Sie sich an ein autorisiertes Servicecenter.

Funktionsweise des Produkts

BEDIENFELD



Symbol	Funktion
	Mikrowelle
F	Funktion
	Uhr/Küchentimer
	Auto-Menü
  3S	Sperren/Abbrechen
 +30S	Start/+30Sek./Bestätigen

Gebrauch des Geräts

BETRIEB

Name	Beschreibung												
Uhr einstellen	<ol style="list-style-type: none"> (1) Drücken Sie einmal auf „Uhr/Küchentimer“, dann wird „00:00“ angezeigt. (2) Bewegen Sie den Schieberegler oder drücken Sie „+“ oder „-“, um die Stunden einzustellen. Die Zeit sollte zwischen 0-23 liegen. (3) Drücken Sie zur Bestätigung auf „Uhr/Küchentimer“. (4) Bewegen Sie den Schieberegler oder drücken Sie „+“ oder „-“, um die Minuten einzustellen. Die Zeit sollte zwischen 0 und 59 liegen. (5) Drücken Sie zur Bestätigung auf „Uhr/Küchentimer“. 												
Küchen-Timer	<ol style="list-style-type: none"> (1) Drücken Sie zweimal auf „Uhr/Küchentimer“, dann wird „00:00“ angezeigt. (2) Bewegen Sie den Schieberegler oder drücken Sie „+“ oder „-“, um die Zeit einzustellen. Die Zeit sollte innerhalb von 0:05~95:00 liegen. (3) Drücken Sie zum Bestätigen „Start/+30Sek./Bestätigen“. 												
Mikrowelle	<table border="1" data-bbox="363 799 940 858"> <thead> <tr> <th data-bbox="363 799 521 831">Energiestufe</th> <th data-bbox="521 799 612 831">100%</th> <th data-bbox="612 799 696 831">80%</th> <th data-bbox="696 799 780 831">50%</th> <th data-bbox="780 799 864 831">30%</th> <th data-bbox="864 799 940 831">10%</th> </tr> </thead> <tbody> <tr> <td data-bbox="363 831 521 858">Anzeige</td> <td data-bbox="521 831 612 858">P10</td> <td data-bbox="612 831 696 858">P8</td> <td data-bbox="696 831 780 858">P5</td> <td data-bbox="780 831 864 858">P3</td> <td data-bbox="864 831 940 858">P1</td> </tr> </tbody> </table> <ol style="list-style-type: none"> (1) Drücken Sie im Wartezustand die Taste „Mikrowelle“ und dann wird „P10“ angezeigt. (2) Drücken Sie wiederholt auf „Mikrowelle“, um die Leistungsstufe einzustellen; es stehen fünf Leistungsstufen zur Verfügung. (3) Bewegen Sie den Schieberegler oder drücken Sie „+“ oder „-“, um die Garzeit einzustellen. (4) Drücken Sie „Start/+30Sek./Bestätigen“, um den Garvorgang zu starten. 	Energiestufe	100%	80%	50%	30%	10%	Anzeige	P10	P8	P5	P3	P1
Energiestufe	100%	80%	50%	30%	10%								
Anzeige	P10	P8	P5	P3	P1								
Grill	<ol style="list-style-type: none"> (1) Drücken Sie einmal auf „Funktion“. Dann wird „G-1“ angezeigt. (2) Bewegen Sie den Schieberegler oder drücken Sie „+“ oder „-“, um die Garzeit einzustellen. (3) Drücken Sie „Start/+30Sek./Bestätigen“, um den Garvorgang zu starten. <p data-bbox="363 1305 947 1415">Hinweis: Wenn die Hälfte der Zeit verstrichen ist, ertönt ein Signalton, um Sie daran zu erinnern, das Gargut zu wenden. Wenn keine Bedienung erfolgt, läuft das Gerät weiter.</p>												

<p style="text-align: center;">Kombination</p>	<p>(1) Drücken Sie einmal auf „Funktion“. Dann wird „G-1“ angezeigt. Drücken Sie wiederholt auf „Funktion“, um die gewünschte Leistung auszuwählen, und nacheinander werden C-1, C-2 2 angezeigt.</p> <p>(2) Bewegen Sie den Schieberegler oder drücken Sie „+“ oder „-“, um die Garzeit einzustellen.</p> <p>(3) Drücken Sie „Start/+30Sek./Bestätigen“, um den Garvorgang zu starten.</p> <p>Hinweis: Anweisungen für Kombi-Betrieb </p> <table border="1" style="width: 100%; border-collapse: collapse;"> <thead> <tr> <th style="width: 15%;">Anweisungen</th> <th style="width: 15%;">Anzeige</th> <th style="width: 20%;">Mikrowelle</th> <th style="width: 50%;">Grill</th> </tr> </thead> <tbody> <tr> <td style="text-align: center;">1</td> <td style="text-align: center;">C-1</td> <td style="text-align: center; border: 1px solid red;">55%</td> <td style="text-align: center; border: 1px solid red;">45%</td> </tr> <tr> <td style="text-align: center;">2</td> <td style="text-align: center;">C-2</td> <td style="text-align: center; border: 1px solid red;">36%</td> <td style="text-align: center; border: 1px solid red;">64%</td> </tr> </tbody> </table> <p> </p>	Anweisungen	Anzeige	Mikrowelle	Grill	1	C-1	55%	45%	2	C-2	36%	64%
Anweisungen	Anzeige	Mikrowelle	Grill										
1	C-1	55%	45%										
2	C-2	36%	64%										
<p style="text-align: center;">Auftauen nach Gewicht</p>	<p>(1) Drücken Sie zweimal „Funktion“. Auf dem Display wird „0,1kg“ angezeigt.</p> <p>(2) Bewegen Sie den Schieberegler oder drücken Sie „+“ oder „-“, um das Gewicht einzustellen. Es sollte zwischen 100 und 2000 g liegen.</p> <p>(3) Drücken Sie „Start/+30 Sek./Bestätigen“, um den Auftauvorgang zu starten.</p>												
<p style="text-align: center;">Auftauen nach Zeit</p>	<p>(1) Drücken Sie dreimal „Funktion“. Auf dem Display wird „1:00“ angezeigt.</p> <p>(2) Bewegen Sie den Schieberegler oder drücken Sie „+“ oder „-“, um die Zeit einzustellen.</p> <p>(3) Drücken Sie „Start/+30 Sek./Bestätigen“, um den Auftauvorgang zu starten.</p> <p>Hinweis: Wenn die Hälfte der Auftauzeit abgelaufen ist, ertönt ein Signalton, und das Gargut sollte gewendet werden. Wenn keine Bedienung erfolgt, läuft das Gerät weiter.</p>												
<p style="text-align: center;">Schnelles Garen</p>	<p>(1) Drücken Sie im Wartemodus „Start/+30Sek./Bestätigen“, um 30 Sekunden lang mit 100 % Leistungsstufe zu garen. Jedes Drücken auf diese Taste verlängert um 30 Sekunden. Die maximale Zeitspanne beträgt 95 Minuten.</p> <p>Hinweis: Die Funktion „Schnellgaren“ kann nicht im Menü „Auftauen nach Gewicht“, „Mehrstufig“ und „Auto“ eingestellt werden.</p>												

Kindersicherung	<p>Sie können diese Funktion verwenden, um zu verhindern, dass Kinder das Gerät einschalten. Zum Aktivieren der Sperre: Halten Sie im Wartezustand die Taste „Sperren/Abbrechen“ drei Sekunden lang gedrückt. Es ertönt ein langer Piepton und das Sperrsymbol wird angezeigt. Zum Deaktivieren der Sperre: Im gesperrten Zustand halten Sie „Sperren/Abbrechen“ drei Sekunden lang gedrückt. Es ertönt ein langer Piepton.</p>
Funktion abfragen	<p>(1) Wenn die Uhr eingestellt wurde, wird die aktuelle Uhrzeit drei Sekunden lang angezeigt, wenn Sie im Garmodus auf „Uhr/Küchentimer“ drücken.</p>
Auto-Menü	<p>(1) Drücken Sie im Wartezustand „Auto-Menü“. Im Display wird „A-1“ angezeigt.</p> <p>(2) Drücken Sie wiederholt auf „Auto-Menü“, um das gewünschte Menü auszuwählen. Es stehen 8 automatische Menüs zur Auswahl.</p> <p>(3) Bewegen Sie den Schieberegler oder drücken Sie „+“ oder „-“, um das Gewicht des Garguts einzustellen.</p> <p>(4) Drücken Sie „Start/+30Sek./Bestätigen“, um den Garvorgang zu starten.</p>

TABELLE AUTO-MENÜ

Menü	Gewicht (g)	Anzeige	Leistung
A-1 KARTOFFEL	1 (etwa 230 g)	1	P100
	2 (etwa 460 g)	2	
	3 (etwa 690 g)	3	
A-2 FLEISCH	150 g	150 g	P80
	300 g	300 g	
	450 g	450 g	
	600 g	600 g	
A-3 FISCH	150 g	150 g	P80
	250 g	250 g	
	350 g	350 g	
	450 g	450 g	
	650 g	650 g	
A-4 GEMÜSE	150 g	150 g	P100
	350 g	350 g	
	500 g	500 g	
A-5 GETRÄNK	1 Tasse (240 g)	1	P100
	2 Tassen (480 g)	2	
	3 Tasse (720 g)	3	
A-6 NUDELN	50 g (450 g kaltes Wasser)	50 g	P80
	100 g (kaltes Wasser 800 g)	100 g	
	150 g (kaltes Wasser 1200 g)	150 g	
A-7 POPCORN	100 g	100 g	P100
A-8 PIZZA	200 g	200 g	P100+G-1
	400 g	400 g	

Reinigung und Wartung

Trennen Sie das Gerät vom Stromnetz.

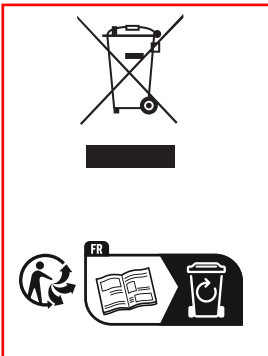
1. Reinigen Sie den Garraum des Ofens mit einem leicht angefeuchteten Tuch.
2. Reinigen Sie das Zubehör ganz normal mit Seifenwasser.
3. Der Türrahmen, die Dichtung und die angrenzenden Teile müssen sorgfältig mit einem feuchten Tuch gereinigt werden, wenn sie verschmutzt sind.
4. Für die Reinigung der Glasbestandteile der Ofentür keine Scheuermaterialien oder scharfkantigen Metallschaber verwenden, da diese die Oberfläche zerkratzen und das Glas zerspringen kann.
5. Tipp für die Reinigung – Einfaches Entfernen von Lebensmittelrückständen von Garraumwänden: Legen Sie eine halbe Zitrone in eine Schale, geben Sie 300 ml Wasser dazu und erwärmen Sie es bei voller Mikrowellenleistung (100 %) 10 Minuten lang. Wischen Sie den Ofen mit einem weichen, trockenen Tuch sauber.

Umweltschutz und -entsorgung

FEHLERSUCHE

Normal	
Mikrowelle - Störung des Fernsehempfangs	Während des Betriebs der Mikrowelle kann der Radio- und Fernsehempfang gestört sein. Diese Störungen sind mit jenen vergleichbar, die durch Elektrokleingeräte verursacht werden, wie Mixer, Staubsauger und elektrischem Föhn. Das ist normal.
Ofenlicht schwach.	Beim Garen mit der Mikrowelle wird das Ofenlicht eventuell dunkler. Das ist normal.
Dampfansammlung an der Tür, heiße Luft kommt aus den Lüftungsöffnungen.	Während des Garens kann Dampf aus Lebensmitteln austreten. Der meiste Dampf tritt aus den Lüftungsöffnungen aus. Er kann sich jedoch auf kühlen Flächen wie beispielsweise auf der Gerätetüre absetzen. Das ist normal.
Gerät ohne Lebensmittel im Garraum eingeschaltet.	Es ist untersagt, den Ofen ohne Lebensmittel im Garraum einzuschalten. Das ist sehr gefährlich.

Problem	Mögliche Ursache	Abhilfe
Gerät kann nicht gestartet werden.	(1) Stromstecker nicht richtig eingesteckt.	Ausstecken. Nach 10 Sekunden wieder einstecken.
	(2) Sicherung durchgebrannt oder Trennschalter ausgelöst.	Sicherung austauschen oder Trennschalter zurücksetzen (Reparatur durch einen Techniker unseres Unternehmens).
	(3) Problem mit der Steckdose.	Steckdose mit anderen elektrischen Geräten prüfen.
Ofen heizt nicht.	(4) Die Tür ist nicht richtig geschlossen.	Tür richtig schließen.



Gemäß der E-Richtlinie über Elektro- und Elektronik-Altgeräte (WEEE) müssen Elektro- und Elektronik-Altgeräte separat entsorgt und aufbereitet werden. Entsorgen Sie dieses Produkt ggf. NIEMALS im Haushaltsmüll. Geben Sie dieses Produkt bitte an den entsprechenden Sammelstellen für Elektro- und Elektronik-Altgeräte ab.

Installation

INSTALLATION UND ANSCHLUSS

1. Dieses Gerät ist nur für den Hausgebrauch bestimmt.
2. Dieser Ofen ist nur für den Einbau vorgesehen. Er ist nicht für die Verwendung auf einer Arbeitsfläche oder in einem Schrank vorgesehen.
3. Beachten Sie die besondere Installationsanleitung.
4. Das Gerät kann in einen 60 cm breiten Einbauschränk eingebaut werden.
5. Das Gerät ist mit einem Stecker ausgestattet, der mit einer ordnungsgemäß geerdeten Steckdose verbunden werden muss.
6. Die Spannung muss mit dem Wert auf dem Typenschild übereinstimmen.
7. Der Einbau der Steckdose und das Auswechseln des Anschlusskabels darf nur von einer Elektrofachkraft vorgenommen werden. Wenn der Stecker nach der Installation nicht mehr zugänglich sein sollte, muss eine Poltrennvorrichtung mit einem Kontaktspalt von mindestens 3 mm vorgesehen werden.
8. Adapter, Steckerleisten und Verlängerungskabel dürfen nicht verwendet werden. Bei Überlast besteht Brandgefahr.

Die Zugangsfläche kann nach und während des Betriebs heiß werden.



EINBAU-MIKROWELLE

Modell: **HWO38MG2BHXBD / HWO38MG2IHXB**

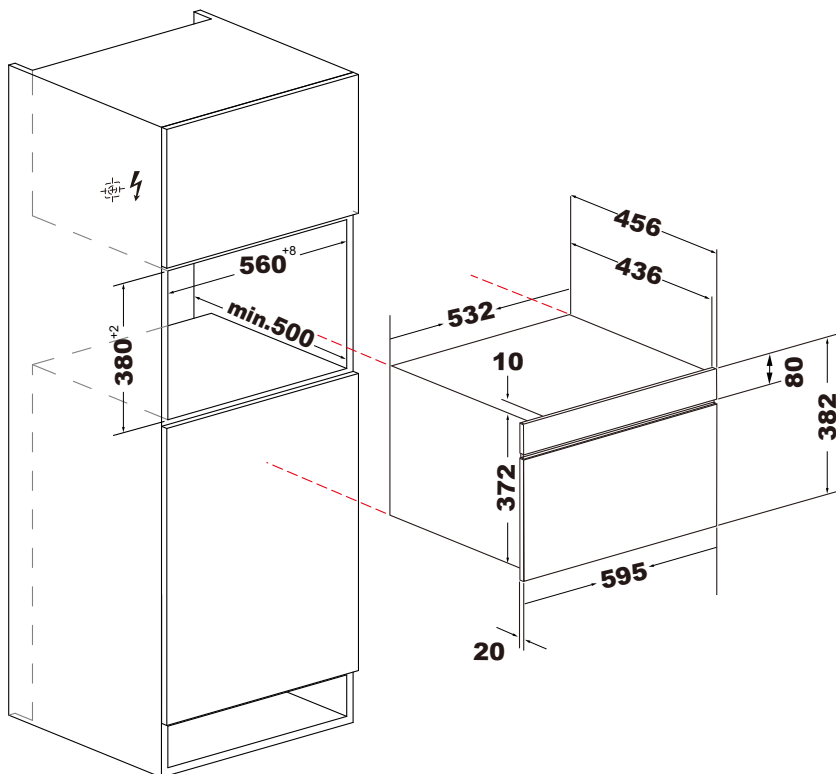
INSTALLATION

Die Abmessungen sind in mm angegeben.

Die Schränke, in die das Gerät eingebaut wird, müssen hitzebeständig bis 95°C sein.

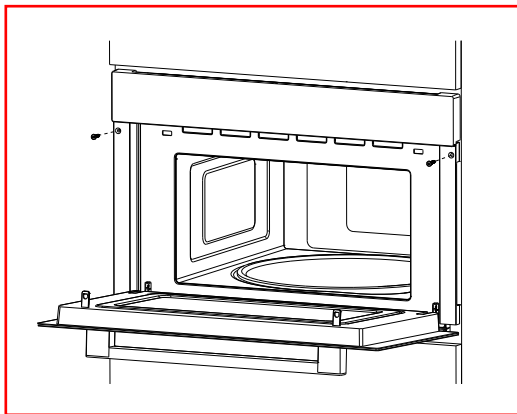
Die Mindestmontagehöhe beträgt 850 mm.

Nicht unterhalb der Arbeitsfläche verwenden und nichts auf die Oberfläche tropfen lassen, auf der das Gerät installiert ist.



Einbau

- Das Gerät nicht am Türgriff festhalten oder transportieren. Der Türgriff kann das Gewicht des Gerätes nicht halten und bricht ggf. ab.
1. Die Mikrowelle vorsichtig und mittig in das Gehäuse einschieben.
 2. Die Tür öffnen und die Mikrowelle mit den beiliegenden Schrauben befestigen.



- Setzen Sie das Gerät vollständig ein und zentrieren Sie es.
- Darauf achten, das Stromkabel nicht abzuknicken.
- Das Gerät an seinen Platz verschrauben.

Wichtige Informationen für Gerät mit Stecker

Elektrischer Anschluss

Das Gerät ist mit einem Stecker ausgestattet, der mit einer ordnungsgemäß geerdeten Steckdose verbunden werden muss. Nur ein qualifizierter Elektriker, der die entsprechenden Vorschriften berücksichtigt, darf die Steckdose installieren oder das Anschlusskabel austauschen. Wenn der Stecker nach der Installation nicht mehr zugänglich sein sollte, muss ein allpoliger Trennschalter mit einem Kontaktpalt von mindestens 3 mm vorgesehen werden.

Der Berührungsschutz muss durch die Installation gewährleistet sein.

Absicherung: siehe Gebrauchsanweisung - Technische Daten.

Wichtige Informationen für Gerät ohne Stecker

Das Gerät ist für die Festinstallation mit einem dreipoligen Netzkabel vorgesehen und darf nur von einem zugelassenen Fachmann gemäß dem Anschlussplan angeschlossen werden.

Der Austausch des Netzkabels darf nur von einem qualifizierten Elektriker unter Berücksichtigung der einschlägigen Vorschriften vorgenommen werden. Verwenden Sie keine Mehrfachsteckdosen, Steckdosenleisten oder Verlängerungen für den Geräteanschluss. Bei Überlastung des Stromnetzes besteht Brandgefahr.

Wenn der Anschluss nach der Installation nicht mehr zugänglich sein sollte, muss ein allpoliger Trennschalter mit einem Kontaktpalt von mindestens 3 mm vorgesehen werden.

Schließen Sie die Drähte des Netzkabels entsprechend der folgenden Farbkodierung an:

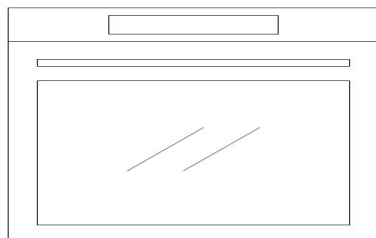
Grün und gelb	Erdungsleitung < (E)
Blau	Neutralleiter (N)
Braun	Spannungsführend/Live (L)

Großbritannien und Australien:

Schließen Sie das Gerät nicht mit einem 13-A-Stecker an und schützen Sie es nicht mit einer 13-A-Sicherung. Das Gerät muss mit einer Sicherung von 16 A oder mehr abgesichert werden. Bei allen Installationsarbeiten muss das Gerät von der Stromversorgung getrennt werden. Bei der Installation des Geräts muss ein Schutz gegen zufälliges Berühren vorgesehen werden.

Haier

Manuale dell'utente



CANDY HOOVER GROUP – Via Comolli 16, Brugherio – Italia

Sommario

49	Istruzioni importanti per la sicurezza
56	Descrizione del prodotto
58	Funzionamento del prodotto
59	Uso dell'elettrodomestico
63	Pulizia e manutenzione
64	Protezione dell'ambiente e smaltimento
65	Installazione

Gentile Cliente,

La ringraziamo e ci congratuliamo con Lei per la scelta effettuata. Questo nuovo prodotto è stato progettato e costruito accuratamente con materiali di alta qualità, ed è stato collaudato meticolosamente affinché soddisfi tutte le Sue esigenze culinarie.

Consulti attentamente queste semplici istruzioni per ottenere risultati eccellenti fin dal primo utilizzo. Assieme a questo elettrodomestico all'avanguardia Le porgiamo i nostri migliori auguri.

Istruzioni importanti per la sicurezza



PRECAUZIONI PER EVITARE LA POSSIBILE ESPOSIZIONE A UN'ECESSIVA ENERGIA A MICROONDE

- Per evitare esposizioni nocive all'energia a microonde, non provare a utilizzare questo forno con lo sportello aperto. Prestare particolare attenzione a non danneggiare o manomettere gli interblocchi di sicurezza.
- Non collocare alcun oggetto tra il lato anteriore del forno e lo sportello. Evitare l'accumulo di sporcizia o residui di detersivo sulle superfici di tenuta.
- **AVVERTENZA:** in caso di danni allo sportello o alle guarnizioni dello sportello, utilizzare il forno solo dopo che è stato riparato da una persona competente.

ISTRUZIONI E AVVERTENZE IMPORTANTI PER LA SICUREZZA

Per ridurre il rischio di incendi, scosse elettriche, lesioni personali o esposizione a un'energia eccessiva del forno a microonde durante l'uso, attenersi alle precauzioni basilari e alle seguenti avvertenze:

- Attenersi alla seguente specifica: "PRECAUZIONI PER EVITARE LA POSSIBILE ESPOSIZIONE A UN'ECESSIVA ENERGIA A MICROONDE".
- Questo elettrodomestico può essere utilizzato da bambini di almeno 8 anni, da persone con ridotte capacità fisiche, sensoriali o mentali e da persone inesperte solo sotto stretta sorveglianza o se hanno appreso le modalità di utilizzo sicuro dell'elettrodomestico e sono consapevoli dei relativi pericoli. Impedire ai bambini di giocare con l'elettrodomestico. La pulizia e la manutenzione non devono essere effettuate da bambini non sorvegliati.
- Tenere l'elettrodomestico e il cavo fuori dalla portata di bambini di età inferiore a 8 anni.
- Se il cavo di alimentazione è danneggiato, deve essere sostituito dal produttore, da un tecnico dell'assistenza o da una persona con analogha qualifica per evitare rischi.
- **AVVERTENZA:** per evitare scosse elettriche, accertarsi che l'elettrodomestico sia spento prima di sostituire la lampadina.
- **AVVERTENZA:** le operazioni di manutenzione e riparazione che implicano la rimozione degli involucri possono essere pericolose se non effettuate da personale competente, dal momento che causano l'esposizione all'energia a microonde.
- **AVVERTENZA:** non riscaldare liquidi o alimenti in contenitori sigillati, poiché potrebbero esplodere.
- Quando si riscaldano alimenti contenuti in una vaschetta in plastica o carta, controllare

frequentemente il forno perché i contenitori potrebbero incendiarsi.

- Adoperare solo utensili da cucina idonei all'uso nei forni a microonde.
- Se il forno emette fumo, spegnerlo o scollegarlo dall'alimentazione elettrica e mantenere chiuso lo sportello per evitare la propagazione alle fiamme.
- Il riscaldamento di bevande nel forno a microonde può provocare una violenta ebollizione ritardata, per cui manipolare il contenitore con cautela.
- Per evitare ustioni, mescolare e agitare il contenuto di biberon e barattoli contenenti alimenti per neonati, e controllare la temperatura prima del consumo.
- Non riscaldare nel microonde uova col guscio e uova sode intere perché potrebbero esplodere anche dopo la fine della cottura.
- Dettagli per la pulizia delle guarnizioni degli sportelli, delle cavità e delle parti adiacenti.
- È indispensabile pulire regolarmente il forno e rimuovere tutti i residui di alimenti.
- Se il forno non viene tenuto sempre pulito, le superfici potrebbero deteriorarsi, riducendo la durata dell'elettrodomestico e causando situazioni pericolose.
- Per questo forno utilizzare solo la sonda per la temperatura consigliata (per i forni dotati di apparecchiature per l'uso di una sonda di rilevamento della temperatura).
- Il forno a microonde deve essere utilizzato con lo sportello decorativo aperto (per i forni dotati di sportello decorativo).

- Questo elettrodomestico è destinato all'uso domestico e a utilizzi simili a quelli di seguito indicati:
 - zone cucina per il personale di negozi, uffici e altri ambienti lavorativi;
 - clienti di hotel, motel e altri ambienti residenziali;
 - agriturismi;
 - bed & breakfast.
- Il forno a microonde è progettato per riscaldare alimenti e bevande. L'asciugatura di alimenti o indumenti e il riscaldamento di cuscinetti scaldanti, pantofole, spugne, panni bagnati e simili può provocare lesioni o innescare incendi.
- Non è consentito utilizzare contenitori metallici per alimenti e bevande durante la cottura a microonde.
- Non pulire l'apparecchio con elettrodomestici a vapore.
- Per evitare che l'elettrodomestico si surriscaldi, non installarlo dietro uno sportello decorativo. (non riguarda elettrodomestici dotati di sportello decorativo).
- Il forno a microonde deve essere utilizzato a incasso.
- L'apparecchio deve essere messo in funzione con lo sportello del mobile aperto.
- Quando i contenitori vengono rimossi dall'elettrodomestico, non spostare il piatto girevole. (Per gli elettrodomestici fissi e a incasso, dotati di piatti girevoli staccabili, utilizzati a un'altezza minima di 90 cm dal pavimento. Non riguarda elettrodomestici dotati di sportello incernierato orizzontale.)
- La superficie del cassetto portaoggetti potrebbe riscaldarsi.

- Non adoperare detersivi aggressivi e abrasivi o raschietti metallici affilati per pulire il vetro dello sportello del forno, altrimenti la superficie potrebbe graffiarsi e il vetro potrebbe frantumarsi.
- **AVVERTENZA:** l'elettrodomestico e i componenti accessibili diventano molto caldi durante l'uso. Non toccare le resistenze. Tenere lontani i bambini di età inferiore a 8 anni se non sono sorvegliati continuamente.
- Durante e dopo l'uso l'apparecchio diventa caldo. Non toccare le resistenze all'interno del forno.
- **AVVERTENZA:** Le parti accessibili possono diventare calde durante e dopo l'uso. Tenere lontani i bambini.
- **AVVERTENZA:** in modalità combinata, l'uso del forno è consentito ai bambini solo sotto la supervisione di un adulto a causa delle alte temperature prodotte.

INSTALLAZIONE DEL COLLEGAMENTO A TERRA PER RIDURRE IL RISCHIO DI LESIONI PERSONALI PERICOLO

- Pericolo di scossa elettrica
- Per evitare scosse elettriche e lesioni personali gravi o fatali, non toccare gli elementi interni. Non smontare questo elettrodomestico.

AVVERTENZA

- Pericolo di scossa elettrica
- L'uso improprio della messa a terra può causare scosse elettriche. Se l'elettrodomestico non è installato e

collegato correttamente a terra, non collegarlo alla presa elettrica.

- L'elettrodomestico deve essere dotato di messa a terra. In caso di cortocircuito, il collegamento a terra limita il rischio di scosse elettriche in quanto il conduttore di terra garantisce un percorso per la dissipazione della corrente elettrica.
- Questo elettrodomestico è fornito con un cavo dotato di un conduttore di terra e di una spina di messa a terra. La spina deve essere collegata a una presa correttamente installata e dotata di messa a terra.
- In caso di dubbi relativi al collegamento a terra dell'elettrodomestico, consultare un tecnico o un elettricista qualificato.
- Se è necessario adoperare una prolunga, utilizzare un cavo tripolare.
 - Il cavo di alimentazione fornito è corto per ridurre i rischi che vi si possa restare impigliati o inciampare.
 - Se si utilizza un cavo lungo o una prolunga:
 - Le caratteristiche elettriche nominali del cavo o della prolunga devono essere idonee alle caratteristiche elettriche dell'elettrodomestico.
 - L'eventuale prolunga deve essere costituita da un cavo tripolare dotato di conduttore di terra.
 - I cavi lunghi devono essere sistemati in modo che non ciondolino sul top della cucina, per evitare che vengano tirati dai bambini o possano far inciampare.

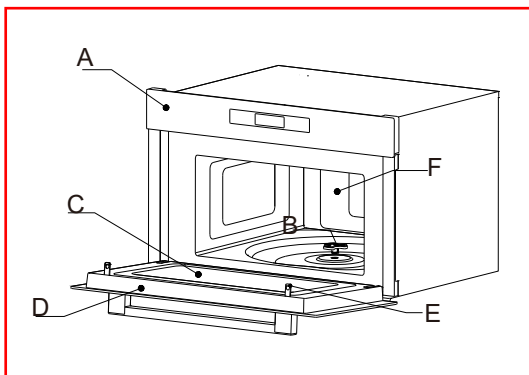
Materiali utilizzabili nel forno a microonde

Utensili da cucina	Note
Piatto per doratura	Seguire le istruzioni del fabbricante. Il fondo del piatto per doratura deve trovarsi ad almeno 5 mm al di sopra del piatto girevole. Utilizzi errati potrebbero causare la rottura del piatto girevole.
Stoviglie	Solo quelle utilizzabili nei forni a microonde. Seguire le istruzioni del fabbricante. Non adoperare piatti screpolati o scheggiati.
Barattoli di vetro	Rimuovere sempre il coperchio. Adoperarli solo per riscaldare lievemente gli alimenti. La maggior parte dei barattoli di vetro non resistono al calore e possono rompersi.
Cristalleria	Adoperare solo cristalleria che resiste nei forni a microonde. Accertarsi che non siano presenti finiture metalliche. Non adoperare piatti screpolati o scheggiati.
Sacchetti per la cottura in forno	Seguire le istruzioni del fabbricante. Non chiuderli con fascette metalliche. Creare qualche feritoia per lasciare uscire il vapore.
Piatti e bicchieri di carta	Adoperarli solo per cottura o riscaldamento breve. Non lasciare il forno incustodito durante la cottura.
Carta assorbente	Adoperarla per coprire gli alimenti per riscaldarli e assorbire i grassi. Adoperarla solo per cotture brevi, senza lasciare incustodito il forno.
Carta da forno	Adoperarla come coperchio per evitare schizzi o per la cottura a vapore.
Plastica	Solo quelle utilizzabili nei forni a microonde. Seguire le istruzioni del fabbricante. Deve essere presente un'apposita etichetta indicante che è possibile utilizzarla nei forni a microonde. Alcuni contenitori in plastica si ammorbidiscono quando gli alimenti diventano caldi. Se si utilizzano sacchetti per la cottura e sacchetti in plastica chiusi ermeticamente, praticare piccoli tagli o fori come indicato sulla confezione.
Pellicola di plastica	Solo quelle utilizzabili nei forni a microonde. Utilizzarla per coprire gli alimenti durante la cottura per trattenere l'umidità. Evitare il contatto della plastica con gli alimenti.
Termometri	Solo quelli utilizzabili nei forni a microonde (termometri per la carne e i dolci).
Carta cerata	Adoperarla come coperchio per evitare schizzi o per trattenere l'umidità.

Materiali da evitare nel forno a microonde

Utensili da cucina	Note
Vaschette di alluminio	Possono causare archi elettrici. Trasferire gli alimenti in un piatto adatto alla cottura a microonde.
Cartone per alimenti con maniglie metalliche	Possono causare archi elettrici. Trasferire gli alimenti in un piatto adatto alla cottura a microonde.
Utensili da cucina in metallo o con finiture metalliche	Il metallo schermava gli alimenti dall'energia a microonde. Le finiture metalliche possono causare archi elettrici.
Fascette metalliche	Possono causare archi elettrici e incendi nel forno.
Sacchetti di carta	Possono causare incendi nel forno.
Materiale espanso plastico	Il materiale espanso plastico può fondere o contaminare il liquido interno quando viene esposto ad alte temperature.
Legno	Quando viene utilizzato nel forno a microonde, il legno si secca e potrebbe creparsi o rompersi.

Descrizione del prodotto



- A) Pannello di controllo
- B) Alberino del piatto girevole
- C) Finestra di ispezione
- D) Sportello
- E) Sistema di interblocco di sicurezza
- F) Cavità del forno



ACCESSORI

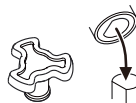
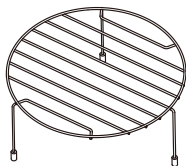
Togliere il forno e tutti i materiali dal cartone e dalla cavità del forno. Il forno viene fornito con i seguenti accessori:



Vassoio di vetro

Anello di supporto del piatto girevole

Manuale di istruzioni

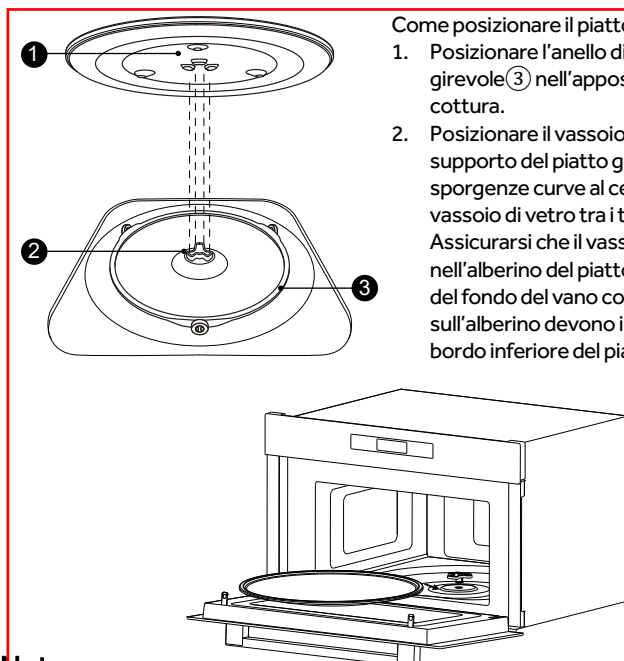


Alberino del piatto girevole

Griglia superiore. (Per grigliare, ad esempio bistecche, salsicce e per tostare il pane. Come supporto per piatti piani.)

INSTALLAZIONE DEL PIATTO GIREVOLE

Pulizia del vano cottura e posizionamento del piatto girevole. Alla prima installazione, assicurarsi che tutto il nastro di imballaggio e spedizione sia stato rimosso dall'alberino del piatto girevole. Prima di utilizzare l'apparecchio per preparare il cibo per la prima volta, è necessario posizionare correttamente il piatto girevole. È necessario pulire il vano cottura e gli accessori.



Come posizionare il piatto girevole:

1. Posizionare l'anello di supporto del piatto girevole (3) nell'apposito incavo del vano cottura.
2. Posizionare il vassoio di vetro (1) sull'anello di supporto del piatto girevole (3). Inserire le sporgenze curve al centro del fondo del vassoio di vetro tra i tre raggi dell'alberino. Assicurarsi che il vassoio di vetro (1) si innesti nell'alberino del piatto girevole (2) al centro del fondo del vano cottura. I rulli presenti sull'alberino devono inserirsi all'interno del bordo inferiore del piatto girevole.





Nota:

1. Non utilizzare mai l'elettrodomestico senza il piatto girevole. Assicurarsi che sia correttamente innestato. Il piatto girevole può ruotare in senso orario o antiorario.
2. Non capovolgere il vassoio di vetro. Il vassoio di vetro non deve mai bloccarsi.
3. Durante la cottura, utilizzare sia il vassoio di vetro che l'anello di supporto del piatto girevole.
4. Alcuni alimenti e i rispettivi contenitori devono essere collocati sempre sul vassoio di vetro per la cottura.
5. Non ostacolare mai il movimento del piatto girevole.
6. Se il vassoio di vetro o l'anello di supporto del piatto girevole si incrina o si rompe, rivolgersi al centro assistenza autorizzato più vicino.

Funzionamento del prodotto

PANNELLO DI CONTROLLO



Simbolo	Funzione
	Microonde
F	Funzione
	Orologio/timer per cottura
	Menu Auto
  3S	Blocco/Annulla
	Start/+30 sec./Conferma

Uso dell'elettrodomestico

USO

Nome	Descrizione												
Impostazione dell'orologio	<ol style="list-style-type: none"> (1) Premere una volta "Orologio/timer per cottura"; sul display verrà visualizzato "00:00". (2) Agire sul dispositivo di scorrimento o premere "+" o "-" per impostare le cifre dell'ora. L'ora deve essere compresa tra 0 e 23. (3) Premere "Orologio/timer per cottura" per confermare. (4) Agire sul dispositivo di scorrimento o premere "+" o "-" per impostare le cifre dei minuti. Il valore impostato deve essere compreso tra 0 e 59. (5) Premere "Orologio/timer per cottura" per confermare. 												
Timer per cottura	<ol style="list-style-type: none"> (1) Premere due volte "Orologio/timer per cottura"; verrà visualizzato "00:00". (2) Agire sul dispositivo di scorrimento o premere "+" o "-" per impostare il tempo. Il valore impostato deve essere compreso tra 0:05 e 95:00. (3) Premere "Start/+30 sec./Conferma" per confermare. 												
Microonde	<table border="1"> <thead> <tr> <th>Livello di potenza</th> <th>100%</th> <th>80%</th> <th>50%</th> <th>30%</th> <th>10%</th> </tr> </thead> <tbody> <tr> <td>Valore visualizzato</td> <td>P10</td> <td>P8</td> <td>P5</td> <td>P3</td> <td>P1</td> </tr> </tbody> </table> <ol style="list-style-type: none"> (1) In stato di attesa, premere "Microonde"; sul display verrà visualizzato "P10". (2) Premere ripetutamente "Microonde" per regolare la potenza su uno dei 5 livelli disponibili. (3) Agire sul dispositivo di scorrimento o premere "+" o "-" per impostare il tempo di cottura. (4) Premere "Start/+30 sec./Conferma" per avviare la cottura. 	Livello di potenza	100%	80%	50%	30%	10%	Valore visualizzato	P10	P8	P5	P3	P1
Livello di potenza	100%	80%	50%	30%	10%								
Valore visualizzato	P10	P8	P5	P3	P1								
Grill	<ol style="list-style-type: none"> (1) Premere "Funzione" una volta; sul display verrà visualizzato "G-1". (2) Agire sul dispositivo di scorrimento o premere "+" o "-" per impostare il tempo di cottura. (3) Premere "Start/+30 sec./Conferma" per avviare la cottura. <p>Nota: quando è trascorsa metà del tempo, il cicalino suonerà per ricordarti di girare il cibo. Se non viene effettuata alcuna operazione, il forno continua a funzionare.</p>												

<p>Cottura combinata</p>	<p>(1) Premere "Funzione" una volta; sul display verrà visualizzato "G-1". Premere ripetutamente "Funzione" per scegliere la potenza desiderata; in sequenza verranno visualizzati "C-1", "C-2" <input type="text"/></p> <p>(2) Agire sul dispositivo di scorrimento o premere "+" o "-" per impostare il tempo di cottura.</p> <p>(3) Premere "Start/+30 sec./Conferma" per avviare la cottura.</p> <p>Nota: Istruzioni per la cottura combinata</p> <table border="1" data-bbox="339 373 975 520"> <thead> <tr> <th>Istruzioni</th> <th>Valore visualizzato</th> <th>Microonde</th> <th>Grill</th> <th><input type="text"/></th> </tr> </thead> <tbody> <tr> <td>1</td> <td>C-1</td> <td>55%</td> <td>45%</td> <td></td> </tr> <tr> <td>2</td> <td>C-2</td> <td>36%</td> <td>64%</td> <td></td> </tr> </tbody> </table> <p><input type="text"/></p>	Istruzioni	Valore visualizzato	Microonde	Grill	<input type="text"/>	1	C-1	55%	45%		2	C-2	36%	64%	
Istruzioni	Valore visualizzato	Microonde	Grill	<input type="text"/>												
1	C-1	55%	45%													
2	C-2	36%	64%													
<p>Scongelamento in base al peso</p>	<p>(1) Premere "Funzione" <input type="text"/> due volte; sul display verrà visualizzato "0.1kg".</p> <p>(2) Agire sul dispositivo di scorrimento o premere "+" o "-" per impostare il peso. Il valore deve essere compreso tra 100 e 2000 g.</p> <p>(3) Premere "Start/+30 sec./Conferma" per avviare lo scongelamento.</p>															
<p>Scongelamento in base al tempo</p>	<p>(1) Premere "Funzione" <input type="text"/> tre volte; sul display verrà visualizzato "1:00".</p> <p>(2) Agire sul dispositivo di scorrimento o premere "+" o "-" per impostare il tempo.</p> <p>(3) Premere "Start/+30 sec./Conferma" per avviare lo scongelamento.</p> <p>Nota: Quando è trascorsa metà del tempo di scongelamento, il cicalino suonerà per ricordarti di girare il cibo. Se non viene effettuata alcuna operazione, il forno continua a funzionare.</p>															
<p>Cottura veloce</p>	<p>(1) In stato di attesa, premere "Start/+30 sec./Conferma" per cuocere l'alimento al 100% della potenza per 30 secondi. Ad ogni pressione sullo stesso tasto è possibile aumentare il tempo di 30 secondi, fino a un valore massimo di 95 minuti.</p> <p>Nota: la cottura veloce non può essere impostata con lo scongelamento in base al peso, la cottura in più fasi e il menu automatico.</p>															

<p>Funzione di blocco bambini</p>	<p>È possibile utilizzare questa funzione per evitare che i bambini accendano accidentalmente il forno. Per attivare il blocco: In stato di attesa, premere e tenere premuto "Blocco/Annulla" per tre secondi. Viene emesso un lungo segnale acustico e sul display viene visualizzata l'icona del lucchetto. Per disattivare il blocco: In stato bloccato, premere e tenere premuto "Blocco/Annulla" per tre secondi. Viene emesso un lungo segnale acustico.</p>
<p>Funzione di controllo</p>	<p>(1) Se l'orologio è stato impostato, premendo "Orologio/timer per cottura" per tre secondi con il forno in stato di cottura verrà visualizzata l'ora corrente.</p>
<p>Menu Auto</p>	<p>(1) In stato di attesa, premere "Menu Auto"; sullo schermo verrà visualizzato "A-1". (2) Premere ripetutamente "Menu Auto" per scegliere il menu automatico desiderato tra 8 disponibili. (3) Agire sul dispositivo di scorrimento o premere "+" o "-" per impostare il peso degli alimenti. (4) Premere "Start/+30 sec./Conferma" per avviare la cottura.</p>

TABELLA DEL MENU AUTO

Menu	Peso (g)	Valore visualizzato	Potenza
A-1 PATATE	1 (circa 230 g)	1	P100
	2 (circa 460 g)	2	
	3 (circa 690 g)	3	
A-2 CARNE	150 g	150 g	P80
	300 g	300 g	
	450 g	450 g	
	600 g	600 g	
A-3 PESCE	150 g	150 g	P80
	250 g	250 g	
	350 g	350 g	
	450 g	450 g	
	650 g	650 g	
A-4 VERDURE	150 g	150 g	P100
	350 g	350 g	
	500 g	500 g	
A-5 BEVANDE	1 tazza (240 g)	1	P100
	2 tazze (480 g)	2	
	3 tazze (720 g)	3	
A-6 PASTA	50 g (acqua fredda 450 g)	50 g	P80
	100 g (acqua fredda 800 g)	100 g	
	150 g (acqua fredda 1200 g)	150 g	
A-7 POPCORN	100 g	100 g	P100
A-8 PIZZA	200 g	200 g	P100+G-1
	400 g	400 g	

Pulizia e manutenzione

Accertarsi che l'elettrodomestico sia scollegato dalla fonte di alimentazione.

1. Pulire la cavità del forno con un panno lievemente bagnato.
2. Pulire gli accessori con acqua e sapone.
3. La cornice dello sportello, la guarnizione e i componenti vicini devono essere puliti attentamente con un panno bagnato se sono sporchi.
4. Non adoperare detersivi aggressivi e abrasivi o raschietti metallici affilati per pulire il vetro dello sportello del forno, altrimenti la superficie potrebbe graffiarsi e il vetro potrebbe frantumarsi.
5. Suggerimento per la pulizia: per facilitare la pulizia delle pareti della cavità che potrebbero entrare a contatto con gli alimenti cotti: collocare mezzo limone in una scodella, aggiungere 300 ml d'acqua e riscaldarla per 10 minuti con il forno a microonde al 100% della potenza. Per pulire il forno, strofinarlo con un panno morbido e asciutto.

Protezione dell'ambiente e smaltimento

SOLUZIONE DEI PROBLEMI

Normale	
Il forno a microonde interferisce con la ricezione del segnale televisivo	Quando il forno a microonde è in funzione, potrebbe interferire sulla ricezione del segnale radio e televisivo. Il fenomeno è simile alle interferenze di piccoli elettrodomestici (ad es. frullatore, aspirapolvere, ventilatori elettrici). È normale.
La spia del forno è debole	Se la cottura a microonde avviene a bassa potenza, la spia del forno potrebbe diventare debole. È normale.
Accumulo di vapore sullo sportello, fuoriuscita di aria calda dagli sfiati	Durante la cottura, potrebbe fuoriuscire vapore dagli alimenti. La maggior parte viene estratto dagli sfiati. Parte, però, potrebbe accumularsi su una zona fresca, ad esempio lo sportello del forno. È normale.
Il forno si è avviato accidentalmente senza alimenti.	Non azionare l'elettrodomestico senza alimenti all'interno. È molto pericoloso.

Problema	Causa possibile	Soluzione
Il forno non si avvia.	(1) Il cavo di alimentazione non è collegato saldamente.	Staccare il cavo. Ricollegare il cavo dopo 10 secondi.
	(2) Il fusibile si brucia o entra in azione il salvavita.	Sostituire il fusibile o resettare il salvavita (riparato da un professionista della società elettrica).
	(3) Problema con la presa elettrica.	Provare la presa elettrica con altri elettrodomestici.
Il forno non si riscalda.	(4) Lo sportello non è chiuso correttamente.	Chiudere bene lo sportello.



In conformità alla direttiva RAEE (Rifiuti di Apparecchiature Elettriche ed Elettroniche), le apparecchiature elettriche ed elettroniche di scarto devono essere smaltite e gestite separatamente. Se in futuro occorre smaltire questo prodotto, NON smaltirlo assieme i rifiuti domestici. Conferire questo prodotto nei punti disponibili alla raccolta delle apparecchiature elettriche ed elettroniche di scarto.

Installazione

INSTALLAZIONE E COLLEGAMENTO

1. Questo elettrodomestico è progettato solo per usi domestici.
2. Questo forno è destinato solo per il montaggio a incasso. Non è progettato per utilizzarlo sul top di cucina o all'interno di una credenza.
3. Attenersi scrupolosamente alle istruzioni particolari per l'installazione.
4. L'elettrodomestico può essere installato in una credenza montata a parete larga 60 cm.
5. L'elettrodomestico è dotato di una spina che deve essere collegata solo a una presa dotata di messa a terra.
6. La tensione della rete elettrica deve corrispondere a quella specificata sulla targhetta.
7. L'installazione della presa e la sostituzione del cavo di collegamento devono essere effettuati solo da un elettricista qualificato. Se non è possibile accedere alla spina dopo l'installazione, predisporre un dispositivo di scollegamento onnipolare dal lato dell'installazione con un margine di contatto di almeno 3 mm.
8. Non adoperare adattatori, prese multiple e prolunghe. Eventuali sovraccarichi possono causare incendi.

Durante e dopo il funzionamento la superficie accessibile può essere molto calda.



FORNO DA INCASSO

Modello: **HWO38MG2BHxBD / HWO38MG2IHxBD**

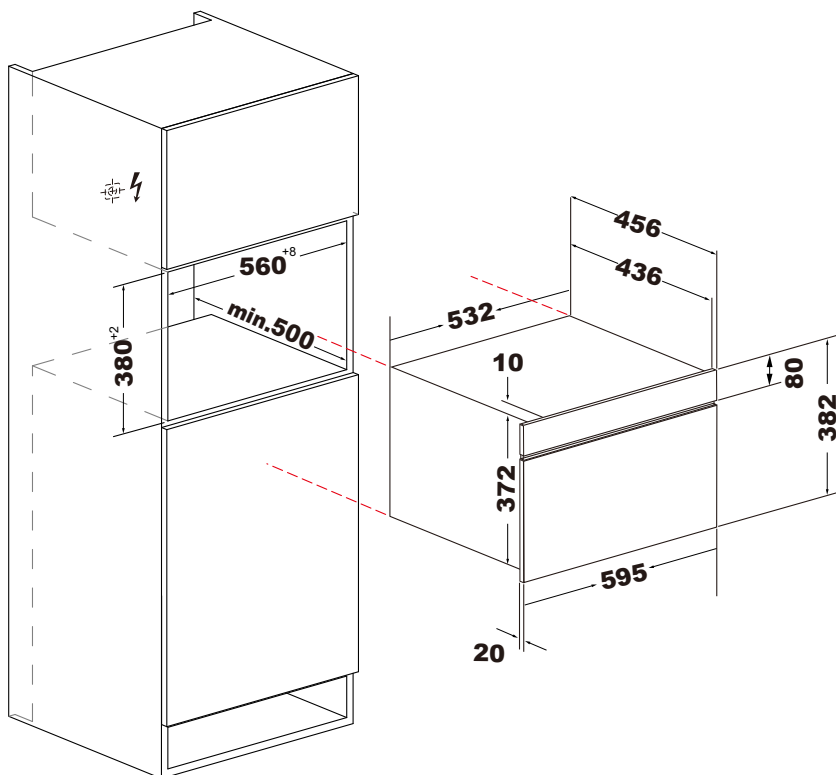
INSTALLAZIONE

Le dimensioni sono espresse in mm.

I mobili in cui viene installato l'elettrodomestico devono essere resistenti al calore fino a 95°C.

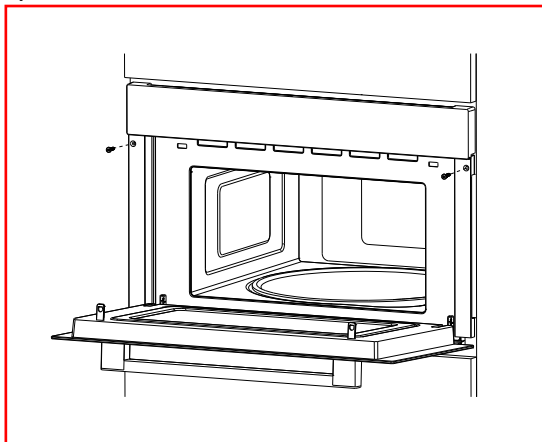
L'altezza minima di installazione è di 850 mm.

Non utilizzare sotto la superficie di lavoro e non versare dal contenitore sulla superficie dove è installata l'apparecchiatura.



Incasso

- Non afferrare né trasportare l'elettrodomestico per la maniglia dello sportello. La maniglia dello sportello non è in grado di sostenere il peso dell'elettrodomestico e potrebbe rompersi.
1. Spingere con cautela il microonde all'interno del vano, assicurandosi che sia al centro.
 2. Aprire lo sportello e fissare il microonde con le viti in dotazione.



- Inserire completamente l'elettrodomestico e centrarlo.
- Non piegare il cavo di alimentazione.
- Fissare l'elettrodomestico in posizione avvitando.

Informazioni importanti per i modelli con spina

Collegamento elettrico

L'elettrodomestico è dotato di una spina che deve essere collegata solo a una presa dotata di messa a terra. L'installazione della presa o la sostituzione del cavo di collegamento possono essere effettuate solo da un elettricista qualificato nel rispetto delle normative. Se non è possibile accedere alla spina dopo l'installazione, predisporre un interruttore di isolamento omipolare dal lato dell'installazione con una distanza tra i contatti di almeno 3 mm.

La protezione dei contatti deve essere garantita dall'installazione.

Fusibile di protezione: si vedano i dati tecnici nelle istruzioni per l'uso.

Informazioni importanti per i modelli senza spina

L'elettrodomestico è progettato per essere installato in modo permanente con un cavo di alimentazione tripolare e può essere collegato solo da un tecnico qualificato nel rispetto dello schema di collegamento.

La sostituzione del cavo di alimentazione può essere effettuata unicamente da un elettricista qualificato nel rispetto delle normative vigenti. Non utilizzare prese multiple, adattatori o prolunghe. Un eventuale sovraccarico potrebbe dare luogo a un rischio di incendio. Se dopo l'installazione non è più possibile accedere al collegamento, è necessario prevedere un interruttore di isolamento omnipolare con una distanza tra i contatti di almeno 3 mm.

Collegare i fili del cavo di alimentazione attenendosi ai seguenti codici colore:

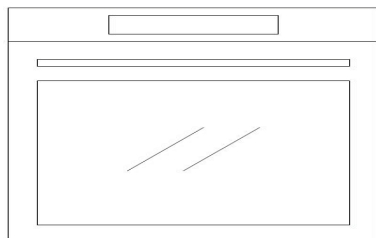
Verde e giallo	Filo di terra < (E)
Blu	Filo neutro (N)
Marrone	Fase (L)

Gran Bretagna e Australia:

Non collegare l'elettrodomestico utilizzando una spina da 13 A, né proteggerlo con un fusibile da 13 A. L'elettrodomestico deve essere protetto utilizzando un fusibile di capacità nominale pari o superiore a 16 A. Durante tutte le operazioni di installazione l'elettrodomestico deve essere scollegato dalla rete elettrica. Una volta eseguita l'installazione, dovrà essere prevista una protezione contro il contatto accidentale futuro.

Haier

Manual de usuario



CANDY HOOVER GROUP – Via Comolli 16, Brugherio – Italy

Índice

71	Indicaciones de seguridad importantes
78	Descripción del producto
80	Cómo funciona este producto
81	Uso del electrodoméstico
85	Limpieza y mantenimiento
86	Eliminación y protección del medio ambiente
87	Instalación

Estimado/a cliente/a:

Queremos agradecerle y felicitarle por su elección. Este nuevo producto ha sido cuidadosamente diseñado y fabricado con materiales de alta calidad y meticulosamente probado para asegurarse de que cumple con todas sus necesidades culinarias.

Por favor, lea y siga estas instrucciones sencillas, que le permitirán obtener excelentes resultados ya desde el primer uso. Recibe este electrodoméstico de última generación con nuestros mejores deseos.

Indicaciones de seguridad importantes



PRECAUCIONES PARA EVITAR UNA POSIBLE EXPOSICIÓN A UN EXCESO DE ENERGÍA DE MICROONDAS

- No intente hacer funcionar este horno con la puerta abierta, ya que esto puede provocar una exposición perjudicial a la energía de las microondas. Es importante no romper o manipular los mecanismos de cierre de seguridad.
- No coloque ningún objeto entre la parte frontal del horno y la puerta ni permita que se acumulen restos de suciedad o de productos limpiadores en las superficies de las juntas.
- **ADVERTENCIA:** Si la puerta o las juntas de la puerta están dañadas, no debe utilizarse el horno hasta que un técnico competente lo haya reparado.

ADVERTENCIA DE SEGURIDAD IMPORTANTE

Para reducir el riesgo de incendio, de descarga eléctrica, de lesiones personales o de exposición a un exceso de energía del horno microondas mientras utiliza el aparato, siga las precauciones básicas, incluyendo las siguientes:

- Lea y siga las siguientes indicaciones: «PRECAUCIONES PARA EVITAR UNA POSIBLE EXPOSICIÓN A UN EXCESO DE ENERGÍA DE MICROONDAS».
- Este electrodoméstico puede ser utilizado por niños a partir de 8 años y por personas con capacidades físicas, sensoriales o mentales disminuidas, o sin experiencia o conocimientos previos, siempre y cuando lo hagan bajo supervisión, hayan recibido las instrucciones necesarias para un uso seguro y comprendan los riesgos que esto implica. Los niños no deben jugar con este electrodoméstico. Las operaciones de limpieza y mantenimiento no deben ser realizadas por niños sin supervisión.
- Mantenga el aparato y su cable fuera del alcance de los niños menores de 8 años.
- Si el cable de alimentación está dañado, debe ser sustituido por el fabricante, por su servicio técnico o por cualquier profesional cualificado similar para evitar riesgos.
- **ADVERTENCIA:** Para evitar la posibilidad de descargas eléctricas, asegúrese de que el electrodoméstico esté apagado antes de cambiar la bombilla.
- **ADVERTENCIA:** Es peligroso que alguien que no sea una persona competente lleve a cabo cualquier tarea de mantenimiento o reparación que implique la retirada de una cubierta que proteja de la exposición a la energía de microondas.
- **ADVERTENCIA:** No se deben calentar líquidos ni alimentos en recipientes cerrados, ya que pueden explotar.
- Cuando caliente alimentos en recipientes de plástico o papel, vigile el horno por la posibilidad de que se inflamen.

- Utilice únicamente utensilios aptos para su uso en hornos microondas.
- Si se genera humo, apague o desenchufe el aparato y mantenga la puerta cerrada para apagar las posibles llamas.
- Calentar las bebidas en el microondas puede provocar una ebullición retardada, por lo que hay que tener cuidado al manipular el recipiente.
- Antes de consumir el contenido de los biberones y de los tarros de comida para bebés, hay que removerlo o agitarlo y comprobar su temperatura, para evitar quemaduras.
- Los huevos con cáscara y los huevos duros enteros no deben calentarse en los hornos microondas, ya que pueden explotar, incluso después de haber terminado de calentarlos.
- Detalles para la limpieza de las juntas de la puerta, cavidades y piezas adyacentes.
- El horno debe limpiarse regularmente y eliminar cualquier resto de alimento.
- No mantener el horno en buenas condiciones de limpieza podría provocar un deterioro de la superficie que podría afectar negativamente a la vida útil del aparato y posiblemente provocar una situación de peligro.
- Utilice exclusivamente la sonda de temperatura recomendada para este horno. (Para los hornos compatibles con el uso de una sonda de temperatura).
- El horno microondas debe funcionar con la puerta decorativa abierta. (Para hornos con puerta decorativa).
- Este aparato está diseñado para su uso doméstico y para aplicaciones similares, tales como:

- Cocinas para personal de tiendas, oficinas y otros entornos de trabajo.
- El uso por clientes en hoteles, moteles y otros entornos de tipo residencial;
- Fincas agrícolas;
- Alojamientos turísticos del tipo "bed and breakfast".
- El horno microondas está destinado a calentar alimentos y bebidas. El secado de alimentos o ropa y el calentamiento de almohadillas térmicas, pantuflas, esponjas, paños húmedos y similares pueden provocar lesiones, ignición o incendio.
- No se permite el uso de recipientes metálicos para alimentos y bebidas durante la cocción al microondas.
- El aparato no debe limpiarse con un limpiador a vapor.
- Para evitar sobrecalentamientos, este electrodoméstico no debe instalarse detrás de una puerta decorativa. (Esto no es aplicable para electrodomésticos con puerta decorativa).
- Este horno microondas está destinado a ser encastrado.
- El aparato debe usarse con cualquier puerta del armario abierta.
- Debe tenerse cuidado de no desmontar el plato giratorio al retirar los envases del aparato. (Para aparatos fijos y aparatos encastrados que se utilicen a una altura igual o superior a 900 mm sobre el suelo y que tengan platos giratorios desmontables. Pero esto no se aplica a los electrodomésticos con puerta con bisagra inferior horizontal).
- La superficie de un cajón de almacenamiento se puede calentar.
- No utilice limpiadores abrasivos o raspadores metálicos afilados para limpiar el cristal de la puerta del horno, ya que pueden rayar la superficie, lo que podría provocar la rotura del cristal.

- **ADVERTENCIA:** El electrodoméstico y sus partes accesibles se calientan durante el uso. Debe prestarse atención para no tocar los elementos calientes. Los niños menores de 8 años deben mantenerse alejados del electrodoméstico, a menos que estén constantemente vigilados.
- Durante y después del uso, el aparato se calienta. Procure no tocar la resistencia interna del horno.
- **ADVERTENCIA:** Las partes accesibles pueden calentarse durante y después del uso. Los niños pequeños deben mantenerse alejados de este electrodoméstico.
- **ADVERTENCIA:** Cuando el electrodoméstico funciona en el modo combinado, los niños solo deben usar el horno bajo supervisión de un adulto debido a las temperaturas generadas.

INSTALACIÓN DE LA TOMA DE TIERRA PARA REDUCIR EL RIESGO DE LESIONES A LAS PERSONAS PELIGRO

- Peligro de descarga eléctrica
- Tocar algunos de los componentes internos puede causar graves lesiones personales o la muerte. No desmonte este aparato.

ADVERTENCIA

- Peligro de descarga eléctrica
- El uso inadecuado de la toma de tierra puede provocar una descarga eléctrica. No lo enchufe en una toma de corriente hasta que el aparato esté correctamente instalado y conectado a tierra.

- Este electrodoméstico debe ser puesto a tierra. En el caso de un cortocircuito eléctrico, la conexión a tierra reduce el riesgo de descarga eléctrica al proporcionar un cable de fuga para la corriente eléctrica.
- Este electrodoméstico está equipado con un cable con un conductor de puesta a tierra del equipo y el enchufe correspondiente. El enchufe debe conectarse a una toma de corriente correctamente instalada y con puesta a tierra.
- Consulte a un electricista o técnico cualificado si las instrucciones de conexión a tierra no se entienden completamente o si existen dudas sobre si el aparato está correctamente conectado a tierra.
- Si es necesario utilizar un cable alargador, utilice solo un cable de 3 hilos.
 - Se proporciona un cable de alimentación corto para reducir los riesgos que se producen al enredarse o tropezar con un cable más largo.
 - Si se utiliza un juego de cables largos o un alargador:
 - La capacidad eléctrica indicada del cable o alargador debe ser como mínimo igual a la capacidad eléctrica del aparato.
 - El cable alargador debe ser un cable de 3 hilos con conexión a tierra.
 - El cable largo debe colocarse de forma que no cuelgue sobre la encimera o el tablero de la mesa, donde los niños puedan tirar de él o tropezar con él involuntariamente.

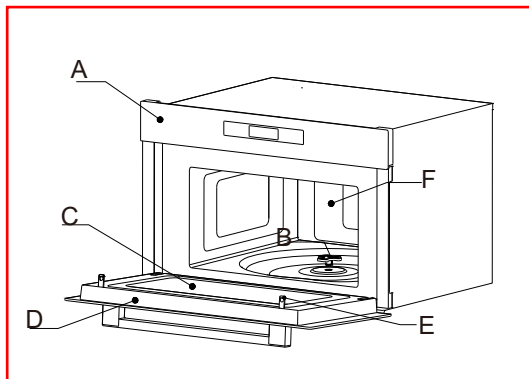
Materiales que se pueden utilizar en el horno microondas

Utensilios	Observaciones
Plato para dorar	Siga las instrucciones del fabricante. El fondo del plato para dorar debe quedar de al menos 3/16 pulgadas (5 mm) por encima del plato giratorio. El uso incorrecto puede causar que el plato giratorio se rompa.
Vajilla	Solo apto para microondas. Siga las instrucciones del fabricante. No utilice platos agrietados o astillados.
Frascos de vidrio	Quite siempre la tapa. Utilícelos sólo para calentar ligeramente los alimentos. La mayoría de los frascos de vidrio no son resistentes al calor y pueden romperse.
Cristalería	Sólo cristalería de horno resistente al calor. Asegúrese de que no tengan adornos metálicos. No utilice platos agrietados o astillados.
Bolsas de cocción para el horno	Siga las instrucciones del fabricante. No las cierre con bridas metálicas. Abra hendiduras para permitir que salga el vapor.
Platos y tazas de papel	Utilícelas solo para cocinar/calentar durante un breve periodo de tiempo. No deje el horno sin vigilancia mientras cocina.
Servilletas de papel	Utilizar para cubrir los alimentos para recalentarlos y absorber la grasa. Utilizar con supervisión sólo para una cocción de corta duración.
Papel de pergamino	Utilícelo a modo de tapa para evitar salpicaduras o como envoltorio para cocinar al vapor.
Plástico	Solo apto para microondas. Siga las instrucciones del fabricante. Debe estar etiquetado como «Seguro para microondas». Algunos recipientes de plástico se reblandecen al calentarse los alimentos de su interior. En las «bolsas de ebullición» y en las bolsas de plástico cerradas herméticamente se deben hacer cortes, perforaciones o aberturas de ventilación según las indicaciones del envase.
Envoltorio de plástico	Solo apto para microondas. Utilizar para cubrir los alimentos durante la cocción para retener la humedad. No permita que el envoltorio de plástico toque los alimentos.
Termómetros	Sólo aptos para microondas (termómetros para carne y caramelo).
Papel de cera	Utilizar a modo de tapa para evitar las salpicaduras y retener la humedad.

Materiales que deben evitarse en el horno microondas

Utensilios	Observaciones
Bandeja de aluminio	Puede provocar un arco eléctrico. Cambie los alimentos a un plato apto para microondas.
Envase de cartón para alimentos con asa metálica	Puede provocar un arco eléctrico. Cambie los alimentos a un plato apto para microondas.
Utensilios de metal o con adornos metálicos	El metal protege los alimentos de la energía de las microondas. Los adornos metálicos pueden provocar la formación de arcos eléctricos.
Bridas de metal	Puede provocar un arco eléctrico y causar fuego en el horno.
Bolsas de papel	Puede provocar fuego en el horno.
Espuma plástica	La espuma plástica puede derretirse o contaminar el líquido interior cuando se expone a altas temperaturas.
Madera	Al utilizarla en el horno microondas, la madera se seca y puede partirse o agrietarse.

Descripción del producto

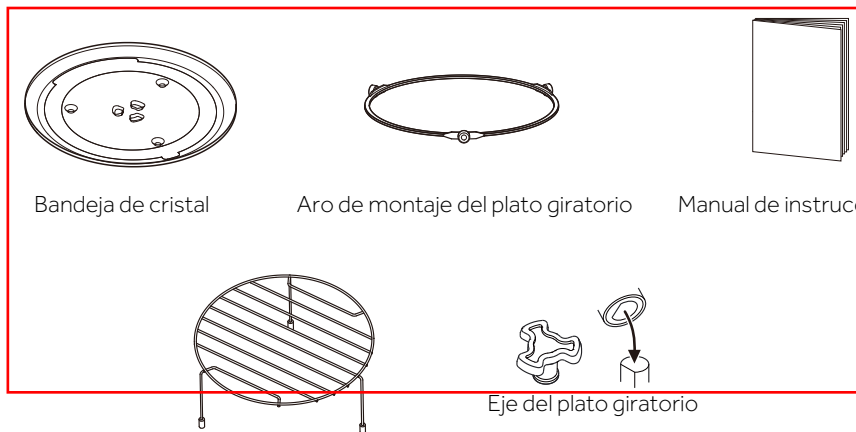


- A) Panel de control
- B) Eje del plato giratorio
- C) Ventana de la puerta
- D) Puerta
- E) Sistema de cierre de seguridad
- F) Cavity del horno



ACCESORIOS

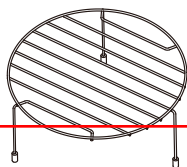
Saque el horno y todos los materiales de la caja y de la cavity de cocción del horno. Su horno incluye los siguientes accesorios:



Bandeja de cristal

Aro de montaje del plato giratorio

Manual de instrucciones

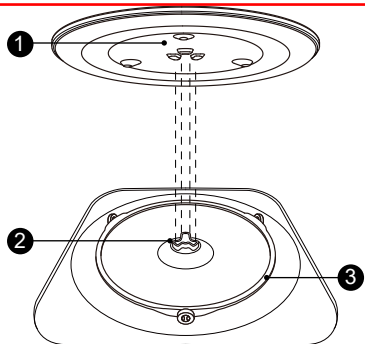


Eje del plato giratorio

Bandeja de rejilla superior. (Para cocinar a la parrilla, por ejemplo, filetes, salchichas y para tostar pan. Como soporte para platos poco profundos).

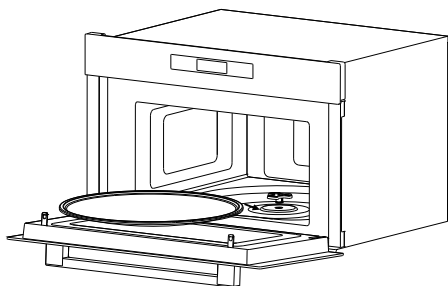
INSTALACIÓN DEL PLATO GIRATORIO

Limpieza del compartimento de cocción y colocación del plato giratorio. Para instalaciones nuevas, asegúrese de que se ha retirado todo el embalaje y la cinta de transporte del eje de la plataforma giratoria. Antes de utilizar el aparato para preparar alimentos por primera vez, deberá colocar correctamente el plato giratorio. Debe limpiar el compartimento de cocción y los accesorios.



Cómo colocar el plato giratorio:

1. Coloque el conjunto del aro giratorio (3) en el hueco del compartimento de cocción.
2. Coloque la bandeja de cristal (1) sobre el conjunto del anillo giratorio (3). Encaje las líneas curvas en relieve en el centro del fondo de la bandeja de cristal, entre los tres radios del eje. Asegúrese de que la bandeja de cristal (1) encaje en el eje del plato giratorio (2) en el centro del suelo del compartimento de cocción. Los rodillos del eje deben encajar dentro del reborde inferior del plato giratorio.




Nota:

1. No utilice nunca el aparato sin el plato giratorio. Asegúrese de que está bien encajado. El plato giratorio puede girar en sentido horario o antihorario.
2. No coloque nunca la bandeja de cristal boca abajo. La bandeja de cristal nunca debe quedar atascada.
3. Tanto la bandeja de cristal como el aro de montaje del plato giratorio deben utilizarse siempre durante la cocción.
4. Algunos alimentos y recipientes de comida deben colocarse siempre en la bandeja de cristal para cocinar.
5. Nunca restrinja el movimiento del plato giratorio.
6. Si la bandeja de cristal o el aro de montaje del plato giratorio se agrietan o se rompen, póngase en contacto con el servicio técnico autorizado más cercano.

Cómo funciona este producto

PANEL DE CONTROL



Símbolo	Función
	Microondas
	Función
	Reloj/Temporizador de cocina
	Menú Auto
	Bloquear/Cancelar
	Inicio/+30Seg./Confirmar

Uso del electrodoméstico

FUNCIONAMIENTO

Nombre	Descripción												
Configuración del reloj	<ol style="list-style-type: none"> (1) Pulse "Reloj/Temporizador de cocina" una vez y aparecerá "00:00". (2) Mueva el control deslizante o pulse "+" o "-" para ajustar las cifras de las horas. El tiempo debe estar entre 0-23. (3) Pulse "Reloj/Temporizador de cocina" para confirmar. (4) Mueva el control deslizante o pulse "+" o "-" para ajustar las cifras de los minutos. El tiempo debe estar entre 0-59. (5) Pulse "Reloj/Temporizador de cocina" para confirmar. 												
Temporizador de cocina	<ol style="list-style-type: none"> (1) Pulse dos veces "Reloj/Temporizador de cocina" y aparecerá "00:00". (2) Mueva el control deslizante o pulse "+" o "-" para ajustar la hora. La hora debe estar dentro de 0:05 ~ 95:00. (3) Pulse "Inicio/+30Seg./Confirmar" para confirmar. 												
Microondas	<table border="1" data-bbox="350 815 956 874"> <thead> <tr> <th>Nivel de potencia</th> <th>100%</th> <th>80%</th> <th>50%</th> <th>30%</th> <th>10%</th> </tr> </thead> <tbody> <tr> <td>Pantalla</td> <td>P10</td> <td>P8</td> <td>P5</td> <td>P3</td> <td>P1</td> </tr> </tbody> </table> <ol style="list-style-type: none"> (1) En estado de espera, pulse "Microondas" y, a continuación, aparecerá "P10". (2) Pulse "Microondas" repetidamente para ajustar el nivel de potencia, hay 5 niveles de potencia disponibles. (3) Mueva el control deslizante o pulse "+" o "-" para ajustar el tiempo de cocción. (4) Pulse "Inicio/+30Seg./Confirmar" para iniciar la cocción. 	Nivel de potencia	100%	80%	50%	30%	10%	Pantalla	P10	P8	P5	P3	P1
Nivel de potencia	100%	80%	50%	30%	10%								
Pantalla	P10	P8	P5	P3	P1								
Grill	<ol style="list-style-type: none"> (1) Pulse "Función" una vez y aparecerá "G-1". (2) Mueva el control deslizante o pulse "+" o "-" para ajustar el tiempo de cocción. (3) Pulse "Inicio/+30Seg./Confirmar" para iniciar la cocción. <p data-bbox="350 1289 942 1396">Nota: Cuando la mitad del tiempo haya pasado, el zumbador sonará para recordarle girar los alimentos. Si no se realiza ninguna operación, el horno seguirá cocinando.</p>												

<p style="text-align: center;">Combi</p>	<p>(1) Pulse "Función" una vez y aparecerá "G-1". Pulse "Función" repetidamente para elegir la potencia deseada, y "C-1", "C-2" se mostrarán en orden.</p> <p>(2) Mueva el control deslizante o pulse "+" o "-" para ajustar el tiempo de cocción.</p> <p>(3) Pulse "Inicio/+30Seg./Confirmar" para iniciar la cocción.</p> <p>Nota: Instrucciones combinadas</p> <table border="1" style="width: 100%; border-collapse: collapse;"> <thead> <tr> <th style="width: 25%;">Instrucciones</th> <th style="width: 25%;">Pantalla</th> <th style="width: 25%;">Microondas</th> <th style="width: 25%;">Grill</th> </tr> </thead> <tbody> <tr> <td style="text-align: center;">1</td> <td style="text-align: center;">C-1</td> <td style="text-align: center;">55%</td> <td style="text-align: center;">45%</td> </tr> <tr> <td style="text-align: center;">2</td> <td style="text-align: center;">C-2</td> <td style="text-align: center;">36%</td> <td style="text-align: center;">64%</td> </tr> </tbody> </table>	Instrucciones	Pantalla	Microondas	Grill	1	C-1	55%	45%	2	C-2	36%	64%
Instrucciones	Pantalla	Microondas	Grill										
1	C-1	55%	45%										
2	C-2	36%	64%										
<p style="text-align: center;">Descongelación por peso</p>	<p>(1) Pulse "Función" dos veces y la pantalla mostrará "0,1 kg".</p> <p>(2) Mueva el control deslizante o pulse "+" o "-" para ajustar el peso. Debe estar entre 100 y 2000 g.</p> <p>(3) Pulse "Inicio/+30Seg./Confirmar" para iniciar la descongelación.</p>												
<p style="text-align: center;">Descongelación por tiempo</p>	<p>(1) Pulse "Función" tres veces y la pantalla mostrará "1:00".</p> <p>(2) Mueva el control deslizante o pulse "+" o "-" para ajustar la hora.</p> <p>(3) Pulse "Inicio/+30Seg./Confirmar" para iniciar la descongelación.</p> <p>Nota: Cuando haya transcurrido la mitad del tiempo de descongelación, sonará el zumbador, dé la vuelta a los alimentos. Si no se realiza ninguna operación, el horno seguirá cocinando.</p>												
<p style="text-align: center;">Cocción rápida</p>	<p>(1) En estado de espera, pulse "Inicio/+30Seg./Confirmar" para cocinar los alimentos con un nivel de potencia del 100% durante 30 segundos. Cada pulsación de la misma tecla puede aumentar el tiempo en 30 segundos; el valor máximo de tiempo es de 95 minutos.</p> <p>Nota: La cocción rápida no puede ajustarse en descongelación por peso, multietapa y menú automático.</p>												

<p>Función de bloqueo para niños</p>	<p>Puede utilizar esta función para evitar que los niños enciendan accidentalmente el horno. Para activar la cerradura: En estado de espera, mantenga pulsado "Bloquear/Cancelar" durante tres segundos. Sonará un pitido largo y aparecerá el icono de bloqueo. Para desactivar el bloqueo: En estado bloqueado, mantenga pulsado "Bloquear/Cancelar" durante tres segundos. Suenan un pitido largo.</p>
<p>Función de consulta</p>	<p>(1) Si se ha ajustado el reloj, la hora actual se mostrará durante tres segundos pulsando "Reloj/Temporizador de cocina" en el estado de cocción.</p>
<p>Menú Auto</p>	<p>(1) En estado de espera, pulse "Menú Auto", la pantalla mostrará "A-1". (2) Pulse "Menú Auto" repetidamente para elegir el menú que necesite. Hay 8 menús automáticos disponibles. (3) Mueva el control deslizante o pulse "+" o "-" para ajustar el peso del alimento. (4) Pulse "Inicio/+30Seg./Confirmar" para iniciar la cocción.</p>

TABLA DE MENÚ AUTO

Menú	Peso (g)	Pantalla	Potencia
A-1 PATATA	1 (unos 230 g)	1	P100
	2 (unos 460 g)	2	
	3 (unos 690 g)	3	
A-2 CARNE	150 g	150 g	P80
	300 g	300 g	
	450 g	450 g	
	600 g	600 g	
A-3 PESCADO	150 g	150 g	P80
	250 g	250 g	
	350 g	350 g	
	450 g	450 g	
	650 g	650 g	
A-4 VERDURA	150 g	150 g	P100
	350 g	350 g	
	500 g	500 g	
A-5 BEBIDAS	1 taza (240 g)	1	P100
	2 tazas (480 g)	2	
	3 tazas (720 g)	3	
A-6 PASTA	50 g (agua fría 450 g)	50 g	P80
	100 g (agua fría 800 g)	100 g	
	150 g (agua fría 1200 g)	150 g	
A-7 PALOMITAS	100 g	100 g	P100
A-8 PIZZA	200 g	200 g	P100+G-1
	400 g	400 g	



Limpieza y mantenimiento

Asegúrese de desenchufar el aparato de la red eléctrica.

1. Tras el uso, limpie la cavidad de cocinado del horno con un paño ligeramente húmedo.
2. Limpie los accesorios de la forma habitual con agua y jabón.
3. El marco y la junta de la puerta, así como las piezas adyacentes, deben limpiarse bien con un paño húmedo si están sucios.
4. No utilice limpiadores abrasivos o raspadores metálicos afilados para limpiar el cristal de la puerta del horno, ya que pueden rayar la superficie, lo que podría provocar la rotura del cristal.
5. Consejo de limpieza---Para facilitar la limpieza de las paredes de la cavidad que pueden tocar los alimentos cocinados: Ponga medio limón en un bol, añada 300 ml de agua (1/2 pinta) y caliéntelo al 100% de potencia en el microondas durante 10 minutos. Limpie el horno con un paño suave y seco.

Eliminación y protección del medio ambiente

RESOLUCIÓN DE PROBLEMAS

Normal	
El horno microondas interfiere en la recepción de la televisión	La recepción de radio y televisión puede verse afectada cuando el horno microondas está en funcionamiento. Se trata de una interferencia similar a la que causan los pequeños electrodomésticos, como la batidora, la aspiradora y el ventilador eléctrico. Se trata de algo normal.
Luz del horno tenue	En la cocción con el horno microondas a baja potencia, es posible que la luz del horno se atenúe. Se trata de algo normal.
Acumulación de vapor en la puerta, salida de aire caliente por las rejillas de ventilación	Al cocinar, puede salir vapor de los alimentos. La mayoría del vapor sale por las rejillas de ventilación. Pero puede acumularse algo de vapor en un lugar más frío, como la puerta del horno. Se trata de algo normal.
El horno se pone en marcha accidentalmente sin comida dentro.	Queda prohibido hacer funcionar la unidad sin ningún alimento en su interior. Es muy peligroso.

Problema	Causa posible	Solución
No se puede arrancar el horno.	(1) El cable de alimentación no está bien enchufado.	Desenchúfelo. Vuelva a enchufarlo transcurridos 10 segundos.
	(2) Salta el fusible o el disyuntor del circuito.	Sustituya el fusible o restablezca el disyuntor de circuito (reparado por personal profesional de nuestra empresa)
	(3) Problemas con la toma de corriente.	Pruebe la toma de corriente con otros aparatos eléctricos.
El horno no calienta.	(4) La puerta no está bien cerrada.	Cierre bien la puerta.



Según la directiva sobre residuos de aparatos eléctricos y electrónicos (RAEE), los RAEE deben recogerse y tratarse por separado. Si en cualquier momento en el futuro necesita eliminar este producto, no lo deseche con la basura doméstica. Envíe este producto a puntos de recogida de RAEE allí donde estén disponibles.

Instalación

INSTALACIÓN Y CONEXIÓN

1. Este aparato está destinado exclusivamente al uso en el ámbito doméstico.
2. Este horno está diseñado únicamente para ser encastrado. No ha sido diseñado para utilizarse en la encimera ni en el interior de un armario.
3. Observe y siga las instrucciones especiales para la instalación.
4. El electrodoméstico puede instalarse en un armario de pared de 60 cm de ancho.
5. Este electrodoméstico está equipado con una clavija y solo debe conectarse a un enchufe con toma de tierra debidamente instalado.
6. La tensión de la red debe corresponder a la especificada en la placa de características.
7. Tanto la instalación de la toma de corriente como la sustitución del cable de conexión deben ser realizadas únicamente por un electricista cualificado. Si después de la instalación ya no se puede acceder al enchufe, debe disponerse de un dispositivo de desconexión de todos los polos en el lado de la instalación con una distancia de contacto de al menos 3 mm.
8. No se deben utilizar adaptadores, regletas multivías y cables prolongadores. La sobrecarga puede provocar un riesgo de incendio.

La superficie que queda accesible puede calentarse durante y después del funcionamiento.



HORNO ENCASTRABLE

Modelo: **HWO38MG2BHXBD / HWO38MG2IHXB**

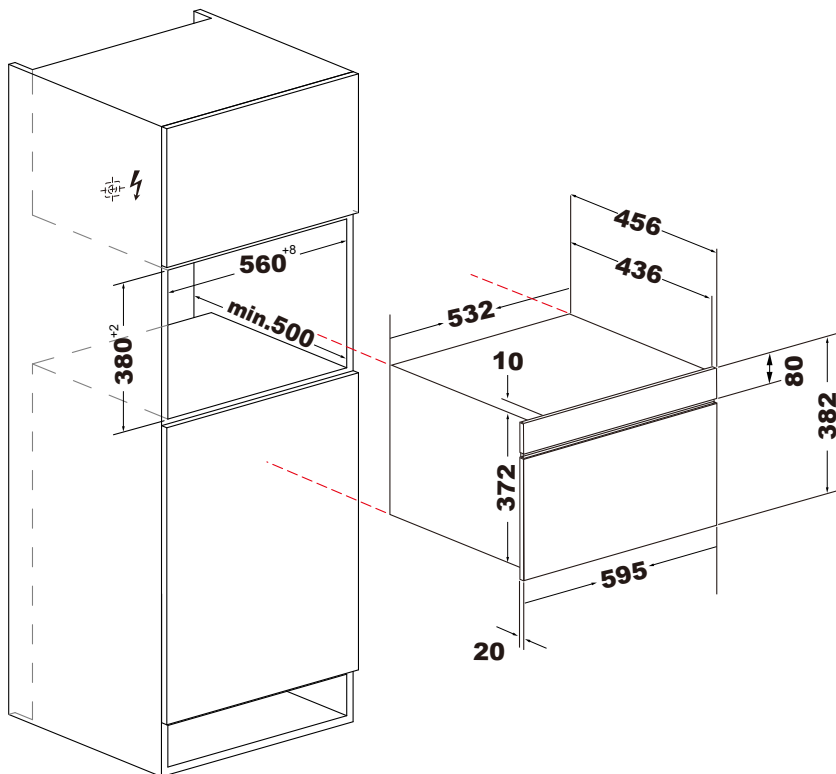
INSTALACIÓN

Las dimensiones adjuntas están en mm.

Los muebles en los que se instale el aparato deben ser resistentes al calor hasta 95 °C.

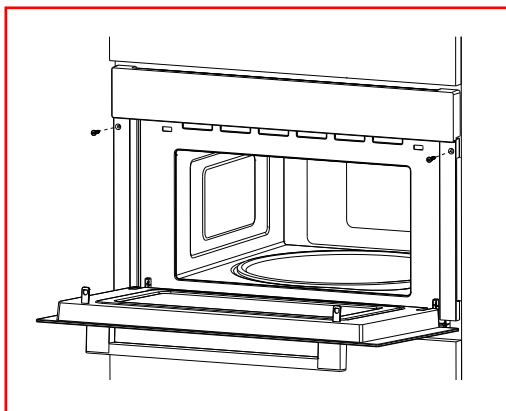
La altura mínima de instalación es de 850 mm.

No lo utilice bajo la superficie de trabajo y no vierta del recipiente sobre la superficie donde está instalado el equipo.



Instalación

- No sujete ni transporte el aparato por el asa de la puerta. El asa de la puerta no soporta el peso del aparato y puede romperse.
1. Introduzca con cuidado el microondas en la caja, procurando que quede en el centro.
 2. Abra la puerta y fije el microondas con los tornillos suministrados.



- Introduzca completamente el aparato y céntrelo.
- No retuerza el cable de conexión.
- Atornille el aparato en su sitio.

Información importante con enchufe

Conexión eléctrica

Este electrodoméstico está equipado con una clavija y solo debe conectarse a un enchufe con toma de tierra debidamente instalado. Solo un electricista cualificado que tenga en cuenta las normas aplicables puede instalar el enchufe o reemplazar el cable de conexión. Si después de la instalación ya no se puede acceder al enchufe, debe disponerse de un interruptor de aislamiento omnipolar en el lado de la instalación con una separación de contactos de al menos 3 mm.

La instalación debe garantizar la protección ante el contacto.

Protección del fusible: vea las instrucciones de uso y los datos técnicos.

Información importante sin enchufe

El aparato está diseñado para ser instalado permanentemente con un cable de alimentación de tres clavijas y solo puede ser conectado por un experto autorizado de acuerdo con el diagrama de conexión.

Solo un electricista cualificado que tenga en cuenta la normativa vigente puede sustituir el cable de alimentación. No utilice enchufes múltiples, regletas o prolongadores. La sobrecarga provoca riesgo de incendio.

Si la conexión ya no es accesible después de la instalación, debe preverse un interruptor de aislamiento de todos los polos con una distancia entre contactos de al menos 3 mm.

Conecte los hilos del cable de alimentación de acuerdo con la siguiente codificación de colores:

Verde y amarillo Cable de tierra < (E)

Azul Cable neutro (N)

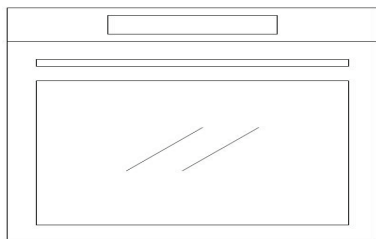
Marrón Directo (L)

Gran Bretaña y Australia:

No conecte el aparato con un enchufe de 13 A ni lo proteja con un fusible de 13 A. El aparato debe protegerse con un fusible de 16 A o superior. El aparato debe desconectarse de la red eléctrica durante todos los trabajos de instalación. Al instalar el aparato, debe preverse una protección contra contactos accidentales para el futuro.

Haier

Manuel d'utilisation



CANDY HOOVER GROUP – Via Comolli 16, Brugherio – Italie

Table des matières

93	Consignes de sécurité importantes
100	Description du produit
102	Fonctionnement du produit
103	Utilisation de l'appareil
107	Nettoyage et entretien
108	Protection de l'environnement et élimination
109	Installation

Cher client,
Nous vous remercions et nous vous félicitons de votre choix. Ce nouveau produit a été soigneusement conçu et construit à l'aide de matériaux de grande qualité et a été testé minutieusement pour s'assurer qu'il répond à toutes vos exigences culinaires.

Veillez lire et observer ces simples instructions, qui vous permettront d'obtenir d'excellents résultats dès la première utilisation. Cet appareil de pointe est accompagné de nos meilleurs souhaits.

Consignes de sécurité importantes



PRÉCAUTIONS À PRENDRE POUR ÉVITER TOUTE EXPOSITION POSSIBLE À UNE ÉNERGIE EXCESSIVE DES MICRO-ONDES

- N'essayez pas de faire fonctionner ce four avec la porte ouverte, car cela peut entraîner une exposition nocive à l'énergie micro-ondes. Il est important de ne pas casser ou modifier les dispositifs de verrouillage de sécurité.
- Ne placez aucun objet entre la face avant du four et la porte et ne laissez aucun résidu de saleté ou de détergent s'accumuler sur les surfaces d'étanchéité.
- **AVERTISSEMENT** : Si la porte ou les joints de porte sont endommagés, le four ne doit pas être utilisé tant qu'il n'a pas été réparé par une personne compétente.

AVERTISSEMENT CONCERNANT LES CONSIGNES DE SÉCURITÉ IMPORTANTES

Pour réduire les risques d'incendie, de choc électrique, de blessures ou d'exposition à une énergie excessive du four à micro-ondes lors de l'utilisation de votre appareil, suivez les précautions de base, y compris celles qui suivent :

- Lisez et respectez les instructions spécifiques :
« PRÉCAUTIONS À PRENDRE POUR ÉVITER TOUTE EXPOSITION POSSIBLE À UNE ÉNERGIE MICRO-ONDES EXCESSIVE »

- Cet appareil peut être utilisé par des enfants âgés de 8 ans et plus et par des personnes ayant des capacités physiques, sensorielles ou mentales réduites, ou connaissant mal l'appareil, s'ils bénéficient d'une surveillance ou reçoivent des instructions concernant l'utilisation de l'appareil de manière sûre et qu'ils comprennent les risques encourus. Les enfants ne doivent pas jouer avec l'appareil. Le nettoyage et l'entretien ne doivent pas être effectués par des enfants sans surveillance.
- Gardez l'appareil et son cordon hors de portée des enfants de moins de 8 ans.
- Si le cordon d'alimentation est endommagé, faites-le remplacer par le fabricant, le service après-vente ou un électricien qualifié pour éviter tout risque d'accident.
- **AVERTISSEMENT** : vérifiez que l'appareil est éteint avant de changer l'ampoule, pour éviter tout risque d'électrocution.
- **AVERTISSEMENT** : il est dangereux pour toute personne autre qu'une personne compétente d'effectuer toute opération d'entretien ou de réparation impliquant l'enlèvement d'un couvercle qui protège contre l'exposition à l'énergie micro-ondes.
- **AVERTISSEMENT** : les liquides et aliments ne doivent pas être chauffés dans des contenants scellés, car ils sont susceptibles d'exploser.
- Lorsque vous chauffez des aliments dans des contenants en plastique ou en papier, gardez un œil sur le four en raison du risque d'inflammation.
- N'utilisez que des ustensiles adaptés à l'utilisation dans les fours à micro-ondes.

- En cas d'émission de fumée, éteignez ou débranchez l'appareil et gardez la porte fermée afin d'étouffer toute flamme.
- Le chauffage des boissons par micro-ondes peut retarder l'ébullition par éruption ; il faut donc être prudent lors de la manipulation du contenant.
- Le contenu des biberons et des pots d'aliments pour bébés doit être mélangé ou agité et la température vérifiée avant consommation, afin d'éviter les brûlures.
- Les œufs en coquille et les œufs durs entiers ne doivent pas être chauffés dans un four à micro-ondes, car ils peuvent exploser, même après la fin du chauffage au micro-ondes.
- Détails pour le nettoyage des joints de porte, cavités et pièces adjacentes.
- Le four doit être nettoyé régulièrement et tout dépôt de nourriture doit être enlevé.
- Le fait de ne pas conserver le four propre peut entraîner une détérioration de la surface qui pourrait nuire à la durée de vie de l'appareil et éventuellement entraîner une situation dangereuse.
- Utiliser uniquement la sonde de température recommandée pour ce four. (Pour les fours munis d'un dispositif permettant d'utiliser une sonde de mesure de la température.)
- Le four à micro-ondes doit fonctionner avec la porte décorative ouverte. (Pour les fours avec porte décorative.)
- Cet appareil est conçu pour être utilisé dans une habitation et pour des applications similaires telles que :

- coins-cuisine du personnel dans des magasins, bureaux et autres environnements de travail ;
 - par des clients dans des hôtels, motels et autres environnements de type résidentiel ;
 - habitations rurales ;
 - environnements de type chambres d'hôtes ou B&B.
- Le four à micro-ondes est destiné au chauffage des aliments et des boissons. Le séchage d'aliments ou de vêtements et le chauffage de coussins chauffants, de chaussons, d'éponges, de chiffons humides ou similaires peuvent entraîner un risque de blessure, d'inflammation ou d'incendie.
 - Les récipients métalliques pour aliments et boissons ne sont pas autorisés pendant la cuisson au micro-ondes.
 - L'appareil ne doit pas être nettoyé à l'aide d'un nettoyeur à vapeur.
 - L'appareil ne doit pas être installé derrière une porte décorative afin d'éviter toute surchauffe. (Cela ne s'applique pas aux appareils équipés d'une porte décorative.)
 - Ce four à micro-ondes est destiné à être encastré.
 - L'appareil doit être utilisé avec la porte d'armoire ouverte.
 - Veillez à ne pas déplacer le plateau tournant lorsque vous retirez les récipients de l'appareil. (Pour les appareils en pose libre et les appareils encastrables utilisés à une hauteur supérieure ou égale à 900 mm au-dessus du sol et munis de plateaux tournants amovibles. Toutefois, cela ne s'applique pas aux appareils munis d'une porte à charnières inférieures horizontales.)
 - La surface d'un éventuel tiroir de rangement peut devenir brûlante.

- N'utilisez pas de nettoyeurs abrasifs agressifs ni de racloirs en métal pointus pour nettoyer la vitre de la porte du four, car ils peuvent rayer la surface du verre et briser la vitre.
- **AVERTISSEMENT** : l'appareil et ses parties accessibles peuvent devenir brûlants au cours de l'utilisation. Il convient de faire attention à ne pas toucher les éléments de chauffage. Les enfants de moins de 8 ans doivent être tenus à l'écart à moins d'être surveillés constamment.
- Pendant et après l'utilisation, l'appareil devient chaud. Faites attention à ne pas toucher les éléments de chauffage à l'intérieur du four.
- **AVERTISSEMENT** : Les parties accessibles peuvent devenir chaudes pendant et après l'utilisation. Tenez les jeunes enfants à l'écart de l'appareil.
- **AVERTISSEMENT** : Lorsque l'appareil est utilisé en mode combiné, les enfants doivent uniquement utiliser le four sous la surveillance d'un adulte en raison des températures générées.

POUR RÉDUIRE LES RISQUES DE BLESSURES AUX PERSONNES METTANT L'INSTALLATION À LA TERRE DANGER

- Risque de choc électrique
- Toucher certains des composants internes peut causer des blessures graves, voire mortelles. Ne démontez pas cet appareil.

AVERTISSEMENT

- Risque de choc électrique

- Toute utilisation impropre de la mise à la terre vous expose à un risque d'électrocution. Ne branchez pas l'appareil à une prise de courant avant qu'il ne soit correctement installé et mis à la terre.
- Cet appareil doit être mis à la terre. En cas de court-circuit électrique, la mise à la terre réduit le risque de choc électrique en fournissant un câble d'évacuation du courant électrique.
- Cet appareil est équipé d'un cordon muni d'un câble de mise à la terre doté d'une fiche de mise à la terre. La fiche doit être branchée sur une prise correctement installée et mise à la terre.
- Consultez un électricien ou un technicien qualifié si vous ne comprenez pas totalement les instructions de mise à la terre ou s'il existe un doute quant à la mise à la terre correcte de l'appareil.
- S'il est nécessaire d'utiliser une rallonge, utilisez uniquement une rallonge à 3 fils.
 - Un cordon d'alimentation court est fourni pour réduire les risques de s'emmêler ou de trébucher sur un cordon plus long.
 - Si un ensemble de cordons long ou une rallonge est utilisé(e) :
 - La puissance électrique marquée de l'ensemble de cordons ou de la rallonge doit être au moins aussi élevée que la puissance électrique de l'appareil.
 - La rallonge doit être un cordon à 3 fils de type mise à la terre.
 - Le long cordon doit être disposé de façon à ne pas s'enrouler sur le comptoir ou sur le dessus de la table, afin que les enfants ne puissent pas tirer dessus et qu'il ne puisse pas causer de chutes.

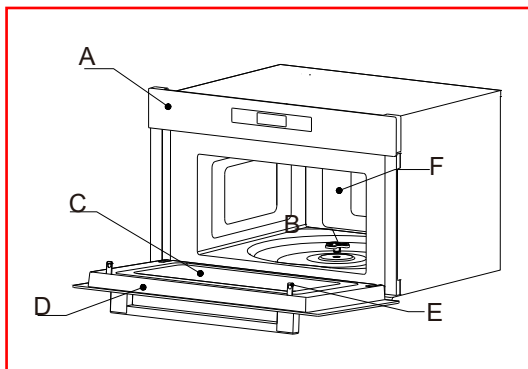
Matériaux que vous pouvez utiliser dans un four à micro-ondes

Ustensiles	Remarques
Plat brunisseur	Suivez les instructions du fabricant. Le fond du plat brunisseur doit être à au moins 5 mm (3/16 po) au-dessus de la plaque tournante. Une utilisation incorrecte peut entraîner la rupture de la plaque tournante.
Vaisselle de table	Uniquement si compatible micro-ondes. Suivez les instructions du fabricant. N'utilisez pas de vaisselle craquelée ou ébréchée.
Bocaux en verre	Ôtez toujours le couvercle. À n'utiliser que pour réchauffer les aliments jusqu'à ce qu'ils soient chauds. La plupart des bocaux en verre ne sont pas résistants à la chaleur et peuvent se briser.
Verres	Verres résistants à la chaleur uniquement. Assurez-vous de l'absence de garniture métallique. N'utilisez pas de vaisselle craquelée ou ébréchée.
Sacs de cuisson au four	Suivez les instructions du fabricant. Ne fermez pas avec une attache métallique. Faites des fentes pour permettre à la vapeur de s'échapper.
Assiettes et gobelets en papier	Utilisez-les uniquement pour la cuisson/le réchauffement rapide. Ne laissez pas le four sans surveillance pendant la cuisson.
Essuie-mains en papier	Utilisez-le pour couvrir les aliments afin de les réchauffer et d'absorber les graisses. Utilisez-le sous surveillance pour une cuisson de courte durée seulement.
Papier sulfurisé	Utilisez-le comme couvercle pour éviter les éclaboussures ou comme emballage pour la cuisson à la vapeur.
Plastique	Uniquement si compatible micro-ondes. Suivez les instructions du fabricant. Doit porter la mention « Compatible micro-ondes ». Certains contenants en plastique s'assouplissent lorsque la nourriture à l'intérieur devient chaude. Les « sachets cuisson » et les sacs en plastique hermétiquement fermés doivent être fendus, percés ou ventilés selon les directives de l'emballage.
Film plastique	Uniquement si compatible micro-ondes. À utiliser pour couvrir les aliments pendant la cuisson afin de retenir l'humidité. Ne laissez pas le film plastique toucher les aliments.
Thermomètres	Seulement si compatibles micro-ondes (thermomètres à viande et à bonbons).
Papier paraffiné	À utiliser comme protection pour éviter les éclaboussures et retenir l'humidité.

Matières à éviter dans le four à micro-ondes

Ustensiles	Remarques
Plateau en aluminium	Peut provoquer des arcs électriques. Transférez les aliments dans un plat adapté pour le micro-ondes.
Carton alimentaire avec poignée en métal	Peut provoquer des arcs électriques. Transférez les aliments dans un plat adapté pour le micro-ondes.
Ustensiles en métal ou à garniture métallique	Le métal protège les aliments de l'énergie des micro-ondes. Les garnitures métalliques peuvent causer des arcs électriques.
Attaches en métal	Risque de formation d'arcs électriques et d'incendie dans le four.
Sacs en papier	Peuvent causer un incendie dans le four.
Mousse plastique	La mousse plastique peut fondre ou contaminer le liquide à l'intérieur lorsqu'elle est exposée à des températures élevées.
Bois	Le bois se dessèche lorsqu'il est utilisé dans le four à micro-ondes et peut se fendre ou se briser.

Description du produit



- A) Panneau de commande
- B) Axe du plateau tournant
- C) Fenêtre d'observation
- D) Ensemble porte
- E) Système de verrouillage de sécurité
- F) Cavité du four



ACCESSOIRES

Enlevez le four et tous les matériaux du carton et de la cavité du four.
Votre four est livré avec les accessoires suivants :



Plateau en verre

Anneau du plateau tournant

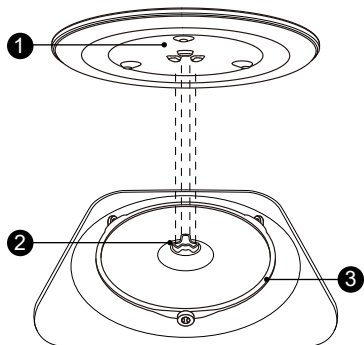
Manuel d'instructions

Axe du plateau tournant

Grille haute. (Pour griller, par exemple des steaks, des saucisses et pour faire griller du pain. Comme support pour les plats peu profonds).

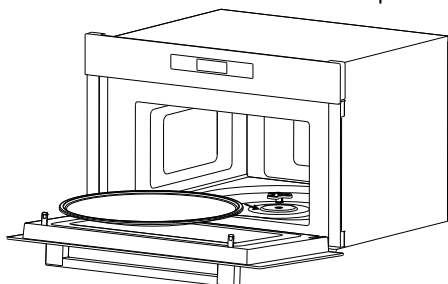
INSTALLATION DU PLATEAU TOURNANT

Nettoyage du compartiment de cuisson et mise en place du plateau tournant. Pour les nouvelles installations, assurez-vous que tous les emballages et le ruban d'expédition ont été retirés de l'arbre de plateau tournant. Avant d'utiliser l'appareil pour préparer des aliments pour la première fois, vous devez mettre le plateau tournant correctement en place. Vous devez nettoyer le compartiment de cuisson et les accessoires.



Comment mettre le plateau tournant en place :

1. Placez l'anneau du plateau tournant (3) dans son emplacement à l'intérieur du compartiment de cuisson.
2. Placez le plateau en verre (1) sur l'anneau du plateau tournant (3). Placez les lignes courbes en relief au centre du fond du plateau en verre entre les trois rayons de l'arbre. Assurez-vous que le plateau en verre (1) s'engage dans l'arbre du plateau tournant (2) au centre du plancher du compartiment de cuisson. Les galets de l'arbre doivent s'insérer dans l'arête inférieure du plateau.









Remarque :

1. N'utilisez jamais l'appareil sans le plateau tournant. Assurez-vous qu'il est correctement engagé. Le plateau tournant peut tourner dans le sens des aiguilles d'une montre ou dans le sens inverse.
2. Ne placez jamais le plateau en verre à l'envers. Le plateau en verre ne doit jamais être bloqué.
3. Le plateau en verre et son anneau doivent toujours être utilisés pendant la cuisson.
4. La nourriture et les contenants alimentaires doivent toujours être placés sur le plateau en verre pour la cuisson.
5. Ne limitez jamais le mouvement du plateau tournant.
6. Si le plateau en verre ou l'anneau se fend ou se brise, contactez le SAV agréé le plus proche.

Fonctionnement du produit

PANNEAU DE COMMANDE



Symbole	Fonction
	Micro-ondes
	Fonction
	Horloge/Minuterie de cuisine
	Menu Auto
	Verrouillage/annulation
	Démarrage/+30 s/Confirmation

Utilisation de l'appareil

FONCTIONNEMENT

Nom	Description												
<p align="center">Réglage de l'horloge</p>	<ol style="list-style-type: none"> (1) Appuyez une fois sur « Horloge/Minuterie de cuisine » et « 00:00 » s'affiche. (2) Déplacez le curseur ou appuyez sur « + » ou « - » pour régler les chiffres des heures. Le temps doit être compris entre 0 et 23. (3) Appuyez sur « Horloge/Minuterie de cuisine » pour confirmer. (4) Déplacez le curseur ou appuyez sur « + » ou « - » pour régler les chiffres des minutes. Le temps doit être compris entre 0 et 59. (5) Appuyez sur « Horloge/Minuterie de cuisine » pour confirmer. 												
<p align="center">Minuterie</p>	<ol style="list-style-type: none"> (1) Appuyez deux fois sur « Horloge/Minuterie de cuisine », puis « 00:00 » s'affiche. (2) Déplacez le curseur ou appuyez sur « + » ou « - » pour régler le temps. Le temps doit être compris entre 0:05~95:00. (3) Appuyez sur « Démarrage/+30 s/Confirmation » pour confirmer. 												
<p align="center">Micro-ondes</p>	<table border="1" data-bbox="398 874 972 927"> <thead> <tr> <th>Niveau de puissance</th> <th>100 %</th> <th>80 %</th> <th>50 %</th> <th>30 %</th> <th>10 %</th> </tr> </thead> <tbody> <tr> <td>Affichage</td> <td>P10</td> <td>P8</td> <td>P5</td> <td>P3</td> <td>P1</td> </tr> </tbody> </table> <ol style="list-style-type: none"> (1) En état d'attente, appuyez sur « Micro-ondes », puis « P10 » s'affichera. (2) Appuyez plusieurs fois sur « Micro-ondes » pour régler le niveau de puissance. 5 niveaux de puissance sont disponibles. (3) Déplacez le curseur ou appuyez sur « + » ou « - » pour régler le temps de cuisson. (4) Appuyez sur « Démarrage/+30 s/Confirmation » pour démarrer la cuisson. 	Niveau de puissance	100 %	80 %	50 %	30 %	10 %	Affichage	P10	P8	P5	P3	P1
Niveau de puissance	100 %	80 %	50 %	30 %	10 %								
Affichage	P10	P8	P5	P3	P1								
<p align="center">Gril</p>	<ol style="list-style-type: none"> (1) Appuyez une fois sur « Fonction », puis « G-1 » s'affiche. (2) Déplacez le curseur ou appuyez sur « + » ou « - » pour régler le temps de cuisson. (3) Appuyez sur « Démarrage/+30 s/Confirmation » pour démarrer la cuisson. <p>Remarque : A mi-cuisson, le signal sonore retentit pour vous rappeler de retourner les aliments. Si aucune opération n'est effectuée, le four continue à fonctionner.</p>												

<p style="text-align: center;">Combinaison</p>	<p>(1) Appuyez une fois sur « Fonction », puis « G-1 » s'affiche. Appuyez plusieurs fois sur « Fonction » pour choisir la puissance que vous voulez, et « C-1 », « C-2 » <input type="text"/> s'affichent dans l'ordre.</p> <p>(2) Déplacez le curseur ou appuyez sur « + » ou « - » pour régler le temps de cuisson.</p> <p>(3) Appuyez sur « Démarrage/+30 s/Confirmation » pour démarrer la cuisson.</p> <p>Remarque : Instructions relatives à la cuisson combinée</p> <table border="1" style="width: 100%; border-collapse: collapse;"> <thead> <tr> <th style="width: 15%;">Instructions</th> <th style="width: 15%;">Affichage</th> <th style="width: 15%;">Micro-ondes</th> <th style="width: 15%;">Gril</th> <th style="width: 15%;"></th> </tr> </thead> <tbody> <tr> <td style="text-align: center;">1</td> <td style="text-align: center;">C-1</td> <td style="text-align: center;">55%</td> <td style="text-align: center;">45%</td> <td style="text-align: center;"><input type="text"/></td> </tr> <tr> <td style="text-align: center;">2</td> <td style="text-align: center;">C-2</td> <td style="text-align: center;">36%</td> <td style="text-align: center;">64%</td> <td></td> </tr> </tbody> </table>	Instructions	Affichage	Micro-ondes	Gril		1	C-1	55%	45%	<input type="text"/>	2	C-2	36%	64%	
Instructions	Affichage	Micro-ondes	Gril													
1	C-1	55%	45%	<input type="text"/>												
2	C-2	36%	64%													
<p style="text-align: center;">Décongélation en fonction du poids</p>	<p>(1) Appuyez deux fois sur la touche « Fonction », puis l'écran affiche « 0,1 kg ».</p> <p>(2) Déplacez le curseur ou appuyez sur « + » ou « - » pour régler le poids. Il doit être compris entre 100 et 2 000 g.</p> <p>(3) Appuyez sur la touche « Démarrage/+30 s/Confirmation » pour lancer la décongélation.</p>															
<p style="text-align: center;">Décongélation en fonction du temps</p>	<p>(1) Appuyez trois fois sur « Fonction », puis l'écran affiche « 1:00 ».</p> <p>(2) Déplacez le curseur ou appuyez sur « + » ou « - » pour régler le temps.</p> <p>(3) Appuyez sur la touche « Démarrage/+30 s/Confirmation » pour lancer la décongélation.</p> <p>Remarque : Lorsque la moitié du temps de décongélation est écoulée, le signal sonore retentit, retournez les aliments. Si aucune opération n'est effectuée, le four continue à fonctionner.</p>															
<p style="text-align: center;">Cuisson rapide</p>	<p>(1) En mode attente, appuyez sur « Démarrage/+30 s/Confirmation » pour cuire à 100 % de puissance pendant 30 secondes. Chaque pression sur la même touche permet d'augmenter de 30 secondes et la valeur maximale du temps est de 95 minutes.</p> <p>Remarque : La cuisson rapide ne peut pas être réglée dans le menu de décongélation en fonction du poids, multi-étapes et automatique.</p>															

<p>Sécurité enfants</p>	<p>Vous pouvez utiliser cette fonction pour empêcher les enfants d'allumer accidentellement le four. Pour activer la sécurité : En état d'attente, appuyez sur « Verrouillage/Annulation » pendant trois secondes. Un long bip sonore retentit et l'icône de verrouillage s'affiche. Pour désactiver la sécurité : En état de verrouillage, appuyez sur « Verrouillage/Annulation » pendant trois secondes. Un long bip sonore retentit.</p>
<p>Fonction d'interrogation</p>	<p>(1) Si l'horloge a été réglée, l'heure actuelle s'affiche pendant trois secondes en appuyant sur « Horloge/Minuterie de cuisine » en mode cuisson.</p>
<p>Menu Auto</p>	<p>(1) En état d'attente, appuyez sur « Menu Auto », l'écran affiche « A-1 ». (2) Appuyez sur « Menu Auto » plusieurs reprises pour choisir le menu dont vous avez besoin. 8 menus automatiques sont disponibles. (3) Déplacez le curseur ou appuyez sur « + » ou « - » pour régler le poids de l'aliment. (4) Appuyez sur « Démarrage/+30 s/Confirmation » pour démarrer la cuisson.</p>

TABLEAU DU MENU AUTO

Menu	Poids (g)	Affichage	Puissance
A-1 POMMES DE TERRE	1 (environ 230 g)	1	P100
	2 (environ 460 g)	2	
	3 (environ 690 g)	3	
A-2 VIANDE	150 g	150 g	P80
	300 g	300 g	
	450 g	450 g	
	600 g	600 g	
A-3 POISSON	150 g	150 g	P80
	250 g	250 g	
	350 g	350 g	
	450 g	450 g	
	650 g	650 g	
A-4 LÉGUMES	150 g	150 g	P100
	350 g	350 g	
	500 g	500 g	
A-5 BOISSONS	1 tasse (240 g)	1	P100
	2 tasses (480 g)	2	
	3 tasses (720 g)	3	
A-6 PÂTES	50 g (eau froide 450 g)	50 g	P80
	100 g (eau froide 800 g)	100 g	
	150 g (eau froide 1 200 g)	150 g	
A-7 POPCORN	100 g	100 g	P100
A-8 PIZZA	200 g	200 g	P100+G-1
	400 g	400 g	

Nettoyage et entretien

Assurez-vous de débrancher l'appareil de l'alimentation électrique.

1. Après utilisation, nettoyez la cavité de l'appareil avec un chiffon humide.
2. Nettoyez les accessoires à l'eau savonneuse comme d'habitude.
3. Le cadre et le joint de la porte ainsi que les parties voisines doivent être nettoyés soigneusement avec un chiffon humide lorsqu'ils sont sales.
4. N'utilisez pas de nettoyeurs abrasifs agressifs ni de racloirs en métal pointus pour nettoyer la vitre de la porte du four, car ils peuvent rayer la surface du verre et briser la vitre.
5. Conseil de nettoyage --- pour un nettoyage plus facile des parois de la cavité que les aliments cuits peuvent toucher : Placez un demi-citron dans un bol, ajoutez 300 ml (1/2 pinte) d'eau et chauffez au micro-ondes à 100 % de la puissance pendant 10 minutes. Nettoyez le four à l'aide d'un chiffon doux et sec.

Protection de l'environnement et élimination

DÉPANNAGE

Normal	
Four à micro-ondes interférant avec la réception TV	La réception des radios et des téléviseurs peut être perturbée lorsque le four à micro-ondes fonctionne. Il s'agit d'un phénomène similaire à l'interférence des petits appareils électriques comme les mixeurs, les aspirateurs et les ventilateurs électriques. C'est tout à fait normal.
Lumière du four tamisée	Durant la cuisson au micro-ondes à faible puissance, la lumière du four peut devenir plus faible. C'est tout à fait normal.
La vapeur s'accumule sur la porte, de l'air chaud s'échappe des événements.	Durant la cuisson, de la vapeur peut s'échapper des aliments. Elle sortira principalement par les événements d'aération. Mais il est possible qu'un peu de vapeur s'accumule sur un endroit frais comme la porte du four. C'est tout à fait normal.
Le four a démarré accidentellement sans nourriture.	Il est interdit de faire fonctionner l'appareil sans nourriture à l'intérieur. Il est très dangereux de faire fonctionner l'appareil ainsi.

Problème	Cause possible	Solution
Il est impossible de démarrer le four.	(1) Le cordon d'alimentation n'est pas bien branché.	Débranchez-le. Puis rebranchez après 10 secondes.
	(2) Les fusibles ou le disjoncteur ont sauté.	Remplacez le fusible ou réinitialisez le disjoncteur (réparé par du personnel professionnel de notre société)
	(3) Problème avec la prise de courant.	Testez la prise avec d'autres appareils électriques.
Le four ne chauffe pas.	(4) La porte n'est pas bien fermée.	Fermez bien la porte.



Conformément à la directive relative aux déchets d'équipements électriques et électroniques (DEEE), les DEEE doivent être collectés et traités séparément. Si à l'avenir vous devez vous débarrasser de ce produit, veuillez **NE PAS** le jeter avec les ordures ménagères. Veuillez envoyer ce produit à un point de collecte des DEEE le cas échéant.

Installation

INSTALLATION ET RACCORDEMENT

1. Cet appareil est uniquement destiné à un usage domestique.
2. Ce four est destiné à être encastré uniquement. Il n'est pas destiné à un usage sur plan de travail ou à l'intérieur d'un placard.
3. Veuillez respecter les instructions d'installation spécifiques.
4. L'appareil peut être installé dans un placard mural de 60 cm de large.
5. L'appareil est équipé d'une fiche et ne doit être branché qu'à une prise de terre correctement installée.
6. La tension secteur doit correspondre à la tension spécifiée sur la plaque signalétique.
7. La prise doit être installée et le câble de connexion ne doit être remplacé que par un électricien qualifié. Si la fiche n'est plus accessible après l'installation, un sectionneur doit être installé avec un intervalle de contact d'au moins 3 mm.
8. N'utilisez pas d'adaptateurs, de multiprises ni de rallonges électriques. La surcharge peut entraîner un risque d'incendie.

La surface accessible peut être chaude pendant et après le fonctionnement.



FOUR ENCASTRABLE

Modèle : **HWO38MG2BHXBD / HWO38MG2IHXB**D

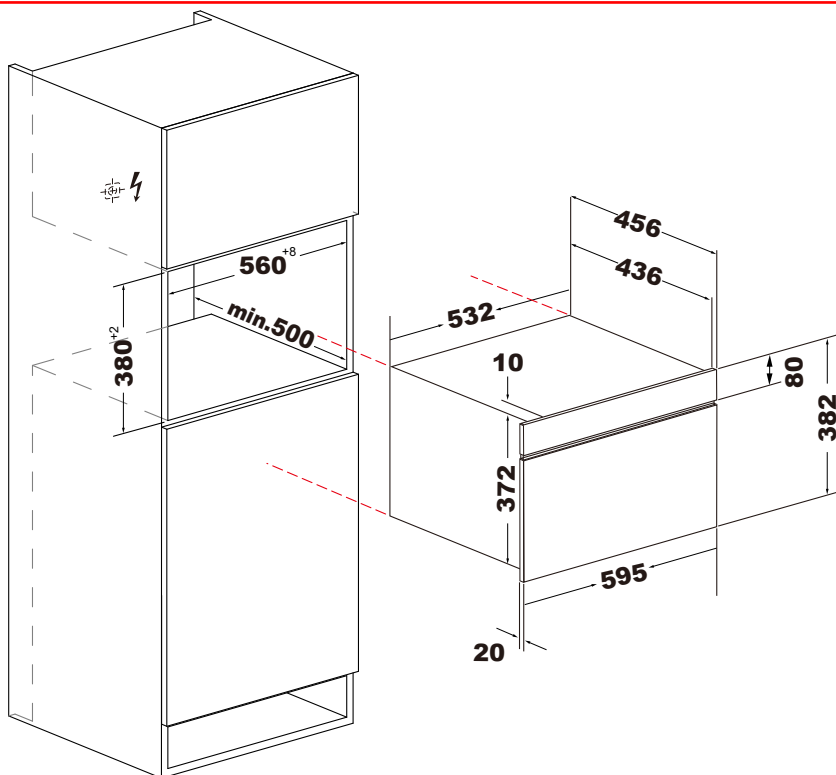
INSTALLATION

Les dimensions ci-jointes sont en mm.

Les unités dans lesquelles l'appareil est installé doivent être résistantes à la chaleur jusqu'à 95 °C.

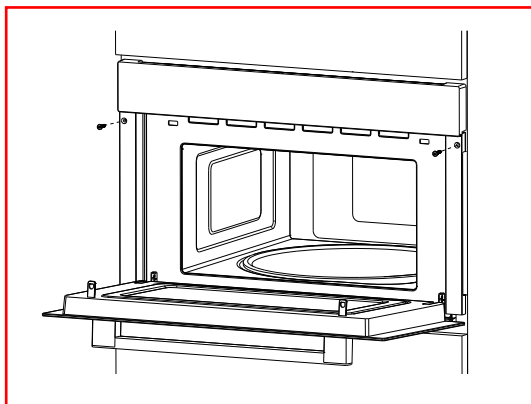
La hauteur d'installation minimale est de 850 mm.

Ne pas utiliser sous une surface de travail ni renverser depuis le conteneur sur la surface où l'appareil est installé.



Intégrer

- Ne tenez ou ne portez pas l'appareil par la poignée de la porte. La poignée de la porte ne peut pas supporter le poids de l'appareil et peut se casser.
1. Poussez délicatement le four à micro-ondes dans la boîte, en vous assurant qu'il est bien au centre.
 2. Ouvrez la porte et fixez le four à micro-ondes avec les vis fournies.



- Insérez complètement l'appareil et centrez-le.
- Ne pliez pas le câble de raccordement.
- Vissez l'appareil en place.

Informations importantes sur la prise

Branchement électrique

L'appareil est équipé d'une fiche et ne doit être branché qu'à une prise de terre correctement installée. Ne faites installer la prise ou remplacer le câble de connexion que par un électricien qualifié, qui respecte les règlements en la matière. Si le connecteur de type fiche n'est plus accessible après l'installation, un sectionneur doit être installé avec un intervalle de contact d'au moins 3 mm.

La protection du contact doit être assurée.

Protection par fusible : voir instructions d'utilisation et les données techniques.

Informations importantes sans prise

L'appareil est conçu pour être installé de façon permanente avec un cordon d'alimentation à trois broches et ne peut être raccordé que par un expert agréé, conformément au schéma de raccordement.

Seul un électricien qualifié qui tient compte des réglementations en vigueur peut remplacer le cordon d'alimentation. N'utilisez pas de prises multiples, de multiprises ou de rallonges. Une surcharge entraîne un risque d'incendie.

Si le connecteur n'est plus accessible après l'installation, un sectionneur doit être installé avec un intervalle de contact d'au moins 3 mm.

Connectez les fils du cordon d'alimentation secteur en respectant le code couleur suivant :

Vert et jaune Fil de terre < (E)

Bleu Fil neutre (N)

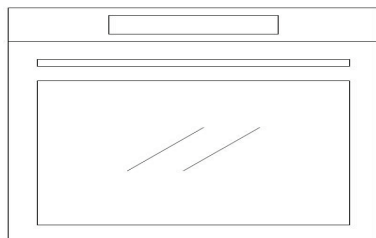
Marron Phase (L)

Grande-Bretagne et Australie :

Ne connectez pas l'appareil à l'aide d'une fiche de 13 A et ne le protégez pas avec un fusible de 13 A. L'appareil doit être protégé par un fusible de 16 A ou plus. L'appareil doit être débranché de l'alimentation électrique pendant tous les travaux d'installation. Lors de l'installation de l'appareil, il faut prévoir une protection contre les futurs contacts accidentels.

Haier

Instrukcja obsługi



CANDY HOOVER GROUP – Via Comolli 16, Brugherio – Włochy

Spis treści

115	Istotne wskazówki dotyczące bezpieczeństwa
122	Opis produktu
124	Jak działa produkt
125	Użytkowanie urządzenia
129	Czyszczenie i konserwacja
130	Ochrona środowiska i utylizacja odpadów
131	Instalacja

Szanowny Kliencie

Dziękujemy oraz gratulujemy dokonanego wyboru. Ten nowy produkt został starannie zaprojektowany i wykonany z materiałów najwyższej jakości oraz poddany szczegółowym testom tak, aby spełniał wszystkie wymagania kulinarne.

Proszę przeczytać niniejsze proste wskazówki oraz je przestrzegać. Pozwolą one uzyskać doskonałe efekty już za pierwszym razem. Oddajemy w Państwa ręce to nowoczesne urządzenie, życząc wszystkiego najlepszego.

Istotne wskazówki dotyczące bezpieczeństwa



ŚRODKI OSTROŻNOŚCI ZAPOBIEGAJĄCE NARAŻENIU NA NADMIERNE PROMIENIOWANIE ENERGII MIKROFALOWEJ

- Nie wolno podejmować prób uruchomienia kuchenki z otwartymi drzwiczkami, aby nie narażać się na szkodliwe napromieniowanie energią mikrofalową. Ważne jest, aby nie uszkodzić blokad bezpieczeństwa, ani nie manipulować przy nich.
- Nie umieszczaj żadnych przedmiotów między przednią częścią kuchenki a drzwiami ani nie dopuszczaj do gromadzenia się brudu lub resztek środka czyszczącego na powierzchniach uszczelniających.
- **OSTRZEŻENIE:** W przypadku uszkodzenia drzwiczek lub uszczelki drzwiczek kuchenki nie wolno używać do czasu naprawy przez kompetentną osobę.

WAŻNE INSTRUKCJE BEZPIECZEŃSTWA OSTRZEŻENIE

Aby zmniejszyć ryzyko pożaru, porażenia prądem elektrycznym, obrażeń ciała lub narażenia na nadmierne promieniowanie mikrofalowe podczas korzystania z urządzenia, należy przestrzegać podstawowych środków ostrożności, w tym poniższych wskazówek:

- Przeczytaj i postępuj zgodnie z poniższymi informacjami: „ŚRODKI OSTROŻNOŚCI ZAPOBIEGAJĄCE NARAŻENIU NA NADMIERNE PROMIENIOWANIE ENERGII MIKROFALOWEJ”.
- Urządzenie może być obsługiwane przez dzieci powyżej 8 roku życia i przez osoby o ograniczonych możliwościach fizycznych, sensorycznych lub umysłowych albo osoby nieposiadające doświadczenia ani wiedzy pod warunkiem, że są one pod odpowiednim nadzorem lub zostały poinstruowane, jak bezpiecznie obsługiwać urządzenie i rozumieją związane z nim zagrożenia. Dzieci nie powinny bawić się urządzeniem. Czyszczenie i konserwacja nie mogą być wykonywane przez dzieci bez dozoru.
- Urządzenie i jego przewód należy przechowywać w miejscu niedostępnym dla dzieci w wieku poniżej 8 lat.
- Jeśli kabel zasilający ulegnie uszkodzeniu, dla bezpieczeństwa należy zlecić jego wymianę producentowi, autoryzowanemu serwisowi lub osobom o podobnych kwalifikacjach.
- **OSTRZEŻENIE:** Upewnij się, że urządzenie jest wyłączone przed wymianą lampy, aby uniknąć porażenia prądem.
- **OSTRZEŻENIE:** Wykonywanie jakichkolwiek czynności serwisowych lub naprawczych wymagających zdjęcia osłony chroniącej przed działaniem energii mikrofalowej przez osoby inne niż kompetentne jest niebezpieczne.
- **OSTRZEŻENIE:** Płynów i produktów spożywczych nie wolno podgrzewać w zamkniętych pojemnikach, ponieważ mogą one eksplodować.
- Podczas podgrzewania potraw w plastikowych lub papierowych pojemnikach należy pilnować kuchenki ze względu na możliwość zapłonu.
- Używaj tylko naczyń, które nadają się do użytku w kuchenkach mikrofalowych.

- Jeśli wydobywa się dym, wyłącz lub odłącz urządzenie i trzymaj drzwi zamknięte, aby zdusić ewentualne płomienie.
- Podgrzewanie napojów w kuchenke mikrofalowej może spowodować opóźnione wrzenie erupcyjne, dlatego należy zachować ostrożność podczas obsługi pojemnika.
- Przed spożyciem zawartość butelek do karmienia i słoiczków z jedzeniem dla niemowląt należy wymieszać lub wstrząsnąć, a temperaturę sprawdzić w celu uniknięcia oparzeń.
- Jajek w skorupkach i całych jajek ugotowanych na twardo nie należy podgrzewać w kuchenke mikrofalowej, ponieważ mogą eksplodować, nawet po zakończeniu podgrzewania w kuchenke mikrofalowej.
- Szczegóły dotyczące czyszczenia uszczelek drzwi, wnęk i sąsiadujących części.
- Kuchenkę należy regularnie czyścić i usuwać wszelkie resztki jedzenia.
- Nieutrzymywanie kuchenki w czystości może prowadzić do uszkodzenia powierzchni, co może niekorzystnie wpłynąć na żywotność urządzenia i spowodować niebezpieczną sytuację.
- Używać wyłącznie czujnika temperatury zalecanego dla tego piekarnika. (dla piekarników wyposażonych w funkcję czujnika temperatury).
- Kuchenka mikrofalowa musi być obsługiwana przy otwartych dekoracyjnych drzwiczkach. (w przypadku kuchenek z dekoracyjnymi drzwiczkami).
- To urządzenie jest przeznaczone do użytku domowego i podobnych zastosowań, takich jak:
 - użytkowanie w pomieszczeniach kuchennych przeznaczonych dla personelu sklepów, w biurach i innych miejscach pracy;

- przez klientów w hotelach, motelach i innych miejscach zamieszkania;
- gospodarstwa;
- miejsca typu bed and breakfast.
- Kuchenka mikrofalowa przeznaczona jest do podgrzewania potraw i napojów. Suszenie żywności lub odzieży oraz podgrzewanie poduszek rozgrzewających, kapci, gąbek, wilgotnych ściereczek itp. może prowadzić do ryzyka obrażeń, zapłonu lub pożaru.
- Podczas gotowania w kuchence mikrofalowej nie wolno używać metalowych pojemników na żywność i napoje.
- Urządzenia nie należy czyścić myjką parową.
- Urządzenia nie można montować za dekoracyjnymi drzwiami, aby się nie przegrzało. (Nie dotyczy to urządzeń z drzwiami ze zdobieniami).
- Kuchenka mikrofalowa przeznaczona jest do zabudowy.
- Urządzenie należy obsługiwać przy otwartych dowolnych drzwiach szafki.
- Należy uważać, aby nie przesunąć talerza obrotowego podczas wyjmowania pojemników z urządzenia. (W przypadku urządzeń stacjonarnych i urządzeń do zabudowy, używanych na wysokości co najmniej 900 mm nad podłogą i wyposażonych w odłączane talerze obrotowe. Nie dotyczy to jednak urządzeń z poziomymi dolnymi drzwiami na zawiasach).
- Powierzchnia szuflady do przechowywania może się nagrzewać.
- Nie używaj ostrych, ściernych środków czyszczących ani ostrych metalowych skrobaków do czyszczenia szyby drzwiczek kuchenki, ponieważ mogą one porysować powierzchnię, co może spowodować pęknięcie szyby.

- **OSTRZEŻENIE:** Urządzenie i jego dostępne części nagrzewają się podczas użytkowania. Należy uważać, aby nie dotykać elementów grzejnych. Dzieci poniżej 8 roku życia nie powinny mieć dostępu do urządzenia, chyba że są pod stałym nadzorem.
- Podczas i po użyciu urządzenie nagrzewa się. Należy uważać, aby nie dotykać elementów grzejnych wewnątrz kuchenki.
- **OSTRZEŻENIE:** Dostępne części mogą się nagrzewać podczas i po użyciu. Małe dzieci nie powinny znajdować się w pobliżu urządzenia.
- **OSTRZEŻENIE:** Gdy urządzenie pracuje w trybie łączonym, dzieci powinny używać kuchenki tylko pod nadzorem osoby dorosłej ze względu na wytwarzaną temperaturę.

OGRANICZENIE RYZYKA OBRAŻEŃ U OSÓB WYKONUJĄCYCH INSTALACJĘ UZIEMIAJĄCĄ ZAGROŻENIE

- Ryzyko porażenia prądem
- Dotknięcie niektórych wewnętrznych komponentów może spowodować poważne obrażenia ciała lub śmierć. Nie demontuj tego urządzenia.

OSTRZEŻENIE

- Ryzyko porażenia prądem
- Niewłaściwe użycie uziemienia może spowodować porażenie prądem. Nie podłączać do gniazdka, dopóki urządzenie nie zostanie prawidłowo zainstalowane i uziemione.
- To urządzenie musi być uziemione. W przypadku zwarcia elektrycznego uziemienie zmniejsza ryzyko porażenia prądem, zapewniając przewód odprowadzający prąd elektryczny.

- To urządzenie jest wyposażone w przewód z przewodem uziemiającym z wtyczką uziemiającą. Wtyczkę należy podłączyć do prawidłowo zainstalowanego i uziemionego gniazdka.
- Skonsultuj się z wykwalifikowanym elektrykiem lub serwisantem, jeśli instrukcje dotyczące uziemienia nie są w pełni zrozumiałe lub jeśli istnieją wątpliwości, czy urządzenie jest prawidłowo uziemione.
- Jeśli konieczne jest użycie przedłużacza, używaj tylko przedłużacza 3-żyłowego.
 - Aby zmniejszyć ryzyko zaplątania się lub potknięcia o dłuższy przewód, zastosowano krótki przewód zasilający.
 - W przypadku użycia długiego zestawu przewodów lub przedłużacza:
 - Oznaczone parametry elektryczne zestawu przewodów lub przedłużacza powinny być takie jak parametry elektryczne urządzenia lub wyższe.
 - Przedłużacz musi być 3-żyłowym przewodem z uziemieniem.
 - Długi przewód należy ułożyć tak, aby nie zwisał z blatu stołu, gdzie dzieci mogą go pociągnąć lub przypadkowo o niego zahaczyć.

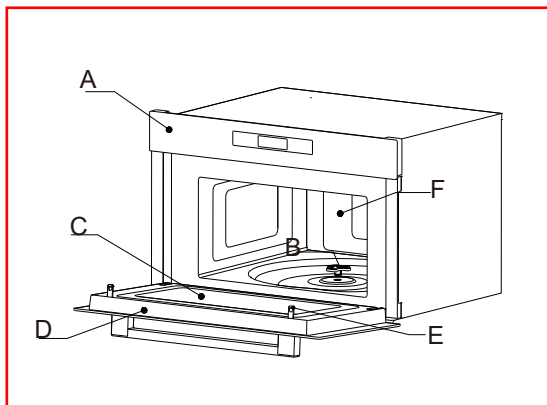
Materiały, których można używać w kuchenke mikrofalowej

Przybory	Uwagi
Naczynie do zapiekania	Stosuj się do wskazówek producenta. Spód naczynia musi znajdować się co najmniej 5 mm nad talerzem obrotowym. Nieprawidłowe użytkowanie może spowodować pęknięcie talerza obrotowego.
Zastawa stołowa	Tylko do użytku w kuchenke mikrofalowej. Stosuj się do wskazówek producenta. Nie używaj popękanych lub wyszczerbionych naczyń.
Szklane stoiki	Zawsze zdejmuj pokrywę. Używaj tylko do podgrzewania jedzenia, aż będzie ciepłe. Większość szklanych stoików nie jest odporna na ciepło i może pęknąć.
Wyroby szklane	Wyłącznie naczynia żaroodporne. Upewnij się, że nie ma metalowego wykończenia. Nie używaj popękanych lub wyszczerbionych naczyń.
Torebki do pieczenia w kuchenke	Stosuj się do wskazówek producenta. Nie zamykaj za pomocą opaski metalowej. Zrób szczeliny, aby para mogła się wydostać.
Papierowe talerze i kubki	Używaj tylko do krótkotrwałego gotowania/podgrzewania. Nie pozostawiaj piekarnika bez nadzoru podczas gotowania.
Papierowe ręczniki	Używaj do przykrywania żywności do odgrzewania i wchłaniania tłuszczu. Używaj pod nadzorem tylko do krótkotrwałego gotowania.
Pergamin	Używaj jako przykrycia, aby zapobiec rozpryskiwaniu lub do zawinięcia do gotowania na parze.
Tworzywo sztuczne	Tylko do użytku w kuchenke mikrofalowej. Postępuj zgodnie z instrukcjami producenta. Powinno być oznaczone jako „Przeznaczone do kuchenki mikrofalowej”. Niektóre pojemniki z tworzywa sztucznego mięknią, gdy żywność w środku nagrzewa się. „Torebki do gotowania” i szczególnie zamknięte torebki z tworzywa sztucznego należy rozciąć, przebijając lub wentylować zgodnie z zaleceniami na opakowaniu.
Plastikowa folia	Tylko do użytku w kuchenke mikrofalowej. Stosuj do przykrycia żywności podczas gotowania w celu zachowania wilgotności. Nie dopuszczaj do kontaktu plastikowej folii z jedzeniem.
Termometry	Tylko bezpieczne do stosowania w kuchenkach mikrofalowych (termometry do mierzenia temperatury mięsa i słodkich wypieków).
Papier woskowany	Używaj do przykrycia jedzenia w celu ochrony przed rozpryskami oraz zachowania wilgoci.

Materiały, których należy unikać w kuchenke mikrofalowej

Przybory	Uwagi
Taca aluminiowa	Może powodować iskrzenie. Przełóż żywność do naczyń bezpiecznych do stosowania w kuchenkach mikrofalowych.
Pudełka kartonowe z metalowymi uchwytami	Może powodować iskrzenie. Przełóż żywność do naczyń bezpiecznych do stosowania w kuchenkach mikrofalowych.
Naczynia metalowe lub metalizowane	Metal nie dopuszcza energii mikrofalowej do żywności. Opaski metalowe mogą być przyczyną iskrzenia.
Metalowe druciki do wiązania	Mogą spowodować iskrzenie i pożar w kuchenke.
Papierowe torby	Mogą być przyczyną pożaru wewnątrz kuchenki.
Pianka z tworzywa sztucznego	Pod wpływem wysokiej temperatury pianka może się rozpuścić lub zanieczyścić płyn znajdujący się wewnątrz.
Drewno	Drewno używane w kuchenke mikrofalowej wysycha, może się rozszcześcić lub popękać.

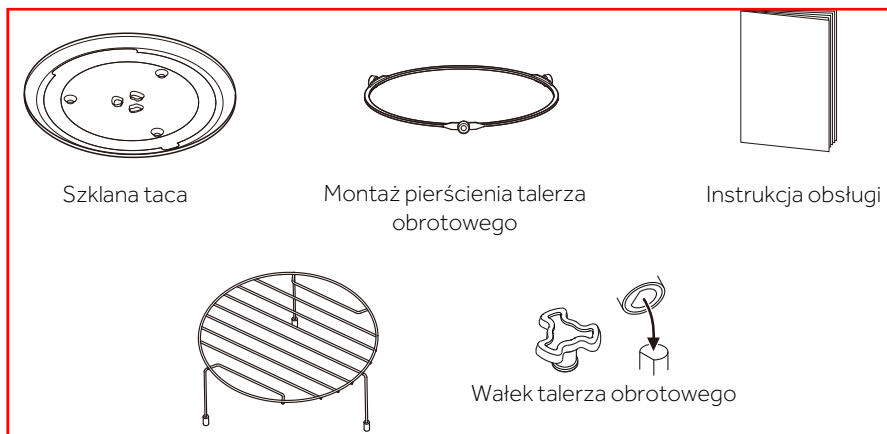
Opis produktu



- A) Panel sterowania
- B) Wałek talerza obrotowego
- C) Okno obserwacyjne
- D) Drzwiczki
- E) System blokad bezpieczeństwa
- F) Wnęka piekarnika

AKCESORIA

Wymij kuchenkę oraz wszystkie materiały z pudełka i wnętrza kuchenki. Kuchenka jest dostarczana z następującymi akcesoriami:



Szklana taca

Montaż pierścienia talerza obrotowego

Instrukcja obsługi

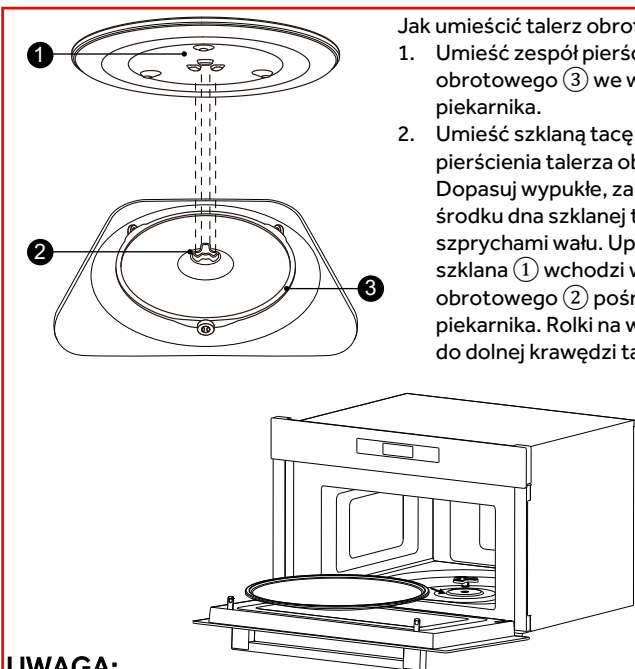
Wałek talerza obrotowego

Wyższy stojak z drutu. (Do grillowania np. steków, kiełbasek i opiekania chleba. Jako podkład pod płytkie naczynia).

INSTALOWANIE OBROTOWEGO TALERZA

Czyszczenie komory piekarnika i ustawianie talerza obrotowego.

W przypadku nowych instalacji upewnij się, że z wałka obrotowego usunięto wszystkie taśmy pakunkowe i transportowe. Przed pierwszym użyciem urządzenia do przygotowywania posiłków należy prawidłowo ustawić talerz obrotowy. Należy wyczyścić komorę piekarnika i wyposażenie.



Jak umieścić talerz obrotowy:

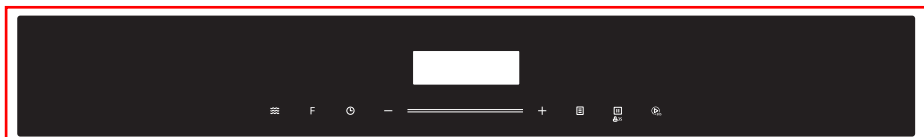
1. Umieść zespół pierścienia talerza obrotowego (3) we wgłębieniu w komorze piekarnika.
2. Umieść szklaną tacę (1) na zespole pierścienia talerza obrotowego (3). Dopasuj wypukłe, zakrzywione linie na środku dna szklanej tacy między trzema szprychami wału. Upewnij się, że taca szklana (1) wchodzi w wałek talerza obrotowego (2) pośrodku dna komory piekarnika. Rolki na wale powinny pasować do dolnej krawędzi talerza obrotowego.

UWAGA:

1. Nigdy nie używaj urządzenia bez talerza obrotowego. Upewnij się, że jest prawidłowo zatrzaśnięty. Talerz obrotowy może obracać się zgodnie z ruchem wskazówek zegara lub przeciwnie do ruchu wskazówek zegara.
2. Nigdy nie stawiaj szklanej tacy do góry nogami. Szklana taca nigdy nie powinna być ograniczona.
3. Podczas gotowania w kuchence należy zawsze używać szklanego talerza z zestawem obrotowego pierścienia.
4. Podczas gotowania żywność oraz pojemniki z żywnością należy zawsze umieszczać na obrotowym talerzu.
5. Nigdy nie ograniczaj ruchu talerza obrotowego.
6. W przypadku pęknięcia lub złamania szklanej tacy lub pierścienia talerza obrotowego należy skontaktować się z najbliższym autoryzowanym centrum serwisowym.

Jak działa produkt

PANEL STEROWANIA



Symbol	Funkcja
	Kuchenka mikrofalowa
F	Funkcja
	Zegar/Minutnik kuchenny
	Automatyczne menu
  3S	Zablokuj/Anuluj
 +30S	Start/+30Sek/Potwierdź

Użytkowanie urządzenia

OBSŁUGA

Nazwa	Opis												
Ustawianie zegara	<ol style="list-style-type: none">(1) Naciśnij raz „Zegar/Minutnik kuchenny”, a następnie wyświetli się „00:00”.(2) Przesuń suwak lub naciśnij „+” lub „-”, aby ustawić cyfry godzinowe. Czas powinien mieścić się w zakresie 0-23.(3) Naciśnij „Zegar/Minutnik kuchenny”, aby potwierdzić.(4) Przesuń suwak lub naciśnij „+” lub „-”, aby ustawić cyfry minut. Czas powinien mieścić się w zakresie 0-59.(5) Naciśnij „Zegar/Minutnik kuchenny”, aby potwierdzić.												
Minutnik kuchenny	<ol style="list-style-type: none">(1) Naciśnij dwukrotnie „Zegar/Minutnik kuchenny”, a następnie wyświetli się „00:00”.(2) Przesuń suwak lub naciśnij „+” lub „-”, aby ustawić czas. Czas powinien mieścić się w zakresie 0:05 ~ 95:00.(3) Naciśnij „Start/+30Sek./Potwierdź”, aby potwierdzić.												
Kuchenka mikrofalowa	<table border="1"><thead><tr><th>Poziomocy</th><th>100%</th><th>80%</th><th>50%</th><th>30%</th><th>10%</th></tr></thead><tbody><tr><td>Wyświetlacz</td><td>P10</td><td>P8</td><td>P5</td><td>P3</td><td>P1</td></tr></tbody></table> <ol style="list-style-type: none">(1) W stanie oczekiwania naciśnij „Kuchenka mikrofalowa”, a następnie wyświetli się „P10”.(2) Naciśnij kilkakrotnie przycisk „Kuchenka mikrofalowa”, aby ustawić poziom mocy, dostępnych jest 5 poziomów mocy.(3) Przesuń suwak lub naciśnij „+” lub „-”, aby ustawić czas gotowania.(4) Naciśnij „Start/+30Sek./Potwierdź”, aby rozpocząć gotowanie.	Poziomocy	100%	80%	50%	30%	10%	Wyświetlacz	P10	P8	P5	P3	P1
Poziomocy	100%	80%	50%	30%	10%								
Wyświetlacz	P10	P8	P5	P3	P1								
Grill	<ol style="list-style-type: none">(1) Naciśnij „Funkcja” jeden raz, a następnie wyświetli się „G-1”.(2) Przesuń suwak lub naciśnij „+” lub „-”, aby ustawić czas gotowania.(3) Naciśnij „Start/+30Sek./Potwierdź”, aby rozpocząć gotowanie. <p>Uwaga: Po upływie połowy czasu rozlegnie się brzęczyk przypominający o konieczności obrócenia potrawy. Jeżeli żadne działanie nie zostanie podjęte, kuchenka wznowi pracę.</p>												

<p style="text-align: center;">Kombinacja</p>	<p>(1) Naciśnij „Funkcja” jeden raz, a następnie wyświetli się „G-1”. Naciśnij kilkakrotnie „Funkcja”, aby wybrać żadaną moc, a „C-1”, „C-2” będą wyświetlane w kolejności.</p> <p>(2) Przesuń suwak lub naciśnij „+” lub „-”, aby ustawić czas gotowania.</p> <p>(3) Naciśnij „Start/+30Sek./Potwierdź”, aby rozpocząć gotowanie.</p> <p>Uwaga: Instrukcje kombinacji</p> <table border="1" style="width: 100%; border-collapse: collapse;"> <thead> <tr> <th style="text-align: center;">Instrukcje</th> <th style="text-align: center;">Wyświetlacz</th> <th style="text-align: center;">Kuchenka mikrofalowa</th> <th style="text-align: center;">Grill</th> </tr> </thead> <tbody> <tr> <td style="text-align: center;">1</td> <td style="text-align: center;">C-1</td> <td style="text-align: center;">55%</td> <td style="text-align: center;">45%</td> </tr> <tr> <td style="text-align: center;">2</td> <td style="text-align: center;">C-2</td> <td style="text-align: center;">36%</td> <td style="text-align: center;">64%</td> </tr> </tbody> </table>	Instrukcje	Wyświetlacz	Kuchenka mikrofalowa	Grill	1	C-1	55%	45%	2	C-2	36%	64%
Instrukcje	Wyświetlacz	Kuchenka mikrofalowa	Grill										
1	C-1	55%	45%										
2	C-2	36%	64%										
<p style="text-align: center;">Rozmrażanie według wagi</p>	<p>(1) Naciśnij dwukrotnie „Funkcja”, a na ekranie pojawi się „0,1 kg”.</p> <p>(2) Przesuń suwak lub naciśnij „+” lub „-”, aby ustawić wagę. Powinna ona mieścić się w zakresie 100-2000g.</p> <p>(3) Naciśnij „Start/+30Sek./Potwierdź”, aby rozpocząć rozmrażanie.</p>												
<p style="text-align: center;">Rozmrażanie według czasu</p>	<p>(1) Naciśnij trzykrotnie „Funkcja”, a na ekranie pojawi się „1:00”.</p> <p>(2) Przesuń suwak lub naciśnij „+” lub „-”, aby ustawić czas.</p> <p>(3) Naciśnij „Start/+30Sek./Potwierdź”, aby rozpocząć rozmrażanie.</p> <p>Uwaga: Gdy upłynie połowa czasu rozmrażania, włączy się brzęczyk, obróć jedzenie. Jeżeli żadne działanie nie zostanie podjęte, kuchenka wznowi pracę.</p>												
<p style="text-align: center;">Szybkie gotowanie</p>	<p>(1) W stanie oczekiwania naciśnij „Start/+30Sek./Potwierdź”, aby gotować jedzenie z mocą 100% przez 30 sekund. Każde naciśnięcie tego samego klawisza może wydłużyć czas o 30 sekund, a maksymalna wartość czasu to 95 minut.</p> <p>Uwaga: Szybkiego gotowania nie można ustawić w menu rozmrażania według wagi, w menu wieloetapowym i automatycznym.</p>												

<p>Funkcja blokady przed dziećmi</p>	<p>Możesz użyć tej funkcji, aby zapobiec przypadkowemu włączeniu piekarnika przez dzieci. Aby aktywować blokadę: W stanie oczekiwania naciśnij i przytrzymaj „Zablokuj/Anuluj” przez trzy sekundy. Rozlegnie się długi sygnał dźwiękowy i zostanie wyświetlona ikona blokady. Aby dezaktywować blokadę: W stanie zablokowania naciśnij i przytrzymaj „Zablokuj/Anuluj” przez trzy sekundy. Rozlegnie się długi sygnał dźwiękowy.</p>
<p>Funkcja zapytania</p>	<p>(1) Jeśli zegar został ustawiony, aktualny czas będzie wyświetlany przez trzy sekundy po naciśnięciu „Zegar/Minutnik kuchenny” w stanie gotowania.</p>
<p>Automatyczne menu</p>	<p>(1) W stanie oczekiwania naciśnij „Menu automatyczne”, na ekranie pojawi się „A-1”. (2) Naciśnij kilkakrotnie „Menu automatyczne”, aby wybrać potrzebne menu. Dostępnych jest 8 automatycznych menu. (3) Przesuń suwak lub naciśnij „+” lub „-”, aby ustawić wagę potrawy. (4) Naciśnij „Start/+30Sek./Potwierdź”, aby rozpocząć gotowanie.</p>

WYKRES MENU AUTOMATYCZNEGO

Menu	Waga (g)	Wyświetlacz	Zasilanie
A-1 ZIEMNIAK	1 (około 230 g)	1	P100
	2 (około 460 g)	2	
	3 (około 690 g)	3	
A-2 MIĘSO	150g	150g	P80
	300 g	300 g	
	450 g	450 g	
	600 g	600 g	
A-3 RYBY	150 g	150 g	P80
	250 g	250 g	
	350 g	350 g	
	450 g	450 g	
	650 g	650 g	
A-4 WARZYWA	150 g	150 g	P100
	350 g	350 g	
	500 g	500 g	
A-5 NAPOJE	1 szklanka (240 g)	1	P100
	2 szklanki (480 g)	2	
	3 szklanki (720 g)	3	
A-6 MAKARON	50 g (zimna woda 450 g)	50 g	P80
	100 g (zimna woda 800 g)	100 g	
	150 g (zimna woda 1200 g)	150 g	
A-7 PRAŻONA KUKURYDZA	100 g	100 g	P100
A-8 PIZZA	200 g	200 g	P100+G-1
	400 g	400 g	



Czyszczenie i konserwacja

Pamiętaj, aby odłączyć urządzenie od zasilania.

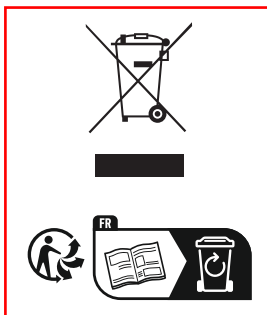
1. Po użyciu wyczyść komorę kuchenki lekko wilgotną ściereczką.
2. Wyczyść akcesoria w zwykły sposób w wodzie z mydłem.
3. W przypadku zabrudzenia ościeżnicę i uszczelkę oraz sąsiednie części należy dokładnie wyczyścić wilgotną szmatką.
4. Nie używaj ostrych, ściernych środków czyszczących ani ostrych metalowych skrobaków do czyszczenia szyby drzwiczek kuchenki, ponieważ mogą one porysować powierzchnię, co może spowodować pęknięcie szyby.
5. Wskazówka dotycząca czyszczenia --- Aby ułatwić czyszczenie ścian komory, których może dotyczyć gotowana żywność: Umieść pół cytryny w misce, dodaj 300 ml (1/2 litra) wody i podgrzewaj na 100% mocy kuchenki mikrofalowej przez 10 minut. Wytrzyj kuchenkę do czysta miękką, suchą ściereczką.

Ochrona środowiska i utylizacja odpadów

ROZWIĄZYWANIE PROBLEMÓW

Sytuacja normalna	
Kuchenka zakłóca odbiór programów TV	Praca kuchenki mikrofalowej może powodować zakłócenia odbiorników radiowych i telewizyjnych. Zakłócenia te są podobne do zakłóceń wywołanych przez małe urządzenia elektryczne takie, jak mikser, odkurzacz, wentylator itp. To normalne.
Przyciemnione światło wewnątrz kuchenki	Podczas gotowania przy niskiej mocy mikrofal wewnętrzne oświetlenie kuchenki może zostać przyciemnione. To normalne.
Para gromadzi się na drzwiczkach, gorące powietrze wydobywa się przez otwory wentylacyjne	Podczas gotowania z żywności może wydobywać się para. Większość pary odprowadzana jest przez otwory wentylacyjne. Jednak część pary może osadzać się na chłodnych częściach kuchenki (np. na drzwiczkach). To normalne.
Kuchenka została przypadkowo włączona bez żywności.	Zabrania się używać kuchenki bez żywności wewnątrz. To jest bardzo niebezpieczne.

Problem	Potencjalna przyczyna	Rozwiązanie
Kuchenka nie chce się włączyć.	(1) Wtyczka kabla zasilającego nie jest dokładnie włożona do gniazdka.	Wymij wtyczkę z gniazdka. Włóż ponownie po upływie 10 sekund.
	(2) Przepalił się bezpiecznik lub zadziałał wyłącznik awaryjny.	Wymień bezpiecznik lub zresetuj wyłącznik automatyczny (naprawiony przez profesjonalny personel naszej firmy)
	(3) Problem z gniazdkiem.	Sprawdź gniazdko przy pomocy innego urządzenia elektrycznego.
Kuchenka nie grzeje.	(4) Niedokładnie zamknięte drzwiczki.	Dobrze zamknij drzwi.



Zgodnie z dyrektywą w sprawie zużytego sprzętu elektrycznego i elektronicznego (WEEE), WEEE powinien być gromadzony i przetwarzany oddzielnie. Jeśli w przyszłości będziesz musiał wyrzucić ten produkt, NIE wyrzucaj go razem z odpadami domowymi. Prosimy o przesłanie tego produktu do punktów zbiórki WEEE, jeśli są dostępne.

Instalacja

INSTALACJA I PODŁĄCZENIE

1. To urządzenie jest przeznaczone wyłącznie do użytku domowego.
2. Kuchenka jest przeznaczona wyłącznie do zabudowy. Nie jest przeznaczona do użytku na blacie lub wewnątrz szafki.
3. Należy przestrzegać specjalnych instrukcji montażu.
4. Urządzenie może być zainstalowane w szafce naściennej o szerokości 60 cm.
5. Urządzenie jest wyposażone we wtyczkę i może być podłączone tylko do prawidłowo zainstalowanego gniazdka z uziemieniem.
6. Napięcie sieciowe musi odpowiadać napięciu podanemu na tabliczce znamionowej.
7. Gniazdko musi być zainstalowane, a kabel połączeniowy może być wymieniany wyłącznie przez wykwalifikowanego elektryka. Jeśli wtyczka nie jest już dostępna po instalacji, po stronie instalacji musi znajdować się odłącznik wszystkich biegunów z przerwą między stykami co najmniej 3 mm.
8. Nie wolno używać adapterów, listew wielodrożnych i przedłużaczy. Przeciążenie może spowodować ryzyko pożaru.

Dostępna powierzchnia może być gorąca podczas i po pracy.



PIEKARNIK W ZABUDOWIE

Model: HWO38MG2BHXB / HWO38MG2IHXB

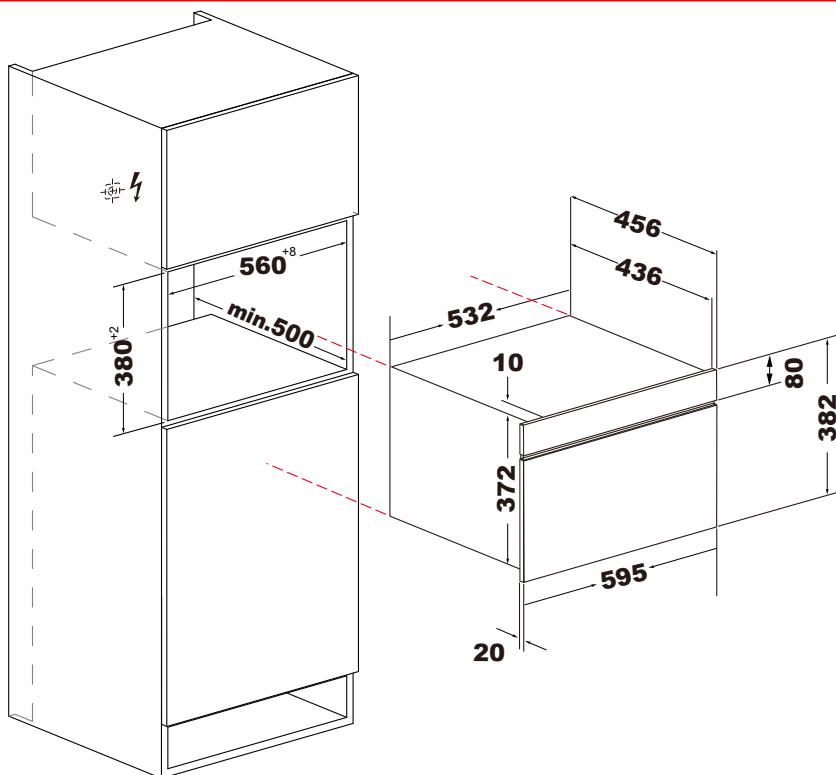
MONTAŻ

Załączone wymiary podane są w mm.

Jednostki, w których montowane jest urządzenie, muszą być odporne na temperaturę do 95°C.

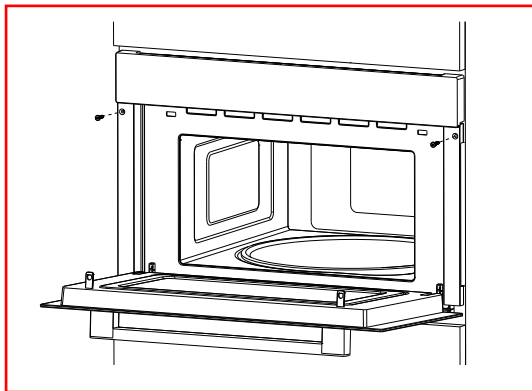
Minimalna wysokość montażu to 850mm.

Nie używać pod powierzchnią roboczą i nie wylewać z pojemnika na powierzchnię, do której przymocowane jest urządzenie.



Zabudowa

- Nie trzymaj ani nie przenoś urządzenia trzymając za klamkę drzwi. Klamka drzwi nie utrzyma ciężaru urządzenia i może się złamać.
1. Ostrożnie wepchnij kuchenkę mikrofalową do pudełka, upewniając się, że jest na środku.
 2. Otwórz drzwiczki i przymocuj kuchenkę mikrofalową dostarczonymi śrubami.



- Całkowicie włożyć urządzenie i wyśrodkować.
- Nie zginaj kabla połączeniowego.
- Przykręć urządzenie na miejsce.

Ważna informacja z wtyczką

Podłączenie do prądu

Urządzenie jest wyposażone we wtyczkę i może być podłączone tylko do prawidłowo zainstalowanego gniazdka z uziemieniem. Tylko wykwalifikowany elektryk, który przestrzega odpowiednich przepisów, może zainstalować gniazdo lub wymienić kabel łączący. Jeżeli po zakończeniu instalacji wtyczka nie jest już dostępna, po stronie instalacji musi być zamontowany wyłącznik izolacyjny z minimalnym odstępem styków 3 mm.

Podczas montażu należy zapewnić ochronę styków.

Zabezpieczenie bezpiecznikiem: patrz instrukcja użytkowania – dane techniczne.

Ważna informacja bez wtyczki

Urządzenie jest przeznaczone do instalacji na stałe za pomocą trójstykowego przewodu zasilającego i może być podłączone wyłącznie przez licencjonowanego eksperta zgodnie ze schematem połączeń.

Tylko wykwalifikowany elektryk, który przestrzega odpowiednich przepisów, może wymienić przewód zasilający. Nie używaj wielu wtyczek, listew zasilających ani przedłużaczy. Przeciążenie powoduje zagrożenie życia.

Jeśli połączenie nie jest już dostępne po instalacji, należy zapewnić wyłącznik wielostykowy z przerwą między stykami wynoszącą co najmniej 3 mm.

Podłączyć przewody przewodu zasilającego zgodnie z następującym kodowaniem kolorami:

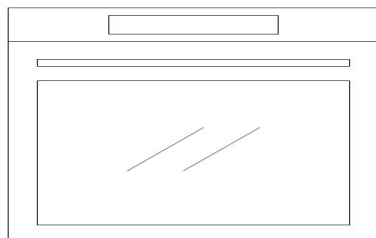
Zielony i żółty	Przewód uziemiający < (E)
Niebieski	Przewód neutralny (N)
Brązowy	Fazowy (L)

Wielka Brytania i Australia:

Nie podłączaj urządzenia za pomocą wtyczki 13 A ani nie zabezpieczaj go bezpiecznikiem 13 A. Urządzenie musi być zabezpieczone bezpiecznikiem o wartości znamionowej 16 A lub większej. Podczas wszystkich prac instalacyjnych urządzenie musi być odłączone od zasilania. Po zainstalowaniu urządzenia należy zapewnić ochronę przed przypadkowym dotknięciem w przyszłości.

Haier

Manual do Utilizador



CANDY HOOVER GROUP – Via Comolli 16 Brugherio – Itália

Resumo

137	Indicações de segurança importantes
144	Descrição do produto
146	Como funciona o produto
147	Utilização do aparelho
151	Limpeza e manutenção
152	Proteção do ambiente e eliminação
153	Instalação

Caro Cliente,

Gostaríamos de agradecer-lhe e felicitá-lo pela sua escolha. Este novo produto foi cuidadosamente projetado e construído com materiais de alta qualidade e testado meticulosamente para garantir que satisfaz todos os requisitos culinários.

Por favor, leia e observe estas instruções simples, o que lhe permitirá obter excelentes resultados a partir da primeira utilização. Este aparelho de última geração é-lhe fornecido com os nossos melhores desejos.

Indicações de segurança importantes



PRECAUÇÕES PARA EVITAR UMA POSSÍVEL EXPOSIÇÃO A ENERGIA DE MICRO-ONDAS EXCESSIVA

- Não tente operar este forno com a porta aberta, pois isso pode resultar em exposição prejudicial à energia de micro-ondas. É importante não quebrar nem violar os bloqueios de segurança.
- Não coloque nenhum objeto entre a parte frontal do forno e a porta, nem deixe que sujidade ou resíduos de agentes de limpeza se acumulem sobre as superfícies vedantes.
- **AVISO:** Se a porta ou os vedantes da porta estiverem danificados, o forno não deve ser operado até ter sido reparado por uma pessoa competente.

AVISO DE INSTRUÇÕES DE SEGURANÇA IMPORTANTES

Para reduzir o risco de incêndio, choque elétrico, ferimentos a pessoas ou exposição a energia excessiva do forno de micro-ondas ao usar o seu aparelho, siga as precauções básicas, incluindo as seguintes:

- Leia e siga as instruções específicas: “PRECAUÇÕES PARA EVITAR UMA POSSÍVEL EXPOSIÇÃO A ENERGIA EXCESSIVA DOS MICRO-ONDAS”.
- Este aparelho pode ser utilizado por crianças de idade igual ou superior a 8 anos e por pessoas com capacidades físicas, sensoriais ou mentais reduzidas ou falta de experiência e conhecimento, caso lhes tenha sido fornecida supervisão ou instruções relativas à utilização do aparelho de forma segura e desde que compreendam os perigos envolvidos. As crianças não devem brincar com o aparelho. A limpeza e manutenção pelo utilizador não devem ser realizadas por crianças sem supervisão.
- Mantenha o aparelho e o cabo fora do alcance de crianças com menos de 8 anos.
- Se o cabo de alimentação estiver danificado, tem de ser substituído pelo fabricante, pelo agente de serviço ou por pessoas igualmente qualificadas de forma a evitar o perigo.
- AVISO: Certifique-se de que o aparelho está desligado antes de substituir a lâmpada, para evitar a possibilidade de choques elétricos.
- AVISO: É perigoso para qualquer pessoa que não seja uma pessoa competente efetuar qualquer operação de serviço ou reparação que envolva a remoção de uma tampa que ofereça proteção contra exposição à energia de micro-ondas.
- AVISO: Líquidos e alimentos não devem ser aquecidos em recipientes fechados, uma vez que são suscetíveis de explodir.
- Ao aquecer os alimentos em recipientes de plástico ou de papel, fique atento ao forno devido à possibilidade de ignição.

- Use apenas utensílios adequados para utilização em fornos micro-ondas.
- Se estiver a sair fumo, desligue ou desconecte o aparelho e mantenha a porta fechada para abafar qualquer chama.
- O aquecimento de bebidas no micro-ondas pode resultar em ebulição eruptiva tardia, portanto, deve ter-se cuidado ao manusear o recipiente.
- O conteúdo dos biberões e da comida para bebé em frascos deve ser mexido ou abanado, e a sua temperatura deve ser verificada antes do consumo de forma a evitar queimaduras.
- Os ovos com casca e ovos cozidos inteiros não devem ser aquecidos em fornos micro-ondas porque podem explodir, mesmo depois de o aquecimento no micro-ondas ter terminado.
- Detalhes para a limpeza dos vedantes das portas, cavidades e peças adjacentes.
- O forno deve ser limpo regularmente e quaisquer depósitos de alimentos removidos.
- A falta de manutenção do forno numa condição limpa pode provocar uma deterioração da superfície suscetível de afetar negativamente a vida útil do aparelho e eventualmente resultar numa situação perigosa.
- Utilize apenas a sonda de temperatura recomendada para este forno. (Para fornos fornecidos com uma instalação para utilizar uma sonda de compensação de temperatura).
- O forno micro-ondas deve ser operado com a porta decorativa aberta. (Para fornos com uma porta decorativa).
- Este aparelho destina-se a ser utilizado em meio doméstico e aplicações semelhantes tais como:

- áreas de cozinha em lojas, escritórios e outros ambientes de trabalho;
- por clientes em hotéis, motéis e outros ambientes de tipo residencial;
- quintas;
- ambientes de tipo alojamento e pequeno-almoço.
- O forno micro-ondas destina-se a aquecer alimentos e bebidas. Secar alimentos, peças de roupa e aquecer almofadas térmicas, chinelos, esponjas, panos húmidos e similares pode causar riscos de lesão, ignição ou incêndio.
- Não é permitido utilizar recipientes metálicos para alimentos e bebidas no micro-ondas.
- O aparelho não deve ser limpo com um aparelho de limpeza a vapor.
- Este aparelho não pode ser instalado atrás de uma porta decorativa de forma a evitar sobreaquecimento. (Isto não se aplica a aparelhos com porta decorativa).
- O forno de micro-ondas destina-se a ser utilizado encastrado.
- O aparelho deve ser operado com qualquer porta de armário aberta.
- Deve ter-se cuidado para não deslocar o prato giratório ao retirar os recipientes do aparelho. (Para aparelhos fixos e aparelhos de encastrar cujos aparelhos sejam iguais ou superiores a 900mm acima do piso e que tenham pratos giratórios amovíveis. Mas isto não se aplica aos aparelhos com porta com dobradiça horizontal em baixo).
- A superfície de uma gaveta de armazenamento pode ficar quente.
- Não use produtos de limpeza abrasivos ou raspadores afiados de metal para limpar o vidro da porta do forno,

uma vez que podem arranhar a superfície, o que pode fazer estalar o vidro.

- **AVISO:** O aparelho e peças acessíveis ficam quentes durante a utilização. Deve ter-se cuidado para evitar tocar nas resistências. As crianças com menos de 8 anos devem ser mantidas afastadas, a menos que supervisionadas continuamente.
- Durante e após a utilização, o aparelho torna-se quente. Deve ter-se cuidado para evitar tocar nas resistências dentro do forno.
- **AVISO:** As partes acessíveis podem ficar quentes durante e após a utilização. As crianças pequenas devem ser mantidas afastadas.
- **AVISO:** Quando o aparelho é operado no modo combinado, as crianças apenas devem utilizar o forno sob supervisão adulta devido às temperaturas geradas.

PARA REDUZIR O RISCO DE LESÃO É NECESSÁRIO LIGAR À TERRA

PERIGO

- Perigo de Choque Elétrico
- Tocar em alguns dos componentes internos pode provocar lesão grave ou morte. Não desmontar este aparelho.

AVISO

- Perigo de Choque Elétrico
- O uso indevido da ligação à terra pode resultar em choque elétrico. Não ligue a uma tomada até que o aparelho esteja instalado e ligado à terra.

- Este aparelho tem de estar ligado à terra. No caso de um curto-circuito elétrico, a ligação à terra reduz o risco de choque elétrico, fornecendo um fio de escape para a corrente elétrica.
- Este aparelho está equipado com um cabo que possui um fio de terra com uma tomada de ligação à terra. A ficha deve ser ligada a uma tomada corretamente instalada e ligada à terra.
- Consulte um electricista qualificado ou técnico se as instruções de ligação à terra não estiverem completamente compreendidas ou se existirem dúvidas sobre se o aparelho está corretamente ligado à terra.
- Se for necessário utilizar um cabo de extensão, utilize apenas um cabo de extensão de 3 fios.
 - É fornecido um curto cabo de alimentação para reduzir os riscos resultantes de se enredar ou tropeçar num cabo comprido.
 - Se for utilizado um conjunto de cabos ou cabo de extensão:
 - A classificação elétrica marcada do conjunto de cabo ou extensão deve ser igual ou superior à classificação elétrica do aparelho.
 - O cabo de extensão deve ter 3 fios e ligação à terra.
 - O cabo comprido deve ser disposto de modo a não ficar dobrado sobre a bancada ou tampo de mesa onde possa ser puxado por crianças ou fazer com que as pessoas tropecem.

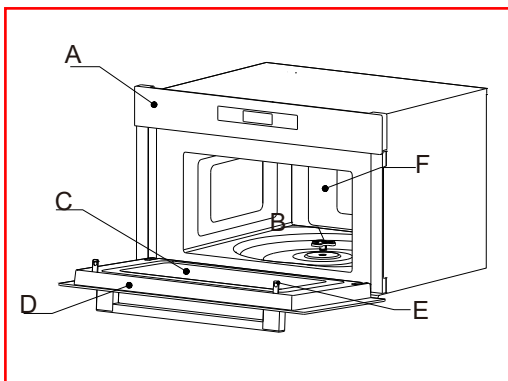
Materiais que pode usar no forno micro-ondas

Utensílios	Comentários
Prato para micro-ondas	Siga as instruções do fabricante. O fundo do prato deve ficar a pelo menos 3/16 polegadas (5 mm) acima do prato giratório. O uso incorreto pode fazer com que o prato giratório quebre.
Loiça	Apenas para micro-ondas. Siga as instruções do fabricante. Não use pratos rachados ou com falhas.
Taças de vidro	Remova sempre a tampa. Utilize apenas para aquecer alimentos. A maioria dos frascos de vidro não é resistente ao calor e pode quebrar.
Artigos de vidro	Apenas artigos de vidro para forno resistentes ao calor. Certifique-se de que não há qualquer decoração de metal. Não use pratos rachados ou com falhas.
Sacos para cozinhar no forno	Siga as instruções do fabricante. Não feche com atilho de metal. Faça fendas para permitir que o vapor se liberte.
Pratos e copos de papel	Utilizar apenas para cozinhar/aquecer durante pouco tempo. Não deixe o forno sem vigilância durante a cozedura.
Toalhas de papel	Use para cobrir alimentos para reaquecer e absorver a gordura. Use com supervisão apenas para cozinhar a curto prazo.
Papel manteiga	Use como cobertura para evitar salpicar ou como uma película para vapor.
Plástico	Apenas para micro-ondas. Siga as instruções do fabricante. Deve ter a etiqueta "Seguro para Micro-ondas". Alguns recipientes de plástico amolecem, à medida que a comida aquece. Os "sacos para cozer" e sacos de plástico estanques devem ser cortados, perfurados ou ventilados consoante indicado na embalagem.
Película de plástico	Apenas para micro-ondas. Use para cobrir alimentos durante a cozedura para reter a humidade. Não permita que a película de plástico toque na comida.
Termómetros	Apenas seguro para micro-ondas (termómetros para carne e doces).
Papel de cera	Use como cobertura para evitar salpicar ou reter humidade.

Materiais a ser evitados no forno micro-ondas

Utensílios	Comentários
Bandeja de alumínio	Pode causar arco. Transfira os alimentos para um prato seguro para micro-ondas.
Caixa de cartão com pega de metal para alimentos	Pode causar arco. Transfira os alimentos para um prato seguro para micro-ondas.
Utensílios de metal ou com decoração de metal	O metal blinda os alimentos da energia do micro-ondas. Uma decoração de metal pode causar arco.
Atilhos de metal	Podem provocar arco e pode causar um incêndio no forno.
Sacos de papel	Pode provocar um incêndio no forno.
Espuma de plástico	A espuma de plástico pode derreter ou contaminar o líquido no interior quando exposta a altas temperaturas.
Madeira	A madeira secará quando utilizada no forno micro-ondas e pode rachar ou quebrar.

Descrição do produto



- A) Painel de controlo
- B) Eixo do prato giratório
- C) Janela de observação
- D) Montagem da porta
- E) Sistema de bloqueio de segurança
- F) Cavidade do forno



ACESSÓRIOS

Remova o forno e todos os materiais da caixa de cartão e da cavidade do forno. O seu forno é fornecido com os seguintes acessórios:



Bandeja de Vidro

Montagem do anel do prato giratório

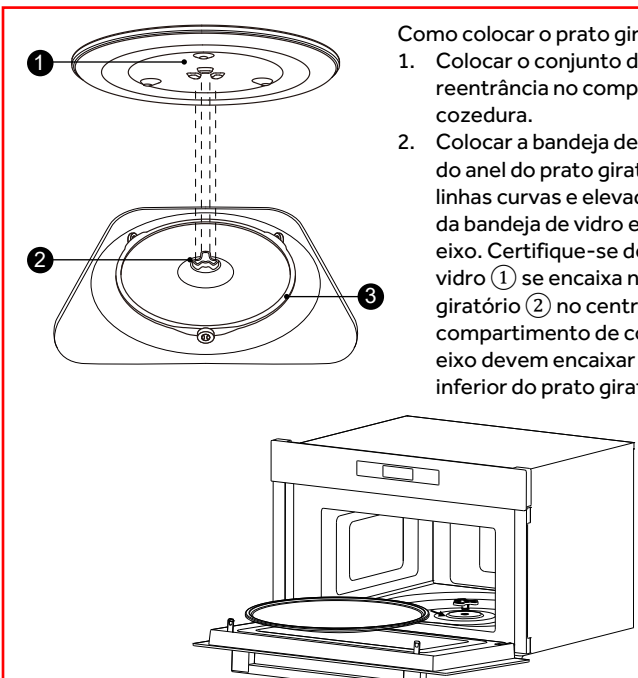
Manual de Instruções

Eixo do prato giratório

Suporte de Arame Superior. (Para grelhar, por exemplo, bifes, salsichas e para torrar pão. Como apoio para pratos pouco profundos).

INSTALAÇÃO DO PRATO GIRATÓRIO

Limpar o compartimento de cozedura e colocar o prato giratório no seu lugar. Para novas instalações, certifique-se de que todas as embalagens e fitas de transporte foram removidas do eixo do prato giratório. Antes de utilizar o aparelho para preparar alimentos pela primeira vez, terá de colocar corretamente o prato giratório. Tem de limpar o compartimento de cozedura e os acessórios.



Como colocar o prato giratório no lugar:

1. Colocar o conjunto do prato giratório (3) na reentrância no compartimento de cozedura.
2. Colocar a bandeja de vidro (1) no conjunto do prato giratório (3). Encaixar as linhas curvas e elevadas no centro do fundo da bandeja de vidro entre os três raios do eixo. Certifique-se de que a bandeja de vidro (1) se encaixa no eixo do prato giratório (2) no centro do piso do compartimento de cozedura. Os rolos no eixo devem encaixar no interior do rebordo inferior do prato giratório.





Nota:

1. Nunca utilizar o aparelho sem o prato giratório. Certificar-se de que está devidamente engatado. O prato giratório pode rodar no sentido dos ponteiros do relógio ou no sentido contrário.
2. Nunca coloque a bandeja de vidro voltada para baixo. A bandeja de vidro nunca deve estar restringida.
3. Deve utilizar-se sempre a bandeja de vidro e prato giratório em conjunto durante a cozedura.
4. Alguns alimentos e recipientes de alimentos são sempre colocados na bandeja de vidro para cozinhar.
5. Nunca restringir o movimento do prato giratório.
6. Se a bandeja de vidro ou o anel do prato giratório se rachar ou quebrar, entre em contato com o seu centro de serviço autorizado mais próximo.

Como funciona o produto

PAINEL DE CONTROLO



Símbolo	Função
	Micro-ondas
	Função
	Relógio/Temporizador de cozinha
	Menu Automático
	Bloquear/Cancelar
	Iniciar/+30Sec./Confirmar

Utilização do aparelho

FUNCIONAMENTO

Nome	Descrição												
Acertar o relógio	<ol style="list-style-type: none">(1) Prima "Relógio/Temporizador de Cozinha" uma vez e, em seguida, aparece "00:00".(2) Mova o cursor ou prima "+" ou "-" para definir as horas. O tempo deve situar-se entre 0-23.(3) Prima "Relógio/Temporizador de Cozinha" para confirmar.(4) Mova o cursor ou prima "+" ou "-" para definir os minutos. O tempo deve situar-se entre 0-59.(5) Prima "Relógio/Temporizador de Cozinha" para confirmar.												
Temporizador de Cozinha	<ol style="list-style-type: none">(1) Prima "Relógio/Temporizador de Cozinha" duas vezes e, em seguida, aparece "00:00".(2) Mova o cursor ou prima "+" ou "-" para acertar a hora. A hora deve ser entre 0:05 ~ 95:00.(3) Prima "Iniciar/+30Sec./Confirmar" para confirmar.												
Micro-ondas	<table border="1"><thead><tr><th>Nível de potência</th><th>100%</th><th>80%</th><th>50%</th><th>30%</th><th>10%</th></tr></thead><tbody><tr><td>Visor</td><td>P10</td><td>P8</td><td>P5</td><td>P3</td><td>P1</td></tr></tbody></table> <ol style="list-style-type: none">(1) Em estado de espera, prima "Micro-ondas" e, em seguida, aparece "P10".(2) Prima "Micro-ondas" repetidamente para ajustar o nível de potência, estão disponíveis 5 níveis de potência.(3) Mova o cursor ou prima "+" ou "-" para definir o tempo de cozedura.(4) Prima "Iniciar/+30Sec./Confirmar" para começar a cozinhar.	Nível de potência	100%	80%	50%	30%	10%	Visor	P10	P8	P5	P3	P1
Nível de potência	100%	80%	50%	30%	10%								
Visor	P10	P8	P5	P3	P1								
Grelhador	<ol style="list-style-type: none">(1) Prima "Função" uma vez e, em seguida, aparece "G-1".(2) Mova o cursor ou prima "+" ou "-" para definir o tempo de cozedura.(3) Prima "Iniciar/+30Sec./Confirmar" para começar a cozinhar. <p>Nota: Após passar metade do tempo, a campainha irá soar para o recordar de virar os alimentos. Se não efetuar nenhuma ação, o forno continua a funcionar.</p>												

<p style="text-align: center;">Combinação</p>	<p>(1) Prima "Função" uma vez e, em seguida, aparece "G-1". Prima "Função" repetidamente para selecionar a potência que deseja, e "C-1", "C-2" aparecerá por ordem. </p> <p>(2) Mova o cursor ou prima "+" ou "-" para definir o tempo de cozedura.</p> <p>(3) Prima "Iniciar/+30Sec./Confirmar" para começar a cozinhar.</p> <p>Nota: Instruções de combinação</p> <table border="1" style="width: 100%; border-collapse: collapse;"> <thead> <tr> <th style="width: 15%;">Instruções</th> <th style="width: 15%;">Visor</th> <th style="width: 15%;">Micro-ondas</th> <th style="width: 15%;">Grelhador</th> <th style="width: 15%;"></th> </tr> </thead> <tbody> <tr> <td style="text-align: center;">1</td> <td style="text-align: center;">C-1</td> <td style="text-align: center;">55%</td> <td style="text-align: center;">45%</td> <td style="border: 1px solid red; width: 40px;"></td> </tr> <tr> <td style="text-align: center;">2</td> <td style="text-align: center;">C-2</td> <td style="text-align: center;">36%</td> <td style="text-align: center;">64%</td> <td></td> </tr> </tbody> </table>	Instruções	Visor	Micro-ondas	Grelhador		1	C-1	55%	45%		2	C-2	36%	64%	
Instruções	Visor	Micro-ondas	Grelhador													
1	C-1	55%	45%													
2	C-2	36%	64%													
<p style="text-align: center;">Descongela por Peso</p>	<p>(1) Prima "Função" duas vezes e, em seguida, aparece "0,1kg" no ecrã. </p> <p>(2) Mova o cursor ou prima "+" ou "-" para definir o peso. Deve estar dentro de 100-2000g.</p> <p>(3) Prima "Iniciar/+30Sec./Confirmar" para iniciar a descongelação.</p>															
<p style="text-align: center;">Descongela por Tempo</p>	<p>(1) Prima "Função" três vezes e, em seguida, aparece "1:00" no ecrã. </p> <p>(2) Mova o cursor ou prima "+" ou "-" para definir o tempo.</p> <p>(3) Prima "Iniciar/+30Sec./Confirmar" para iniciar a descongelação.</p> <p>Nota: Quando tiver decorrido metade do tempo de descongelação, ouve-se o sinal sonoro, vire a comida. Se não efetuar nenhuma ação, o forno continua a funcionar.</p>															
<p style="text-align: center;">Cozinha rápida</p>	<p>(1) Em estado de espera, prima "Iniciar/+30Sec./Confirmar" para cozinhar alimentos com 100% de nível de potência durante 30 segundos. Cada pressão na mesma tecla pode aumentar 30 segundos e o valor de tempo máximo é de 95 minutos.</p> <p>Nota: A cozedura rápida não pode ser definida em descongelação por peso, multi-fase e menu automático.</p>															

<p>Trinco para crianças</p>	<p>Pode utilizar esta função para evitar que as crianças liguem acidentalmente o forno. Para ativar o trinco: Em estado de espera, prima e mantenha "Bloquear/Cancelar" durante três segundos. Ouve-se um longo sinal sonoro e o ícone de bloqueado será exibido. Para desativar o trinco: Em estado de bloqueio, prima e mantenha "Bloquear/Cancelar" durante três segundos. Ouve-se um sinal sonoro longo.</p>
<p>Função Inquirir</p>	<p>(1) Se o relógio tiver sido ajustado, a hora atual será exibida durante três segundos premindo "Relógio/Temporizador de Cozinha" no estado de cozedura.</p>
<p>Menu Automático</p>	<p>(1) Em estado de espera, prima "Menu Automático", o ecrã exibirá "A-1". (2) Prima "Menu Automático" repetidamente para escolher o menu de que necessita. Estão disponíveis 8 menus automáticos. (3) Mova o cursor ou prima "+" ou "-" para definir o peso dos alimentos. (4) Prima "Iniciar/+30Sec./Confirmar" para começar a cozinhar.</p>

TABELA DE MENUS AUTOMÁTICOS

Menu	Peso (g)	Visor	Energia
A-1 BATATA	1 (cerca de 230 g)	1	P100
	2 (cerca de 460 g)	2	
	3 (cerca de 690 g)	3	
A-2 CARNE	150 g	150 g	P80
	300 g	300 g	
	450 g	450 g	
	600 g	600 g	
A-3 PEIXE	150 g	150 g	P80
	250 g	250 g	
	350 g	350 g	
	450 g	450 g	
	650 g	650 g	
A-4 VEGETAIS	150 g	150 g	P100
	350 g	350 g	
	500 g	500 g	
A-5 BEBIDAS	1 chávena (240 g)	1	P100
	2 chávenas (480 g)	2	
	3 chávenas (720 g)	3	
A-6 MASSAS	50 g (água fria 450 g)	50 g	P80
	100 g (água fria 800 g)	100 g	
	150 g (água fria 1200 g)	150 g	
A-7 FIPOCAS	100 g	100 g	P100
A-8 PIZZA	200 g	200 g	P100+G-1
	400 g	400 g	

Limpeza e manutenção

Certifique-se de desligar o aparelho da fonte de alimentação.

1. Limpe a cavidade do forno depois de usar com um pano ligeiramente húmido.
2. Limpe os acessórios da maneira habitual com água e sabão.
3. A estrutura da porta, o vedante e as partes adjacentes devem ser limpos cuidadosamente com um pano húmido quando estiverem sujos.
4. Não use produtos de limpeza abrasivos ou raspadores afiados de metal para limpar o vidro da porta do forno, uma vez que podem arranhar a superfície, o que pode fazer estalar o vidro.
5. Dica de limpeza---Para uma limpeza mais fácil das paredes da cavidade nas quais os alimentos cozidos podem tocar: Coloque meio limão numa tigela, adicione 300 ml de água e aqueça com a potência do micro-ondas a 100% durante 10 minutos. Limpe o forno com um pano macio e seco.

Proteção do ambiente e eliminação

RESOLUÇÃO DE PROBLEMAS

Normal	
Forno micro-ondas a interferir com a receção de TV	A receção de rádio e TV pode sofrer interferência durante o funcionamento do forno micro-ondas. É semelhante à interferência de pequenos aparelhos elétricos, como misturador, aspirador de pó e ventilador elétrico. Isto é normal.
Luz do forno fraca	Quando se cozinha no micro-ondas a baixa potência, a luz do forno pode tornar-se fraca. Isto é normal.
Vapor a acumular na porta, ar quente a sair pelas aberturas	Durante a confeção, pode sair vapor dos alimentos. A maioria do vapor vai sair pelas aberturas. Embora algum se possa acumular num local fresco, como a porta do forno. Isto é normal.
O forno foi iniciado de forma acidental sem alimentos no seu interior.	É proibido colocar o aparelho em funcionamento sem quaisquer alimentos no seu interior. Isto é muito perigoso.

Problema	Causa possível	Solução
Não é possível iniciar o forno.	(1) O cabo de alimentação não está devidamente ligado.	Desligue. Em seguida, volte a ligar após 10 segundos.
	(2) Fusível fundido ou acionamento do disjuntor.	Substituir o fusível ou repor o disjuntor (reparação por pessoal profissional da nossa empresa)
	(3) Problema com a tomada.	Teste a tomada com outros aparelhos elétricos.
O forno não aquece.	(4) A porta não está bem fechada.	Feche bem a porta.



De acordo com a diretiva relativa aos resíduos de equipamentos elétricos e eletrónicos (REEE), os REEE devem ser recolhidos e tratados separadamente. Se a qualquer momento no futuro precisar de eliminar este produto por favor não elimine este produto com o lixo doméstico. Por favor, envie este produto para os pontos de recolha de REEE quando disponível.

Instalação

INSTALAÇÃO E CONEXÃO

1. Este aparelho destina-se apenas a utilização doméstica.
2. Este forno destina-se apenas a uma utilização encastrada. Não se destina a utilização em bancada ou a utilização dentro de um armário.
3. Observe as instruções especiais de instalação.
4. O aparelho pode ser instalado num armário montado na parede de 60 cm.
5. O aparelho está equipado com uma ficha e só deve ser ligado a uma tomada de terra devidamente instalada.
6. A tensão da rede deve corresponder à tensão especificada na placa de classificação.
7. A tomada deve ser instalada e o cabo de conexão apenas deve ser substituído por um electricista qualificado. Se a ficha deixar de ser acessível após a instalação, um dispositivo de desconexão de todos os polos tem de estar presente no lado da instalação com uma folga de contato de, pelo menos, 3 mm.
8. Adaptadores, tiras múltiplas vias e cabos de extensão não devem ser usados. A sobrecarga pode resultar em risco de incêndio.

A superfície acessível pode estar quente durante e após o funcionamento.



FORNO ENCASTRADO

Modelo: **HWO38MG2BHxBD / HWO38MG2IHxBD**

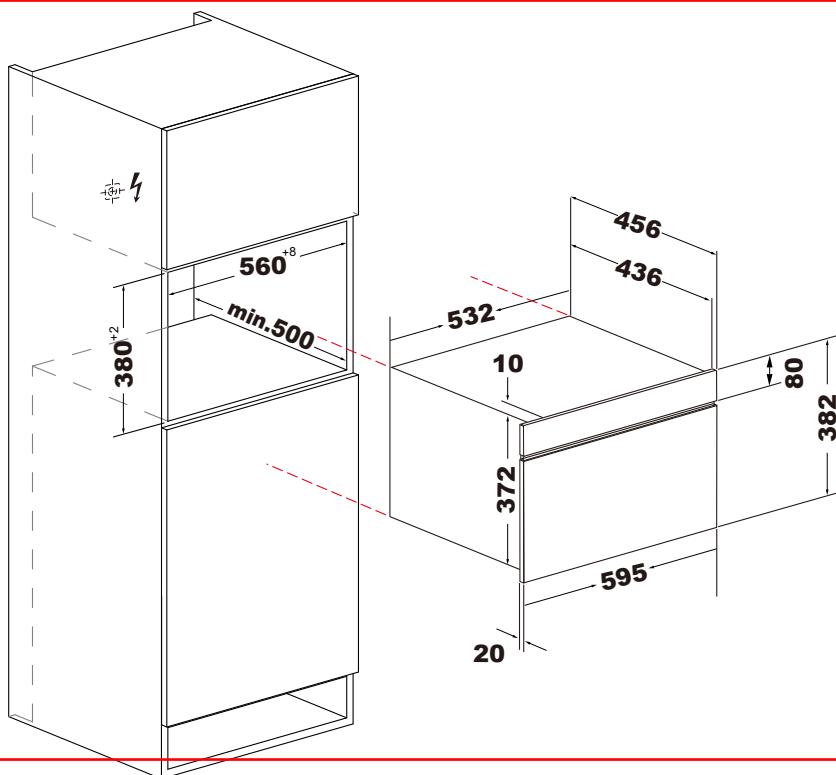
INSTALAÇÃO

As dimensões em anexo são em mm.

As unidades em que o aparelho é instalado devem ser resistentes ao calor até 95 °C.

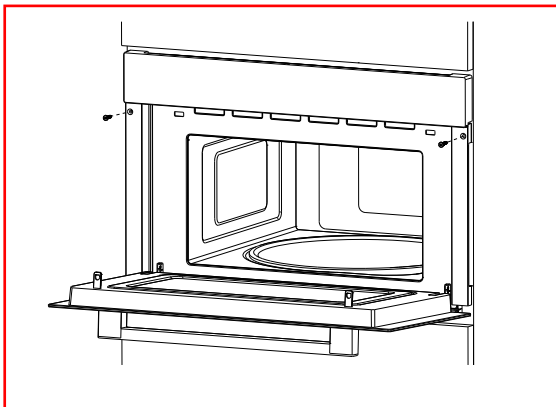
A altura mínima de instalação é de 850 mm.

Não use sob uma superfície de trabalho e não despeje do recipiente na superfície onde o aparelho está conectado.



Encastrar

- Não segurar nem transportar o aparelho pela pega da porta. A pega da porta não aguenta o peso do aparelho e pode partir-se.
1. Empurre cuidadosamente o micro-ondas para dentro da cavidade, certificando-se de que está no centro.
 2. Abra a porta e aperte o micro-ondas com os parafusos que foram fornecidos.



- Insira completamente o aparelho e centre-o.
- Não dobre o cabo de conexão.
- Aparafuse o aparelho no lugar.

Informação importante com ficha

Ligação elétrica

O aparelho está equipado com uma ficha e só deve ser ligado a uma tomada de terra devidamente instalada. Apenas um electricista qualificado que tenha em conta os regulamentos apropriados pode instalar a tomada ou substituir o cabo de conexão. Se a ficha deixar de estar acessível após a instalação, tem de estar presente um interruptor de isolamento de todos os polos no lado da instalação com uma folga de contacto de, no mínimo, 3 mm.

A proteção contra contacto deve ser assegurada pela instalação.

Proteção dos fusíveis: ver instruções de utilização - dados técnicos.

Informação importante sem ficha

O aparelho foi concebido para ser permanentemente instalado com um cabo de alimentação de três pinos e só pode ser ligado por um perito licenciado, de acordo com o diagrama de conexão.

Apenas um electricista qualificado que tenha em conta os regulamentos relevantes pode substituir o cabo de alimentação. Não utilize fichas múltiplas nem extensões de tomadas. A sobrecarga causa um risco de incêndio.

Se a conexão já não for acessível após a instalação, deve ser fornecido um interruptor de isolamento de pinos com uma abertura de contacto de pelo menos 3 mm.

Conectar os fios do cabo de alimentação elétrica de acordo com o seguinte código de cores:

Verde e amarelo Fio de terra < (E)

Azul Fio neutro (N)

Castanho Com corrente (L)

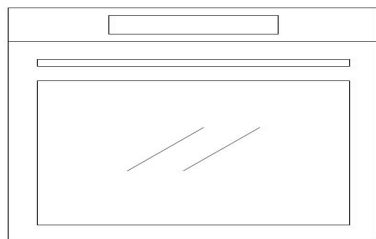
Grã-Bretanha e Austrália:

Não ligue o aparelho com uma ficha 13 A ou protegê-lo com um fusível 13 A. O aparelho deve ser protegido com um fusível com uma classificação de 16 A ou superior. O aparelho deve ser desligado da fonte de alimentação durante todos os trabalhos de instalação.

Quando o aparelho é instalado, deve ser fornecida proteção contra contacto acidental no futuro.

Haier

Priručnik za korisnika



CANDY HOOVER GROUP – Via Comolli 16, Brugherio – Italija

Sadržaj

159	Važne bezbednosne napomene
166	Opis proizvoda
168	Kako proizvod radi
169	Upotreba uređaja
173	Čišćenje i održavanje
174	Zaštita životne sredine i odlaganje na otpad
175	Montaža

Poštovani korisniče,

Želimo da vam se zahvalimo i čestitamo na izboru. Ovaj novi proizvod je pažljivo dizajniran i izrađen upotrebom visokokvalitetnih materijala i temeljno testiran kako bi se osiguralo da ispunjava sve vaše kulinarske zahteve.

Pročitajte i pridržavajte se ovih jednostavnih uputstava, koja će vam omogućiti da postignete odlične rezultate od prve upotrebe. Ovaj najsavremeniji uređaj vam isporučujemo sa našim najboljim željama.

Važne bezbednosne napomene



MERE PREDOSTROŽNOSTI KAKO BI SE IZBEGLO MOGUĆE IZLAGANJE PRETERANOJ MIKROTALASNOJ ENERGIJI

- Ne pokušavajte da koristite ovu pećnicu sa otvorenim vratima jer to može dovesti do štetnog izlaganja mikrotalasnoj energiji. Važno je da ne razbijete ili neovlašćeno menjate sigurnosne blokade.
- Ne stavljajte nikakav predmet između prednje strane pećnice i vrata i ne dozvolite da se prljavština ili ostaci sredstva za čišćenje natalože na zaptivnim površinama.
- **UPOZORENJE:** Ako su vrata ili zaptivke na vratima oštećene, nije dozvoljeno rukovati pećnicom dok je ne popravi stručna osoba.

VAŽNO UPOZORENJE O BEZBEDNOSNIM UPUTSTVIMA

Da biste smanjili rizik od požara, strujnog udara, povreda ili izloženosti prekomernoj energiji mikrotalasne pećnice prilikom korišćenja uređaja, pratite osnovne mere predostrožnosti, uključujući sledeće:

- Pročitajte i pratite određene: „MERE PREDOSTROŽNOSTI KAKO BI SE IZBEGLO MOGUĆE IZLAGANJE PREKOMERNOJ MIKROTALASNOJ ENERGIJI“.
- Ovaj uređaj smeju da koriste deca uzrasta od 8 godina i osobe sa smanjenim fizičkim, čulnim ili mentalnim sposobnostima ili nedostatkom iskustva i znanja, ako su pod nadzorom ili ako imaju na raspolaganju uputstva u vezi sa upotrebom uređaja na bezbedan način i ako razumeju opasnosti koje su uključene. Deca ne smeju da se igraju uređajem. Čišćenje i održavanje od strane korisnika ne smeju da vrše deca bez nadzora.
- Držite uređaj i njegov kabl van domašaja dece mlađe od 8 godina.
- Ako je mrežni kabl oštećen, mora da ga zameni proizvođač, radnik servisne službe ili slično kvalifikovana lica kako bi se izbegla opasnost.
- UPOZORENJE: Uverite se da je uređaj isključen pre zamene lampe kako bi se izbegla mogućnost strujnog udara.
- UPOZORENJE: Opasno je da bilo ko osim stručnog lica vrši bilo koji servis ili popravku koji uključuju skidanje poklopca koji pruža zaštitu od izlaganja mikrotalasnoj energiji.
- UPOZORENJE: Tečnosti i hrana ne smeju da se zagrevaju u zatvorenim posudama jer mogu eksplodirati.
- Prilikom zagrevanja hrane u plastičnim ili papirnim posudama, pazite na pećnicu zbog mogućnosti paljenja.
- Koristite samo posuđe koje je pogodno za upotrebu u mikrotalasnim pećnicama.

- Ako se pojavljuje dim, isključite ili iskopčajte uređaj iz struje i držite vrata zatvorena kako biste ugušili plamen.
- Mikrotalasno zagrevanje pića može dovesti do odloženog eruptivnog ključanja, stoga je potrebno voditi računa prilikom rukovanja posudom.
- Sadržaj bočica za hranjenje i teglica sa hranom za bebe mora biti promešan potresen. Potrebno je proveriti temperaturu pre konzumiranja, kako biste izbegli opekotine.
- Jaja u ljusci i cela tvrdo kuvana jaja ne treba zagrejati u mikrotalasnim pećnicama jer mogu eksplodirati, čak i nakon završetka zagrevanja mikrotalasima.
- Detalji za čišćenje zaptivača vrata, šupljina i obližnjih delova.
- Pećnicu treba redovno čistiti i ukloniti sve naslage hrane.
- Neodržavanje pećnice čistom može dovesti do pogoršanja površine što bi mogla negativno uticati na radni vek uređaja i eventualno dovesti do opasne situacije.
- Koristite samo temperaturnu sondu koja se preporučuje za ovu rernu. (Za rerne opremljene funkcijom za upotrebu sonde za očitavanje temperature).
- Mikrotalasna pećnica mora da radi sa otvorenim dekorativnim vratima. (Za rerne sa dekorativnim vratima).
- Ovaj uređaj je namenjen za korišćenje u domaćinstvu i sličnim primenama kao što su:

- kuhinjske prostorije za osoblje u okviru prodavnica, kancelarija ili drugih radnih prostorija;
 - od strane klijenata u hotelima, motelima i drugim okruženjima stambenog tipa;
 - kuće na farmama;
 - okruženja tipa noćenja sa doručkom.
- Mikrotalasna pećnica je namenjena za zagrevanje hrane i pića. Sušenje hrane ili odeće i zagrevanje jastučića za zagrevanje, papuča, sunđera, vlažne krpe i slično može dovesti do rizika od povreda, paljenja ili požara.
 - Metalne posude za hranu i piće nisu dozvoljeni tokom kuvanja u mikrotalasnoj pećnici.
 - Nije dozvoljeno čistiti uređaj parnim čistačem.
 - Uređaj ne sme da se ugrađuje iza dekorativnih vrata kako bi se izbeglo pregrevanje. (Ovo se ne primenjuje za uređaje sa dekorativnim vratima.)
 - Mikrotalasna pećnica je predviđena za ugradnju.
 - Uređaj mora da radi sa otvorenim bilo kojim vratima pregrade.
 - Treba voditi računa da se okretno postolje ne pomeri prilikom uklanjanja posuda iz uređaja. (Za fiksne i ugrađene uređaje koji se koriste na 900 mm iznad poda ili na većoj visini imaju odvojivo okretno postolje. Međutim, to nije primenljivo za uređaje sa horizontalnim vratima sa šarkama sa donje strane).
 - Površina fioke za skladištenje može da se zagreje.
 - Nemojte koristiti oštra abrazivna sredstva za čišćenje ili oštre metalne strugače za čišćenje stakla vrata pećnice jer mogu ogrebat površinu, što može dovesti do pucanja stakla.

- **UPOZORENJE:** Uređaj i njegovi dostupni delovi postaju vrući tokom upotrebe. Vodite računa da ne dodirnete grejne elemente. Deca mlađa od 8 godina moraju se držati podalje, osim u slučaju kontinuiranog nadzora.
- Uređaj postaje vruć tokom i nakon upotrebe. Vodite računa da ne dodirnete grejne elemente unutar pećnice.
- **UPOZORENJE:** Dostupni delovi mogu da se zagreju tokom i nakon upotrebe. Držati dalje od male dece.
- **UPOZORENJE:** Kada uređaj radi u kombinovanom režimu, deca treba da koriste rernu samo pod nadzorom odraslih osoba zbog generisanih temperatura.

UZEMLJITE INSTALACIJU DA BISTE SMANJILI RIZIK OD POVREDA LICA

OPASNOST

- Opasnost od strujnog udara
- Dodirivanje nekih unutrašnjih komponenti može izazvati ozbiljne povrede ili smrt. Ne rasklapajte ovaj uređaj.

UPOZORENJE

- Opasnost od strujnog udara
- Nepravilna upotreba uzemljenja može dovesti do strujnog udara. Nemojte priključiti u utičnicu dok uređaj nije pravilno postavljen i uzemljen.
- Ovaj uređaj mora biti uzemljen. U slučaju strujnog kratkog spoja, uzemljenje smanjuje rizik od strujnog udara obezbeđujući žicu za odvođenje električne energije.
- Ovaj uređaj je opremljen kablom koji ima žicu za uzemljenje sa utikačem za uzemljenje. Utikač mora biti

priključen u utičnicu koja je pravilno postavljena i uzemljena.

- Obratite se kvalifikovanom električaru ili serviseru ako uputstva za uzemljenje nisu u potpunosti razumljiva ili ako postoji sumnja da li je uređaj pravilno uzemljen.
- Ako je potrebno koristiti produžni kabl, koristite samo 3-žilni produžni kabl.
 - Kratak kabl za napajanje je obezbeđen kako bi se smanjili rizici koji proizilaze iz uplitanja ili saplitanja preko dužeg kabla.
 - Ako se komplet dugih kablova ili produžni kabl:
 - Označena električna klasa kompleta kablova ili produžnog kabla treba da bude najmanje jednaka kao električna klasa uređaja.
 - Produžni kabl mora biti 3-žilni kabl uzemljenog tipa.
 - Dugi kabl treba da bude postavljen tako da se neće zavijati preko pulta ili gornje ploče stola gde ga deca mogu povući ili se slučajno spotaknuti.

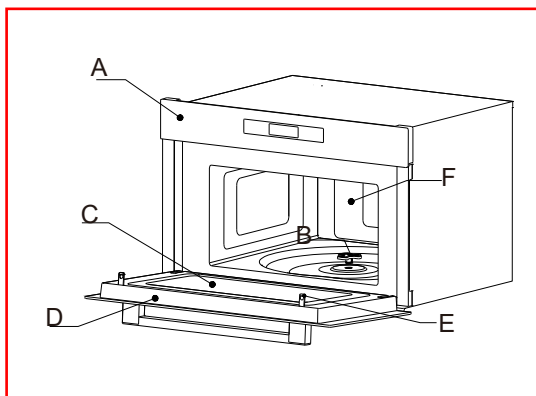
Materijali koje možete koristiti u mikrotalasnoj pećnici

Pribor	Napomene
Pekač	Pratite uputstva proizvođača. Dno pekača mora biti najmanje 3/16 inča (5mm) iznad okretnog postolja. Nepravilna upotreba može prouzrokovati pucanje okretnog postolja.
Posuđe	Samo koje je pogodno za upotrebu u mikrotalasnoj pećnici. Pratite uputstva proizvođača. Nemojte koristiti napuklo ili okrnjeno posuđe.
Staklene tegle	Uvek skinite poklopac. Koristite samo za zagrevanje hrane dok se malo zagreje. Većina staklenih tegli nisu otporne na toplotu i mogu pući.
Stakleno posuđe	Samo stakleno posuđe otporno na toplotu pećnice. Uverite se da nema metalnih ukrasa. Nemojte koristiti napuklo ili okrnjeno posuđe.
Kese za kuvanje u pećnici	Pratite uputstva proizvođača. Ne zatvarajte metalnom vezicom. Napravite proreze kako biste omogućili izlazak pare.
Papirni tanjiri i čaše	Koristite samo za kratkoročno kuvanje/zagrevanje. Ne ostavljajte pećnicu bez nadzora dok kuvate.
Papirni ubrusi	Koristite za pokrivanje hrane za podgrevanje i upijanje masti. Koristite sa nadzorom samo za kratkoročno kuvanje.
Pergament papir	Koristite kao poklopac kako biste sprečili prskanje ili kao omot za kuvanje na pari.
Plastika	Samo koje je pogodno za upotrebu u mikrotalasnoj pećnici. Pratite uputstva proizvođača. Trebalo bi da ima oznaku „Bezbedno za mikrotalasnu pećnicu“. Neke plastične posude omekšavaju, jer hrana unutra postane vrela. „Kese za kuvanje“ i čvrsto zatvorene plastične kese treba prorezati, probiti ili otvoriti prema uputstvu na pakovanju.
Plastična folija	Samo koje je pogodno za upotrebu u mikrotalasnoj pećnici. Koristite za pokrivanje hrane tokom kuvanja kako biste zadržali vlagu. Nemojte dozvoliti da plastična folija dodiruje hranu.
Termometri	Samo bezbedni za mikrotalasnu pećnicu (termometri za meso i slatkiše).
Voštani papir	Koristite kao poklopac kako biste sprečili prskanje i zadržali vlagu.

Materijali koje treba izbegavati u mikrotalasnoj pećnici

Pribor	Napomene
Aluminijumske tacne	Može izazvati pojavu električnog luka. Prenesite hranu u posudu pogodnu za mikrotalasnu pećnicu.
Karton za hranu sa metalnom drškom	Može izazvati pojavu električnog luka. Prenesite hranu u posudu pogodnu za mikrotalasnu pećnicu.
Metalni ili pribor sa metalnim ukrasima	Metal štiti hranu od mikrotalasne energije. Metalni ukrasi mogu izazvati pojavu električnog luka.
Metalne vezice	Mogu izazvati pojavu električnog luka i dovesti do požara u pećnici.
Papirne kese	Mogu izazvati požar u pećnici.
Plastična pena	Plastična pena može da se istopi ili da kontaminira tečnost unutar nje kada je izložena visokoj temperaturi.
Drvo	Drvo će se osušiti kada se koristi u mikrotalasnoj pećnici i može naprsnuti ili se razdvojiti.

Opis proizvoda



- A) Kontrolni panel
- B) Držač okretnog postolja
- C) Prozor za posmatranje
- D) Sklop vrata
- E) Sistem bezbednosne blokade
- F) Šupljina pećnice

DODATNA OPREMA

Izvadite pećnicu i sve materijale iz kutije i šupljine pećnice. Vaša pećnica se isporučuje sa sledećim priborom:



Staklena tacna

Sklop prstena okretnog postolja

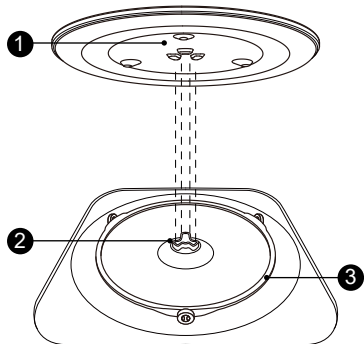
Uputstvo za upotrebu

Držač okretnog postolja

Visoka žičana rešetka. (Za roštiranje, npr. šnicle, kobasice i za tostiranje hleba. Kao potpora za plitko posuđe).

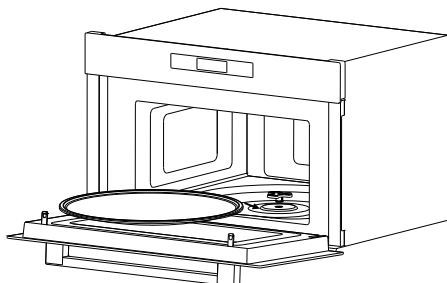
INSTALACIJA OKRETNOG POSTOLJA

Čišćenje odeljka za kuvanje i postavljanje okretnog postolja na mesto. Za nove instalacije, uverite se da je sva ambalaža i traka za pakovanje uklonjena sa držača okretnog postolja. Pre prve upotrebe uređaja za pripremu hrane, morate pravilno da postavite okretno postolje na mesto. Morate očistiti odeljak za kuvanje i dodatnu opremu.



Kako postaviti okretno postolje na mesto:

1. Postavite sklop prstena okretnog postolja (3) u udubljenje u odeljku za kuvanje.
2. Postavite staklenu tacnu (1) na sklop prstena okretnog postolja (3). Podesite podignute, zakrivljene linije na sredini dna staklene tacne između tri izbočine na držaču. Uverite se da staklena tacna (1) naleže na držač okretnog postolja (2) na sredini dna odeljka za kuvanje. Valjci na držaču treba da stanu unutar donje ivice okretnog postolja.



Napomena:

1. Nikada ne koristite uređaj bez okretnog postolja. Uverite se da je pravilno naleglo. Okretno postolje može da se okreće nadesno ili nalevo.
2. Nikada ne stavljajte staklenu tacnu naopako. Staklena tacna nikada ne sme imati ograničenje u kretanju.
3. I staklena tacna i sklop prstena okretnog postolja moraju uvek da se koriste tokom kuvanja.
4. Neka hrana i posude za hranu uvek se stavljaju na staklenu tacnu za kuvanje.
5. Nikada ne ograničavajte kretanje okretnog postolja.
6. Ako staklena tacna ili sklop prstena okretnog postolja puknu ili naprsnu, obratite se najbližem ovlašćenom servisnom centru.

Kako proizvod radi

KONTROLNI PANEL



Simbol	Funkcija
	Mikrotalasna pečnica
	Funkcija
	Sat/kuhinjski tajmer
	Automatski meni
	Zaključaj/otkaži
	Start/+30 sek./Potvrđi

Upotreba uređaja

RAD

Ime	Opis												
Podešavanje sata	<ol style="list-style-type: none">(1) Pritisnite „Sat/kuhinjski tajmer” jednom i prikazaće se „00:00”.(2) Pomerite klizač ili pritisnite „+” ili „-” da biste podesili broj sati. Vreme bi trebalo da bude u opsegu 0–23.(3) Pritisnite „Sat/kuhinjski tajmer” da potvrdite.(4) Pomerite klizač ili pritisnite „+” ili „-” da biste podesili broj minuta. Vreme bi trebalo da bude u opsegu 0–59.(5) Pritisnite „Sat/kuhinjski tajmer” da potvrdite.												
Kuhinjski tajmer	<ol style="list-style-type: none">(1) Pritisnite „Sat/kuhinjski tajmer” dva puta i prikazaće se „00:00”.(2) Pomerite klizač ili pritisnite „+” ili „-” da biste podesili vreme. Vreme bi trebalo da bude u opsegu 0:05~95:00.(3) Pritisnite „Start/+30 sek./Potvrdi” za potvrdu.												
Mikrotalasna pećnica	<table border="1"><thead><tr><th>Nivo snage</th><th>100%</th><th>80%</th><th>50%</th><th>30%</th><th>10%</th></tr></thead><tbody><tr><td>Displej</td><td>P10</td><td>P8</td><td>P5</td><td>P3</td><td>P1</td></tr></tbody></table> <ol style="list-style-type: none">(1) U stanju čekanja, pritisnite „Mikrotalasna pećnica” i prikazaće se „P10”.(2) Pritisnite „Mikrotalasna pećnica” više puta da biste podesili nivo snage. Dostupno je 5 nivoa snage.(3) Pomerite klizač ili pritisnite „+” ili „-” da biste podesili vreme kuvanja.(4) Pritisnite „Start/+30 sek./Potvrdi” da biste započeli kuvanje.	Nivo snage	100%	80%	50%	30%	10%	Displej	P10	P8	P5	P3	P1
Nivo snage	100%	80%	50%	30%	10%								
Displej	P10	P8	P5	P3	P1								
Roštilj	<ol style="list-style-type: none">(1) Pritisnite „Funkcija” jednom i prikazaće se „G-1”.(2) Pomerite klizač ili pritisnite „+” ili „-” da biste podesili vreme kuvanja.(3) Pritisnite „Start/+30 sek./Potvrdi” da biste započeli kuvanje. <p>Napomena: Kada prođe pola vremena, oglašiće se zvučni signal da vas podseti da okrenete hranu. Ako ne radi, pećnica će nastaviti da radi.</p>												

<p style="text-align: center;">Kombinacija</p>	<p>(1) Pritisnite „Funkcija“ jednom i prikazaće se „G-1“. Pritisnite „Funkcija“ više puta da biste izabrali željenu snagu i redom će se prikazati „C-1“, „C-2“.</p> <p>(2) Pomerite klizač ili pritisnite „+“ ili „-“ da biste podesili vreme kuvanja.</p> <p>(3) Pritisnite „Start/+30 sek./Potvrđi“ da biste započeli kuvanje.</p> <p>Napomena: Uputstva za kombinaciju</p> <table border="1" style="width: 100%; border-collapse: collapse;"> <thead> <tr> <th style="width: 15%;">Uputstva</th> <th style="width: 15%;">Displej</th> <th style="width: 30%;">Mikrotalasna pećnica</th> <th style="width: 40%;">Roštilj</th> </tr> </thead> <tbody> <tr> <td style="text-align: center;">1</td> <td style="text-align: center;">C-1</td> <td style="text-align: center;">55%</td> <td style="text-align: center;">45%</td> </tr> <tr> <td style="text-align: center;">2</td> <td style="text-align: center;">C-2</td> <td style="text-align: center;">36%</td> <td style="text-align: center;">64%</td> </tr> </tbody> </table>	Uputstva	Displej	Mikrotalasna pećnica	Roštilj	1	C-1	55%	45%	2	C-2	36%	64%
Uputstva	Displej	Mikrotalasna pećnica	Roštilj										
1	C-1	55%	45%										
2	C-2	36%	64%										
<p style="text-align: center;">Odmrzavanje prema težini</p>	<p>(1) Pritisnite „Funkcija“ dva puta i na ekranu će se prikazati „0,1 kg“.</p> <p>(2) Pomerite klizač ili pritisnite „+“ ili „-“ da biste podesili težinu. Trebalo bi da bude u opsegu 100–2000 g.</p> <p>(3) Pritisnite „Start/+30 sek./Potvrđi“ da biste započeli odmrzavanje.</p>												
<p style="text-align: center;">Odmrzavanje prema vremenu</p>	<p>(1) Pritisnite „Funkcija“ tri puta i na ekranu će se prikazati „1:00“.</p> <p>(2) Pomerite klizač ili pritisnite „+“ ili „-“ da biste podesili vreme.</p> <p>(3) Pritisnite „Start/+30 sek./Potvrđi“ da biste započeli odmrzavanje.</p> <p>Napomena: Kada istekne pola vremena predviđenog za odmrzavanje, oglasiće se zvučni signal. Okrenite hranu na drugu stranu. Ako ne radi, pećnica će nastaviti da radi.</p>												
<p style="text-align: center;">Brzina kuvanja</p>	<p>(1) U stanju čekanja, pritisnite „Start/+30 sek./Potvrđi“ da biste kuvali hranu sa 100% nivoa snage tokom 30 sekundi. Svaki pritisak na isti taster može da poveća za 30 sekundi, a maksimalna vrednost vremena je 95 minuta.</p> <p>Napomena: Brzo kuvanje ne može da se podesi prilikom odležavanja prema težini, višefaznom kuvanju i automatskom meniju.</p>												

<p>Funkcija zaključavanja za decu</p>	<p>Ovom funkcijom možete sprečiti decu da slučajno uključe rernu. Da biste aktivirali zaključavanje: U stanju čekanja, pritisnite i zadržite „Zaključaj/otkaži“ tri sekunde. Oglašice se dugi zvučni signal i pojaviće se zaključana ikona. Da biste deaktivirali zaključavanje: U zaključanom stanju, pritisnite i zadržite „Zaključaj/otkaži“ tri sekunde. Oglašava se dugi zvučni signal.</p>
<p>Funkcija upita</p>	<p>(1) Ako je sat podešen, trenutno vreme se prikazuje na tri sekunde ako pritisnete „Sat/kuhinjski tajmer“ u stanju kuvanja.</p>
<p>Automatski meni</p>	<p>(1) U stanju čekanja, pritisnite „Automatski meni“ i na ekranu će se prikazati „A-1“. (2) Pritisnite „Automatski meni“ više puta da biste izabrali meni koji vam je potreban. Dostupno je 8 automatskih menija. (3) Pomerite klizač ili pritisnite „+“ ili „-“ da biste podesili težinu hrane. (4) Pritisnite „Start/+30 sek./Potvrdi“ da biste započeli kuvanje.</p>

GRAFIKON AUTOMATSKOG MENIJA

Meni	Težina (g)	Displej	Snaga
A-1 KROMPIR	1 (oko 230 g)	1	P100
	2 (oko 460 g)	2	
	3 (oko 690 g)	3	
A-2 MESO	150 g	150 g	P80
	300 g	300 g	
	450 g	450 g	
	600 g	600 g	
A-3 RIBA	150 g	150 g	P80
	250 g	250 g	
	350 g	350 g	
	450 g	450 g	
	650 g	650 g	
A-4 POVRĆE	150 g	150 g	P100
	350 g	350 g	
	500 g	500 g	
A-5 NAPITAK	1 šolja (240 g)	1	P100
	2 šolje (480 g)	2	
	3 šolje (720 g)	3	
A-6 TESTENINA	50 g (hladna voda 450 g)	50 g	P80
	100 g (hladna voda 800 g)	100 g	
	150 g (hladna voda 1200 g)	150 g	
A-7 KOKICE	100 g	100 g	P100
A-8 PICA	200 g	200 g	P100+G-1
	400 g	400 g	



Čišćenje i održavanje

Obavezno isključite uređaj iz napajanja.

1. Nakon upotrebe očistite šupljinu pećnice malo vlažnom krpom.
2. Očistite dodatnu opremu na uobičajeni način vodom sa sapunicom.
3. Okvir vrata i zaptivanje i susedni delovi moraju se pažljivo očistiti vlažnom krpom kada su prljavi.
4. Nemojte koristiti oštra abrazivna sredstva za čišćenje ili oštre metalne strugače za čišćenje stakla vrata pećnice jer mogu ogrebat površinu, što može dovesti do pucanja stakla.
5. Savet za čišćenje---Za lakše čišćenje zidova šupljine koje kuvana hrana može dodirivati: Stavite pola limuna u posudu, dodajte 300 ml (1/2 pinte) vode i zagrejte na 100% snazi mikrotalasa 10 minuta. Obrišite pećnicu čistom mekom i suvom krpom.

Zaštita životne sredine i odlaganje na otpad

OTKRIVANJE I OTKLANJANJE PROBLEMA/KVAROVA

Normalno	
Mikrotalasna pećnica ometa televizijski prijem	Kada mikrotalasna pećnica radi, ona može ometati radio i televizijski prijem. To je slično ometanju malih električnih uređaja, kao što su mikser, usisivač i električni ventilator. To je normalno.
Prigušeno svetlo u pećnici	Prilikom mikrotalasnog kuvanja niske snage, svetlo pećnice može da se priguši. To je normalno.
Para se akumulira na vratima, topao vazduh izlazi iz otvora	Prilikom kuvanja, para može izaći iz hrane. Veći deo će izaći iz otvora. Ali deo se može akumulirati na hladnom mestu poput vrata pećnice. To je normalno.
Pećnica je slučajno pokrenuta bez hrane u njoj.	Zabranjeno je pokretanje uređaja bez hrane u njemu. Veoma je opasno.

Problem	Mogući uzrok	Rešenje
Pećnica ne može da se pokrene.	(1) Kabl za napajanje nije čvrsto priključen.	Izvucite kabl. Zatim ponovo priključite nakon 10 sekundi.
	(2) Osigurač iskače ili prekidač radi.	Zamenite osigurač ili resetujte prekidač (popravljeno od strane profesionalnog osoblja naše kompanije)
	(3) Problemi sa utičnicom.	Testirajte utičnicu sa drugim električnim uređajima.
Pećnica se ne zagreva.	(4) Vrata nisu dobro zatvorena.	Dobro zatvorite vrata.



Prema Direktivi o otpadnoj električnoj i elektronskoj opremi (WEEE), WEEE oprema bi trebalo odvojeno da se sakuplja i tretira. Ako u bilo kom trenutku u budućnosti treba da odložite ovaj proizvod na otpad, **NEMOJTE** odlagati ovaj proizvod sa kućnim otpadom. Pošaljite ovaj proizvod na mesta za prikupljanje WEEE opreme gde je to moguće.

Montaža

MONTAŽA I POVEZIVANJE

1. Ovaj uređaj je namenjen samo za kućnu upotrebu.
2. Ova pećnica je namenjena samo za ugradnju. Nije namenjena za upotrebu na pultu ili za upotrebu unutar ormara.
3. Pridržavajte se posebnih uputstava za montažu.
4. Uređaj može da se montira u zidni ormar širine 60 cm.
5. Uređaj je opremljen utikačem i mora da se poveže samo sa pravilno montiranom uzemljenom utičnicom.
6. Mrežni napon mora da odgovara naponu navedenom na natpisnoj pločici.
7. Samo kvalifikovani električar sme da montira utičnicu i kabl za povezivanje. Ako utikač više nije dostupan nakon montaže, uređaj za isključivanje svih polova mora da bude prisutan na strani instalacije sa razmakom kontakta od najmanje 3 mm.
8. Ne smeju se koristiti adapteri, kablovi sa više utičnica i produžni kablovi. Preopterećenje može dovesti do opasnosti od požara.

Dostupna površina može biti vruća tokom i nakon rada.



UGRADNA PEĆNICA

Model: **HWO38MG2BHXB**D / **HWO38MG2IHXB**D

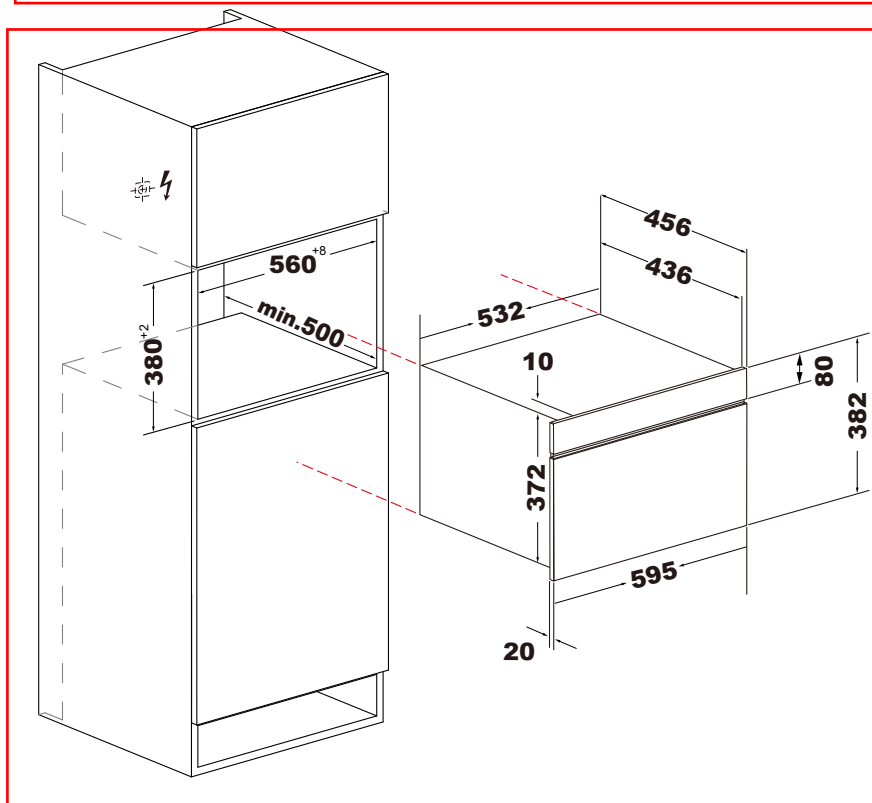
MONTAŽA

Navedene dimenzije su u mm.

Jedinice u koje se uređaj ugrađuje moraju da budu otporne na toplotu do 95 °C.

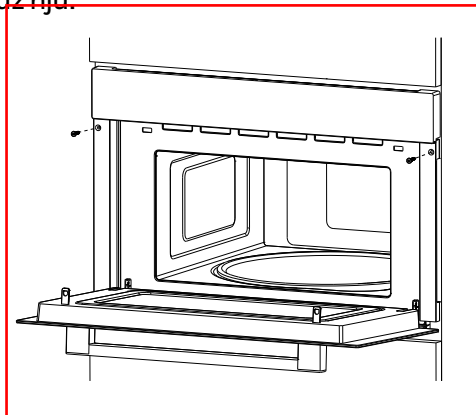
Minimalna visina instalacije je 850 mm.

Nemojte koristiti ispod radne površine i nemojte prolijevati iz spremnika na površinu na kojoj je postavljen uređaj.



Ugradnja

- Nemojte držati ili nositi uređaj za ručku vrata. Ručka vrata ne može da nosi težinu uređaja i može da se slomi.
1. Pažljivo gurnite mikrotalasnu pećnicu u kutiju i uverite se da stoji u sredini.
 2. Otvorite vrata i pričvrstite mikrotalasnu pećnicu šrafovima koji su isporučeni uz nju.



- Ubacite uređaj do kraja i centrirajte ga.
- Nemojte savijati kabl za povezivanje.
- Pričvrstite uređaj na mestu.

Važne informacije sa utikačem

Električna veza

Uređaj je opremljen utikačem i mora da se poveže samo sa pravilno montiranom uzemljenom utičnicom. Samo kvalifikovani električar koji uzima u obzir odgovarajuće propise sme da montira utičnicu ili zameni kabl za povezivanje. Ako utikač više nije dostupan nakon montaže, uređaj za izolaciju svih polova mora da bude prisutan na strani instalacije sa razmakom kontakta od najmanje 3 mm.

Instalacija mora da obezbedi zaštitu od kontakta.

Zaštita osigurača: pogledajte uputstva za upotrebu – tehničke podatke.

Važne informacije bez utikača

Uređaj je predviđen da se trajno montira pomoću kabla za napajanje sa tri ige i sme da ga poveže samo licencirani stručnjak u skladu sa šemom povezivanja.

Samo kvalifikovani električar koji uzima u obzir relevantne propise može da zameni kabl za napajanje. Nemojte koristiti višestruke utikače, višestruke utičnice ili produžne kablove. Preopterećenje izaziva rizik od požara.

Ako priključak više nije dostupan nakon montaže, mora da se obezbedi izolacioni prekidač sa svim pinovima sa razmakom kontakta od najmanje 3 mm.

Povežite žice mrežnog kabla za napajanje u skladu sa sledećim kodiranjem boja:

Zelena i žuta Žica uzemljenja < (E)

Plava Žica nule (N)

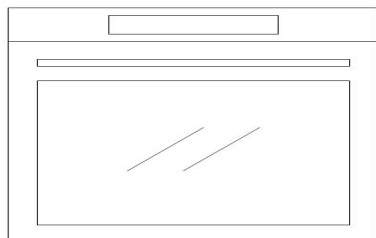
Smeđa Faza (L)

Velika Britanija i Australija:

Nemojte priključivati uređaj pomoću utikača od 13 A ili ga štiti osiguračem od 13 A. Uređaj mora da bude zaštićen pomoću osigurača sa oznakom 16 A ili višom. Uređaj mora da se isključi iz napajanja tokom svih instalacionih radova. Kada se uređaj montira, mora da se obezbedi zaštita od slučajnog kontakta u budućnosti.

Haier

Uživatelská příručka



CANDY HOOVER GROUP – Via Comolli 16, Brugherio – Itálie

Shrnutí

181

Důležité bezpečnostní pokyny

188

Popis výrobku

190

Jak tento výrobek funguje

191

Používání spotřebiče

195

Čištění a údržba

196

Ochrana životního prostředí a likvidace

197

Instalace

Vážená zákaznice/vážený zákazník, rádi bychom vám poděkovali a poblahopřáli k vaší volbě. Tento nový výrobek byl pečlivě navržen, vyroben s využitím vysoce kvalitních materiálů a velmi přesně přezkoušen, aby bylo jisté, že splní všechny vaše kulinářské požadavky.

Přečtěte si a dodržujte tyto jednoduché pokyny, které vám umožní dosahovat vynikajících výsledků již od prvního použití. Dostáváte spotřebič na špičkové technické úrovni a my k němu přidáváme přání toho nejlepšího.

Důležité bezpečnostní pokyny



OPATŘENÍ, KTERÁ MAJÍ ZAMEZIT PŘÍPADNÉMU VYSTAVENÍ NADMĚRNÉMU MNOŽSTVÍ MIKROVLNNÉ ENERGIE

- Nepokoušejte se používat tuto troubu s otevřenými dvířky, protože to by mohlo vést ke škodlivému vystavení mikrovlnné energii. Je důležité zabránit rozbití nebo neodborné manipulaci s bezpečnostním blokováním.
- Neumísťujte žádné předměty mezi čelní stranu trouby a dvířka, ani nedovolte, aby se na povrchu těsnění hromadila špína nebo zbytky čisticích prostředků.
- **VAROVÁNÍ:** Jestliže jsou poškozená dvířka nebo jejich těsnění, trouba se nesmí používat, dokud nebude opravena kompetentní osobou.

DŮLEŽITÉ BEZPEČNOSTNÍ POKYNY A VAROVÁNÍ

Dodržujte základní bezpečnostní opatření včetně následujících, aby se snížilo nebezpečí požáru, úrazu elektrickým proudem, zranění osob nebo vystavení nadměrnému množství mikrovlnné energie při používání spotřebiče:

- Zejména si přečtěte a dodržujte: „OPATŘENÍ, KTERÁ MAJÍ ZAMEZIT PŘÍPADNÉMU VYSTAVENÍ NADMĚRNÉMU MNOŽSTVÍ MIKROVLNNÉ ENERGIE“.
- Tento spotřebič mohou používat děti starší osmi let a osoby s omezenými fyzickými, smyslovými nebo duševními schopnostmi nebo osoby nezkušené a neznalé za předpokladu, že mají zajištěný dohled nebo byly poučeny o bezpečném používání spotřebiče a chápou související rizika. Děti si se spotřebičem nesmějí hrát. Děti nesmějí provádět čištění a uživatelskou údržbu bez dozoru.
- Uchovávejte spotřebič a jeho kabel mimo dosah dětí mladších osmi let.
- Pokud se poškodí napájecí kabel, výměnu musí provést výrobce, jeho servisní zástupce nebo osoba s podobnou kvalifikací, aby se vyloučilo riziko.
- VAROVÁNÍ: Před výměnou žárovky se ujistěte, že je spotřebič vypnutý, aby se předešlo úrazu elektrickým proudem.
- VAROVÁNÍ: Provádění jakékoli údržby nebo opravy zahrnující sejmutí krytu, který chrání před vystavením mikrovlnné energii, je nebezpečné pro kohokoli kromě kompetentní osoby.
- VAROVÁNÍ: Tekutiny a potraviny se nesmí ohřívat v uzavřených nádobách, protože by mohly vybuchnout.
- Při ohřívání potravin v plastových nebo papírových nádobách sledujte troubu, protože existuje možnost vznícení.
- Používejte pouze náčiní vhodné pro mikrovlnné trouby.

- Jestliže se objeví kouř, vypněte spotřebič nebo ho odpojte od napájení a nechte dvířka zavřená, aby se plameny udusili.
- Mikrovlnný ohřev nápojů může vést ke zpožděnému prudkému varu, proto je nutné dávat pozor při manipulaci s nádobou.
- Obsah kojeneckých láhví a dětské výživy ve sklenicích se musí zamíchat nebo protřepat a před krmením je nutné zkontrolovat jeho teplotu, aby se zamezilo popálení.
- V mikrovlnné troubě by se neměla ohřívat vejce ve skořápkách a celá vejce na tvrdo, protože by mohla vybuchnout, a to i po skončení mikrovlnného ohřevu.
- Podrobnosti o čištění těsnění dvířek, vnitřních prostor a přilehlých částí.
- Trouba by se měla pravidelně čistit včetně odstraňování veškerých usazenin pokrmů.
- Když se trouba nebude udržovat v čistém stavu, mohlo by to vést k narušení povrchu, což by mohlo nepříznivě ovlivnit životnost spotřebiče a případně způsobit nebezpečnou situaci.
- Používejte pouze takovou teplotní sondu, která je doporučena pro tuto troubu. (Platí pro trouby vybavené funkcí umožňující používat sondu snímající teplotu).
- Mikrovlnná trouba se musí používat s otevřenými dekoračními dvířky. (Platí pro trouby s dekoračními dvířky).
- Spotřebič je určen k použití v domácnosti a podobných místech, jako jsou:

- kuchyňky pro personál v obchodech, kancelářích a na dalších pracovištích;
- hotely, motely a dalších obytné objekty, v nichž je používán zákazníci;
- na chalupách;
- v ubytovacích zařízeních typu penzionu se snídaní.
- Mikrovlnná trouba je určena k ohřívání pokrmů a nápojů. Sušení potravin nebo oblečení a ohřívání ohřívacích podušek, pantoflí, houbiček, vlhkých látek apod. by mohlo vést k riziku zranění, vznícení nebo požáru.
- V mikrovlnné troubě není dovoleno připravovat pokrmy a nápoje v kovových nádobách.
- Spotřebič se nesmí čistit parním čističem.
- Spotřebič se nesmí instalovat za dekorační dvířka, aby se zamezilo přehřívání. (Toto neplatí pro spotřebiče s dekoračními dvířky).
- Tato mikrovlnná trouba je určena k vestavění.
- Spotřebič musí být provozován při otevřených dveřích skříňky.
- Při vyjímání nádob ze spotřebiče je třeba dávat pozor, aby se neposunul otočný talíř. (Platí pro pevně instalované a vestavné spotřebiče umístěné ve výšce nejméně 900 mm nad podlahou, které mají odnímatelné otočné talíře. Toto však neplatí pro spotřebiče s vodorovnými dvířky se spodním závěsem).
- Povrch úložné zásuvky se může zahřát.
- K čištění skla ve dvířkách trouby nepoužívejte drsné čisticí prostředky s brusným účinkem ani ostré kovové škrabky, protože by mohly poškrábat povrch, což by mohlo vést k roztržení skla.

- **VAROVÁNÍ:** Spotřebič a jeho přístupné součásti jsou během používání horké. Buďte opatrní a nedotýkejte se topných těles varné desky. Děti mladší osmi let se nesmí přibližovat ke spotřebiči, pokud nejsou pod nepřetržitým dohledem.
- Během používání a po něm je spotřebič horký. Je třeba dávat pozor, abyste se nedotkli topných těles uvnitř trouby.
- **VAROVÁNÍ:** Přístupné části mohou být během používání a po něm horké. Zabraňte přístupu malých dětí ke spotřebiči.
- **VAROVÁNÍ:** Pokud je spotřebič provozován v kombinovaném režimu, měly by děti troubu používat pouze pod dohledem dospělé osoby, a to kvůli teplotám, které v ní vznikají.

INSTALACE UZEMNĚNÍ ZA ÚČELEM SNÍŽENÍ RIZIKA ZRANĚNÍ

NEBEZPEČÍ

- Nebezpečí úrazu elektrickým proudem
- Kontakt s některými vnitřními součástmi může způsobit vážné zranění nebo usmrcení. Nerozebírejte tento spotřebič.

VAROVÁNÍ

- Nebezpečí úrazu elektrickým proudem
- Nesprávné použití uzemnění může vést k úrazu elektrickým proudem. Nezapojujte spotřebič do zásuvky, dokud nebude správně nainstalovaný a uzemněný.

- Tento spotřebič musí být uzemněný. Uzemnění snižuje riziko úrazu elektrickým proudem v případě elektrického zkratu tím, že poskytuje vodič pro odvod elektrického proudu.
- Tento spotřebič je vybaven kabelem s uzemňovacím vodičem a uzemňovací zástrčkou. Zástrčku je nutné zasunout do náležitě nainstalované a uzemněné zásuvky.
- Pokud plně nechápete pokyny pro uzemnění nebo máte pochybnosti, zda je spotřebič správně uzemněný, poraďte se s kvalifikovaným elektrikářem nebo servisním technikem.
- Jestliže je zapotřebí použít prodlužovací kabel, použijte pouze trojžilový prodlužovací kabel.
 - Dodaný napájecí kabel je krátký, aby se snížilo riziko zamotání nebo zakopnutí o delší kabel.
 - Pokud se používá dlouhý připojený nebo prodlužovací kabel:
 - Jmenovité hodnoty elektrického napájení vyznačené na připojeném nebo prodlužovacím kabelu musí být alespoň stejně velké jako hodnoty spotřebiče.
 - Prodlužovací kabel musí být trojžilový kabel s uzemněním.
 - Dlouhý kabel by měl být veden tak, aby nevisel přes pracovní desku nebo desku stolu na místě, kde by za něj mohly tahat děti nebo kde by o něj mohl někdo neúmyslně zakopnout.

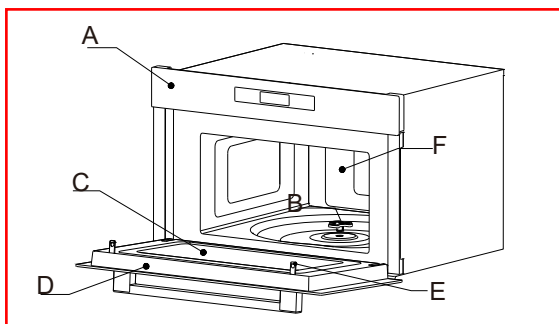
Materiály, které lze používat v mikrovlnné troubě

Kuchyňské náčiní	Poznámky
Gratinovací mísa	Řiďte se pokyny výrobce. Dno gratinovací mísy musí být alespoň 5 mm nad otočným talířem. Nesprávné použití může způsobit rozbití otočného talíře.
Stolní nádobí	Pouze výrobky určené pro mikrovlnnou troubu. Řiďte se pokyny výrobce. Nepoužívejte prasklé nebo otlučené nádobí.
Zavařovací sklenice	Vždy sejměte víčko. Používejte pouze k ohřevu pokrmu, dokud nebude teplý. Většina zavařovacích sklenic není žáruvzdorná a mohla by prasknout.
Skleněné nádobí	Pouze žáruvzdorné skleněné nádobí pro troubu. Ujistěte se, že nemá metalické lemování. Nepoužívejte prasklé nebo otlučené nádobí.
Sáčky na pečení v troubě	Řiďte se pokyny výrobce. Nezapínejte kovovou sponu. Nařízněte je, aby mohla unikat pára.
Papírové talíře a kelímky	Používejte pouze ke krátkodobému vaření/ohřevu. Během ohřevu nenechávejte troubu bez dozoru.
Papírové utěrky	Používejte k zakrývání pokrmů za účelem přehřívání a absorbování tuku. Používejte pouze pod dozorem ke krátkodobé přípravě pokrmů.
Pergamenový papír	Používejte k zakrývání, aby se předešlo rozstříku, nebo k obalování při pečení v páře.
Plasty	Pouze výrobky určené pro mikrovlnnou troubu. Řiďte se pokyny výrobce. Měly by být označeny jako „určené pro mikrovlnnou troubu“. Některé plastové nádoby během ohřívání pokrmu uvnitř měknou. „Varné sáčky“ a těsně uzavřené plastové sáčky by se měly naříznout, propíchnout nebo odvětrat podle pokynů na obalu.
Plastové fólie	Pouze výrobky určené pro mikrovlnnou troubu. Používejte k zakrývání potravin během přípravy, aby si udržely vlhkost. Zabraňte tomu, aby se plastové fólie dotýkaly potravin.
Teploměry	Pouze výrobky určené pro mikrovlnnou troubu (teploměry na maso a cukroví).
Voskový papír	Používejte k zakrývání, aby se předešlo rozstříku a ztrátě vlhkosti.

Materiály, kterým se v mikrovlnné troubě vyhýbat

Kuchyňské náčiní	Poznámky
Hliníkový plech	Mohl by způsobit vznik elektrického oblouku. Přemístěte pokrm do mísy určené pro mikrovlnnou troubu.
Kartónový obal na potraviny s kovovým držadlem	Mohl by způsobit vznik elektrického oblouku. Přemístěte pokrm do mísy určené pro mikrovlnnou troubu.
Kovové náčiní nebo náčiní s kovovým lemováním	Kov stíní potraviny před mikrovlnnou energií. Kovové lemování by mohlo způsobit vznik elektrického oblouku.
Kovové stahovací pásky	Mohly by způsobit vznik elektrického oblouku a oheň v troubě.
Papírové sáčky	Mohly by způsobit oheň v troubě.
Pěnové plasty	Pěnové plasty by se mohly působením vysoké teploty roztavit nebo kontaminovat tekutinu uvnitř.
Dřevo	Dřevo při používání v mikrovlnné troubě vyschne a mohlo by se rozštěpit nebo prasknout.

Popis výrobku



- A) Ovládací panel
- B) Osa otočného talíře
- C) Pozorovací okénko
- D) Sestava dvířek
- E) Systém bezpečnostního blokování
- F) Vnitřní prostor trouby



PŘÍSLUŠENSTVÍ

Vyjměte troubu a všechny materiály z kartónového obalu a vnitřního prostoru trouby. Trouba se dodává s následujícím příslušenstvím:



Skleněný talíř

Sestava otočného prstence

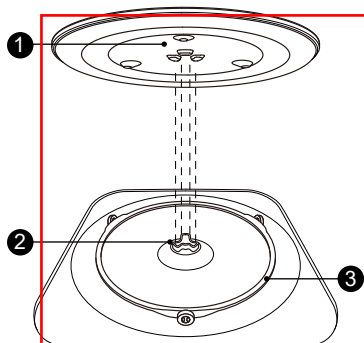
Návod k obsluze

Osa otočného talíře

Horní drátěná police. (Pro grilování, např. steaků, klobás a opékání chleba. Jako podpora pro mělké nádoby).

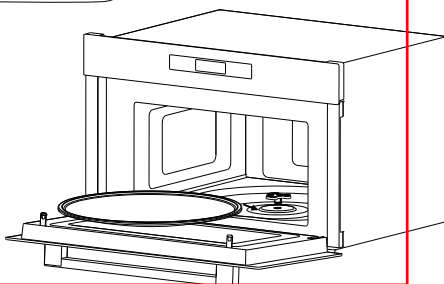
INSTALACE OTOČNÉHO TALÍŘE

Čištění prostoru pro ohřev a nasazení otočného talíře. U nových instalací se ujistěte, že z osy otočného talíře byly odstraněny všechny obaly a přepravní pásy. Před prvním použitím spotřebiče k přípravě pokrmů je třeba správně nasadit otočný talíř. Musíte vyčistit prostor pro ohřev a příslušenství.



Jak umístit otočný talíř na místo:

1. Umístěte sestavu otočného talíře ③ do vybrání ve varném prostoru.
2. Umístěte skleněný talíř ① na sestavu otočného prstence ③. Nasadte vyvýšené zakřivené linie do středu dna skleněného talíře mezi tři ramena osy. Ujistěte se, že skleněný talíř ① zapadl do osy otočného talíře ② uprostřed podlahy prostoru pro ohřev. Válečky na ose by se měly vejít do spodní hrany otočného talíře.



Poznámka:

1. Nikdy nepoužívejte spotřebič bez otočného talíře. Ujistěte se, že je správně zapojen. Otočný talíř se může otáčet ve směru nebo proti směru hodinových ručiček.
2. Nikdy nepokládejte skleněný talíř spodní stranou vzhůru. Nic nesmí omezovat skleněný talíř v pohybu.
3. Během přípravy pokrmů se musí vždy používat skleněný talíř i sestava otočného prstence.
4. Některé potraviny a pokrmy v nádobách se musí vždy pokládat na skleněný talíř.
5. Nikdy neomezujte pohyb otočného talíře.
6. Dojde-li k prasknutí nebo rozbití skleněného talíře nebo sestavy otočného prstence, obraťte se na nejbližší autorizované servisní středisko.

Jak tento výrobek funguje

OVLÁDACÍ PANEL



Symbol	Funkce
	Mikrovlnná trouba
	Funkce
	Hodiny/kuchyňský časovač
	Automatická nabídka
	Zamknout/Zrušit
	Start/+30 s/Potvrdit

Používání spotřebiče

PROVOZ

Název	Popis												
Nastavení hodin	<ol style="list-style-type: none"> (1) Stiskněte jednou tlačítko „Hodiny/Kuchyňský časovač“ a poté se zobrazí „00:00“. (2) Posunutím posuvníku nebo stisknutím tlačítka „+“ nebo „-“ nastavte hodinové hodnoty. Čas by měl být v rozmezí 0–23. (3) Stiskněte tlačítko „Hodiny/Kuchyňský časovač“ a potvrďte. (4) Posunutím posuvníku nebo stisknutím tlačítka „+“ nebo „-“ nastavte minutové hodnoty. Čas by měl být v rozmezí 0–59. (5) Stiskněte tlačítko „Hodiny/Kuchyňský časovač“ a potvrďte. 												
Kuchyňský časovač	<ol style="list-style-type: none"> (1) Stiskněte dvakrát tlačítko „Hodiny/Kuchyňský časovač“ a poté se zobrazí „00:00“. (2) Posuňte posuvník nebo stiskněte „+“ nebo „-“ pro nastavení času. Čas by měl být v rozmezí 0:05–95:00. (3) Potvrďte stisknutím tlačítka „Start/+30 s/Potvrdit“. 												
Mikrovlákná trouba	<table border="1" data-bbox="397 898 974 954"> <thead> <tr> <th>Úroveň výkonu</th> <th>100 %</th> <th>80 %</th> <th>50 %</th> <th>30 %</th> <th>10 %</th> </tr> </thead> <tbody> <tr> <td>Displej</td> <td>P10</td> <td>P8</td> <td>P5</td> <td>P3</td> <td>P1</td> </tr> </tbody> </table> <ol style="list-style-type: none"> (1) Ve fázi čekání stiskněte tlačítko „Mikrovlákná trouba“ a poté se zobrazí „P10“. (2) Opakovaným stisknutím tlačítka „Mikrovlákná trouba“ nastavte úroveň výkonu, k dispozici je 5 úrovní výkonu. (3) Posuňte posuvník nebo stisknutím tlačítka „+“ nebo „-“ nastavte dobu ohřevu. (4) Stisknutím tlačítka „Start/+30 s/Potvrdit“ spusťte tepelnou úpravu. 	Úroveň výkonu	100 %	80 %	50 %	30 %	10 %	Displej	P10	P8	P5	P3	P1
Úroveň výkonu	100 %	80 %	50 %	30 %	10 %								
Displej	P10	P8	P5	P3	P1								
Gril	<ol style="list-style-type: none"> (1) Stiskněte jednou tlačítko „Funkce“ a poté se zobrazí „G-1“. (2) Posuňte posuvník nebo stisknutím tlačítka „+“ nebo „-“ nastavte dobu ohřevu. (3) Stisknutím tlačítka „Start/+30 s/Potvrdit“ spusťte tepelnou úpravu. 												

	<p>Poznámka: Po uplynutí poloviny času se ozve zvukový signál, který vám připomene, abyste jídlo otočili. Pokud nedojde k žádné manipulaci, trouba bude pokračovat v činnosti.</p>															
Kombinace	<p>(1) Stiskněte jednou tlačítko „Funkce“ a poté se zobrazí „G-1“. Opakovaným stisknutím tlačítka „Funkce“ vyberte požadovaný výkon a v pořadí se zobrazí „C-1“, „C-2“ <input type="checkbox"/></p> <p>(2) Posuňte posuvník nebo stisknutím tlačítka „+“ nebo „-“ nastavte dobu ohřevu.</p> <p>(3) Stisknutím tlačítka „Start/+30 s/Potvrdit“ spustíte tepelnou úpravu.</p> <p>Poznámka: Pokyny pro kombinaci</p> <table border="1"> <thead> <tr> <th>Postup</th> <th>Displej</th> <th>Mikrovlnná trouba</th> <th>Gril</th> <th><input type="checkbox"/></th> </tr> </thead> <tbody> <tr> <td>1</td> <td>C-1</td> <td>55%</td> <td>45%</td> <td></td> </tr> <tr> <td>2</td> <td>C-2</td> <td>36%</td> <td>64%</td> <td></td> </tr> </tbody> </table>	Postup	Displej	Mikrovlnná trouba	Gril	<input type="checkbox"/>	1	C-1	55%	45%		2	C-2	36%	64%	
Postup	Displej	Mikrovlnná trouba	Gril	<input type="checkbox"/>												
1	C-1	55%	45%													
2	C-2	36%	64%													
Rozmrazování podle hmotnosti	<p>(1) Stiskněte <input type="checkbox"/> dvakrát tlačítko „Funkce“ a na obrazovce se zobrazí „0,1 kg“.</p> <p>(2) Posuňte posuvník nebo stiskněte „+“ nebo „-“ pro nastavení hmotnosti. Měla by se pohybovat v rozmezí 100–2000 g.</p> <p>(3) Stisknutím tlačítka „Start/+30 s/Potvrdit“ zahájíte rozmrazování.</p>															
Rozmrazování podle času	<p>(1) Stiskněte <input type="checkbox"/> třikrát tlačítko „Funkce“ a na obrazovce se zobrazí „1:00“.</p> <p>(2) Posuňte posuvník nebo stiskněte „+“ nebo „-“ pro nastavení času.</p> <p>(3) Stisknutím tlačítka „Start/+30 s/Potvrdit“ zahájíte rozmrazování.</p> <p>Poznámka: Po uplynutí poloviny doby rozmrazování se ozve zvukový signál, otočte jídlo. Pokud nedojde k žádné manipulaci, trouba bude pokračovat v činnosti.</p>															
Rychlost ohřevu	<p>(1) Ve fázi čekání stiskněte „Start/+30 s/Potvrdit“ pro ohřev se 100% výkonem po dobu 30 sekund. Každé stisknutí stejné klávesy může zvýšit 30 sekund a maximální hodnota času je 95 minut.</p> <p>Poznámka: Rychlý ohřev nelze nastavit v nabídce rozmrazování podle hmotnosti, nabídce vícefázového ohřevu a automatické nabídky.</p>															

<p>Funkce dětského zámku</p>	<p>Tuto funkci můžete použít k zabránění náhodnému zapnutí trouby dětmi. Aktivace zámku: Ve fázi čekání stiskněte a podržte tlačítko „Zamknout/Zrušit“ po dobu tří sekund. Zazní dlouhé pípnutí a zobrazí se ikona uzamčení. Deaktivace zámku: Ve stavu zamčení stiskněte a podržte tlačítko „Zamknout/Zrušit“ po dobu tří sekund. Zazní dlouhé pípnutí.</p>
<p>Funkce dotazování</p>	<p>(1) Pokud byly nastaveny hodiny, stisknutím tlačítka „Hodiny/Kuchyňský časovač“ ve stavu vaření se na tři sekundy zobrazí aktuální čas.</p>
<p>Automatická nabídka</p>	<p>(1) Ve fázi čekání stiskněte tlačítko „Automatická nabídka“, na obrazovce se zobrazí „A-1“. (2) Opakovaným stisknutím tlačítka „Automatická nabídka“ vyberte nabídku, kterou potřebujete. (3) Posuňte posuvník nebo stiskněte „+“ nebo „-“ pro nastavení hmotnosti jídla. (4) Stisknutím tlačítka „Start/+30 s/Potvrdit“ spustíte tepelnou úpravu.</p>

SCHÉMA AUTOMATICKÉ NABÍDKY

Nabídka	Hmotnost (g)	Displej	Výkon
A-1 BRAMBORY	1 (asi 230 g)	1	P100
	2 (asi 460 g)	2	
	3 (asi 690 g)	3	
A-2 MASO	150 g	150 g	P80
	300 g	300 g	
	450 g	450 g	
	600 g	600 g	
A-3 RYBY	150 g	150 g	P80
	250 g	250 g	
	350 g	350 g	
	450 g	450 g	
	650 g	650 g	
A-4 ZELENINA	150 g	150 g	P100
	350 g	350 g	
	500 g	500 g	
A-5 NÁPOJ	1 šálek(240 g)	1	P100
	2 šálky(480 g)	2	
	3 šálky(720 g)	3	
A-6 TĚSTOVINY	50 g(studená voda 450 g)	50 g	P80
	100 g(studená voda 800 g)	100 g	
	150 g(studená voda 1200 g)	150 g	
A-7 POPCORN	100 g	100 g	P100
A-8 PIZZA	200 g	200 g	P100+G-1
	400 g	400 g	

Čištění a údržba

Je nutné odpojit spotřebič od napájení.

1. Po použití otřete vnitřní prostor trouby navlhčeným hadrem.
2. Umyjte příslušenství běžným způsobem v mýdlové vodě.
3. Když jsou rám dvířek, těsnění a okolní součásti znečištěné, musíte je pečlivě očistit vlhkým hadrem.
4. K čištění skla ve dvířkách trouby nepoužívejte drsné čisticí prostředky s brusným účinkem ani ostré kovové škrabky, protože by mohly poškrábat povrch, což by mohlo vést k roztržení skla.
5. Tip pro čištění – pro snazší čištění stěn vnitřního prostoru, které se mohou dotýkat připravovaných pokrmů: Vložte do mísy polovinu citrónu, přidejte 300 ml vody a na 10 minut zapněte mikrovlnnou troubu nastavenou na 100% výkon. Otřete troubu měkkou, suchou látkou.

Ochrana životního prostředí a likvidace

ŘEŠENÍ PROBLÉMŮ

Normální	
Mikrovlnná trouba ruší televizní příjem	Za provozu mikrovlnné trouby může docházet k rušení příjmu rozhlasového a televizního signálu. Rušení je podobné jako u malých elektrických spotřebičů, například mixéru, vysavače a elektrického ventilátoru. Jedná se o normální jev.
Ztlumení osvětlení trouby	Při přípravě pokrmů s mikrovlnným ohřevem na malý výkon se může ztlumit osvětlení. Jedná se o normální jev.
Usazování páry na dvířkách, horký vzduch vycházející z větracích štěrbin	Při ohřevu může z pokrmu vycházet pára. Většina se dostane ven skrz větrací štěrbinu. Ale trochu páry se může usadit na nějakém chladném místě, jako jsou dvířka trouby. Jedná se o normální jev.
Neúmyslné spuštění trouby bez pokrmu uvnitř.	Je zakázáno spouštět spotřebič, když uvnitř není žádný pokrm. Je to velmi nebezpečné.

Problém	Možná příčina	Náprava
Troubu nelze spustit.	(1) Napájecí kabel není správně zapojený v zásuvce.	Vytáhněte zástrčku ze zásuvky. Potom ji po 10 sekundách opět zasuňte.
	(2) Spálená pojistka nebo vypnutý jistič.	Vyměňte pojistku nebo znovu zapněte jistič (opravu musí provést odborný personál naší společnosti)
	(3) Problém se zásuvkou.	Vyzkoušejte zásuvku pomocí jiných elektrických spotřebičů.
Trouba nehřeje.	(4) Nejsou správně zavřená dvířka.	Důkladně zavřete dvířka.



Podle směrnice o odpadních elektrických a elektronických zařízeních (OEEZ) je nutné tato zařízení sbírat a nakládat s nimi odděleně. Jestliže se budete někdy v budoucnu potřebovat zbavit tohoto výrobku, **NEVYHAZUJTE** ho do domovního odpadu. Odevzdejte tento výrobek do sběrného dvora pro OEEZ, pokud je k dispozici.

Instalace

INSTALACE A ZAPOJENÍ

1. Tento spotřebič je určen pouze k používání v domácnosti.
2. Tato trouba je určena pouze k vestavnému použití. Není určena k položení na pracovní desku ani k používání uvnitř skříně.
3. Řiďte se speciálními pokyny pro instalaci.
4. Spotřebič lze instalovat do nástěnné skříně o šířce 60 cm.
5. Spotřebič je vybaven zástrčkou a smí být připojen pouze k řádně nainstalované uzemněné zásuvce.
6. Síťové napětí musí odpovídat hodnotě napětí uvedené na typovém štítku.
7. Instalaci zásuvky a výměnu připojovacího kabelu smí provádět pouze kvalifikovaný elektrikář. Pokud po instalaci již není přístupná zástrčka, je nutné, aby bylo místo instalace vybaveno vícepólovým vypínacím zařízením se vzdáleností kontaktů nejméně 3 mm.
8. Nesmí se používat adaptéry, rozbočovače ani prodlužovací kabely. Přetížení může vést k nebezpečí požáru.

Přístupný povrch může být během provozu a po něm horký.



VESTAVNÁ TROUBA

Model: **HWO38MG2BHXBD / HWO38MG2IHXB**

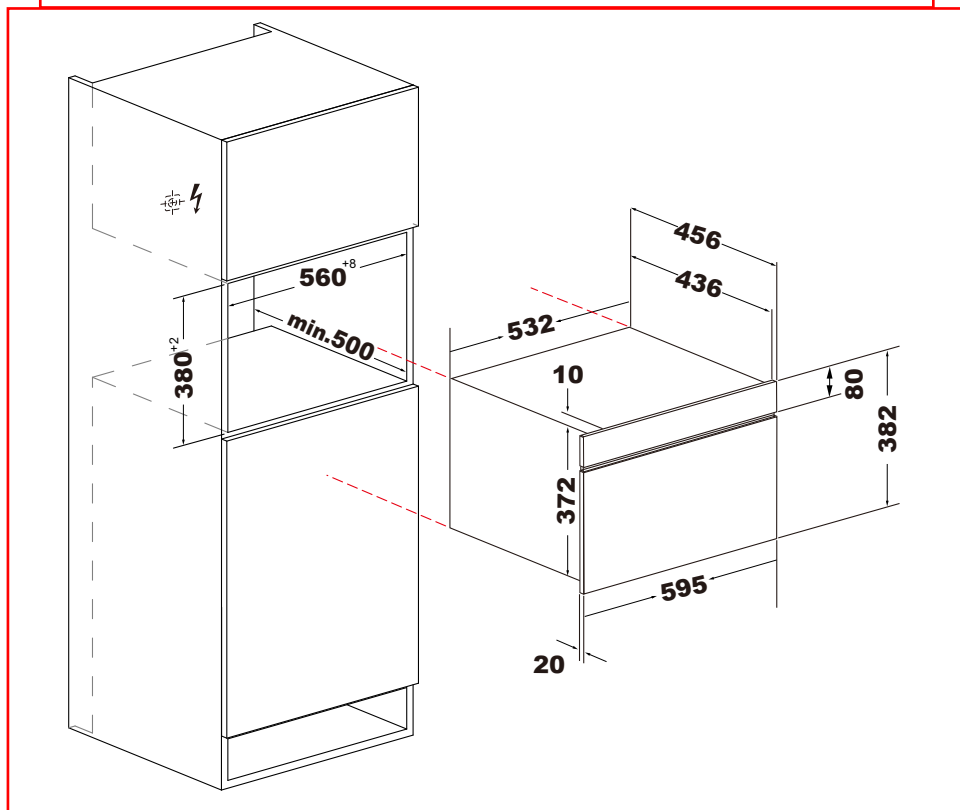
INSTALACE

Připojené rozměry jsou v mm.

Jednotky, do kterých je spotřebič namontován, musí být tepelně odolné do 95 °C.

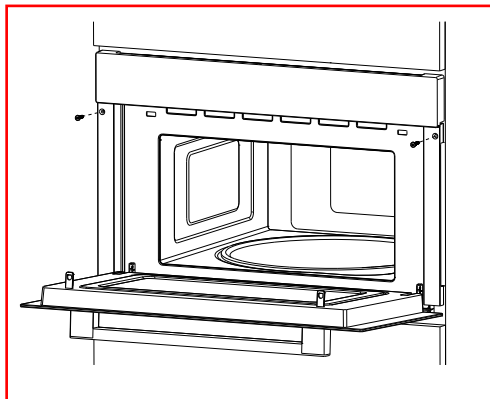
Minimální instalační výška je 850 mm.

Nepoužívejte pod pracovním povrchem a nevylévejte z nádoby na povrch, kde je spotřebič připevněn.



Vestavění

- Spotřebič nedržte ani nepřenášejte za rukojeť dvířek. Rukojeť dvířek neudrží váhu spotřebiče a může se ulomit.
1. Opatrně zasuňte mikrovlnnou troubu do skříňky a ujistěte se, že je uprostřed.
 2. Otevřete dvířka a upevněte mikrovlnnou troubu pomocí dodaných šroubů.



- Spotřebič zcela zasuňte a vycentrujte.
- Nepřekrucujte připojovací kabel.
- Přišroubujte spotřebič na místo.

Důležité informace – se zástrčkou

Připojení k elektrickému napájení

Spotřebič je vybaven zástrčkou a smí být připojen pouze k řádně nainstalované uzemněné zásuvce. Instalaci zásuvky či výměnu napájecího kabelu smí provádět pouze kvalifikovaný elektrikář, který zná příslušná nařízení. Pokud po instalaci již není přístupná zástrčka, je nutné, aby bylo místo instalace vybaveno vícepólovým oddělovacím vypínačem se vzdáleností kontaktů nejméně 3 mm.

Při instalaci musí být zajištěna ochrana kontaktu.

Pojistková ochrana: viz návod k použití – technické údaje.

Důležité informace – bez zástrčky

Spotřebič je určen k trvalé instalaci s tříkolíkovým napájecím kabelem a smí jej připojovat pouze odborník s licenci v souladu se schématem připojení.

Výměnu napájecího kabelu smí provádět pouze kvalifikovaný elektrikář, který zohlední příslušné předpisy. Nepoužívejte více zástrček, napájecích lišt nebo prodlužovaček. Přetížení způsobuje ohrožení života.

Po instalaci již není připojení přístupné, musí být k dispozici oddělovací spínač se všemi kolíky a s mezerou mezi kontakty nejméně 3 mm.

Připojte vodiče napájecího kabelu podle následujícího barevného značení:

Zelená a žlutá Zemnicí vodič (E)

Modrý Nulový vodič (N)

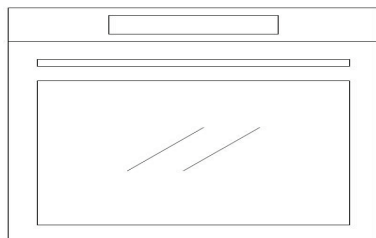
Hnědý Fáze (L)

Velká Británie a Austrálie:

Spotřebič nepřipojujte pomocí 13 A zástrčky ani jej nechraňte 13 A pojistkou. Spotřebič musí být chráněn pojistkou se jmenovitým proudem 16 A nebo vyšším. Během všech montážních prací musí být spotřebič odpojen od elektrické sítě. Při instalaci spotřebiče musí být zajištěna ochrana proti náhodnému kontaktu v budoucnu.

Haier

Návod na použitie



CANDY HOOVER GROUP – Via Comolli 16, Brugherio – Taliansko

Obsah

203	Dôležité bezpečnostné pokyny
210	Opis produktu
212	Ako produkt funguje
213	Použitie spotrebiča
217	Čistenie a údržba
218	Ochrana životného prostredia a likvidácia
219	Inštalácia

Vážený zákazník,
Chceli by sme vám poďakovať a zablahoželať vám k vášmu výberu. Tento nový produkt bol starostlivo navrhnutý a vyrobený z vysokokvalitných materiálov a dôsledne testovaný, aby sa zabezpečilo, že spĺňa všetky vaše kulinárske požiadavky.

Prečítajte si a dodržiavajte tieto jednoduché pokyny, ktoré vám umožnia dosiahnuť vynikajúce výsledky už od prvého použitia. Tento najmodernejší spotrebič k vám prichádza s našimi najlepšimi želaniami.

Dôležité bezpečnostné pokyny

BEZPEČNOSTNÉ OPATRENIA NA PREDCHÁDZANIE MOŽNÉHO VYSTAVENIA NADMERNEJ MIKROVLNNEJ ENERGII

- Nepokúšajte sa používať túto rúru s otvorenými dvierkami, pretože to môže mať za následok škodlivé vystavenie mikrovlnnej energii. Je dôležité, aby ste nepoškodili bezpečnostné zámky ani s nimi nemanipulovali.
- Neumiestňujte žiadne predmety medzi prednú stranu rúry a dvierka, ani nedovoľte, aby sa na tesniacich plochách nahromadili nečistoty alebo zvyšky čistiaceho prostriedku.
- **VAROVANIE:** Ak sú dvierka alebo tesnenia poškodené, rúra sa nesmie používať, kým ju neopraví kompetentná osoba.

DÔLEŽITÉ BEZPEČNOSTNÉ VAROVANIA

Aby ste znížili riziko požiaru, úrazu elektrickým prúdom, poranenia osôb alebo vystavenia nadmernej energii mikrovlnnej rúry pri používaní vášho spotrebiča, dodržujte základné opatrenia vrátane nasledujúcich:

- Prečítajte si a dodržujte konkrétne pravidlá:
„BEZPEČNOSTNÉ OPATRENIA NA PREDCHÁDZANIE
MOŽNÉHO VYSTAVENIA NADMERNEJ MIKROVLNNEJ
ENERGII“.
- Deti staršie ako 8 rokov a osoby s obmedzenými fyzickými, zmyslovými alebo duševnými schopnosťami alebo nedostatkom skúseností či vedomostí môžu tento spotrebič používať pod dohľadom, resp. po poučení a oboznámení sa s bezpečným spôsobom používania a porozumení možným nebezpečenstvám. Deti sa so spotrebičom nesmú hrať. Čistenie a údržbu nesmú vykonávať deti bez dozoru.
- Spotrebič a jeho kábel uchovávajte mimo dosahu detí mladších ako 8 rokov.
- Ak je poškodený vonkajší napájací kábel, v záujme eliminácie akéhokoľvek rizika ho musí vymeniť výrobca, jeho servisný zástupca alebo rovnako kvalifikovaná osoba.
- VAROVANIE: Pred výmenou žiarovky sa uistite, že je spotrebič vypnutý, aby nedošlo k úrazu elektrickým prúdom.
- VAROVANIE: Pre kohokoľvek iného ako kompetentnú osobu je nebezpečné vykonávať akýkoľvek servis alebo opravu, ktorá zahŕňa odstránenie krytu, ktorý poskytuje ochranu pred vystavením mikrovlnnej energii.
- VAROVANIE: Kvapaliny a iné potraviny sa nesmú ohrievať v uzavretých nádobách, pretože by mohli vybuchnúť.
- Pri zohrievaní potravín v plastových alebo papierových nádobách sledujte rúru z dôvodu možnosti zapálenia.

- Používajte len pomôcky, ktoré sú vhodné na použitie v mikrovlnných rúrach.
- Ak z rúry uniká dym, vypnite alebo odpojte spotrebič a nechajte dvierka zatvorené, aby ste zadusili všetky plamene.
- Pri mikrovlnnom ohreve nápojov môže dôjsť k oneskorenému veľmi prudkému varu, preto treba s nádobou zaobchádzať veľmi opatrne.
- Obsah dojčenských fliaš a detskej výživy v pohároch sa musí premiešať alebo pretrepať a pred kŕmením dieťaťa treba skontrolovať ich teplotu, aby sa zabránilo obareniu alebo popáleniu.
- Vajcia v škrupine a celé vajcia uvarené natvrdo sa nesmú zohrievať v mikrovlnných rúrach, pretože by mohli explodovať, a to aj po skončení zahrievania v mikrovlnnej rúre.
- Podrobnosti o čistení tesnení dvierok, vnútra a susedných dielov.
- Rúra by sa mala pravidelne čistiť a mali by sa odstrániť usadené zvyšky potravín.
- Ak by sa rúra neudržiavala v čistote, mohlo by to viesť k poškodeniu povrchu, čo by zase mohlo nepriaznivo ovplyvniť životnosť spotrebiča a ohroziť bezpečnosť.
- Používajte iba teplotnú sondu odporúčanú pre túto rúru. (Pre rúry vybavené zariadením na použitie teplotnej sondy.)
- Mikrovlnná rúra sa musí používať s otvorenými dekoratívnymi dvierkami. (Pre rúry s dekoratívnymi dvierkami.)

- Tento spotrebič je určený na používanie v domácnostiach a podobných priestoroch, ako napr.:
 - kuchynské priestory pre personál v obchodoch, úradoch a iných pracovných prostrediach;
 - použitie pre zákazníkov v hoteloch, motelloch a ďalších prostrediach rezidenčného typu;
 - farmy;
 - prostredie typu prenocovania s raňajkami.
- Mikrovlnná rúra je určená na ohrev jedál a nápojov. Sušenie potravín alebo odevov a ohrievanie vyhrievacích podložiek, papúč, špongií, vlhkej utierky a pod. môže viesť k riziku zranenia, vznietenia alebo požiaru.
- Počas varenia v mikrovlnnej rúre sa na prípravu jedál a nápojov nesmú používať kovové nádoby.
- Spotrebič sa nesmie čistiť parným čističom.
- Spotrebič sa nesmie inštalovať za dekoratívne dvierka, aby nedošlo k prehriatiu. (Toto sa nevzťahuje na spotrebiče s dekoratívnymi dvierkami.)
- Mikrovlnná rúra sa môže použiť ako vstavaný spotrebič.
- Spotrebič sa musí používať s otvorenými dverami skrinky.
- Pri vyberaní nádob zo spotrebiča treba dbať na to, aby sa otočný tanier neposunul. (Pre pevné spotrebiče a vstavané spotrebiče, ktoré sa používajú najmenej 900 mm nad podlahou a majú odnímateľné otočné tanieri. Nevzťahuje sa to na spotrebiče s dvierkami s vodorovnými výklopnými dvierkami.)
- Povrch úložnej zásuvky môže byť horúci.

- Na čistenie skla dvierok rúry nepoužívajte abrazívne čistiace prostriedky ani ostré kovové škrabky, pretože by mohli poškrabať alebo rozbiť sklo.
- **VAROVANIE:** Počas používania sú spotrebič a jeho dostupné diely horúce. Pri používaní treba byť opatrný, aby sa predišlo dotyku ohrievacích prvkov. Deti do 8 rokov udržiajte mimo dosahu alebo ich majte pod neustálym dohľadom.
- Počas používania a po ňom je spotrebič horúci. Musíte byť opatrný a nesmiete sa dotýkať ohrievacích článkov vo vnútri rúry.
- **VAROVANIE:** Prístupné diely sa môžu počas používania zohriať a ostanú horúce aj po použití. Malé deti by ste mali udržiavať ďalej.
- **VAROVANIE:** Ak sa spotrebič používa v kombinovanom režime, vzhľadom na generované vysoké teploty, by ho mali deti používať len pod dohľadom dospelšej osoby.

ZNÍŽENIE RIZIKA PORANENIA OSÔB UZEMNENÍM INŠTALÁCIE

NEBEZPEČENSTVO

- Nebezpečenstvo úrazu elektrickým prúdom
- Dotyk s niektorými vnútornými komponentmi môže spôsobiť vážne zranenie alebo smrť. Tento spotrebič nerozoberajte.

VAROVANIE

- Nebezpečenstvo úrazu elektrickým prúdom

- Nesprávne použitie uzemnenia môže viesť k úrazu elektrickým prúdom. Nezapájajte spotrebič do zásuvky, pokiaľ nie je správne nainštalovaný a uzemnený.
- Spotrebič musí byť uzemnený. V prípade elektrického skratu uzemnenie znižuje riziko úrazu elektrickým prúdom tým, že poskytuje únikový vodič pre elektrický prúd.
- Tento spotrebič je vybavený káblom s uzemňovacím vodičom a uzemňovacou zástrčkou. Zástrčka musí byť zapojená do správne nainštalovanej a uzemnenej zásuvky elektrickej siete.
- Ak ste pokyny na uzemnenie nepochopili úplne alebo ak máte pochybnosti o správnom uzemnení spotrebiča, požiadajte o pomoc kvalifikovaného elektrikára alebo servisného technika.
- Ak treba použiť predlžovací elektrický kábel, používajte iba 3-vodičový predlžovací kábel.
 - Krátky elektrický napájací kábel sa dodáva s cieľom znížiť riziká súvisiace so zamotaním sa do kábla alebo zakopnutím o dlhší kábel.
 - Ak sa používa dlhý kábel alebo predlžovací kábel:
 - Označená hodnota elektrického napätia napájacieho kábla alebo predlžovacieho kábla musí byť minimálne taká veľká ako elektrické napätie spotrebiča.
 - Predlžovací kábel musí byť uzemňovací 3-vodičový kábel.
 - Dlhý napájací kábel treba viesť tak, aby neprechádzal cez pracovnú dosku alebo cez linku, kde by ho mohli stiahnuť deti alebo by ste ho mohli nechtiac zachytiť.

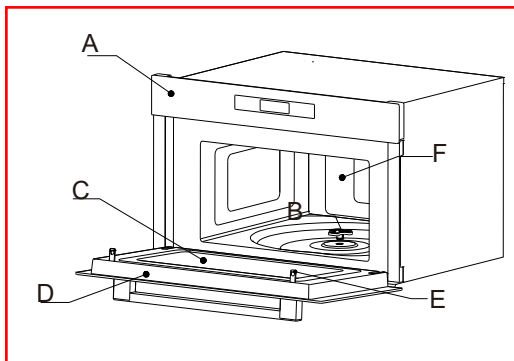
Materiály, ktoré môžete použiť v mikrovlnnej rúre

Kuchynské pomôcky	Poznámky
Zapekacia misa	Postupujte podľa pokynov výrobcu. Spodná časť zapekacej misy musí byť aspoň 5 mm (3/16 palca) nad otočným tanierom. Nesprávne používanie môže spôsobiť prasknutie otočného taniera.
Jedálenský riad	Iba riad vhodný do mikrovlnnej rúry. Postupujte podľa pokynov výrobcu. Nepoužívajte prasknutý ani vyštrbený riad.
Sklenené poháre	Vždy odstráňte viečko. Používajte len na ohrievanie jedla na teplotu podávania. Väčšina sklenených pohárov nie je tepelne odolná a môže sa rozbiť.
Sklenený riad	Iba tepelne odolný sklenený riad vhodný do rúry. Uistite sa, že neobsahuje žiadne ozdobné kovové prvky. Nepoužívajte prasknutý ani vyštrbený riad.
Vrecká na pečenie v rúre	Postupujte podľa pokynov výrobcu. Nezatvárajte kovovou svorkou. Prepichnete, aby mohla unikať para.
Papierové taniere a poháre	Používajte len na krátkodobé varenie/ohrievanie. Počas prípravy jedla nenechávajte rúru bez dozoru.
Papierové utierky	Používajte na zakrytie jedla pri ohreve a na zachytávanie tuku. Používajte pod dohľadom a len na krátkodobé varenie.
Pergamenový papier	Použite ako kryt, aby sa zabránilo rozstrekovaniu alebo ako obal pri naparovaní.
Plasty	Iba riad vhodný do mikrovlnnej rúry. Dodržiavajte pokyny výrobcu. Mali by byť označené ako „Vhodné do mikrovlnnej rúry“. Niektoré plastové nádoby pri zohriatí jedla vo vnútri zmäknú. „Vrecká na varenie“ a tesne uzavreté plastové vrecká treba upraviť tak, aby ostala voľná štrbina, treba ich prepichnúť alebo nechať pootvorené, podľa pokynov na obale.
Plastový obal	Iba riad vhodný do mikrovlnnej rúry. Používajte na zakrytie jedla počas varenia, aby si jedlo zachovalo vlhkosť. Nedovoľte, aby sa plastový obal dotýkal potravín.
Teplomery	Iba vhodné do mikrovlnnej rúry (teplomery na mäso a cukrovinky).
Voskový papier	Použite ako kryt, aby ste zabránili rozstrekovaniu a udržali vlhkosť.

Materiály, ktorým sa pri používaní mikrovlnnej rúry treba vyhnúť

Kuchynské pomôcky	Poznámky
Allobalová tácka	Môže spôsobiť iskrenie. Jedlo preložte do nádoby vhodnej do mikrovlnnej rúry.
Obal na potraviny s kovovou rukoväťou	Môže spôsobiť iskrenie. Jedlo preložte do nádoby vhodnej do mikrovlnnej rúry.
Kovové alebo kovom zdobené pomôcky	Kov chráni jedlo pred mikrovlnnou energiou. Kovový okraj môže spôsobiť iskrenie.
Kovové svorky	Môžu spôsobiť iskrenie a mohli by spôsobiť požiar v rúre.
Papierové vrecká	Môžu spôsobiť požiar v rúre.
Plastová pena	Plastová pena sa môže roztváť alebo kontaminovať tekutinu vo vnútri, keď je vystavená vysokej teplote.
Drevo	Pri použití v mikrovlnnej rúre drevo vyschne a môže sa rozštiepiť alebo popraskať.

Opis produktu

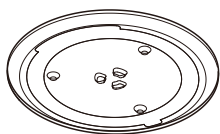


- A) Ovládací panel
- B) Otočný hriadeľ
- C) Pozorovacie okienko
- D) Zostava dvierok
- E) Bezpečnostný blokovací systém
- F) Vnútro rúry



PRÍSLUŠENSTVO

Vyberte rúru a všetok materiál zo škatule a z vnútra rúry. Rúra sa dodáva s nasledujúcim príslušenstvom:



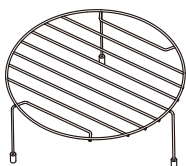
Sklenený tanier



Zostava otočného taniera



Návod na použitie



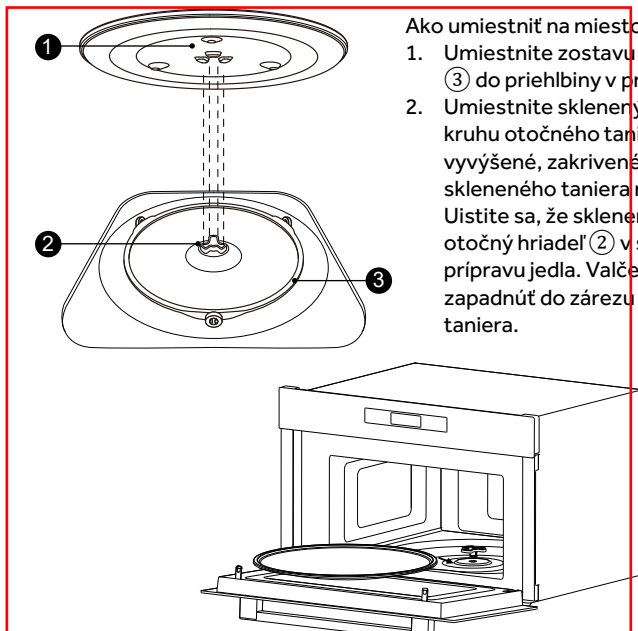
Vysoký drôtený stojan. (Na grilovanie, napr. steaky, klobásy a na opekanie chleba. Ako držiak na plytké tanierce).



Otočný hriadeľ

INŠTALÁCIA OTOČNÉHO TANIERA

Čistenie priestoru na prípravu jedál a umiestnenie otočného taniera na miesto. Pri inštalácii nového spotrebiča sa uistite, že všetky sú z hriadeľa odstránené všetky baliace a prepravné pásy. Pred prvým použitím spotrebiča na prípravu jedla budete musieť správne umiestniť otočný tanier. Musíte vyčistiť priestor na prípravu jedla a príslušenstvo.



Ako umiestniť na miesto otočný tanier:

1. Umiestnite zostavu kruhu na otočný tanier (3) do priehlbiny v priestore na varenie.
2. Umiestnite sklenený tanier (1) na zostavu kruhu otočného taniera (3). Nasadte vyvýšené, zakrivené línie do stredu dna skleneného taniera medzi tri lúče hriadeľa. Uistite sa, že sklenený tanier (1) zapadol na otočný hriadeľ (2) v strede dna priestoru na prípravu jedla. Valčeky na hriadeľi by mali zapadnúť do zárezu držiaka otočného taniera.

Poznámka:

1. Nikdy nepoužívajte spotrebič bez otočného taniera. Uistite sa, že je správne zapojený. Otočný tanier sa môže otáčať v smere hodinových ručičiek alebo proti smeru hodinových ručičiek.
2. Sklenený podnos nikdy nekladte hore dnom. Pohyb skleneného podnosu sa nikdy nesmie obmedzovať.
3. Počas prípravy jedla sa musí vždy používať sklenený podnos aj zostava otočného krúžku.
4. Niektoré potraviny a nádoby s jedlom sa vždy musia umiestniť na sklenený tanier.
5. Nikdy neobmedzujte pohyb otočného taniera.
6. V prípade prasknutia alebo rozbitia skleneného podnosu alebo zostavy otočného taniera sa obráťte na najbližšie autorizované servisné stredisko.

Ako produkt funguje

OVLÁDACÍ PANEL



Symbol	Funkcia
	Mikrovlny
F	Funkcia
	Hodiny/kuchynský časovač
	Automatická ponuka
  3S	Zámka/Zrušiť
 +30S	Štart/+30 s/Potvrdiť

Použitie spotrebiča

PREVÁDZKA

Názov	Opis												
Nastavenie hodín	<ol style="list-style-type: none">(1) Stlačte raz tlačidlo „Hodiny/kuchynský časovač“, zobrazí sa „00:00“.(2) Posuňte posuvník alebo stláčajte „+“ alebo „-“ na nastavenie číslic hodín. Čas by mal byť v rozsahu 0 – 23.(3) Stlačením tlačidla „Hodiny/kuchynský časovač“ potvrdte.(4) Posuňte posuvník alebo stláčajte „+“ alebo „-“ na nastavenie minút. Čas by mal byť v rozsahu 0 – 59.(5) Stlačením tlačidla „Hodiny/kuchynský časovač“ potvrdte.												
Kuchynský časovač	<ol style="list-style-type: none">(1) Dvakrát stlačte tlačidlo „Hodiny/kuchynský časovač“, zobrazí sa „00:00“.(2) Posuňte posuvník alebo stláčaním „+“ alebo „-“ nastavte čas. Čas by mal byť v rozsahu 0:05 – 95:00.(3) Stlačením tlačidla „Štart/+30 s/Potvrdiť“ potvrdte.												
Mikrovlny	<table border="1"><thead><tr><th>Úroveň výkonu</th><th>100 %</th><th>80 %</th><th>50 %</th><th>30 %</th><th>10 %</th></tr></thead><tbody><tr><td>Displej</td><td>P10</td><td>P8</td><td>P5</td><td>P3</td><td>P1</td></tr></tbody></table> <ol style="list-style-type: none">(1) V stave čakania stlačte tlačidlo „Mikrovlnná rúra“, zobrazí sa „P10“.(2) Opakovaným stláčaním tlačidla „Mikrovlnná rúra“ nastavte úroveň výkonu, k dispozícii je 5 úrovní výkonu.(3) Posuňte posuvník alebo stláčaním tlačidla „+“ alebo „-“ nastavte dobu varenia.(4) Stlačením „Štart/+30 s/Potvrdiť“ zapnite varenie.	Úroveň výkonu	100 %	80 %	50 %	30 %	10 %	Displej	P10	P8	P5	P3	P1
Úroveň výkonu	100 %	80 %	50 %	30 %	10 %								
Displej	P10	P8	P5	P3	P1								
Gril	<ol style="list-style-type: none">(1) Raz stlačte tlačidlo „Funkcia“, zobrazí sa „G-1“.(2) Posuňte posuvník alebo stláčaním tlačidla „+“ alebo „-“ nastavte dobu varenia.(3) Stlačením „Štart/+30 s/Potvrdiť“ zapnite varenie. <p>Poznámka: Po uplynutí polovice času zaznie bzučiak, aby vám pripomenul, že máte obrátiť jedlo. Ak neurobíte žiadny úkon, rúra bude pokračovať v postupe.</p>												

<p style="text-align: center;">Kombinácia</p>	<p>(1) Raz stlačte tlačidlo „Funkcia“, zobrazí sa „G-1“. Opakovaným stláčaním tlačidla „Funkcia“ zvolíte požadovaný výkon, čím sa postupne zobrazia „C-1“, „C-2“.</p> <p>(2) Posuňte posuvník alebo stláčaním tlačidla „+“ alebo „-“ nastavte dobu varenia.</p> <p>(3) Stlačením „Štart/+30 s/Potvrdiť“ zapnite varenie.</p> <p>Poznámka: Pokyny na kombináciu</p> <table border="1" style="width: 100%; border-collapse: collapse;"> <thead> <tr> <th style="width: 15%;">Pokyny</th> <th style="width: 15%;">Displej</th> <th style="width: 15%;">Mikrovlny</th> <th style="width: 15%;">Gril</th> <th style="width: 40%;"></th> </tr> </thead> <tbody> <tr> <td style="text-align: center;">1</td> <td style="text-align: center;">C-1</td> <td style="text-align: center;">55%</td> <td style="text-align: center;">45%</td> <td style="text-align: center;">☐</td> </tr> <tr> <td style="text-align: center;">2</td> <td style="text-align: center;">C-2</td> <td style="text-align: center;">36%</td> <td style="text-align: center;">64%</td> <td></td> </tr> </tbody> </table>	Pokyny	Displej	Mikrovlny	Gril		1	C-1	55%	45%	☐	2	C-2	36%	64%	
Pokyny	Displej	Mikrovlny	Gril													
1	C-1	55%	45%	☐												
2	C-2	36%	64%													
<p style="text-align: center;">Rozmrazovanie podľa hmotnosti</p>	<p>(1) Dvakrát stlačte tlačidlo „Funkcia“, na obrazovke sa zobrazí „0,1kg“.</p> <p>(2) Posuňte posuvník alebo stláčajte tlačidlo „+“ alebo „-“, aby ste nastavili hmotnosť. Hodnota by mala byť v rozsahu 100 – 2 000 g.</p> <p>(3) Stlačením „Štart/+30 s/Potvrdiť“ zapnite rozmrazovanie.</p>															
<p style="text-align: center;">Rozmrazovanie podľa času</p>	<p>(1) Trikrát stlačte tlačidlo „Funkcia“, na obrazovke sa zobrazí „1:00“.</p> <p>(2) Posuňte posuvník alebo stláčaním tlačidla „+“ alebo „-“ nastavte čas.</p> <p>(3) Stlačením „Štart/+30 s/Potvrdiť“ zapnite rozmrazovanie.</p> <p>Poznámka: Po uplynutí polovice doby rozmrazovania zaznie bzučiak, potraviny obráťte. Ak neurobíte žiadny úkon, rúra bude pokračovať v postupe.</p>															
<p style="text-align: center;">Rýchlosť varenia</p>	<p>(1) V stave čakania stlačte tlačidlo „Štart/+30 s/Potvrdiť“, čím sa zapne varenie s výkonom 100 % na 30 sekúnd. Každým stlačením tohto tlačidla môžete predĺžiť interval o 30 sekúnd, pričom maximálna hodnota času je 95 minút.</p> <p>Poznámka: Rýchle varenie nie je možné nastaviť pri rozmrazovaní podľa hmotnosti, viacstupňovom varení ani pri automatickej ponuke.</p>															

<p>Funkcia uzamknutia pre deti</p>	<p>Túto funkciu môžete použiť, aby ste zabránili deťom zapnúť rúru. Aktivácia zámky: V stave čakania stlačte a tri sekundy podržte tlačidlo „Zámka/zrušiť“. Zaznie dlhé pípnutie a zobrazí sa ikona uzamknutia. Vypnutie zámky: V uzamknutom stave stlačte a na tri sekundy podržte tlačidlo „Zámka/zrušiť“. Zaznie dlhé pípnutie.</p>
<p>Vyžiadanie funkcie</p>	<p>(1) Ak ste nastavili hodiny, presný čas sa zobrazí na tri sekundy stlačením tlačidla „Hodiny/Kuchynský časovač“ v stave varenia.</p>
<p>Automatická ponuka</p>	<p>(1) V stave čakania stlačte tlačidlo „Automatická ponuka“, na obrazovke sa zobrazí „A-1“. (2) Opakovaným stláčaním tlačidla „Automatická ponuka“ vyberte požadovanú ponuku. K dispozícii je 8 automatických ponúk. (3) Posuňte posuvník alebo stláčaním tlačidla „+“ alebo „-“ nastavte hmotnosť potravín. (4) Stlačením „Štart/+30 s/Potvrdiť“ zapnete varenie.</p>

TABUĽKA AUTOMATICKEJ PONUKY

Ponuka	Hmotnosť (g)	Displej	Výkon
A-1 ZEMIAKY	1 (približne 230 g)	1	P100
	2 (približne 460 g)	2	
	3 (približne 690 g)	3	
A-2 MÄSO	150 g	150 g	P80
	300 g	300 g	
	450 g	450 g	
	600 g	600 g	
A-3 RYBY	150 g	150 g	P80
	250 g	250 g	
	350 g	350 g	
	450 g	450 g	
	650 g	650 g	
A-4 ZELEENINA	150 g	150 g	P100
	350 g	350 g	
	500 g	500 g	
A-5 NÄPOJ	1 šálka (240 g)	1	P100
	2 šálky (480 g)	2	
	3 šálky (720 g)	3	
A-6 CESTOVINY	50 g (studená voda 450 g)	50 g	P80
	100 g (studená voda 800 g)	100 g	
	150 g (studená voda 1200 g)	150 g	
A-7 PUKANCE	100 g	100 g	P100
A-8 PIZZA	200 g	200 g	P100+G-1
	400 g	400 g	

Čistenie a údržba

Uistite sa, že ste spotrebič odpojili od zdroja napájania.

1. Po použití vyčistite vnútro rúry mierne navlhčenou handričkou.
2. Príslušenstvo čistite obvyklým spôsobom vo vode so saponátom.
3. Rám dvierok, tesnenie a susediace časti je treba pri znečistení dôkladne očistiť vlhkou handričkou.
4. Na čistenie skla dvierok rúry nepoužívajte abrazívne čistiace prostriedky ani ostré kovové škrabky, pretože by mohli poškríabať alebo rozbiť sklo.
5. Tip na čistenie --- Jednoduchšie čistenie vnútorných stien, ktorých sa môže dotýkať pripravované jedlo: vložte do misky polovicu citrónu, prilejte 300 ml vody a zohrievajte na 100 % mikrovlnného výkonu 10 minút. Rúru očistite mäkkou, suchou handričkou.

Ochrana životného prostredia a likvidácia

RIEŠENIE PROBLÉMOV

Normálne	
Mikrovlnná rúra ruší TV príjem	Pri prevádzke mikrovlnnej rúry môže byť rušený príjem rádia a televízora. Je to podobné ako rušenie malých elektrických spotrebičov, ako je mixér, vysávač a elektrický ventilátor. Je to normálne.
Stlmené svetlo rúry	Pri varení v mikrovlnnej rúre s nízkym výkonom sa svetlo rúry môže stlmiť. Je to normálne.
Para nahromadená na dverkách, horúci vzduch z prieduchov	Pri varení môže z jedla unikať para. Väčšina sa dostane von z prieduchov. Ale určitý podiel sa môže hromadiť na chladnom mieste, ako sú dvierka rúry. Je to normálne.
Rúra sa spustila náhodne bez jedla vo vnútri.	Je zakázané zapínať jednotku bez akéhokoľvek jedla vo vnútri. Je to veľmi nebezpečné.

Problém	Možná príčina	Náprava
Rúra sa nedá aktivovať.	(1) Elektrický napájací kábel nie je zapojený správne.	Odpojte ho. Po 10 sekundách ho znova zapojte.
	(2) Vypálená poistka alebo zasiahol istič.	Vymeňte poistku alebo zresetujte istič (opravený odborným personálom našej spoločnosti)
	(3) Problémy so zásuvkou.	Zásuvku preskúšajte zapojením iného elektrického spotrebiča.
Rúra nezohrieva.	(4) Dvierka nie sú dobre zatvorené.	Zatvorte dvierka správne.



Podľa smernice o odpade z elektrických a elektronických zariadení (OEEZ) by sa mal OEEZ zbierať a spracúvať separovane. Ak budete niekedy v budúcnosti potrebovať tento výrobok zlikvidovať, nelikvidujte ho spolu s komunálnym odpadom. Tento výrobok odovzdajte do zberného strediska pre OEEZ, ak sú k dispozícii.

Inštalácia

INŠTALÁCIA A PRIPOJENIE

1. Tento spotrebič je určený len na domáce použitie.
2. Táto rúra je určená len ako vstavaný spotrebič. Nie je určený na použitie na pracovnej doske ani vnútri skrinky.
3. Dodržiavajte špeciálne inštalačné pokyny.
4. Spotrebič je možné nainštalovať do skrinky so šírkou 60 cm.
5. Spotrebič je vybavený zástrčkou a smie sa zapájať iba do riadne nainštalovanej uzemnenej zásuvky.
6. Napätie musí zodpovedať hodnote na typovom štítku.
7. Zásuvku musí nainštalovať a elektrický napájací kábel smie vymeniť len kvalifikovaný elektrikár. Pokiaľ už zásuvka po inštalácii nie je prístupná, treba v blízkosti spotrebiča nainštalovať dvojpólový vypínač s medzerou medzi kontaktmi 3 mm.
8. Adaptéry, rozdvojky ani predĺžovacie káble sa nesmú používať. Preťaženie môže mať za následok nebezpečenstvo vzniku požiaru.

Prístupný povrch môže byť počas prevádzky a po nej horúci.



VSTAVANÁ RÚRA

Model: **HWO38MG2BHXBD / HWO38MG2IHXB**

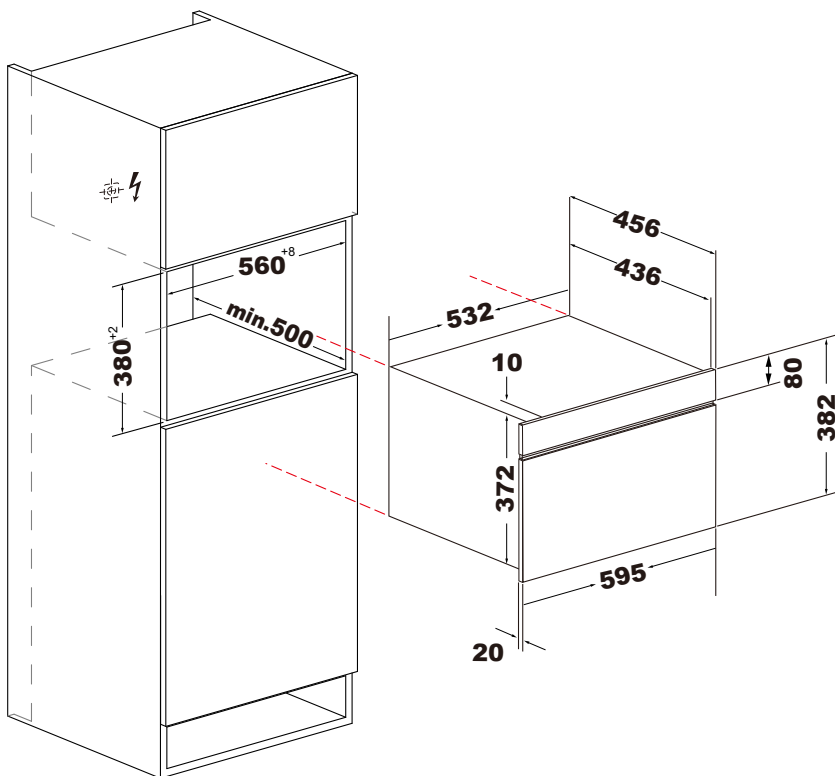
INŠTALÁCIA

Priložené rozmery sú v mm.

Jednotky, do ktorých je spotrebič namontovaný, musia byť odolné voči teplotám až 95 °C.

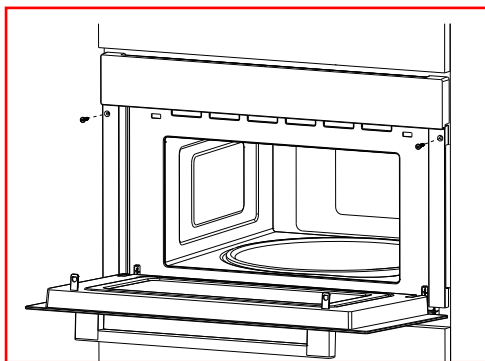
Minimálna výška inštalácie je 850 mm.

Nepoužívajte pod pracovným povrchom a nevyliievajte z nádoby na povrch, kde je spotrebič pripevnený.



Zabudovanie

- Spotrebič nedržte ani ho neprenášajte za držadlo dverí. Držadlo dverí nedokáže udržať hmotnosť spotrebiča a môže sa odlomiť.
1. Opatrne zatlačte mikrovlnnú rúru do skrinky, uistite sa, že je v strede.
 2. Otvorte dvierka a upevnite mikrovlnnú rúru dodanými skrutkami.



- Spotrebič úplne vsuňte a vycentrujte.
- Elektrický napájací kábel nezalomte.
- Zaskrutkujte spotrebič na miesto.

Dôležité informácie pre spotrebič so zástrčkou

Elektrické zapojenie

Spotrebič je vybavený zástrčkou a smie sa zapájať iba do riadne nainštalovanej uzemnenej zásuvky. Nainštalovať zástrčku alebo vymeniť napájací kábel môže iba kvalifikovaný technik pri dodržaní všetkých príslušných predpisov. Pokiaľ zásuvka po inštalácii už nebude prístupná, treba v blízkosti spotrebiča nainštalovať dvojpólový vypínač s medzerou medzi kontaktmi 3 mm.

Inštalácia musí zabezpečiť ochranu kontaktu.

Ochrana poistiek: pozri návod na použitie - technické údaje.

Dôležité informácie pre spotrebič bez zástrčky

Spotrebič je určený na trvalú inštaláciu pomocou trojvodičového napájacieho kábla, pričom ho smie pripojiť iba odborník v súlade so schémou pripojenia.

Napájací kábel smie vymeniť iba kvalifikovaný elektrikár za dodržania príslušných predpisov. Nepoužívajte rozdvojky, napájacie lišty ani predlžovacie káble. Preťaženie spôsobuje riziko požiaru.

Po inštalácii už miesto zapojenia nebude prístupné, preto musí byť k dispozícii spínač s medzerou kontaktov najmenej 3 mm.

Pripojte vodiče elektrického napájacieho kábla podľa nasledujúceho farebného označenia:

Zeleno-žltý Uzemňovací vodič < (E)

Modrý Neutrálny vodič (N)

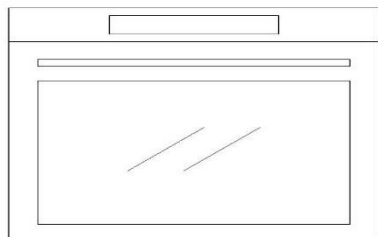
Hnedý Pod napätím (L)

Veľká Británia a Austrália:

Spotrebič nepripájajte pomocou 13 A zástrčky ani ho nechráňte 13 A poistkou. Spotrebič musí byť chránený poistkou s hodnotou 16 A alebo vyššou. Spotrebič musí byť počas všetkých inštalačných prác odpojený od elektrickej siete. Keď je spotrebič nainštalovaný, musí byť zabezpečená ochrana proti náhodnému kontaktu v budúcnosti.

Haier

Navodila za uporabo



CANDY HOOVER GROUP – Via Comolli 16, Brugherio – Italija

Povzetek

225	Pomembne varnostne navedbe
232	Opis izdelka
234	Kako izdelek deluje
235	Uporaba aparata
239	Čiščenje in servisiranje
240	Varovanje okolja in odstranjevanje
241	Vgradnja

Spoštovani,

Radi bi se vam zahvalili in vam čestitali za izbiro tega aparata. Ta novi izdelek je bil skrbno zasnovan in izdelan iz visoko kakovostnih materialov ter dodobra testiran, da izpolni vse kulinarične zahteve.

Preberite in upoštevajte ta preprosta navodila, ki vam bodo omogočila doseganje odličnih rezultatov že s prvo uporabo. Ta vrhunski aparat vam pošiljamo z najboljšimi željami.

Pomembne varnostne navedbe

PREVIDNOSTNI UKREPI ZA PREPREČEVANJE MOREBITNE IZPOSTAVLJENOSTI PREKOMERNI MIKROVALOVNI ENERGIJI

- Pečice ne poskušajte upravljati pri odprtih vratih, saj lahko to povzroči škodljivo izpostavljenost mikrovalovni energiji. Pomembno je, da varnostni zapor ne poškodujete ali spreminjate.
- Med sprednjo stran pečice in vrata ne postavljajte predmetov ter ne dovolite, da bi se na tesnilnih površinah kopičili ostanki umazanije ali čistil.
- **OPOZORILO:** Če so vrata ali tesnila vrat poškodovana, pečice ne smete uporabljati, dokler je ne popravi pristojna oseba.

POMEMBNA VARNOSTNA NAVODILA IN OPOZORILA

Za zmanjšanje nevarnosti požara, električnega udara, poškodb oseb ali izpostavljenosti prekomerni energiji mikrovalovne pečice pri uporabi naprave upoštevajte osnovne previdnostne ukrepe, vključno z naslednjim:

- Preberite in upoštevajte naslednje: »PREVIDNOSTNI UKREPI ZA PREPREČEVANJE MOREBITNE IZPOSTAVLJENOSTI PREKOMERNI MIKROVALOVNI ENERGIJI«.

- To napravo lahko uporabljajo otroci, starejši od 8 let, in osebe z zmanjšanimi fizičnimi, senzoričnimi ali umskimi zmožnostmi ali s pomanjkanjem izkušenj ter znanja, če so pod ustreznim nadzorom ali so prejeli navodila za varno uporabo naprave in razumejo s tem povezana tveganja. Otroci se z aparatom ne smejo igrati. Otroci ne smejo čistiti naprave in na njej ne smejo izvajati vzdrževalnih del brez ustreznega nadzora.
- Napravo in kabel shranjujte zunaj dosega otrok, mlajših od 8 let.
- Če je napajalni kabel poškodovan, ga mora zamenjati proizvajalec, serviser ali podobno usposobljena oseba, da se prepreči morebitne nevarnosti.
- **OPOZORILO:** Pred zamenjavo luči se prepričajte, da je naprava izklopljena, da preprečite možnost električnega udara.
- **OPOZORILO:** Izvajanje kakršnih koli servisnih del ali popravil, ki vključujejo odstranjevanje pokrova, ki zagotavlja zaščito pred izpostavljenostjo mikrovalovni energiji, je nevarno za vse osebe, ki niso usposobljene za to delo.
- **OPOZORILO:** Tekočin in živil ne smete segrevati v zaprtih posodah, ker lahko eksplodirajo.
- Pri segrevanju hrane v plastičnih ali papirnatih posodah bodite pozorni, saj lahko pride do vžiga.
- Uporabljajte samo pribor, ki je primeren za uporabo v mikrovalovnih pečicah.
- Če opazite dim, izklopite ali odklopite napravo, vrata pa naj ostanejo zaprta, da se ogenj zaduši.

- Mikrovalovno segrevanje pijač lahko povzroči zapoznelo eruptivno vrenje, zato morate biti pri ravnanju s posodo previdni.
- Vsebinske steklenice za hranjenje in kozarce hrane za dojenčke je treba pomešati ali pretresti ter pred uživanjem preveriti temperaturo, da preprečite opekline.
- Jajc v lupini in celih trdo kuhanih jajc se v mikrovalovnih pečicah ne sme segrevati, saj lahko eksplodirajo tudi po koncu mikrovalovnega segrevanja.
- Podrobnosti za čiščenje tesnil vrat, votlin in sosednjih delov.
- Pečico je treba redno čistiti in odstranjevati morebitne ostanke hrane.
- Če pečice ne čistite redno, lahko pride do razkrajanja površine, ki lahko negativno vpliva na življenjsko dobo naprave in lahko povzroči nevarne situacije.
- Uporabljajte samo temperaturno sondo, ki je priporočena za to pečico. (Za pečice, opremljene s funkcijo za uporabo sonde za zaznavanje temperature.)
- Mikrovalovno pečico je treba upravljati z odprtimi dekorativnimi vrati. (Za pečice z dekorativnimi vrati.)
- Aparat je namenjen uporabi v gospodinjstvu in za podobne namene, kot so:
 - čajne kuhinje v trgovinah, pisarnah in drugih delovnih okoljih;
 - hotelske in motelske sobe ter druge nastanitve za goste;
 - kmetije;
 - nastanitve tipa B&B.

- Mikrovalovna pečica je namenjena segrevanju hrane in pijač. Sušenje hrane ali oblačil in segrevanje grelnih blazinic, copat, gobic, vlažnih krp ter podobnega lahko povzroči nevarnost poškodb, vžiga ali požara.
- Med mikrovalovnim kuhanjem niso dovoljene kovinske posode za hrano in pijačo.
- Naprave ne čistite s parnim čistilnikom.
- Aparata ne smete vgraditi za dekorativna vrata, da se izognete pregrevanju. (To ne velja za aparate z dekorativnimi vrati.)
- Mikrovalovna pečica je namenjena uporabi kot vgradna mikrovalovna pečica.
- Aparat je treba upravljati z odprtimi vrati omarice.
- Pri odstranjevanju posod iz aparate je treba paziti, da se vrtljivi podstavek ne premakne. (Za fiksne aparate in vgrajene naprave, ki se uporabljajo na višini 900 mm ali višje nad tlemi in imajo snemljive vrtljive podstavke. Vendar, to ne velja za aparate z vodoravnimi vrati s tečaji na spodnji strani.)
- Površina predala za shranjevanje se lahko segreje.
- Za čiščenje stekla na vratih pečice ne uporabljajte grobih abrazivnih čistil ali ostrih kovinskih strgal, saj lahko opraskajo površino, zaradi česar se lahko steklo razbije.
- **OPOZORILO:** Aparat in njegovi dostopni deli se med delovanjem močno segrejejo. Poskrbite, da preprečite stik z grelnimi elementi. Otroci, mlajši od 8 let, naj se ne približujejo aparatu, razen če so pod stalnim nadzorom.

- Med uporabo in po njej se aparat segreje. Poskrbite, da preprečite stik z grelnimi elementi v pečici.
- OPOZORILO: Dostopni deli se lahko med uporabo in po njej segrejejo. Majhni otroci naj se ne približujejo aparatu.
- OPOZORILO: Ko naprava deluje v kombiniranem načinu, naj zaradi nastalih temperatur otroci pečico uporabljajo zgolj pod nadzorom odrasle osebe.

ZMANJŠEVANJE NEVARNOSTI POŠKODB OSEB, KI OPRAVLJAJO OZEMLJITEV

NEVARNOST

- Nevarnost električnega udara
- Dotikanje nekaterih notranjih komponent lahko povzroči hude telesne poškodbe ali smrt. Aparata ne razstavljajte.

OPOZORILO

- Nevarnost električnega udara
- Nepravilna uporaba ozemljitve lahko povzroči električni udar. Aparata ne vtikajte v vtičnico, dokler ni pravilno nameščena in ozemljena.
- Aparat mora biti ozemljen. V primeru električnega kratkega stika ozemljitev zmanjša tveganje električnega udara, saj zagotovi izhodno žico za električni tok.
- Ta aparat je opremljen s kablom, ki ima ozemljitveno žico z ozemljitvenim priključkom. Vtič mora biti priključen v vtičnico, ki je pravilno nameščena in ozemljena.
- Če navodil za ozemljitev ne razumete popolnoma ali dvomite glede pravilne ozemljitve aparata, se posvetujte z usposobljenim električarjem ali serviserjem.

- Če morate uporabiti podaljšek, uporabite samo 3-žični podaljšek.
 - Priložen je kratek napajalni kabel, da se zmanjša tveganje, ki izhaja iz zapletanja v daljši kabel ali spotikanja.
 - Če uporabljate dolg kabel ali podaljšek:
 - Označena električna napetost kabla ali podaljška mora biti vsaj tako visoka kot električna napetost aparata.
 - Podaljšek mora biti 3-žični kabel z ozemljitvijo.
 - Dolg kabel mora biti nameščen tako, da ne visi čez pult ali mizo, kjer ga lahko otroci povlečejo oziroma se je mogoče čez njega nenamerno spotakniti.

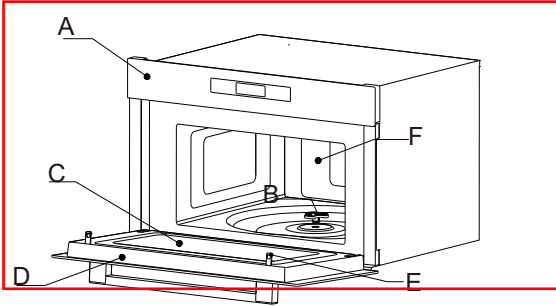
Materiali, ki jih lahko uporabljate v mikrovalovni pečici

Pripomočki	Opombe
Posoda za peko do rjave barve	Upoštevajte navodila proizvajalca. Dno posode za peko do rjave barve mora biti najmanj 3/16 inča (5 mm) nad vrtljivim podstavkom. Nepravilna uporaba lahko povzroči, da se vrtljivi podstavek zlomi.
Namizna posoda	Samo varna za uporabo v mikrovalovni pečici. Upoštevajte navodila proizvajalca. Ne uporabljajte razpokane ali okrušene posode.
Stekleni kozarci	Vedno odstranite pokrov. Uporabljajte samo za segrevanje hrane, dokler ni samo topla. Večina steklenih kozarcev ni odpornih na toploto in se lahko razbijejo.
Steklena posoda	Samo toplotno odporna steklena posoda. Prepričajte se, da posoda nima kovinske obloge. Ne uporabljajte razpokane ali okrušene posode.
Vrečke za kuhanje v pečici	Upoštevajte navodila proizvajalca. Ne zapirajte s kovinsko vezico. Naredite reže, da lahko para uhaja.
Papirnati krožniki in lončki	Uporabljajte samo za kratkotrajno kuhanje/segrevanje. Med kuhanjem ne puščajte pečice brez nadzora.
Papirnate brisače	Uporabite za pokrivanje hrane pri ponovnem segrevanju in absorpcijo maščobe. Uporabljajte samo pri kratkotrajnem kuhanju pod nadzorom.
Pergamentni papir	Uporabite kot pokrov za preprečevanje škropljenja ali kot ovoj pri parjenju.
Plastika	Samo varna za uporabo v mikrovalovni pečici. Upoštevajte navodila proizvajalca. Imeti mora oznako »Varna za uporabo v mikrovalovni pečici«. Nekatere plastične posode se zmečajo, ko se hrana v notranjosti segreje. »Vrečke za vretje« in tesno zaprte plastične vrečke je treba prerezati, preluknjati ali prezračevati, kot je opisano na njihovi embalaži.
Plastičen ovoj	Samo varna za uporabo v mikrovalovni pečici. Uporabljajte za pokrivanje hrane med kuhanjem, da ohranite vlago. Plastičen ovoj se ne sme dotikati hrane.
Termometri	Samo varni za uporabo v mikrovalovni pečici (termometri za meso in sladkor).
Peki papir	Uporabite kot pokrov za preprečevanje škropljenja in ohranjanje vlage.

Materiali, ki se jih je treba izogibati pri uporabi mikrovalovne pečice

Pripomočki	Opombe
Aluminijast pladenj	Lahko povzroči iskenje. Hrano prestavite v posodo, varno za uporabo v mikrovalovni pečici.
Kartonska embalaža za hrano s kovinskim ročajem	Lahko povzroči iskenje. Hrano prestavite v posodo, varno za uporabo v mikrovalovni pečici.
Kovinski pripomočki ali pripomočki s kovinsko oblogo	Kovina ščiti hrano pred mikrovalovno energijo. Kovinska obloga lahko povzroči iskenje.
Kovinske vezice	Lahko povzročijo iskenje in s tem požar v pečici.
Papirnate vrečke	Lahko povzročijo požar v pečici.
Plastična pena	Plastična pena se lahko stopi ali kontaminira tekočino, ki je v njej, ko je izpostavljena visoki temperaturi.
Les	Les se pri uporabi v mikrovalovni pečici posuši in se lahko razcepi ali razpoka.

Opis izdelka

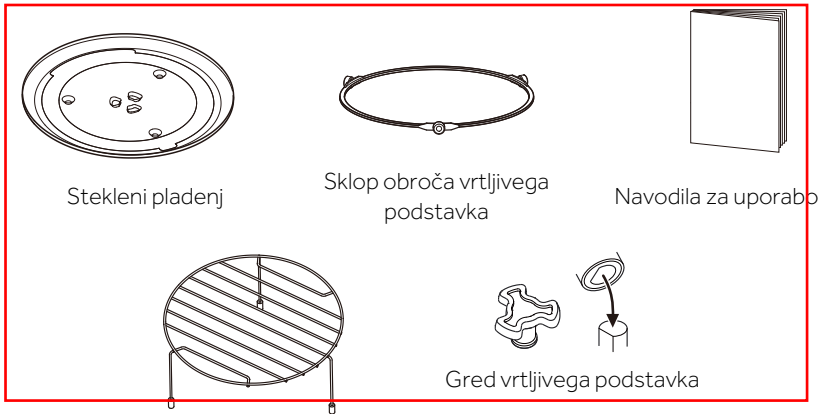


- A) Upravljalna plošča
- B) Gred vrtljivega podstavka
- C) Okno za opazovanje
- D) Sklop vrat
- E) Varnostni zaporni sistem
- F) Votlina pečice



DODATKI

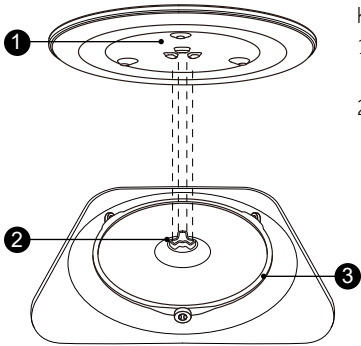
Pečico in vse materiale vzemite iz škatle in izpraznite prostor za peko. Pečica je opremljena z naslednjimi dodatki:



Zgornja rešetka. (Za peko na žaru, npr. zrezke, klobase in opečen kruh. Kot podpora za plitke jedi.)

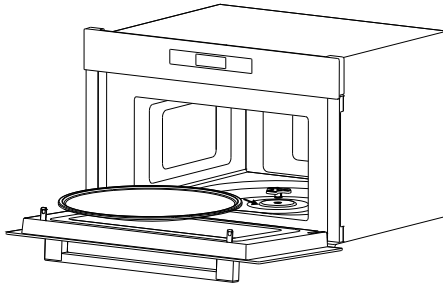
NAMESTITEV VRTLJIVEGA PODSTAVKA

Čiščenje predela za kuhanje in namestitev vrtljivega podstavka. Pri novih namestitvah se prepričajte, da je bila vsa embalaža in transportni trak odstranjena iz gredi vrtljivega podstavka. Pred prvo uporabo aparata za pripravo hrane boste morali vrtljivi podstavek pravilno namestiti. Očistiti morate predel za kuhanje in dodatke.



Kako namestiti vrtljivi pladenj:

1. Sklop obroča vrtljivega podstavka ③ namestite v vdolbino v predelu za kuhanje.
2. Postavite stekleni pladenj ① na sestav obroča vrtljivega podstavka ③. Dvignjene, ukrivljene črte namestite na sredino dna steklenega pladnja med tri špice na gredi. Prepričajte se, da se stekleni pladenj ① zaskoči v gred vrtljivega podstavka ② na sredini dna predela za kuhanje. Valji na gredi morajo biti vstavljeni v nastavek na spodnji strani vrtljivega podstavka.










Opomba:

1. aparata nikoli ne uporabljajte brez vrtljivega podstavka. Prepričajte se, da je pravilno zaskočen. Vrtljivi podstavek se lahko vrti v smeri urinega kazalca ali v nasprotni smeri urinega kazalca.
2. Steklenega pladnja nikoli ne nameščajte obrnjenega na glavo. Stekleni pladenj ne sme biti nikoli oviran.
3. Med kuhanjem je treba vedno uporabljati stekleni pladenj in sklop obroča vrtljivega podstavka.
4. Nekatero hrano in posode za hrano je treba pri kuhanju vedno postaviti na stekleni pladenj.
5. Nikoli ne ovirajte premikanja vrtljivega podstavka.
6. Če stekleni pladenj ali sklop obroča vrtljivega podstavka počí ali se zlomi, se obrnite na najbližji pooblaščen servisni center.

Kako izdelek deluje

UPRAVLJALNA PLOŠČA



Simbol	Funkcija
	Mikrovalovna pečica
	Funkcija
	Ura/Kuhinjski časovnik
	Samodejni meni
  3S	Zakleni/Prekliči
	Start/+30 sek./Potrdi

Uporaba aparata

UPORABA

Ime	Opis												
Nastavitev ure	<ol style="list-style-type: none">(1) Enkrat pritisnite gumb »Ura/Kuhinjski časovnik«, da se prikaže »00:00«.(2) Premaknite drsnik ali pritisnite »+« ali »-«, da nastavite številke ur. Čas bi moral biti med 0 in 23.(3) Pritisnite gumb »Ura/Kuhinjski časovnik«, da potrdite.(4) Premaknite drsnik ali pritisnite »+« ali »-«, da nastavite številke minut. Čas bi moral biti med 0 in 59.(5) Pritisnite gumb »Ura/Kuhinjski časovnik«, da potrdite.												
Kuhinjski časovnik	<ol style="list-style-type: none">(1) Dvakrat pritisnite gumb »Ura/Kuhinjski časovnik«, da se prikaže »00:00«.(2) Premaknite drsnik ali pritisnite »+« ali »-«, da nastavite čas. Čas bi moral biti med 0:05 in 95:00.(3) Pritisnite »Start/+30 sek./Potrdi«, da potrdite.												
Mikrovalovna pečica	<table border="1"><thead><tr><th>Stopnja moči</th><th>100 %</th><th>80 %</th><th>50 %</th><th>30 %</th><th>10 %</th></tr></thead><tbody><tr><td>Prikazovalnik</td><td>P10</td><td>P8</td><td>P5</td><td>P3</td><td>P1</td></tr></tbody></table> <ol style="list-style-type: none">(1) V stanju čakanja pritisnite gumb »Mikrovalovna pečica«, da se prikaže »P10«.(2) Večkrat pritisnite gumb »Mikrovalovna pečica«, da prilagodite stopnjo moči. Na voljo je 5 stopenj moči.(3) Premaknite drsnik ali pritisnite »+« ali »-«, da nastavite čas kuhanja.(4) Pritisnite »Start/+30 sek./Potrdi« za začetek kuhanja.	Stopnja moči	100 %	80 %	50 %	30 %	10 %	Prikazovalnik	P10	P8	P5	P3	P1
Stopnja moči	100 %	80 %	50 %	30 %	10 %								
Prikazovalnik	P10	P8	P5	P3	P1								
Žar	<ol style="list-style-type: none">(1) Enkrat pritisnite gumb »Funkcija«, da se prikaže »G-1«.(2) Premaknite drsnik ali pritisnite »+« ali »-«, da nastavite čas kuhanja.(3) Pritisnite »Start/+30 sek./Potrdi« za začetek kuhanja. <p>Opomba: Ob izteku polovice časa se oglasi zvočni signal, da vas opomni, naj hrano obrnete. Če ne izvedete nobenega dejanja, pečica nadaljuje z delovanjem.</p>												
Kombinacija	<ol style="list-style-type: none">(1) Enkrat pritisnite gumb »Funkcija«, da se prikaže »G-1«. Večkrat pritisnite gumb »Funkcija«, da izberete zeleno moč. Zaporedoma se prikazuje »C-1«, »C-2«, (2) Premaknite drsnik ali pritisnite »+« ali »-«, da nastavite čas kuhanja.(3) Pritisnite »Start/+30 sek./Potrdi« za začetek kuhanja. <p>Opomba: Navodila za kombinacije</p>												

	Navodila	Prikazovalnik	Mikrovalovna pečica	Žar	<input type="text"/>
	1	C-1	55%	45%	
	2	C-2	36%	64%	
	<input type="text"/>				
Odmrzovanje glede na težo	<p>(1) <input type="text"/> Dvakrat pritisnite gumb »Funkcija«, da se na zaslonu prikaže »0,1 kg«.</p> <p>(2) Premaknite drsnik ali pritisnite »+« ali »-«, da nastavite težo. Nastaviti jo je treba v razponu 100–2000 g.</p> <p>(3) Pritisnite »Start/+30 sek./Potrdi« za začetek odmrzovanja.</p>				
Odmrzovanje glede na čas	<p>(1) <input type="text"/> Trikrat pritisnite gumb »Funkcija«, da se na zaslonu prikaže »1:00«.</p> <p>(2) Premaknite drsnik ali pritisnite »+« ali »-«, da nastavite čas.</p> <p>(3) Pritisnite »Start/+30 sek./Potrdi« za začetek odmrzovanja.</p> <p>Opomba: Ko preteče polovica časa odmrzovanja, se oglasi zvočni signal, ki vas opomni, naj hrano obrnete. Če ne izvedete nobenega dejanja, pečica nadaljuje z delovanjem.</p>				
Hitro kuhanje	<p>(1) V stanju čakanja pritisnite gumb »Start/+30 sek./Potrdi« za kuhanje hrane s 100-odstotno močjo 30 sekund. Z vsakim pritiskom na isto tipko lahko čas podaljšate za 30 sekund, najdaljši čas pa je 95 minut.</p> <p>Opomba: Hitrega kuhanja ni mogoče nastaviti v odmrzovanju po teži, večstopenjskem in samodejnem meniju.</p>				
Funkcija zaklepanja za otroke	<p>S to funkcijo lahko otrokom preprečite, da bi pomotoma vklopili pečico. Aktiviranje ključavnice:</p> <p>V stanju čakanja pritisnite in pridržite tipko »Zakleni/Prekliči« tri sekunde. Oglasi se dolg pisk in prikaže se ikona zaklepanja. Deaktiviranje ključavnice:</p> <p>V zaklenjenem stanju pritisnite in pridržite tipko »Zakleni/Prekliči« tri sekunde. Oglasi se dolg pisk.</p>				
Funkcija poizvedbe	<p>(1) Če je bila nastavljena ura, se ob pritisku na gumb »Ura/Kuhinjski časovnik« med kuhanjem za tri sekunde prikaže trenutni čas.</p>				

Samodejni meni	<ol style="list-style-type: none">(1) V stanju čakanja pritisnite gumb »Samodejni meni«, da se na zaslonu prikaže »A-1«.(2) Večkrat pritisnite gumb »Samodejni meni«, da izberete meni, ki ga potrebujete. Na voljo je 8 samodejnih menijev.(3) Premaknite drsnik ali pritisnite »+« ali »-«, da nastavite težo hrane.(4) Pritisnite »Start/+30 sek./Potrdi« za začetek kuhanja.
-----------------------	---

GRAFIKON SAMODEJNEGA MENIJA

Meni	Teža (g)	Prikazovalnik	Moč
A-1 KROMPIR	1 (približno 230 g)	1	P100
	2 (približno 460 g)	2	
	3 (približno 690 g)	3	
A-2 MESO	150 g	150 g	P80
	300 g	300 g	
	450 g	450 g	
	600 g	600 g	
A-3 RIBE	150 g	150 g	P80
	250 g	250 g	
	350 g	350 g	
	450 g	450 g	
	650 g	650 g	
A-4 ZELENJAVA	150 g	150 g	P100
	350 g	350 g	
	500 g	500 g	
A-5 PIJAČA	1 skodelica (240 g)	1	P100
	2 skodelici (480 g)	2	
	3 skodelice (720 g)	3	
A-6 TESTENINE	50 g (hladna voda 450 g)	50 g	P80
	100 g (hladna voda 800 g)	100 g	
	150 g (hladna voda 1200 g)	150 g	
A-7 POKOVKA	100 g	100 g	P100
A-8 PICA	200 g	200 g	P100+G-1
	400 g	400 g	

Čiščenje in servisiranje

Aparat odklopite z napajanja.

1. Po uporabi prostor za peko očistite z rahlo vlažno krpo.
2. Dodatke kot običajno očistite z milnico.
3. Ko so okvir vrat, tesnilo in sosednji deli umazani, jih je treba skrbno očistiti z vlažno krpo.
4. Za čiščenje stekla na vratih pečice ne uporabljajte grobih abrazivnih čistil ali ostrih kovinskih strgal, saj lahko opraskajo površino, zaradi česar se lahko steklo razbije.
5. Nasvet za čiščenje – za lažje čiščenje sten prostora za peko, ki se jih lahko kuhana hrana dotakne: Polovico limone položite v skledo, dolijte 300 ml (1/2 vrčka) vode in 10 minut segrevajte na 100 % mikrovalovne energije. Pečico obrišite z mehko, suho krpo.

Varovanje okolja in odstranjevanje

ODPRAVLJANJE NAPAK

Običajno	
Mikrovalovna pečica moti televizijski sprejem	Ko mikrovalovna pečica deluje, lahko pride do motenj pri radijskem in televizijskem sprejemu. Motnja je podobna motnjam malih električnih aparatov, kot so mešalnik, sesalnik in električni ventilator. To je običajno.
Zatemnjena luč pečice	Pri mikrovalovnem kuhanju z nizko močjo lahko luč v pečici postane medla. To je običajno.
Kopičenje pare na vratih, vroč zrak iz zračnikov	Pri kuhanju lahko iz hrane prihaja para. Večina pare se izloči prek zračnikov. Nekaj pare pa se lahko nakopiči na hladnih mestih, kot so vrata pečice. To je običajno.
Pečica se je nehote vklopila, v njej pa ni hrane.	Enota ne sme delovati brez hrane v njej. To je zelo nevarno.

Težava	Možen vzrok	Rešitev
Pečice ni mogoče zagnati.	(1) Napajalni kabel ni čvrsto priključen.	Izvlomite vtič. Nato ga po 10 sekundah ponovno priključite.
	(2) Varovalka je pregorela ali se je sprožil prekinjevalec električnega tokokroga.	Zamenjajte varovalko ali ponastavite prekinjevalec električnega tokokroga (popravilo opravi strokovno osebje našega podjetja)
	(3) Težave z vtičnico.	Preskusite vtičnico z drugimi električnimi aparati.
Pečica se ne segreva.	(4) Vrata niso dobro zaprta.	Dobro zaprite vrata.



V skladu z direktivo o odpadni električni in elektronski opremi (OEEO) je treba OEEO zbirati in predelati ločeno. Če boste morali ta izdelek v prihodnosti zavreči, ga NE odložite med gospodinjne odpadke. Prosimo, da izdelek pošljete na zbirno mesto OEEO, kjer je na voljo.

Vgradnja

NAMESTITEV IN PRIKLJUČITEV

1. Ta aparat je namenjen samo za domačo uporabo.
2. Ta pečica je namenjena samo za vgradnjo. Ni namenjena za uporabo na pultu ali v omarici.
3. Upoštevajte posebna navodila za namestitev.
4. Napravo lahko namestite v stensko omarico širine 60 cm.
5. Aparat je opremljen z vtičem in se ga lahko priključi izključno v pravilno nameščeno ozemljeno vtičnico.
6. Omrežna napetost se mora ujemati z napetostjo, navedeno na nazivni ploščici.
7. Vtičnica mora biti nameščena, priključni kabel pa lahko zamenja izključno usposobljen električar. Če vtič po namestitvi ni več dostopen, mora biti na strani namestitve prisotna vsepolna odklopna naprava s kontaktno režo najmanj 3 mm.
8. Adapterjev, razdelilnikov in podaljškov se ne sme uporabljati. Preobremenitev lahko povzroči nevarnost požara.

Dostopna površina je lahko med delovanjem in po delovanju vroča.



VGRADNA PEČICA

Model: HWO38MG2BHXBD / HWO38MG2IHXB

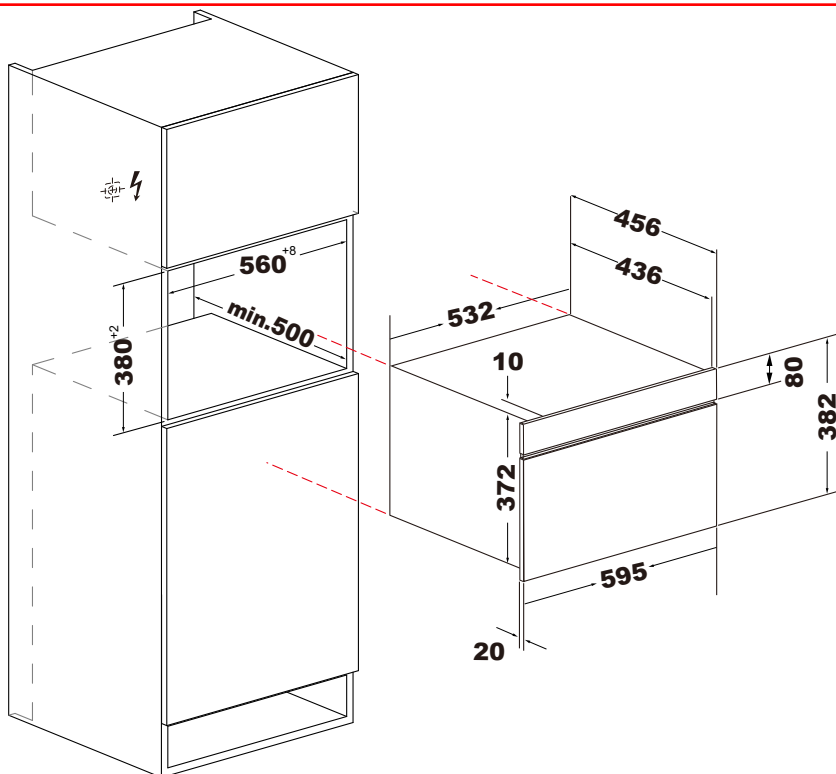
VGRADNJA

Dimenzije so navedene v mm.

Enote, v katere je vgrajen aparat, morajo biti toplotno odporne do 95 °C.

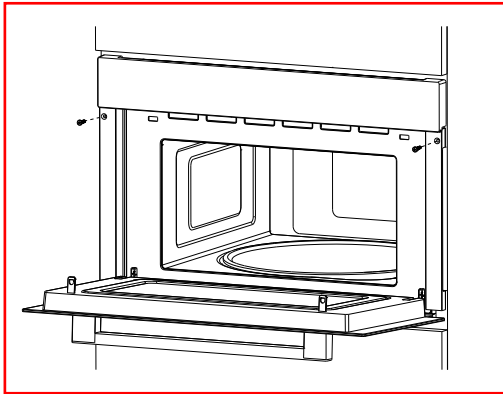
Najmanjša višina za namestitev je 850 mm.

Ne uporabljajte pod delovno površino in ne polivajte iz posode na površino, kjer je pritrjen aparat.



Vgradnja

- Aparata ne držite ali nosite tako, da bi držali za ročaj vrat. Ročaj na vratih ne more prenašati teže naprave in se lahko odloži.
1. Mikrovalovno pečico previdno potisnite v odprtino in se prepričajte, da je na sredini.
 2. Odprite vrata in pritrdite mikrovalovno pečico s priloženimi vijaki.



- Aparat popolnoma vstavite ga sredinsko poravnajte.
- Ne upogibajte priključnega kabla.
- Napravo privijte na svoje mesto.

Pomembne informacije o vtiču

Priključitev v električno omrežje

Aparat je opremljen z vtičem in se ga lahko priključi izključno v pravilno nameščeno ozemljeno vtičnico. Vtičnico lahko namesti ali kabel zamenja le usposobljen električar, ki upošteva ustrezne predpise. Če vtič po namestitvi ni več dostopen, mora biti na strani namestitve prisotno vsepolno odklopno stikalo s kontaktno režo najmanj 3 mm.

Pri namestitvi mora biti zagotovljena zaščita stika.

Zaščita z varovalkami: glejte navodila za uporabo – tehnične podatke.

Pomembne informacije brez vtiča

Aparat je zasnovan tako, da ga je mogoče trajno vgraditi s tripolnim napajalnim kablom in ga lahko priključi le pooblaščen strokovnjak v skladu s povezovalnim diagramom.

Napajalni kabel lahko zamenja samo usposobljen električar, ki upošteva ustrezne predpise. Ne uporabljajte več vtičev, razdelilnikov ali podaljškov. Preobremenitev povzroči tveganje požara.

Če priključek po namestitvi ni več dostopen, mora biti zagotovljeno vsepolno odklopno stikalo s kontaktno režo najmanj 3 mm.

Priključite žice omrežnega napajalnega kabla v skladu z naslednji barvno shemo:

Zelena in rumena Ozemljitvena žica (E)

Modra Nevtralna žica (N)

Rjava Pod napetostjo (L)

Velika Britanija in Avstralija:

Aparata ne priključujte z vtičem 13 A in je ne zaščitite z varovalko 13 A. Aparat je treba zaščititi z varovalko, ki ima nazivno vrednost 16 A ali višjo. Aparat je treba med vsemi namestitvenimi deli izključiti iz napajanja. Ko je aparat nameščen, je treba zagotoviti zaščito pred naključnim stikom v prihodnosti.

Haier

Serial number

Write here your serial number for future reference.

PN:16170000A99714