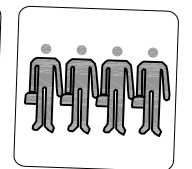
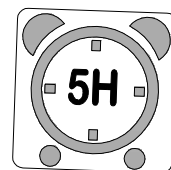
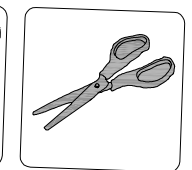
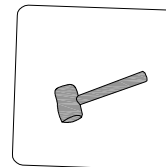
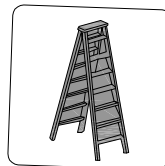
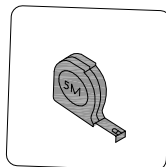
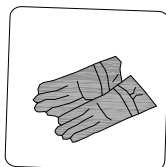
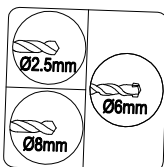
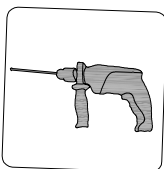
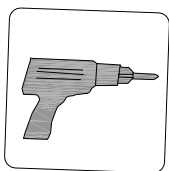


# AVE -I 8x12



# Assembly Preparation

## Owner's Manual

Please check local building codes regarding footings, location and other requirements before beginning construction.

## Assembly instructions:

Reviewing all instructions and the appropriate information before you begin, make sure following the step sequence carefully for successful results.

## Flooring base:

A good location for the storage building is a square and level area with good drainage. The base is not included in the kit which may need purchase separately or may construct a foundation and anchoring system of your own. The foundation base should be 10 cm larger than the base rail of the shed (minimum 10cm thickness concrete slab is recommended).

A strong plastic sheet (thickness: at least 150µm) should be placed under the foundation to assist in reducing rising dampness from the soil, thus reducing condensation build up in the shed. Your storage building must be anchored to prevent wind damage.

## Parts and Parts List:

Before you start, check to be sure that you have all the necessary parts for your building (refer to the Parts List Page). Do not attempt to assemble the building if parts are missing because any building left partially assembled may be seriously damaged by light winds.

Please tear off the safety protection layer before assembly, keep the part number label if needed.

## Tools you need:

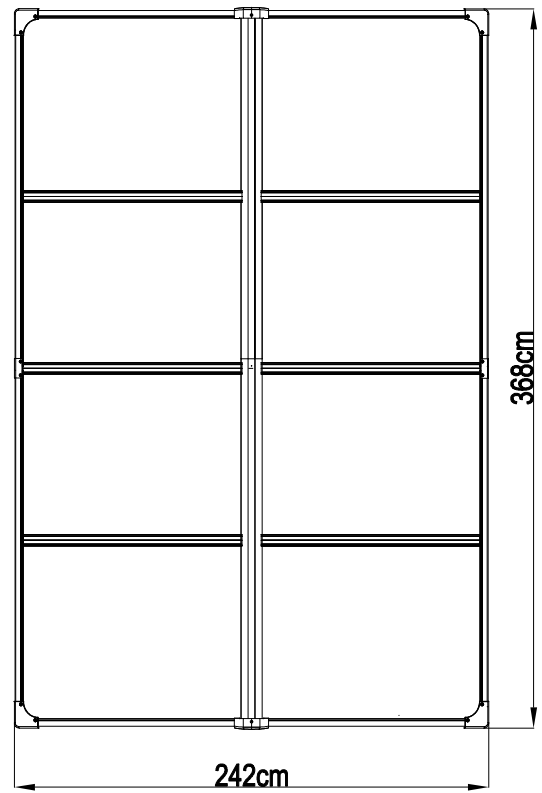
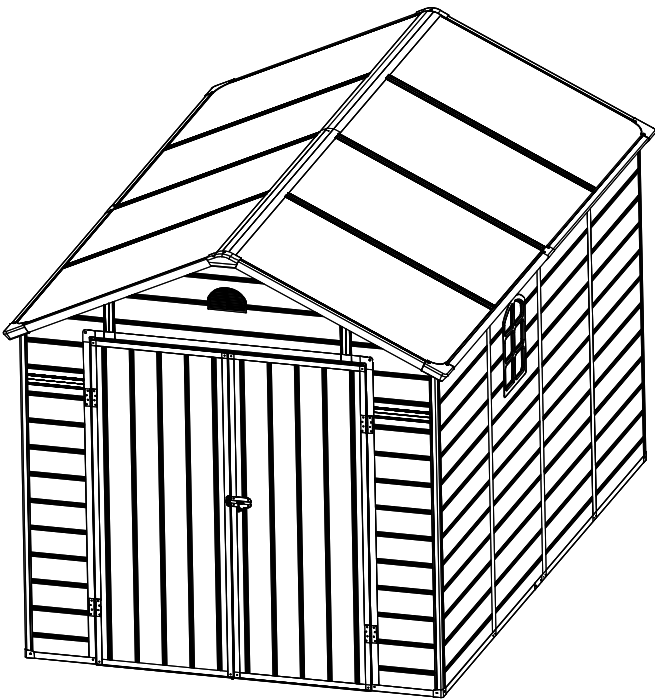
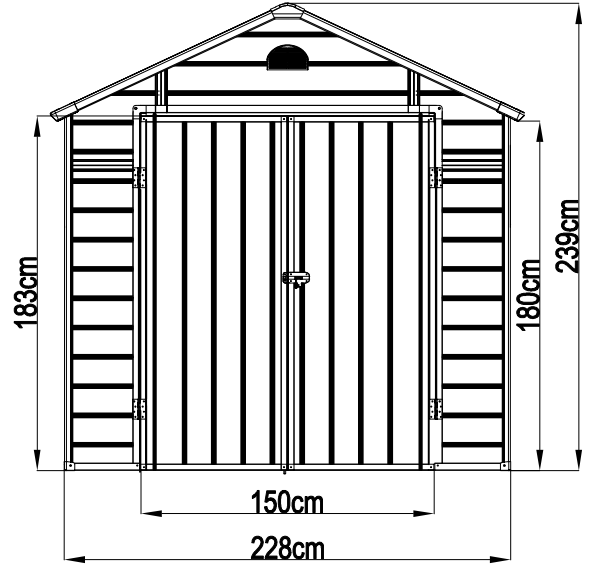
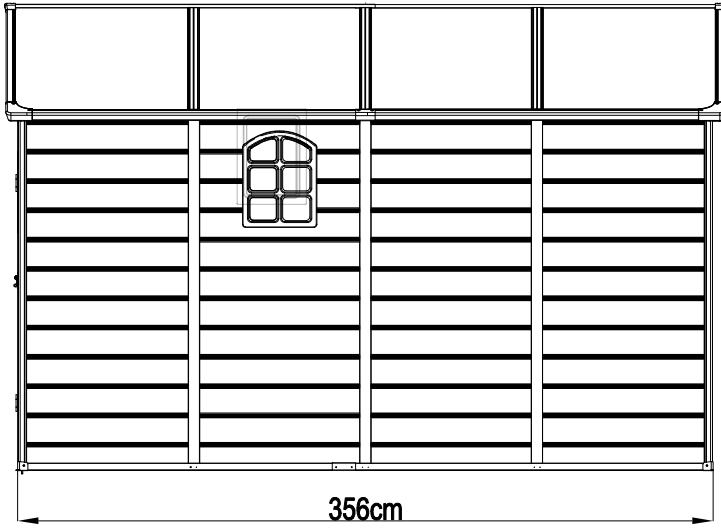


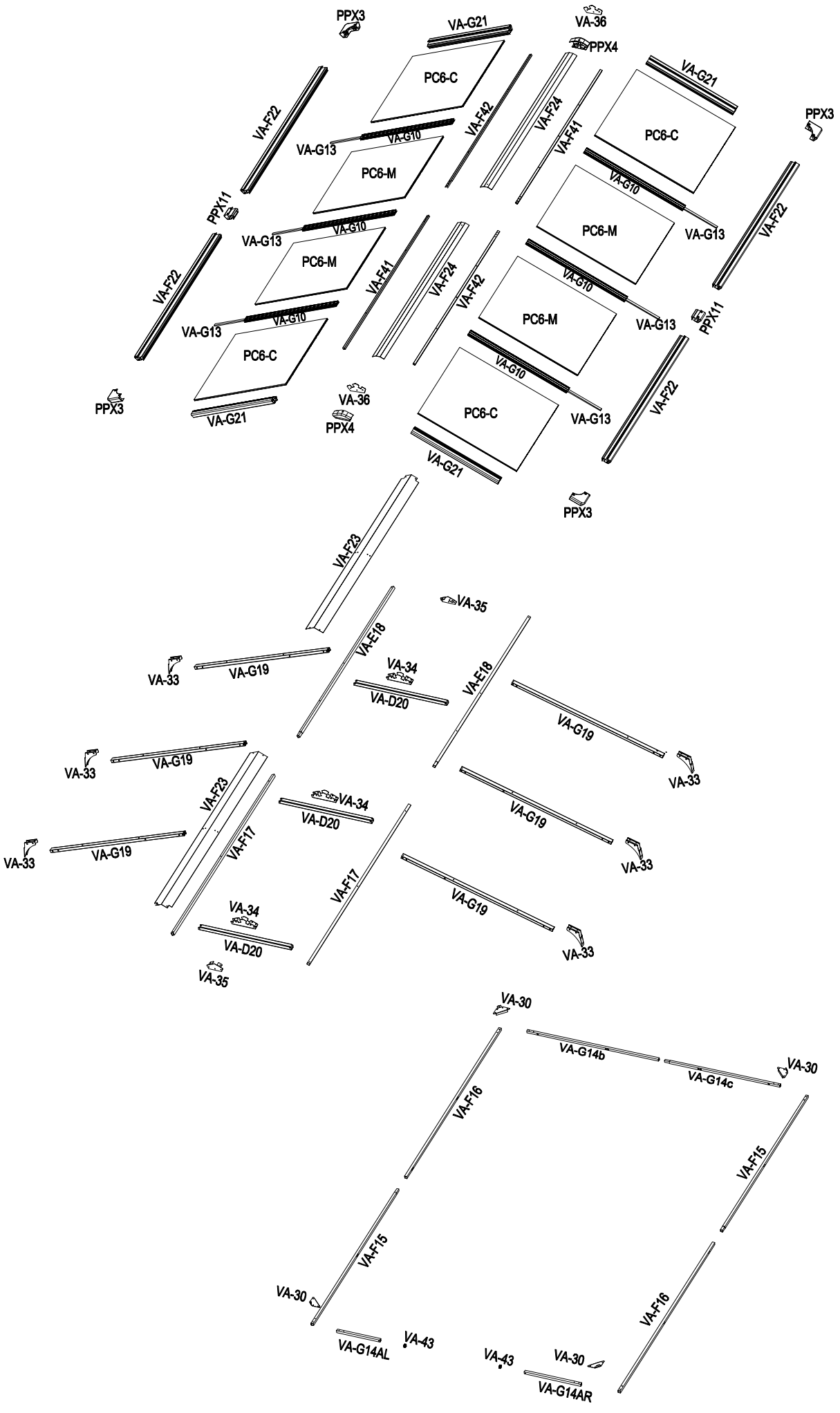
## Safety must be put in the No. 1 position:

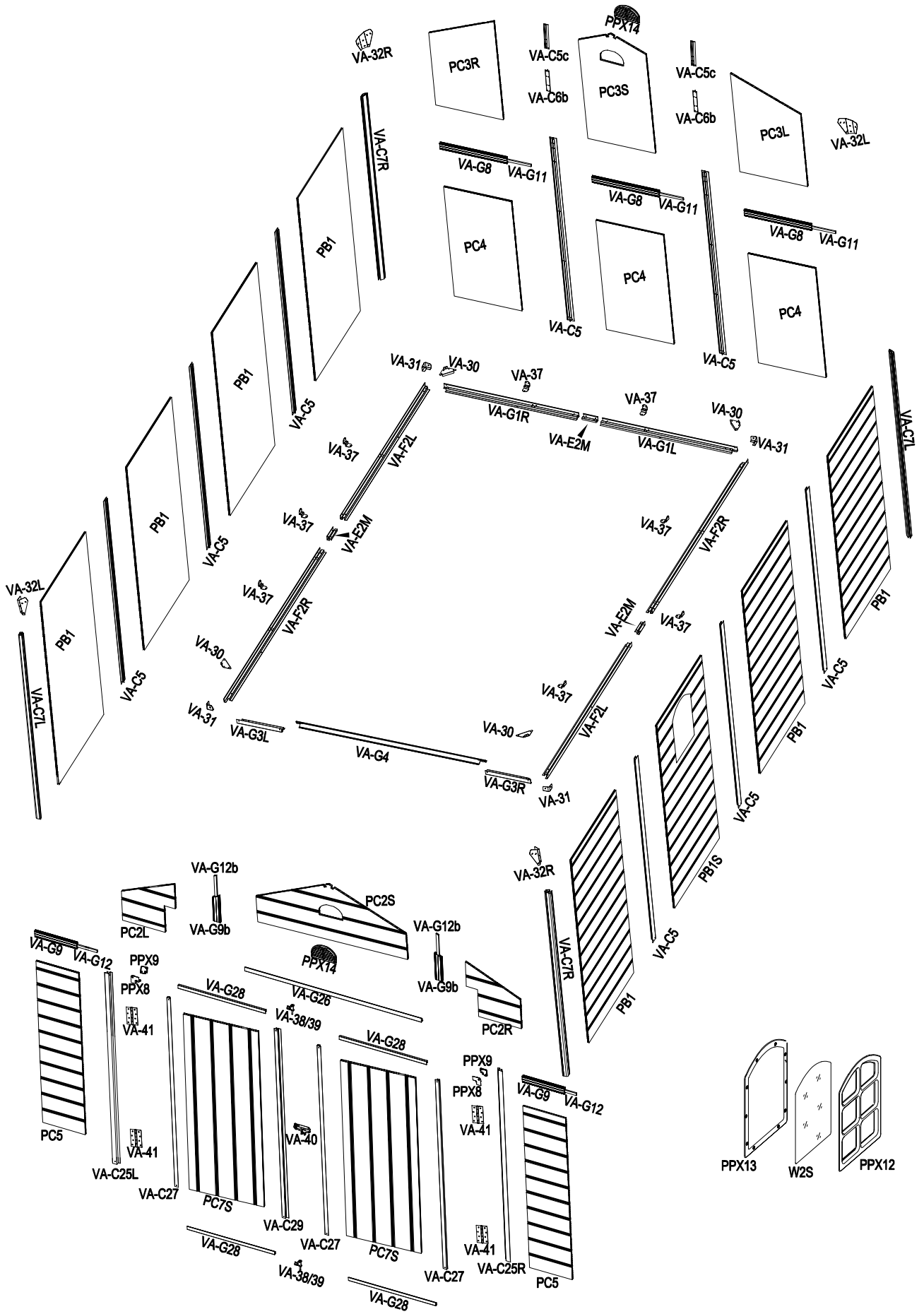
1. Select a dry and calm day for your assembly. Team works (Two or more people) are required during the assembly. It is also recommended to finish the assembly in a day to avoid damage to the product or missing of some small parts. Keep all small parts (screws etc.) in a bowl so they do not get lost.
2. Wearing safety gloves, eye protection and long sleeves during the assembly to prevent injury. Pay attention to the sharp edge of some parts.
3. Children and pets are not allowed entering into the construction site.
4. Never concentrate your total weight on the roof of the building. When using a step ladder make sure that it is safe.

## Care & Maintenance:

1. Keep the shed clean with soft cloth, use water if necessary.
2. Clean the snow timely with necessary tools to make sure it is safe to enter into.
3. The shed is not made for living but storing stuff.






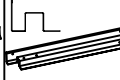

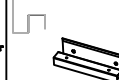
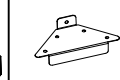
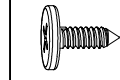


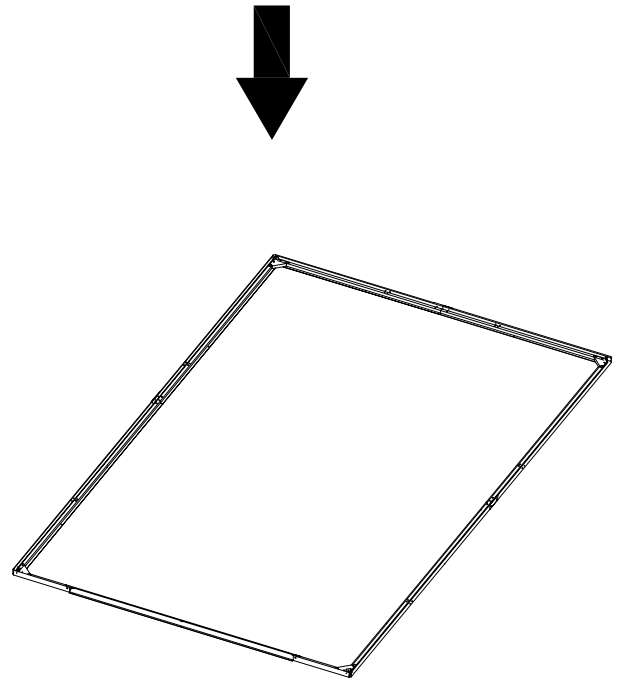
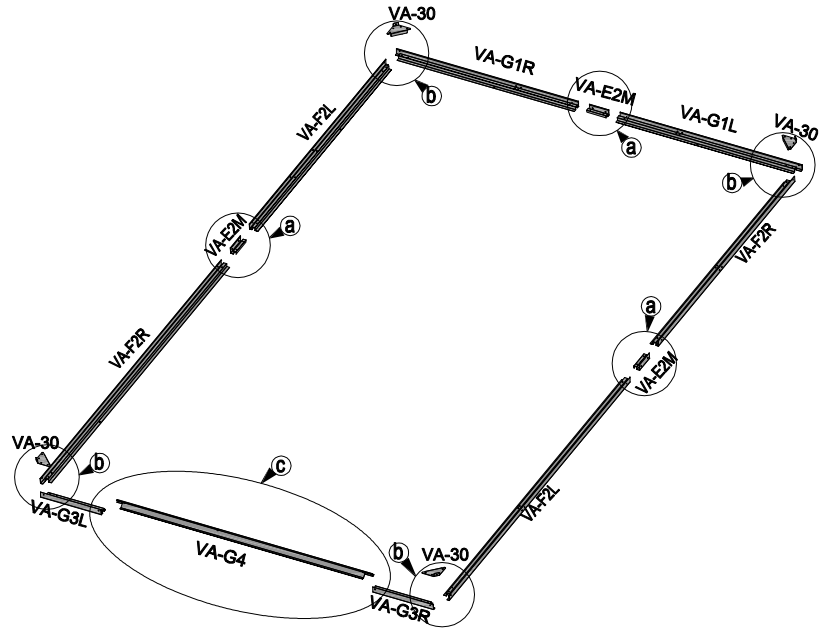
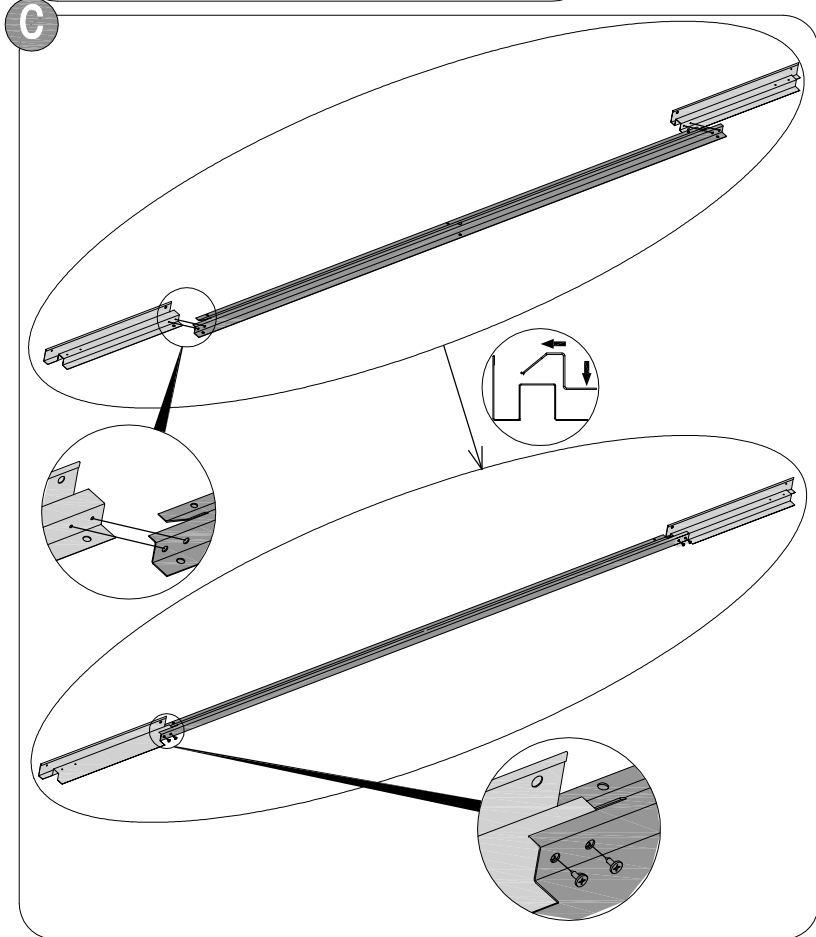
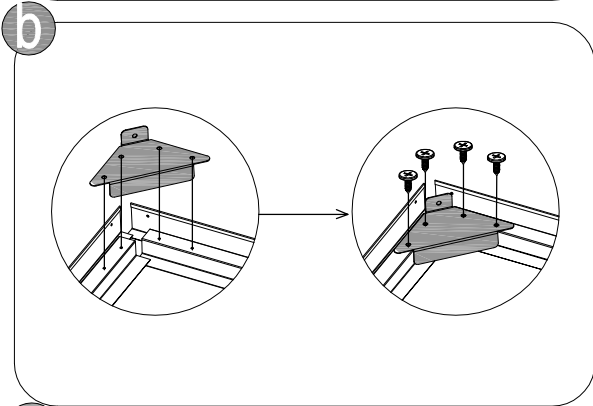
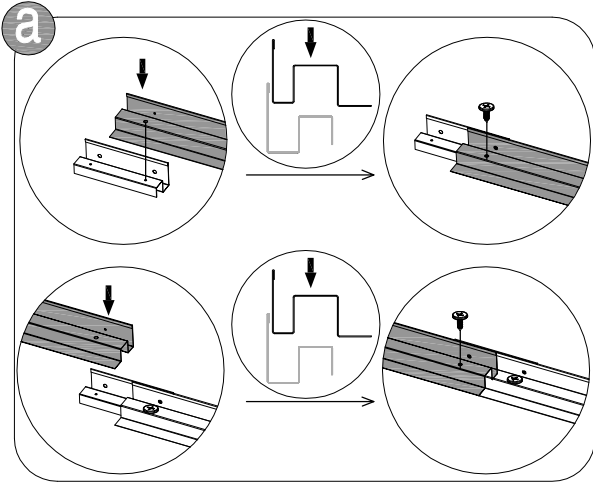




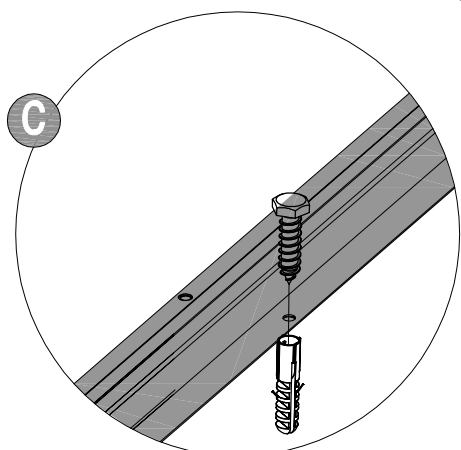
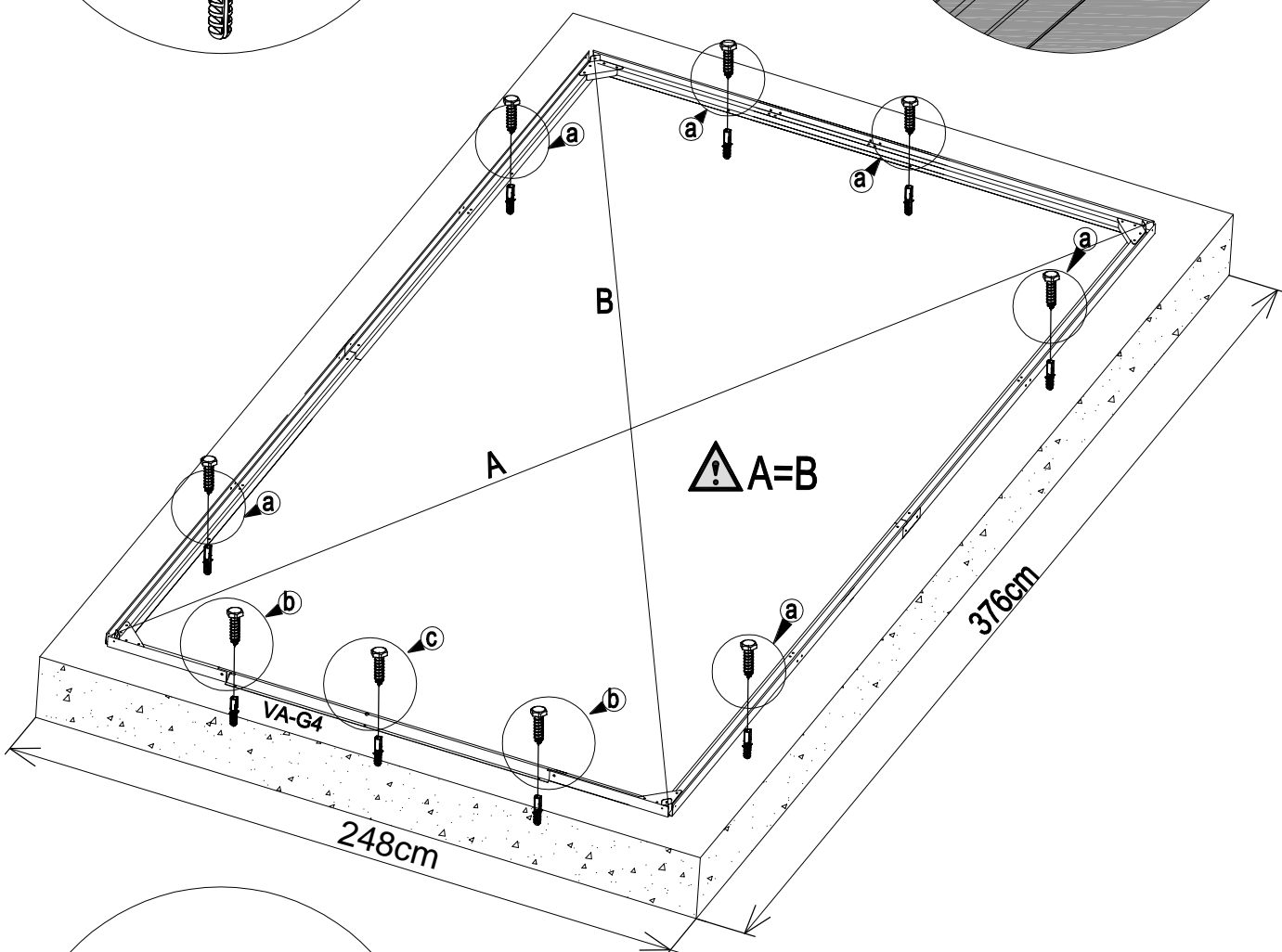
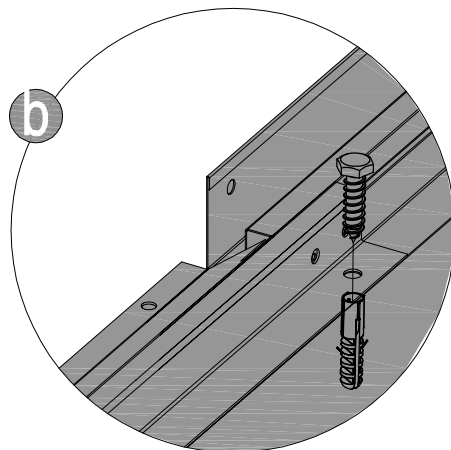
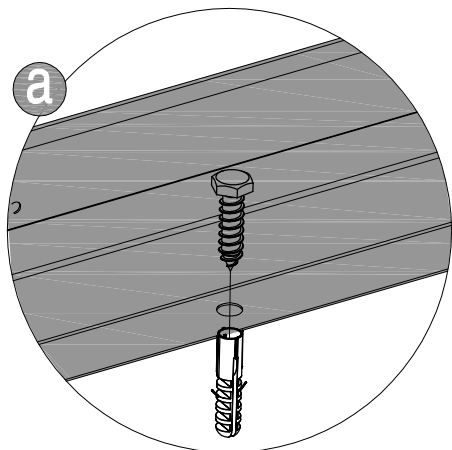
VA-G1L		1132mm	x1	3/3
VA-G1R		1132mm	x1	3/3
VA-F2R		1880mm	x2	3/3
VA-F2L		1660mm	x2	3/3
VA-G3R		377mm	x1	3/3
VA-G3L		377mm	x1	3/3
VA-E2M			120mm	x3
VA-G4		1588mm	x1	3/3
VA-30			x8	2/3
VA-31			x4	2/3
VA-37			x8	2/3
PB1		876x1840mm	x7	1/3
PB1S		876x1840mm	x1	1/3
PC2S		1270x542mm	x1	2/3
PC2L		461x493mm	x1	2/3
PC2R		461x493mm	x1	2/3
PC3L		743X1072mm	x1	1/3
PC3R		743X1072mm	x1	1/3
PC3S		743X1248mm	x1	2/3
PC4		743X1100mm	x3	2/3
PC5		365X1548mm	x2	1/3
VA-C7R		1860mm	x2	1/3
VA-C7L		1860mm	x2	1/3
VA-C5		1840mm	x8	3/3
VA-C5c		365mm	x2	3/3
VA-C6b		200mm	x2	3/3
PPX12			x1	2/3
W2S			x1	2/3
PPX13			x1	2/3
VA-G8		738mm	x3	2/3
VA-G9		360mm	x2	2/3
VA-G9b		254mm	x2	2/3
VA-G11		740mm	x3	3/3
VA-G12		362mm	x2	3/3
VA-G12b		225mm	x2	3/3
VA-G14b		1200mm	x1	3/3
VA-G14c		1052mm	x1	3/3
VA-G14AL		345mm	x1	3/3
VA-G14AR		345mm	x1	3/3
VA-F15		1850mm	x2	3/3
VA-F16		1678mm	x2	3/3
VA-F17		1857mm	x2	3/3
VA-E18	1745mm	x2	3/3	
VA-G19		1181mm	x6	3/3
VA-D20		725mm	x3	3/3
VA-33			x6	3/3
VA-34			x3	3/3
VA-F23		1788mm	x2	3/3

VA-36			x2	2/3
VA-32R			x2	2/3
VA-32L			x2	2/3
VA-35			x2	2/3
PPX14			x2	2/3
PPX8			x2	2/3
PPX9			x2	2/3
VA-43			x2	2/3
PC6-C		1285X920mm	x4	2/3
PC6-M		1285X856mm	x4	2/3
VA-G10		1285mm	x6	2/3
VA-G13		1285mm	x6	3/3
VA-G21		1165mm	x4	2/3
VA-F22		1722.5mm	x4	3/3
VA-F24		1880.5mm	x2	3/3
VA-F41		1863mm	x2	3/3
VA-F42		1862mm	x2	3/3
PPX3			x4	2/3
PPX4			x2	2/3
PPX11			x2	2/3
VA-C25R		1830mm	x1	3/3
VA-C25L		1830mm	x1	3/3
VA-G26		1508mm	x1	3/3
VA-C27		1812mm	x3	3/3
VA-G28		747mm	x4	3/3
VA-C29		1812mm	x1	3/3
PC7S		1810x746mm	x2	1/3
VA-41			x4	2/3
VA-38a			x2	2/3
VA-38b			x2	2/3
VA-39			x2	2/3
VA-40			x1	2/3
CN-A33			x2	2/3
PA01			x3	2/3
VA-T44		ST4.2x13mm	x424	2/3
VA-T45		ST4.2x19mm	x127	2/3
VA-T46		ST4.2x13mm	x59	2/3
VA-T47		ST4.2x19mm	x4	2/3
VA-T48		ST6.0x40mm	x17	2/3
VA-T49		ST4.2x13mm	x22	2/3
VA-T50		M6x40mm	x30	2/3
VA-51			x1	2/3
VA-T52			x2	2/3
VA-53			x3	2/3

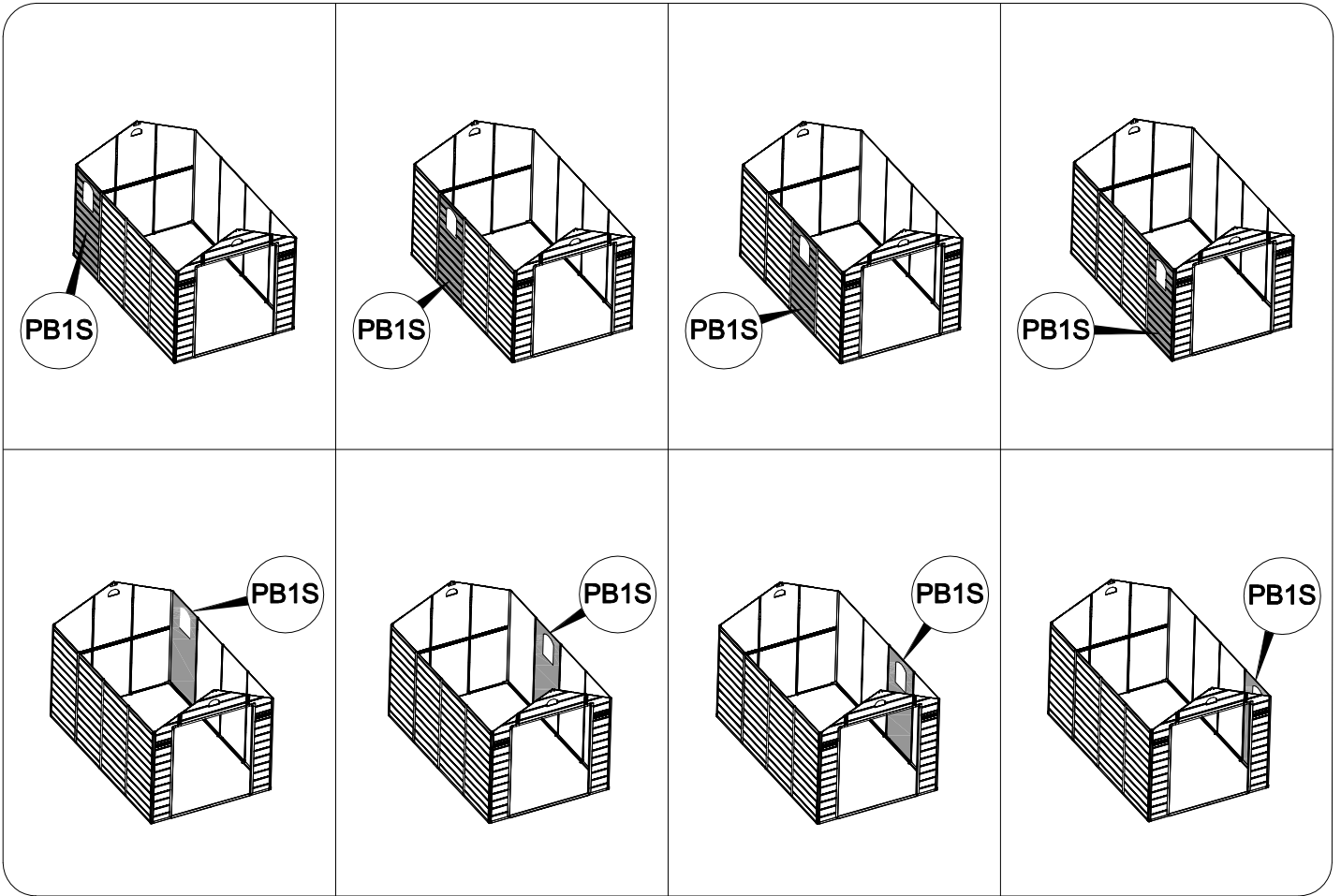
<b>1</b>	 VA-F2L [x2] 1660mm	 VA-F2R [x2] 1880mm	 VA-G1R [x1] 1132mm	 VA-G1L [x1] 1132mm	 VA-G3L [x1] 377mm	 VA-G3R [x1] 377mm	 VA-G4 [x1] 1588mm	 VA-E2M [x2] 120mm	 VA-30 [x4]	 VA-T44 [x26] 13mm
----------	--	--	--	--	---	---	--	---	---	---

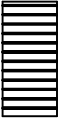





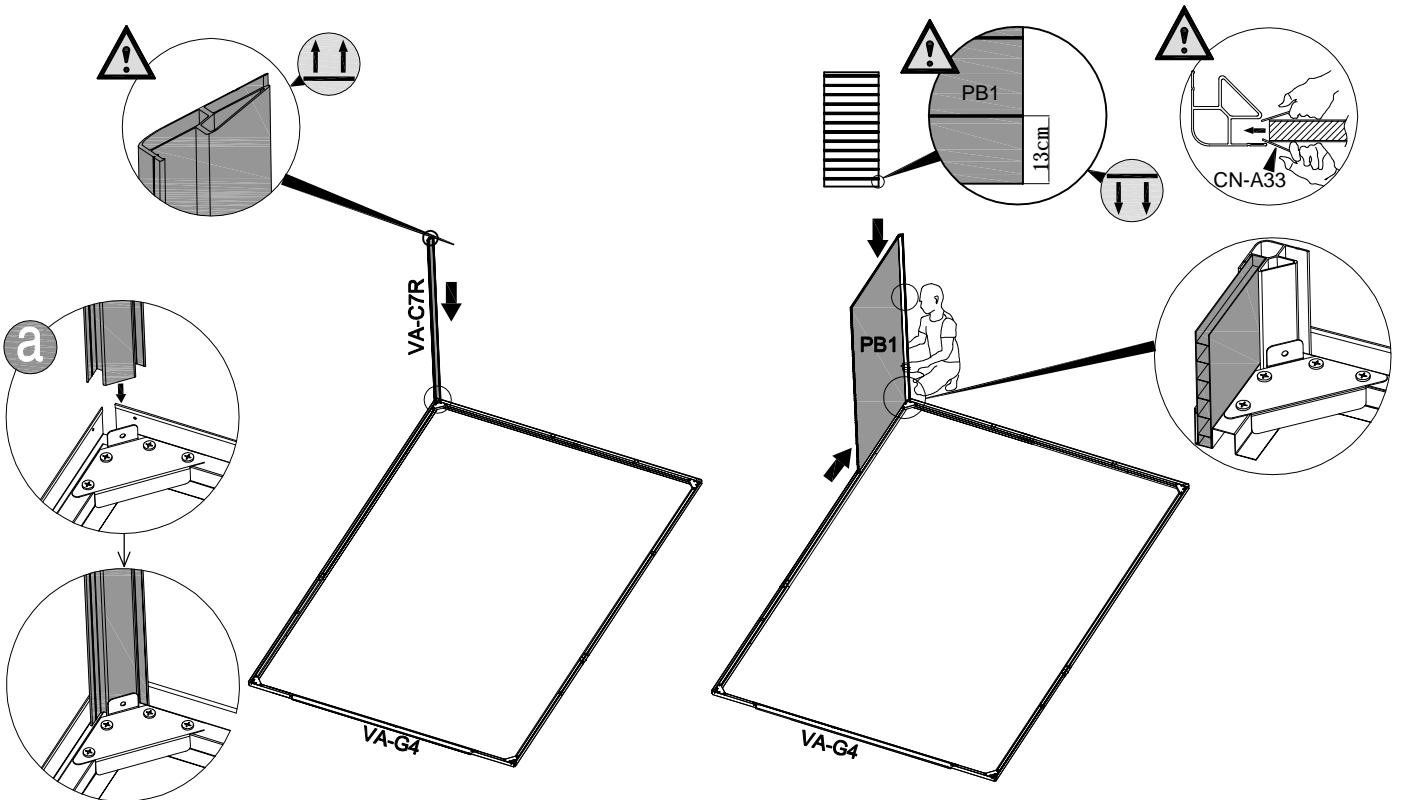
2







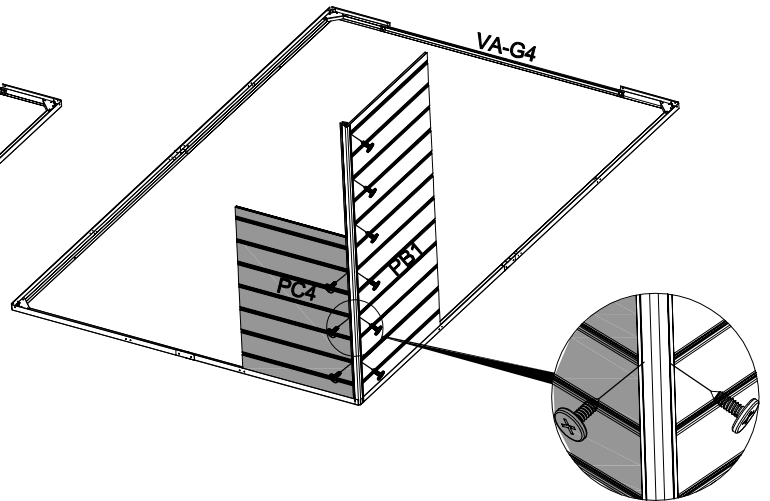
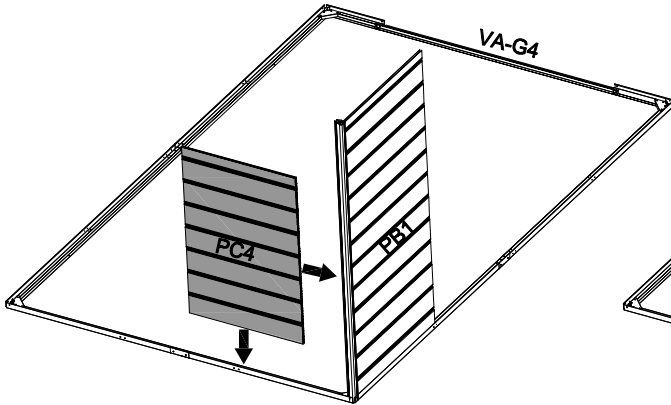
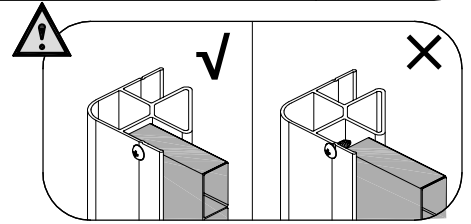
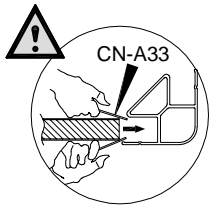
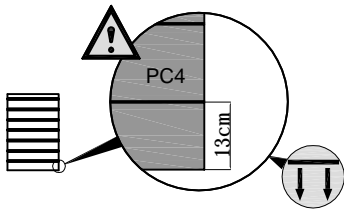





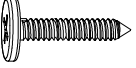




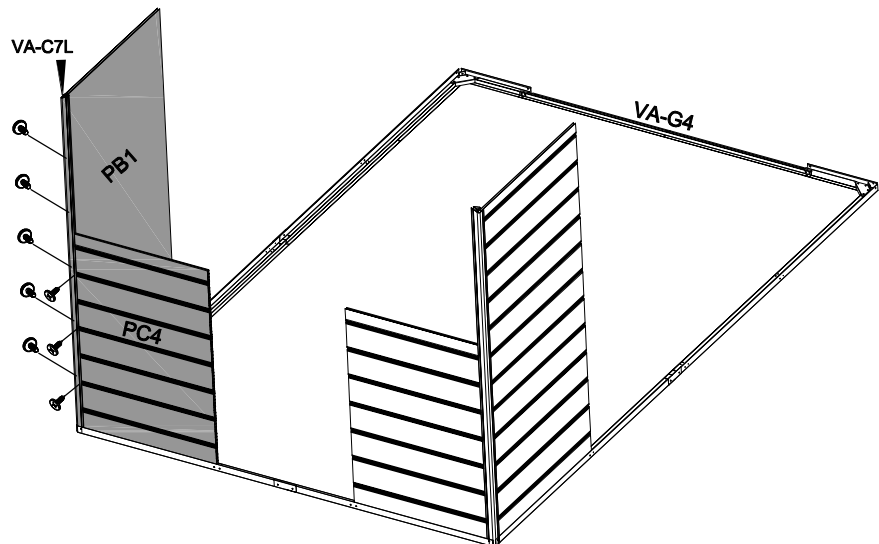
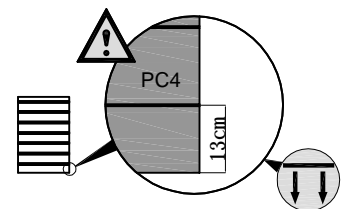
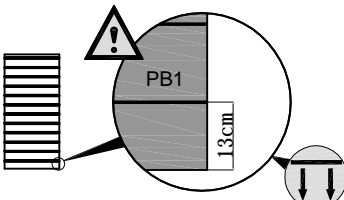
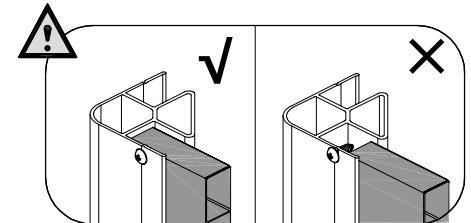
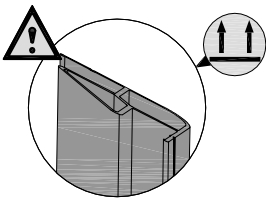
<b>3</b>	 PB1 [x1] 876x1840mm	 VA-C7R [x1] 1860mm	 CN-A33	
----------	---	--	---	---

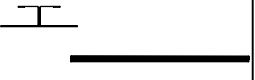




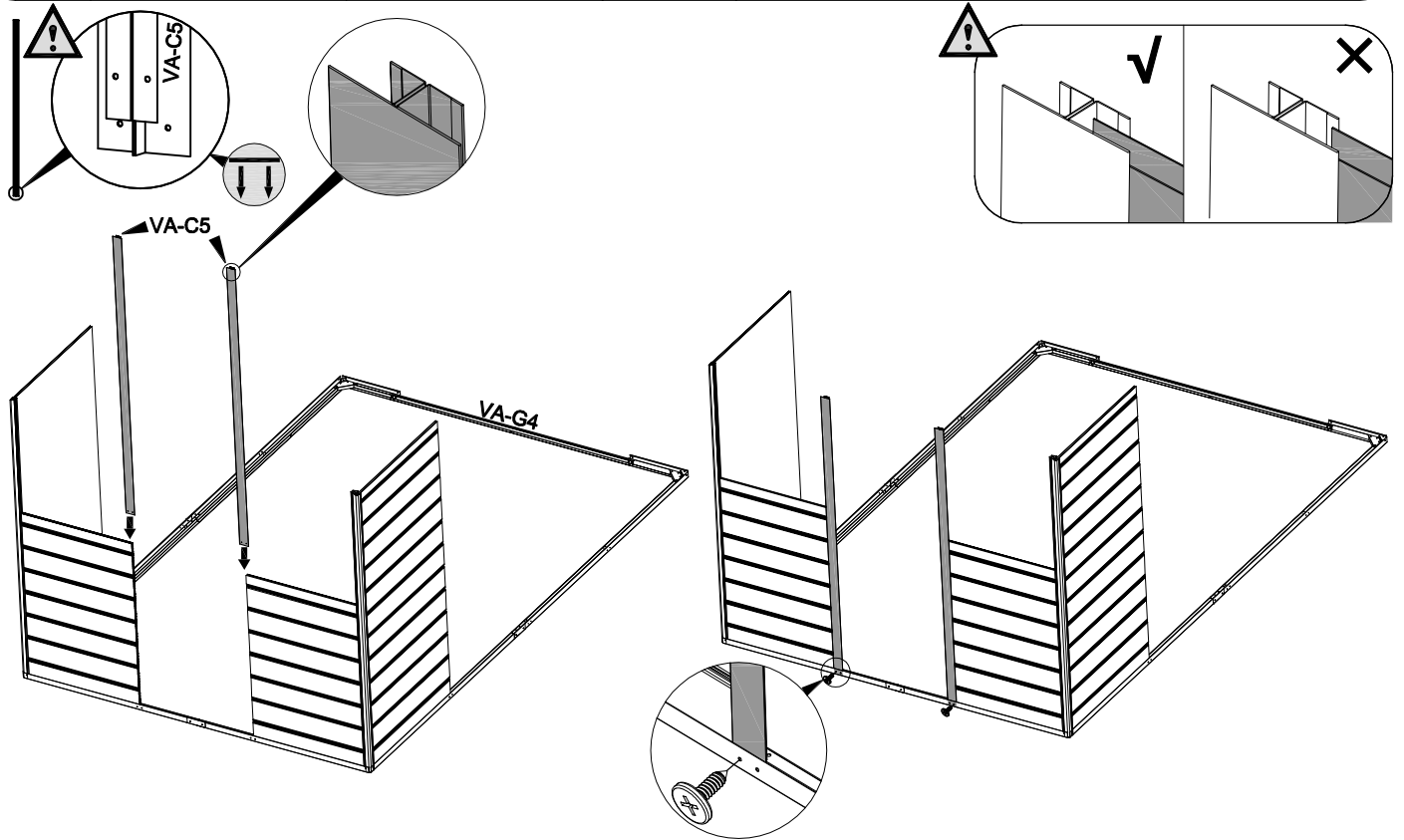
<b>4</b>	 PC4 [x1] 743x1100mm	 VA-T45 [x9] 19mm	 CN-A33	
----------	---	--	---	---


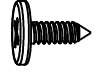
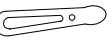



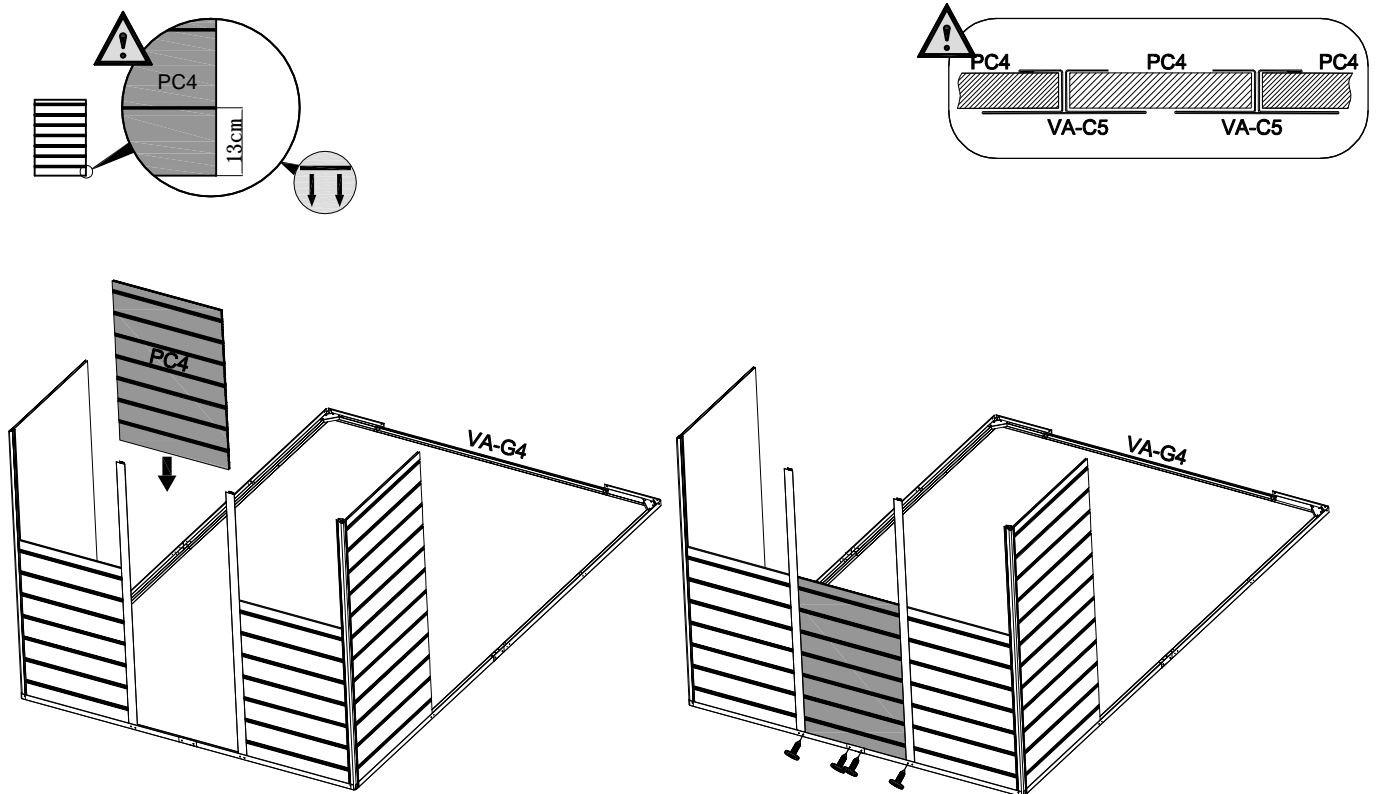
<b>5</b>	 VA-C7L [x1] 1860mm	 PB1 [x1] 876x1840mm	 PC4 [x1] 743x1100mm	 VA-T45 [x9] 19mm	 CN-A33	
----------	--	---	---	--	---	---





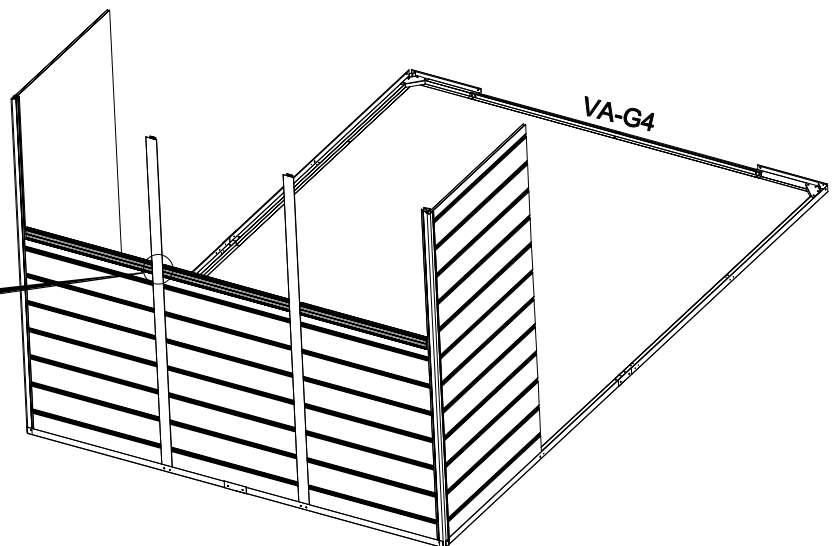
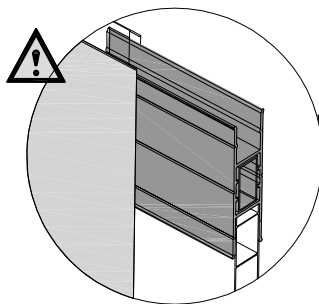
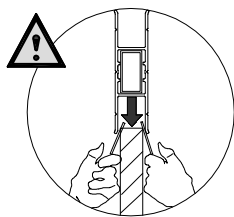
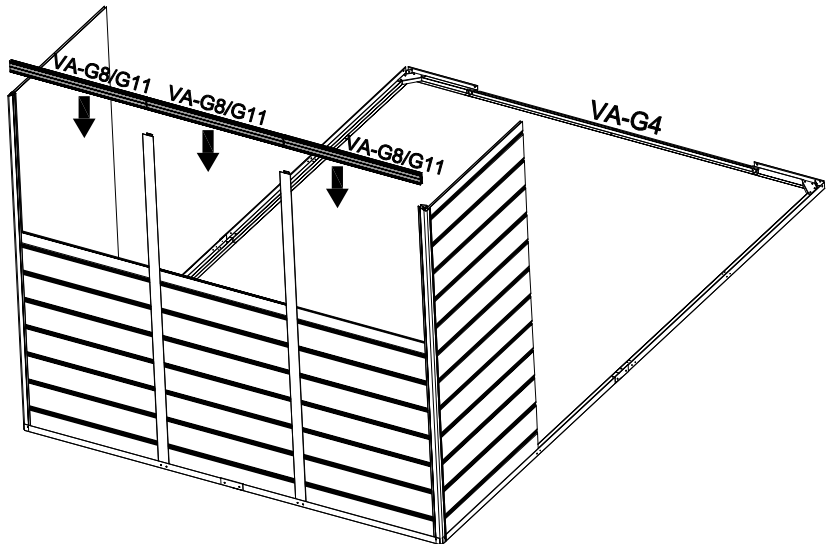
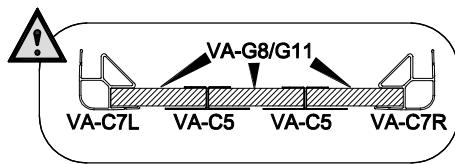
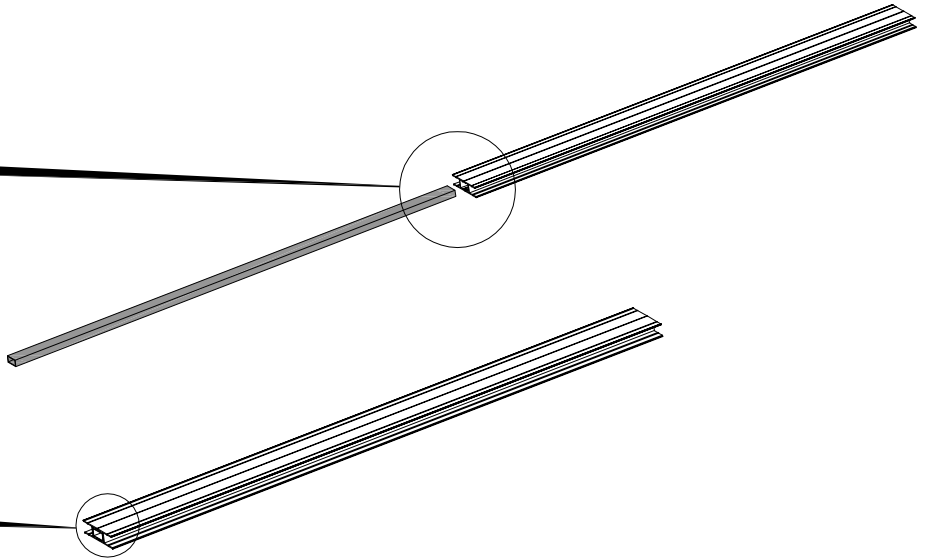
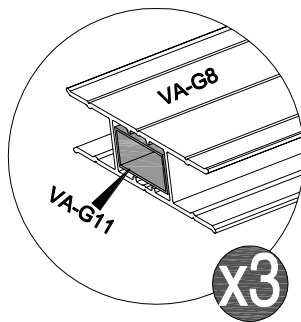
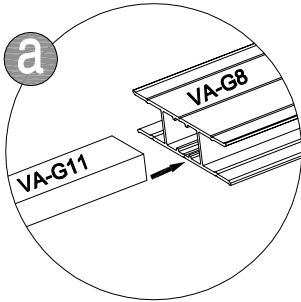
6	 VA-C5 [x2] 1840mm	 VA-T44 [x2] 13mm	 CN-A33	
---	---	--	---	--

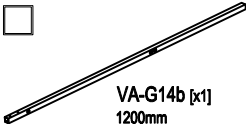
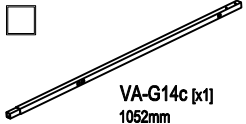
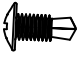


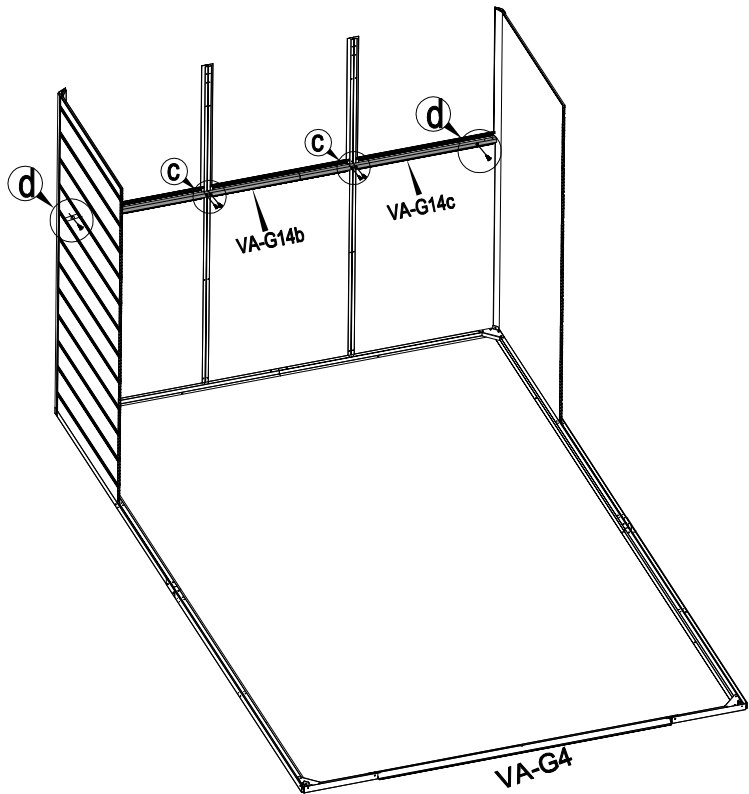
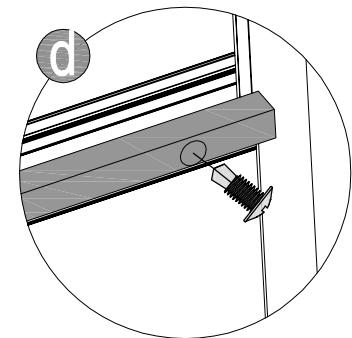
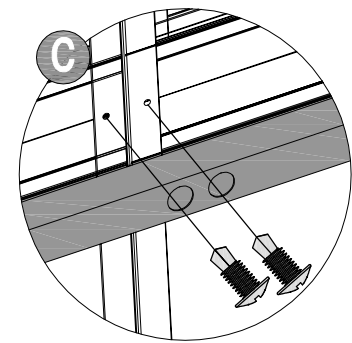
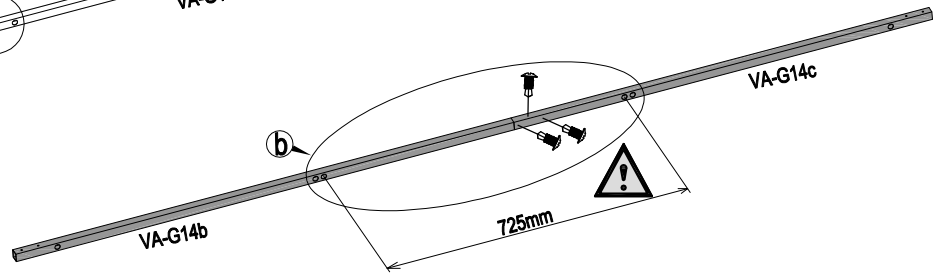
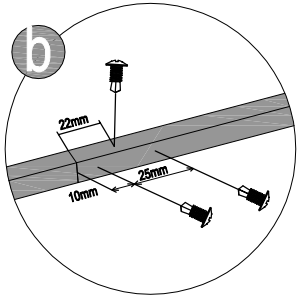
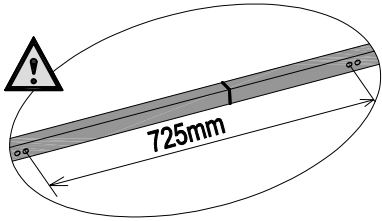
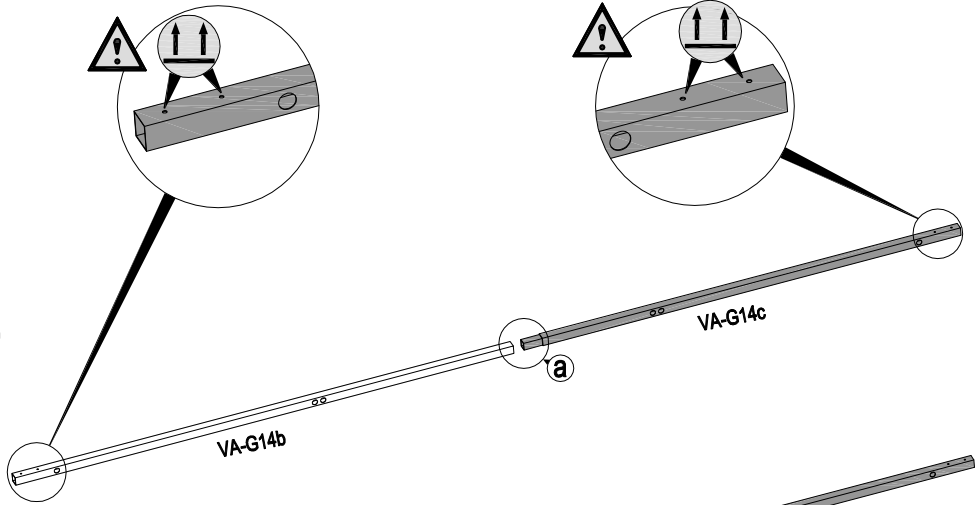
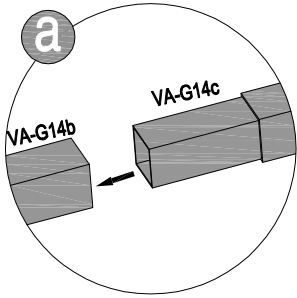
7	 PC4 [x1] 743x1100mm	 VA-T44 [x4] 13mm	 CN-A33	
---	---	--	---	---









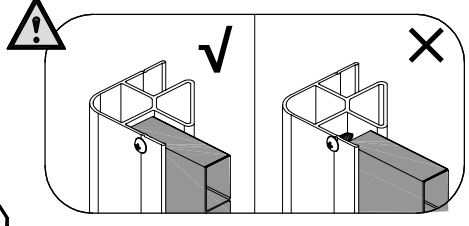
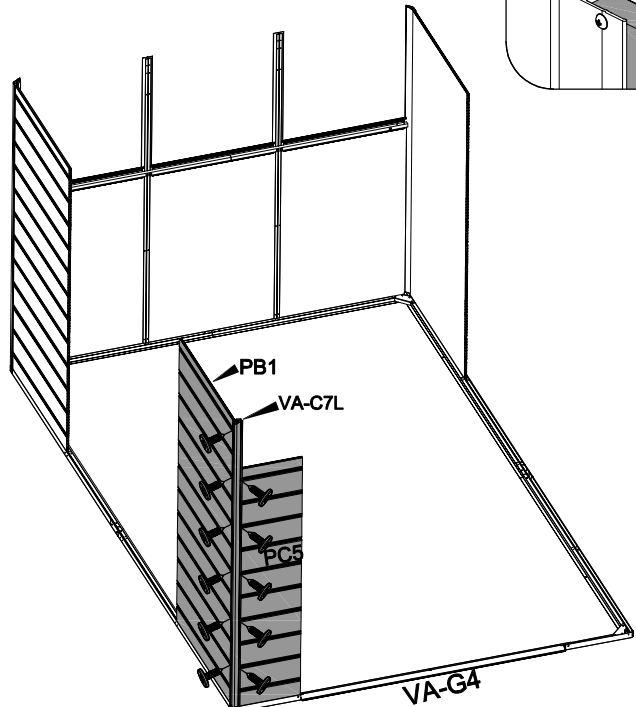
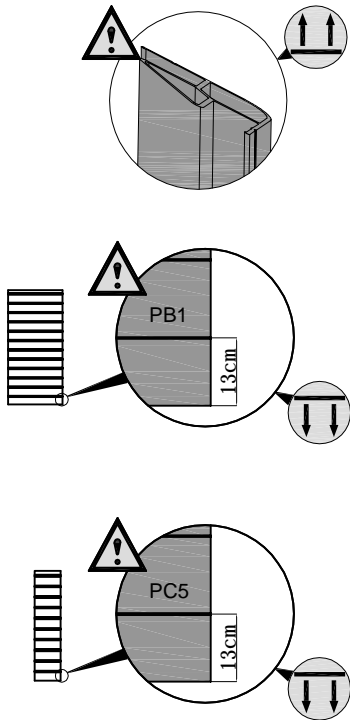
<b>8</b>	 VA-G8 [x3] 562mm	 VA-G11 [x3] 562mm		
----------	--	---	--	--



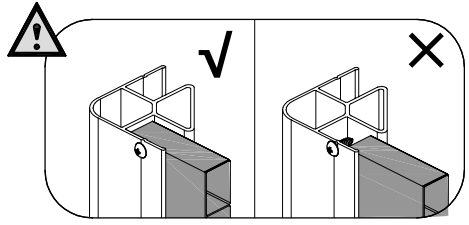
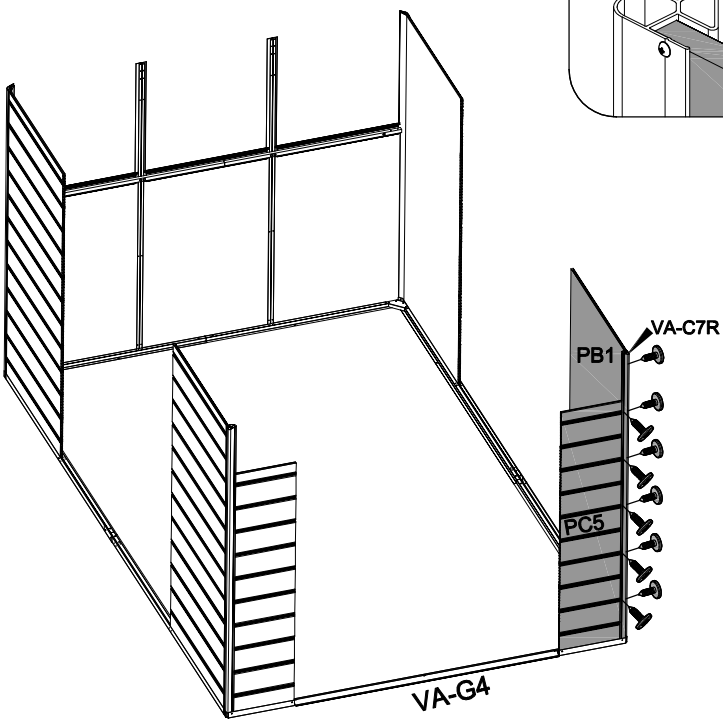
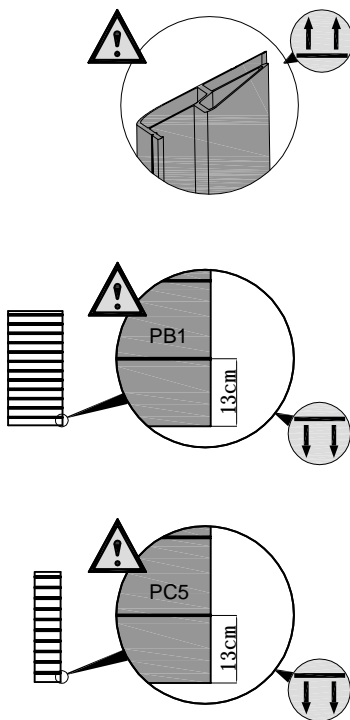
<b>9</b>	 VA-G14b [x1] 1200mm	 VA-G14c [x1] 1052mm	 VA-T46 [x8] 13mm			
----------	---	---	--	--	--	--



10						
	VA-C7L [x1] 1860mm					



11						
	VA-C7R [x1] 1860mm					



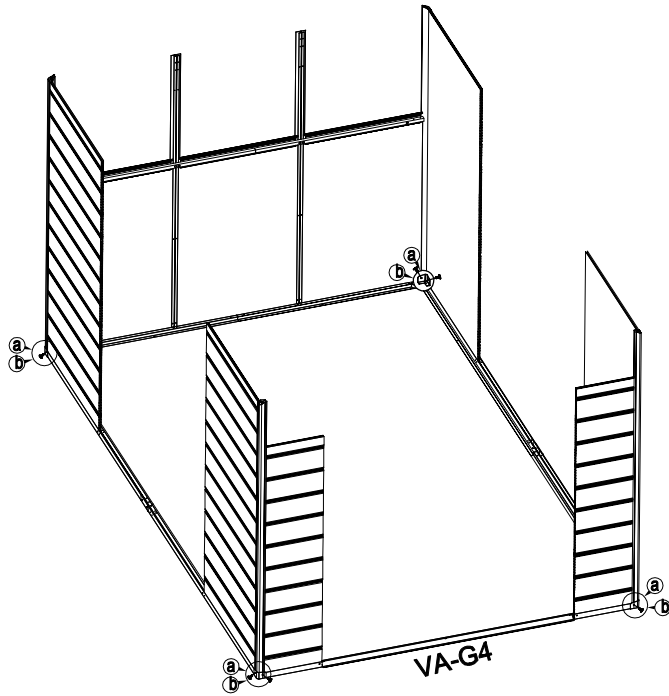
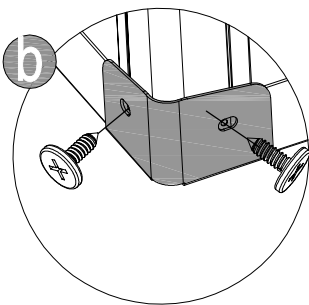
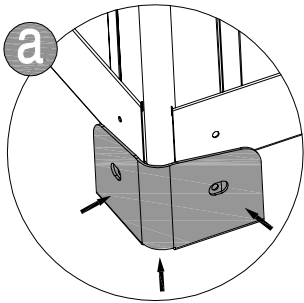
12



VA-31 [x4]



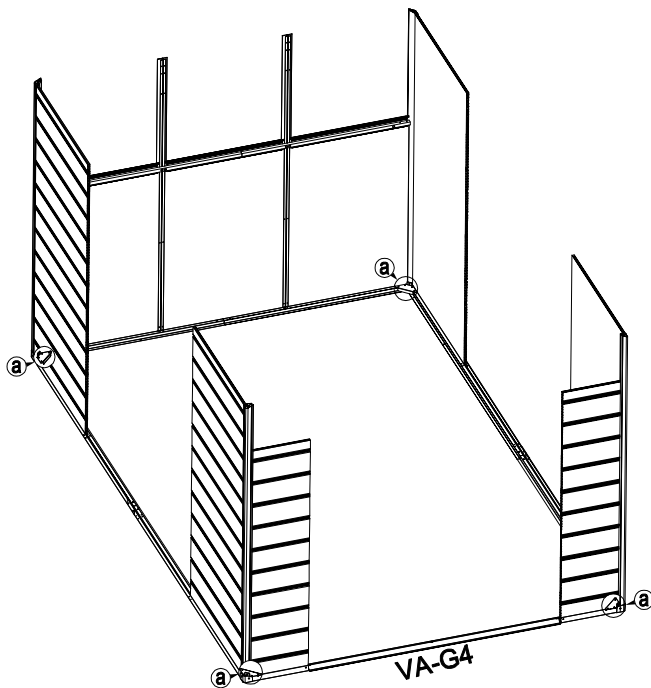
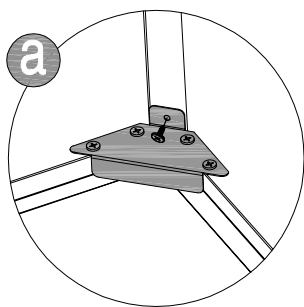
VA-T44 [x8]  
13mm

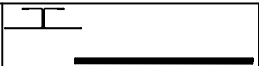




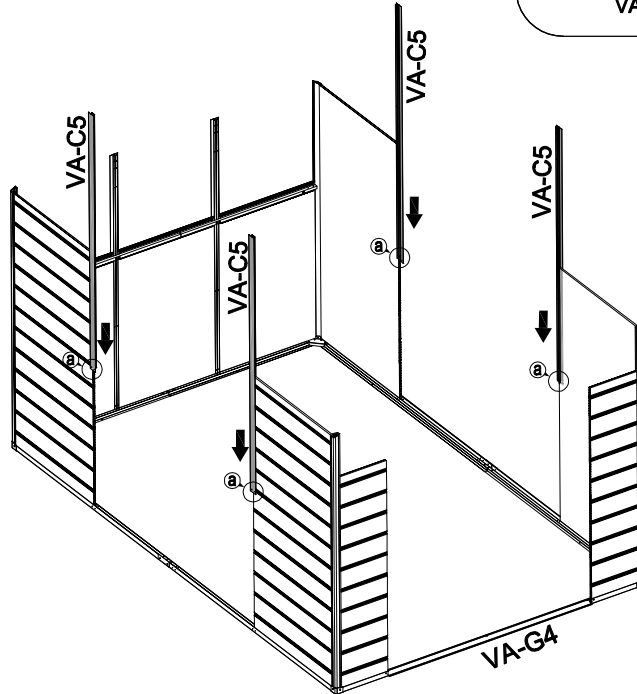
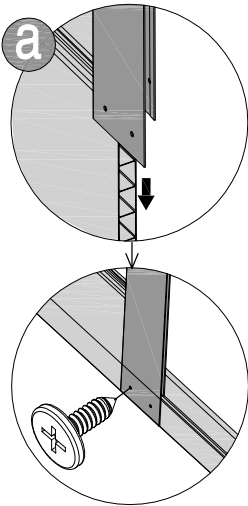
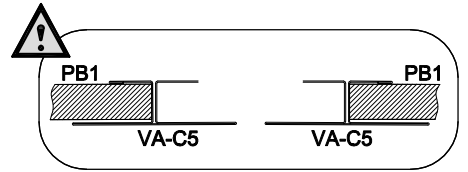
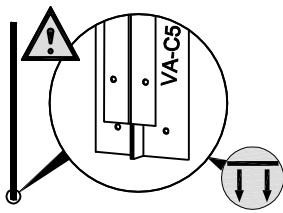
13


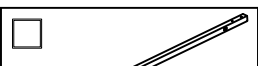
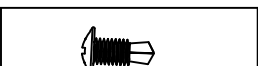


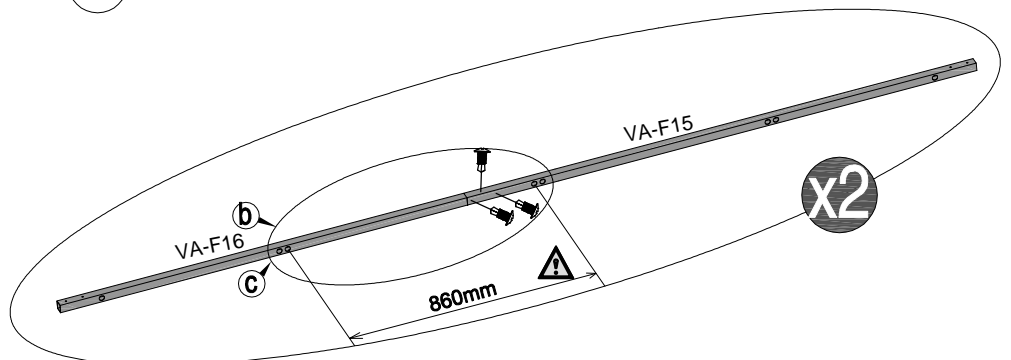
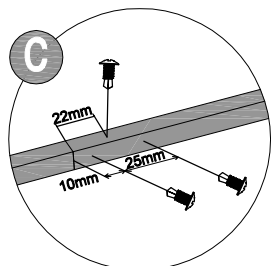
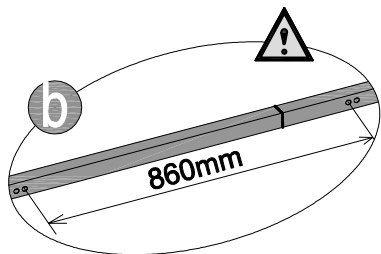
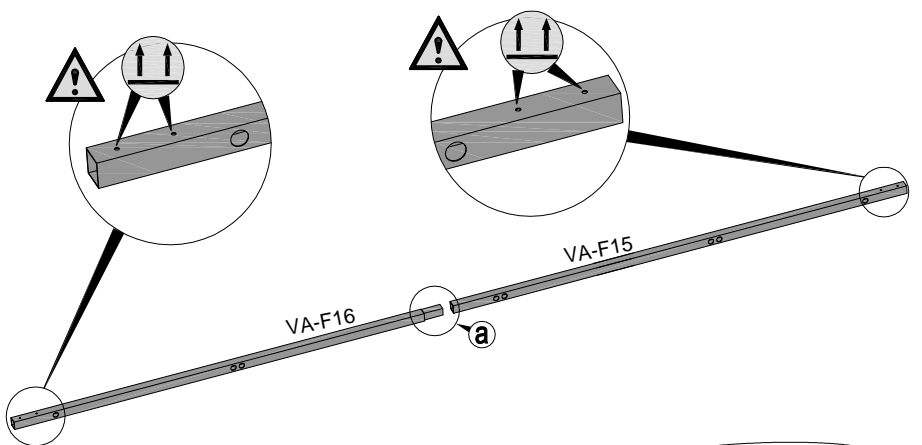
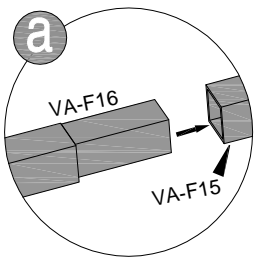
VA-T44 [x4]  
13mm



14	 VA-C5 [x4] 1840mm	 VA-T44 [x4] 13mm	 CN-A33	
----	---	--	---	--



15	 VA-F16 [x2] 1678mm	 VA-F15 [x2] 1850mm	 VA-T46 [x6] 13mm			
----	--	--	--	--	--	--





16



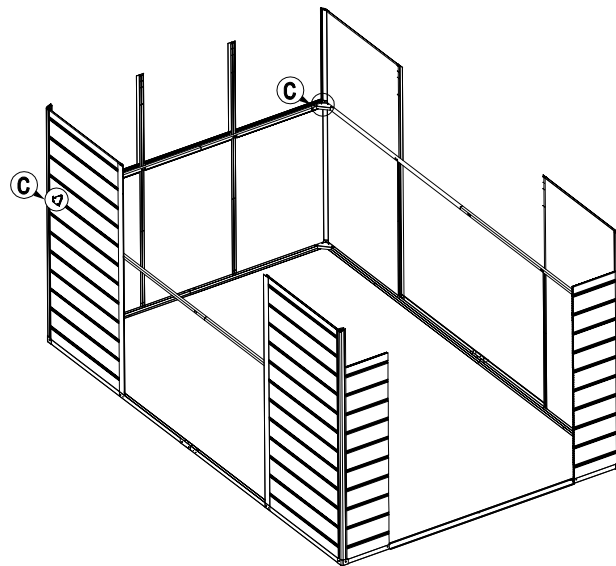
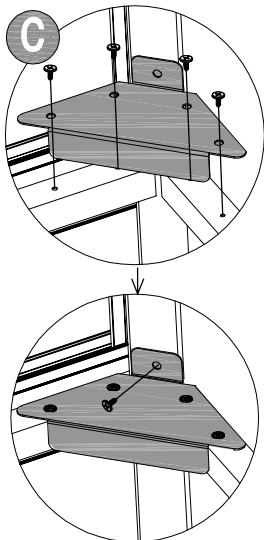
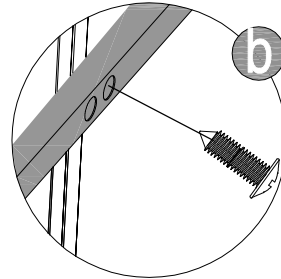
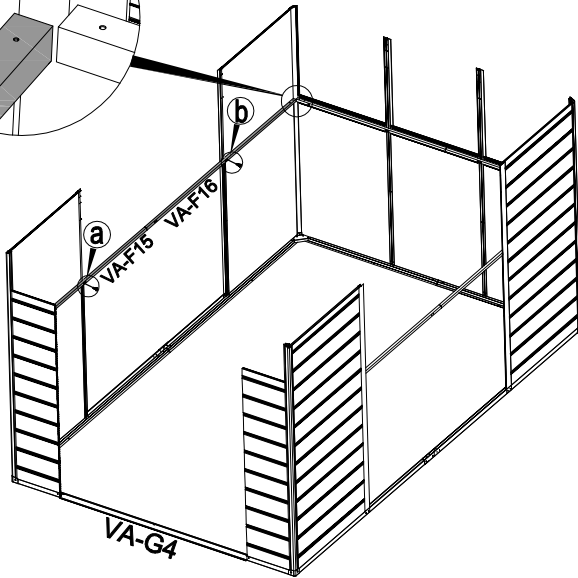
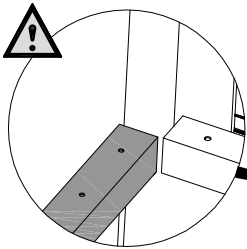
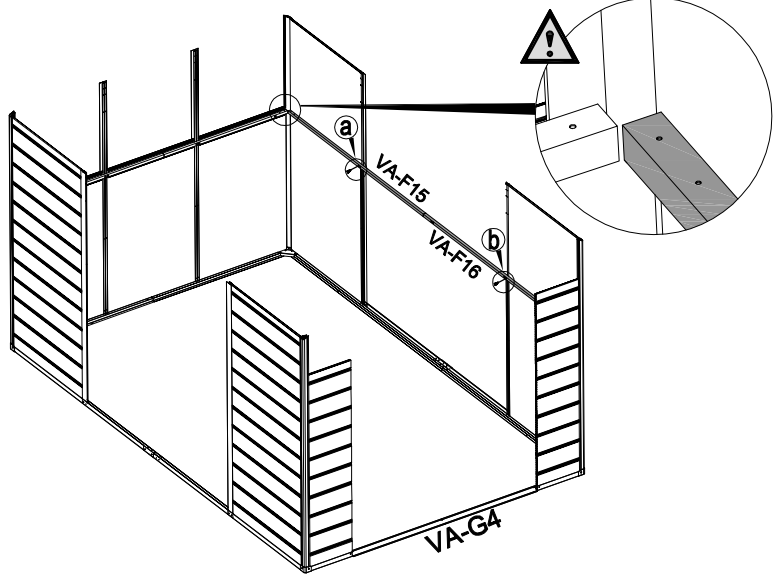
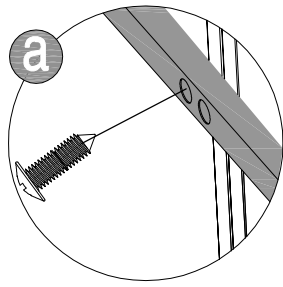
VA-30 [x2]

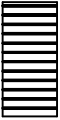
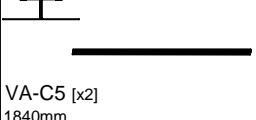

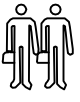


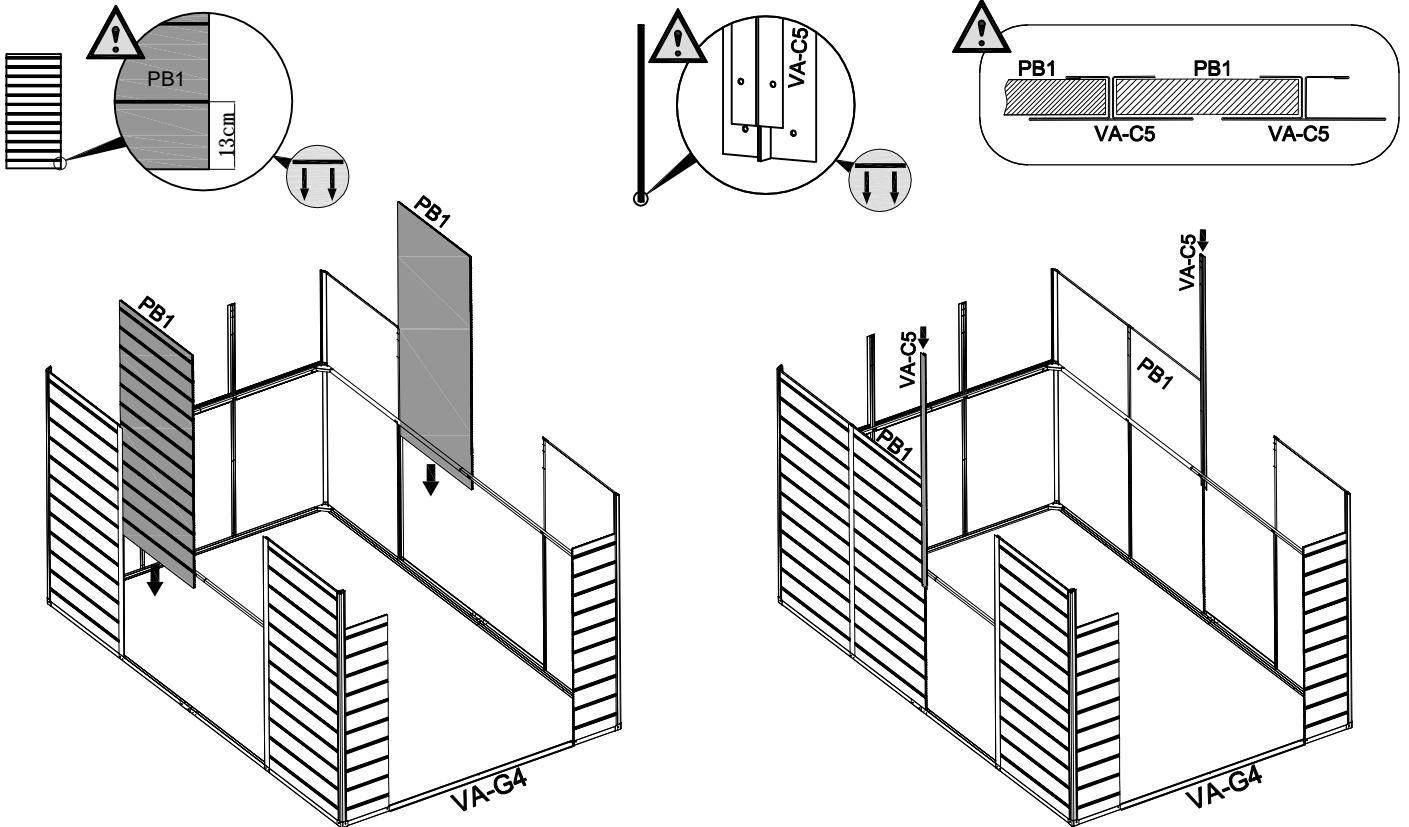
VA-T44 [x10]  
13mm

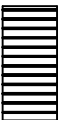
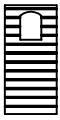





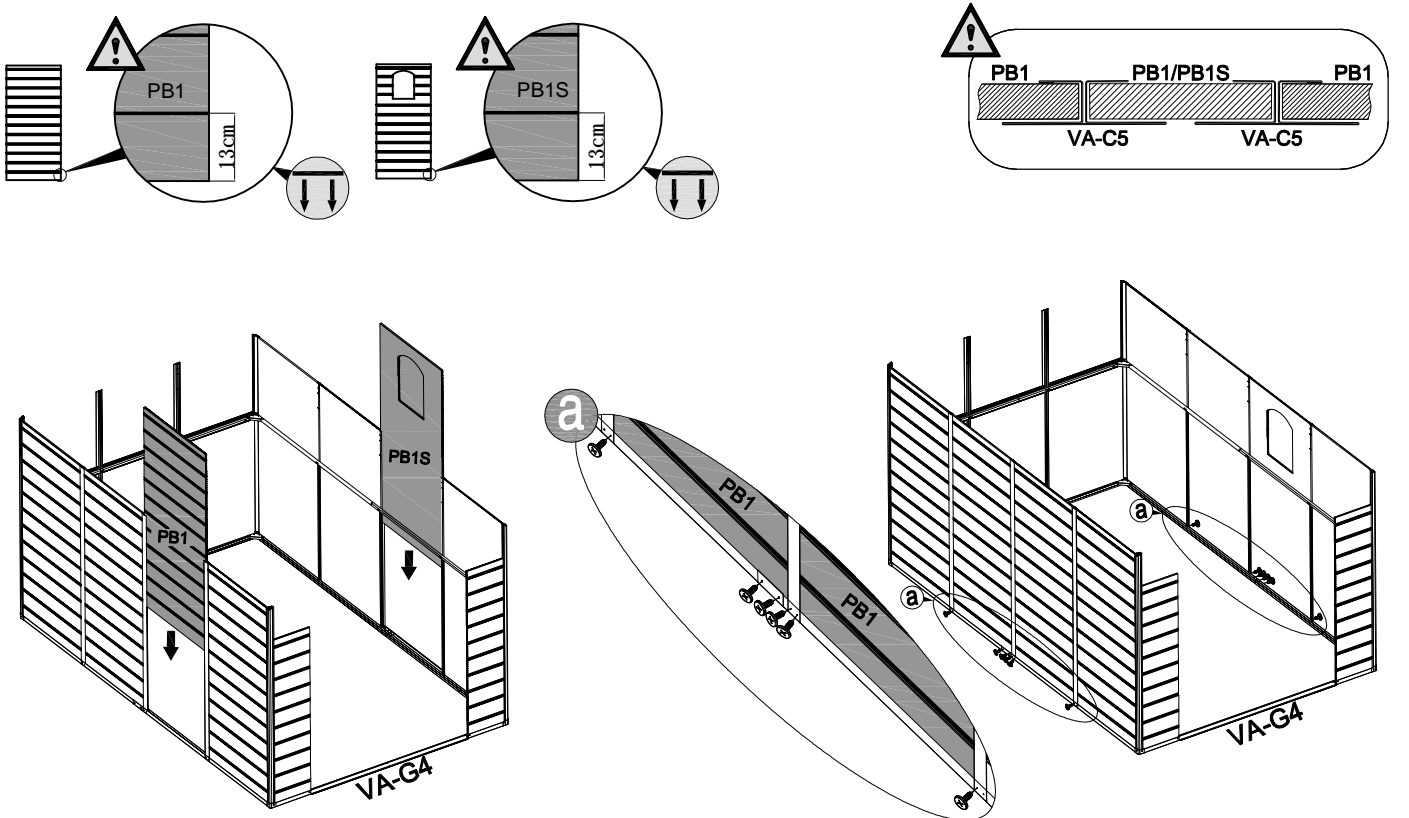
VA-T49 [x4]  
13mm



<b>17</b>	PB1 [x2] 876x1840mm		VA-C5 [x2] 1840mm		 <b>CN-A33</b>	
-----------	------------------------	---	----------------------	---	--	---



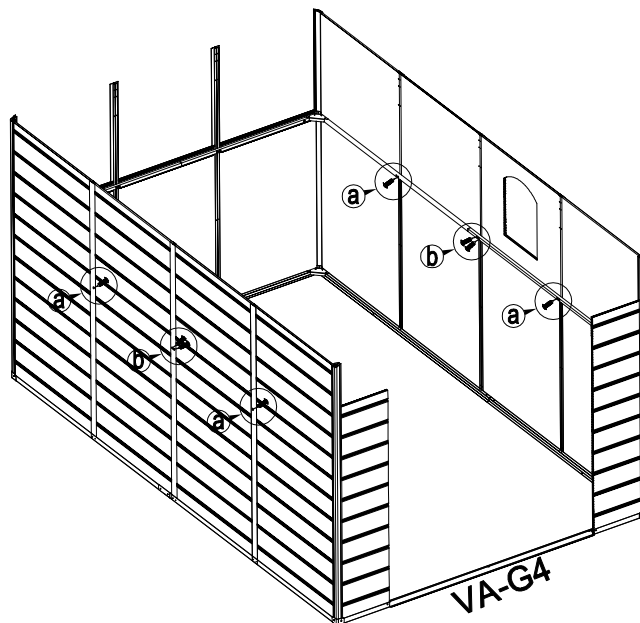
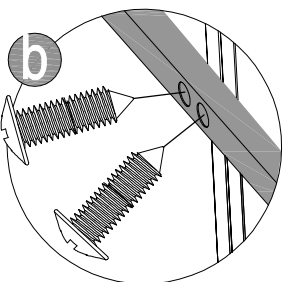
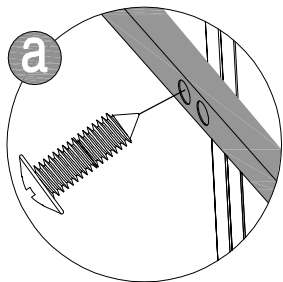
<b>18</b>	PB1 [x1] 876x1840mm		PB1S [x1] 876x1840mm		 VA-T44 [x12] 13mm	 <b>CN-A33</b>	
-----------	------------------------	---	-------------------------	---	---	---	---



19



VA-T49 [x8]  
13mm



VA-G4

20



PC3L [x1]  
743x1072mm



PC3R [x1]  
743x1072mm



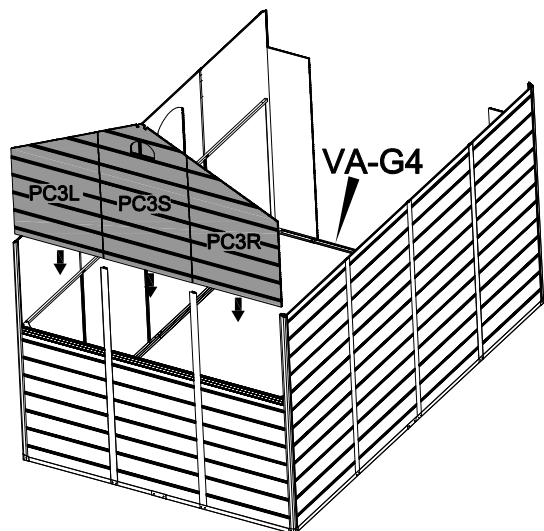
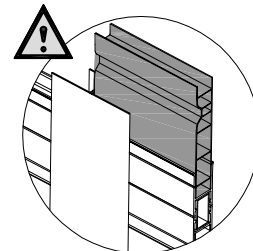
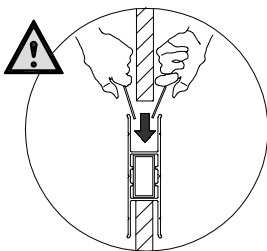
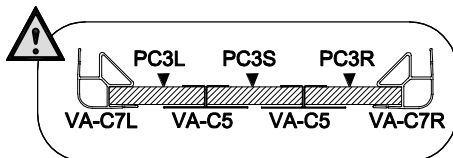
PC3S [x1]  
743x1248mm



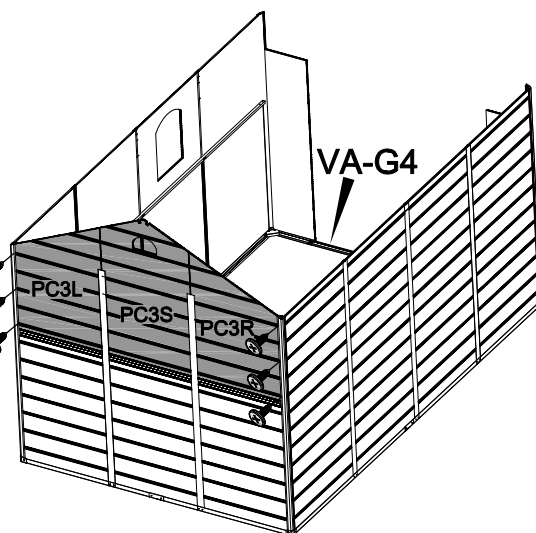
VA-T45 [x6]  
19mm



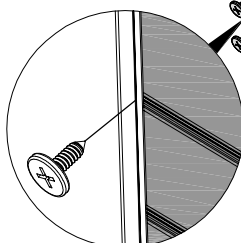
CN-A33



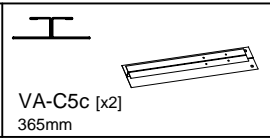
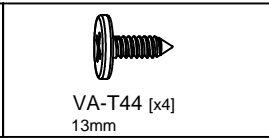

VA-G4

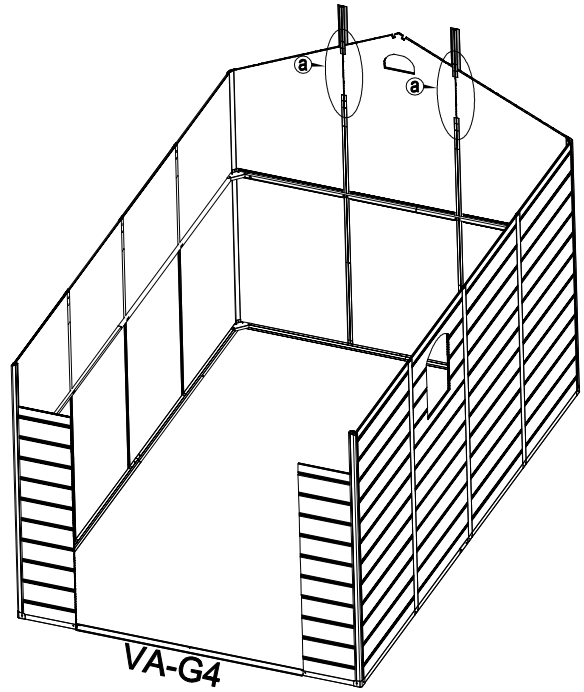
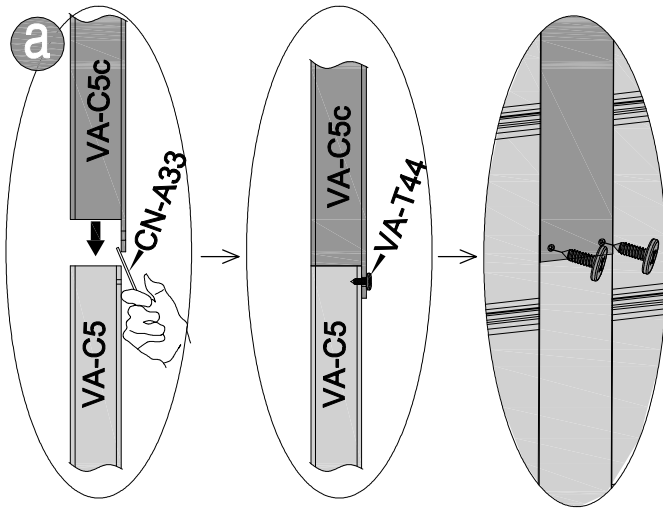
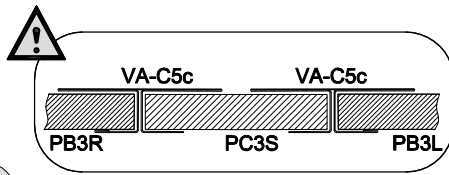
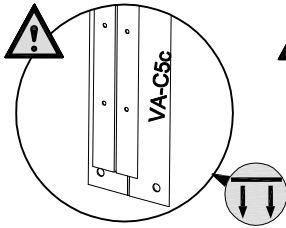


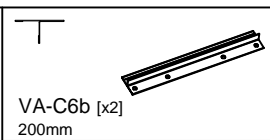

VA-G4

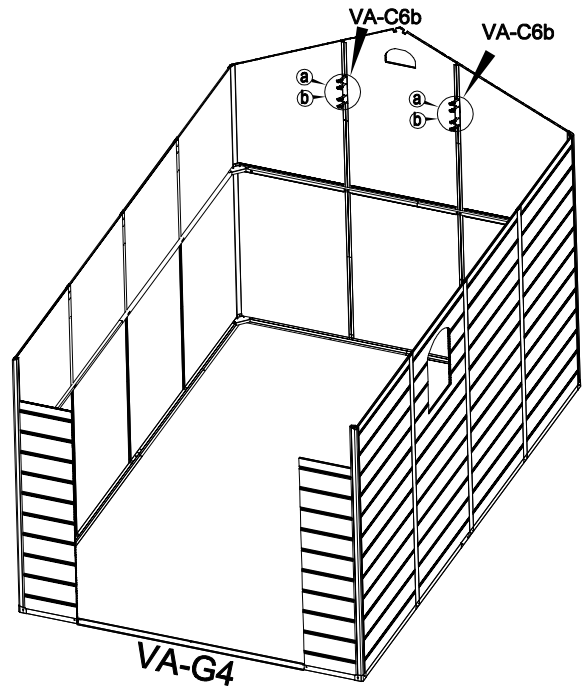
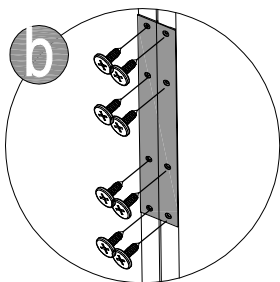
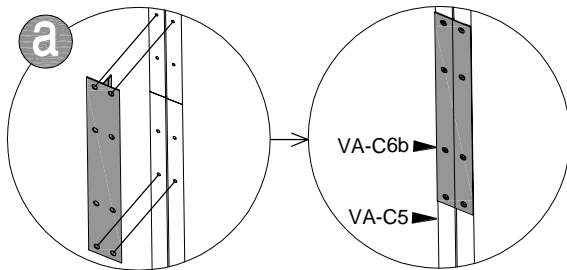



13

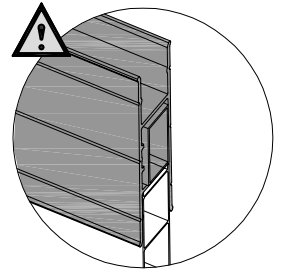
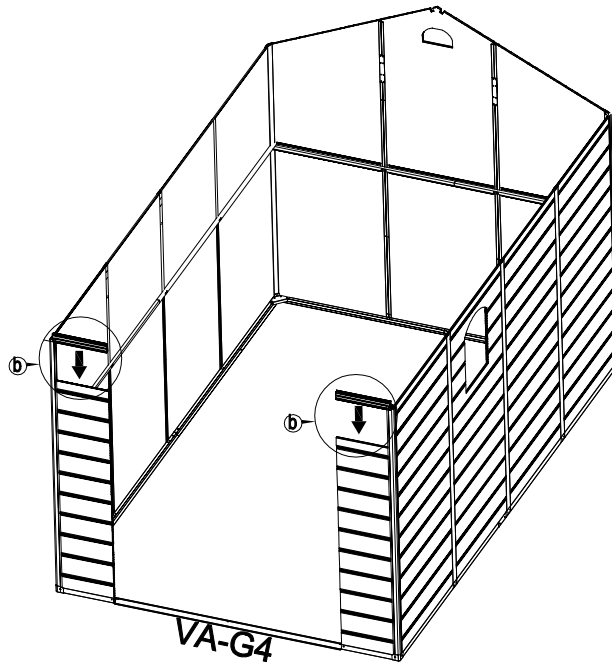
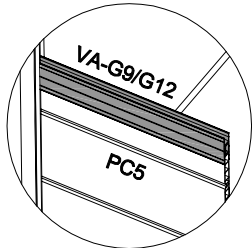
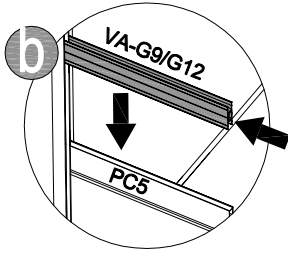
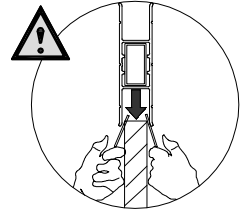
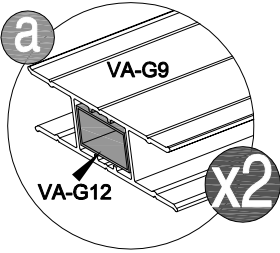
<p><b>21</b></p>	 <p>VA-C5c [x2] 365mm</p>	 <p>VA-T44 [x4] 13mm</p>	 <p>CN-A33</p>
------------------	--	---	--


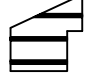






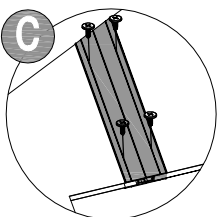
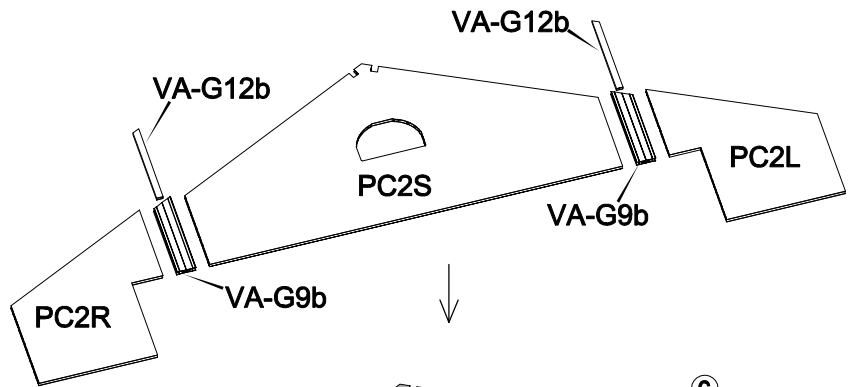
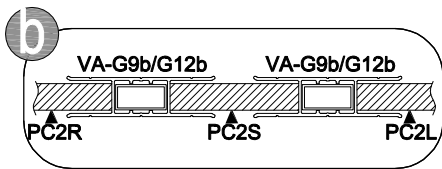
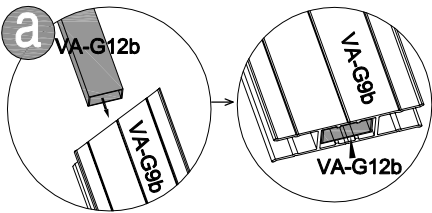
<p><b>22</b></p>	 <p>VA-C6b [x2] 200mm</p>	 <p>VA-T44 [x16] 13mm</p>	
------------------	--	--	--




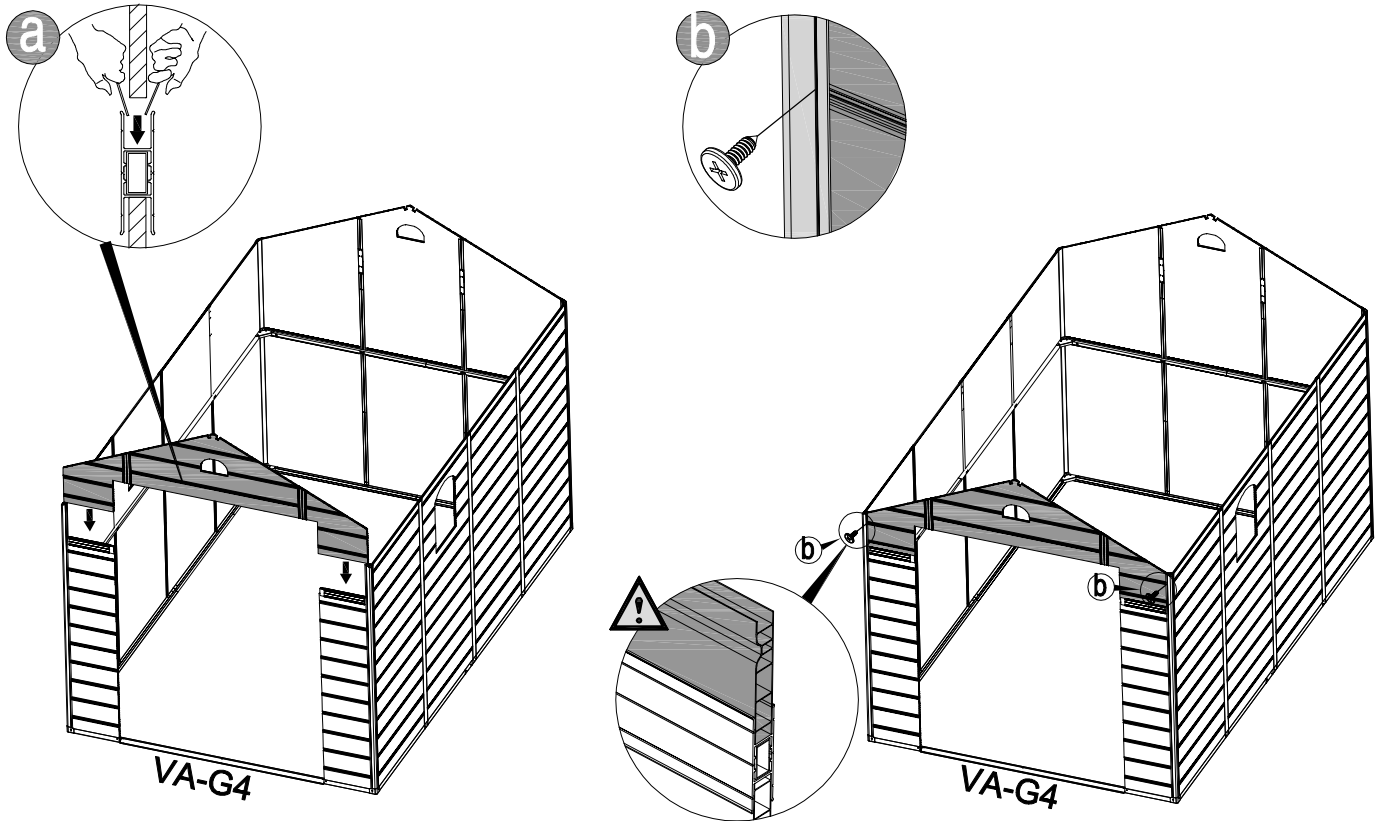
23					
	VA-G9 [x2] 360m	VA-G12 [x2] 360mm			






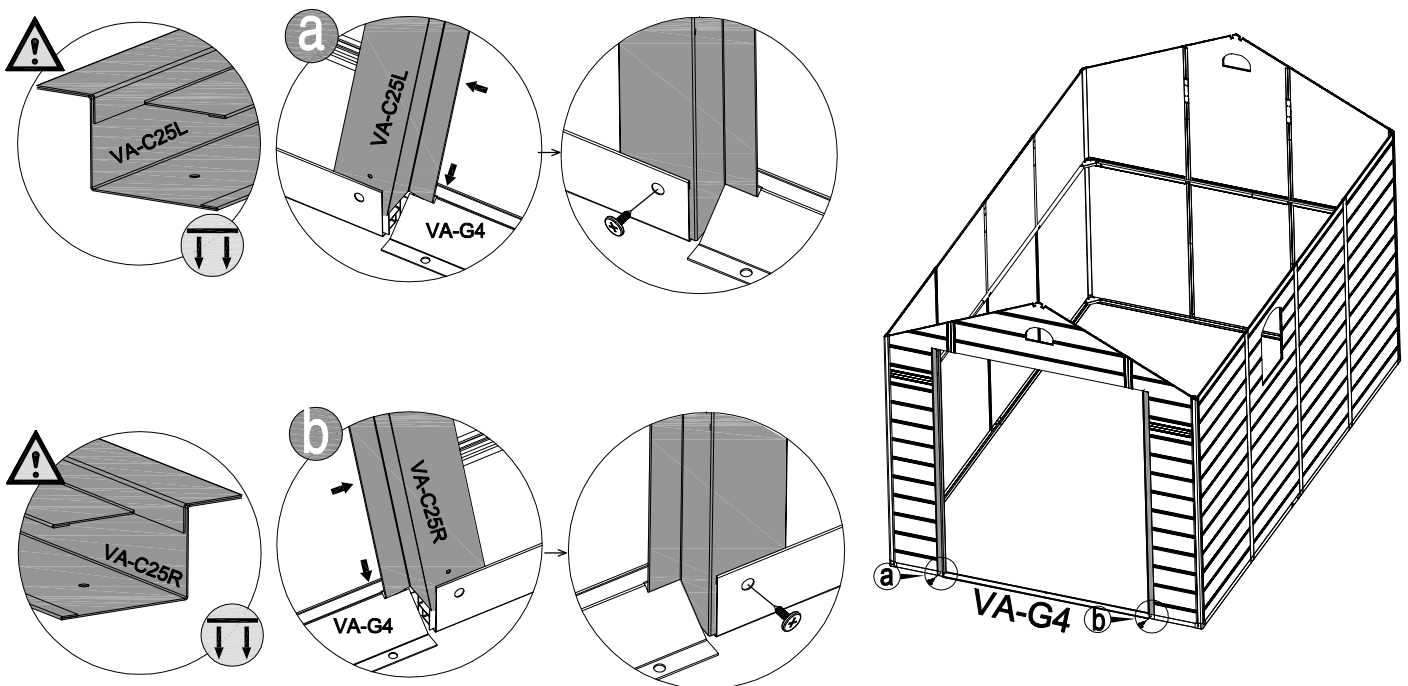
24						
	PC2S [x1] 1270x542mm	PC2L [x1] 461x492mm	PC2R [x1] 461x492mm	VA-G9b [x2] 254mm	VA-G12b [x2] 225mm	

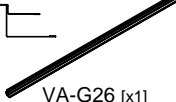
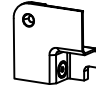
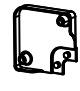

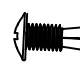
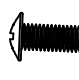


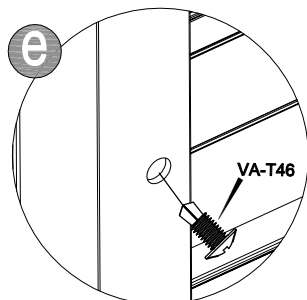
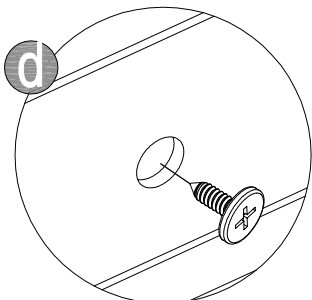
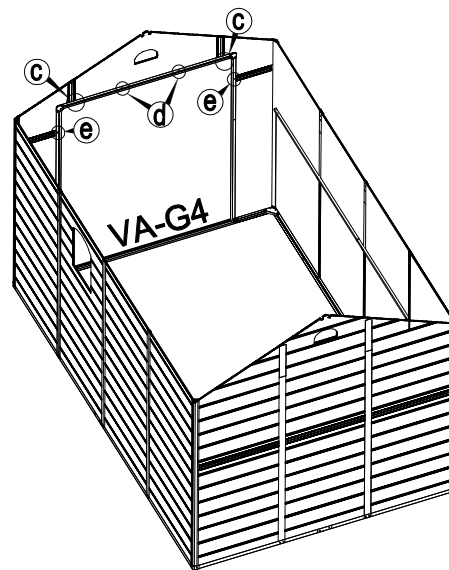
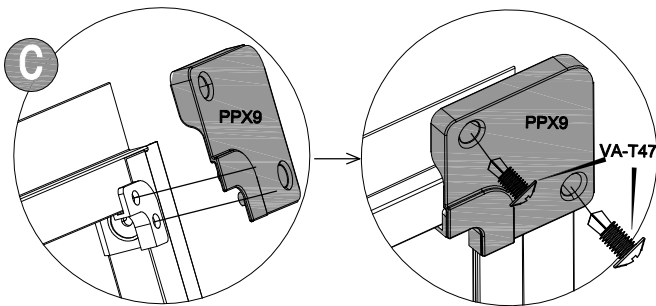
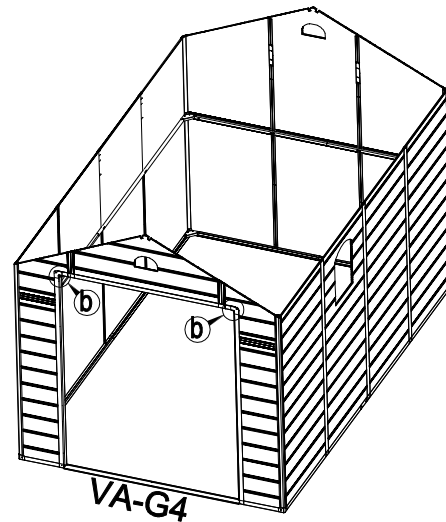
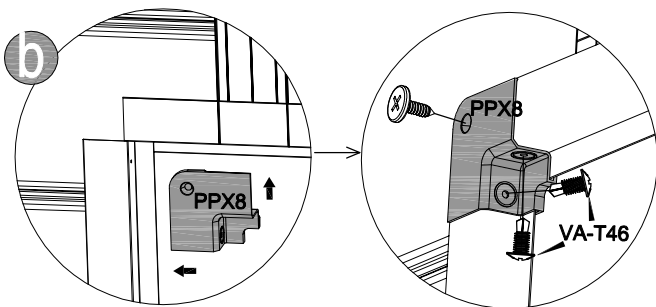
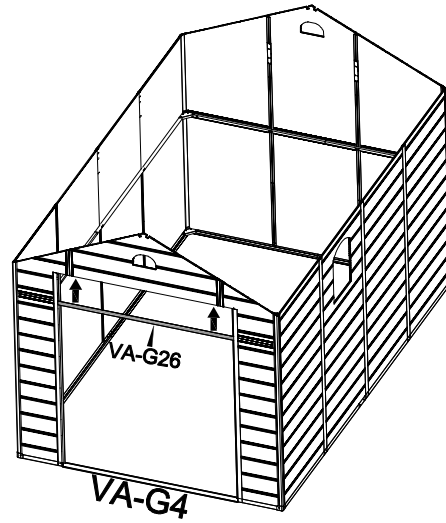
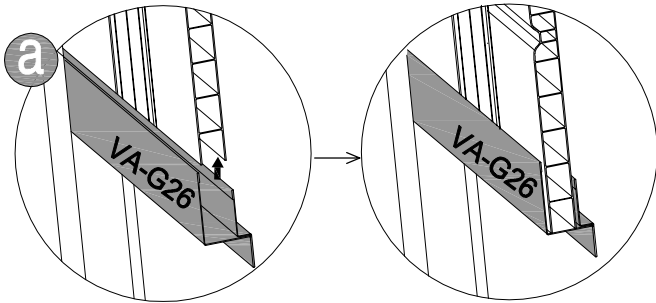
25	 VA-T45 [x2] 19mm		 CN-A33		
----	--	--	---	---	---


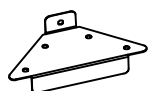

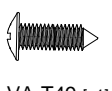
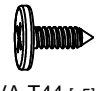


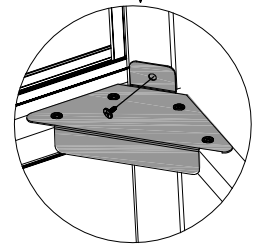
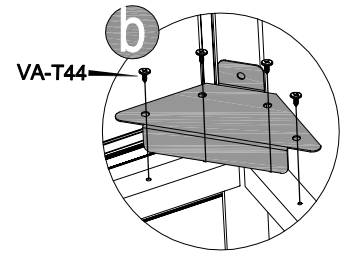
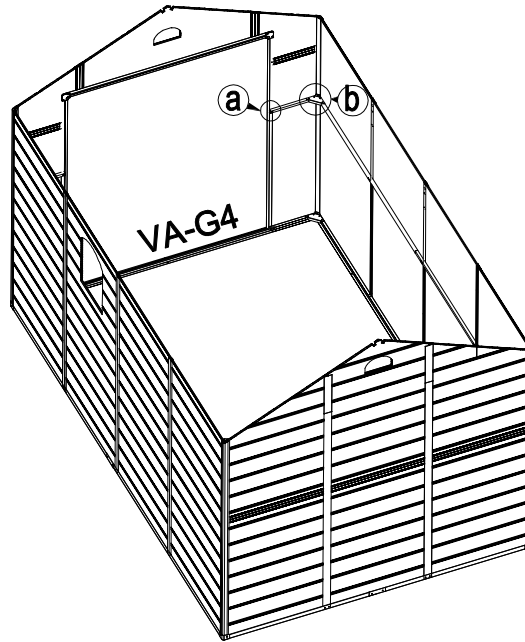
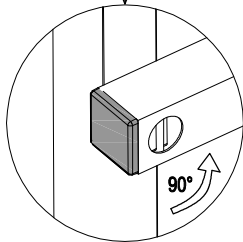
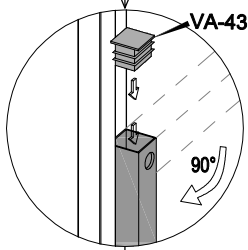
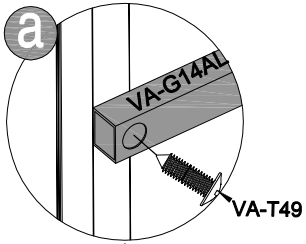
26	 VA-C25L [x1] 1830mm	 VA-C25R [x1] 1830mm	 VA-T44 [x2] 13mm	
----	---	---	--	--


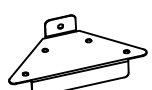

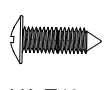



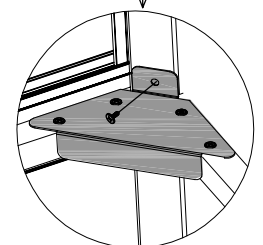
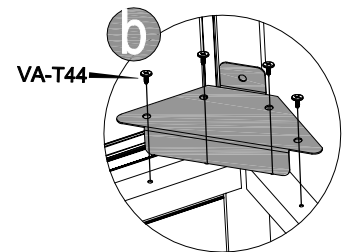
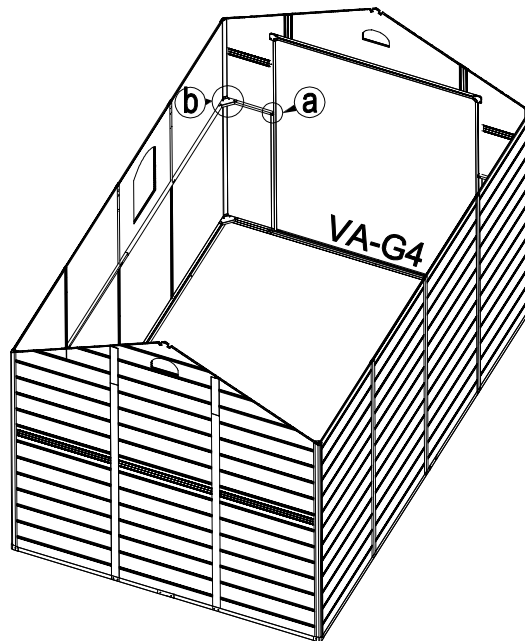
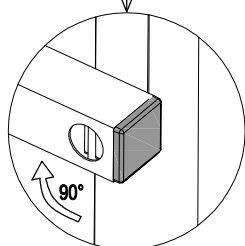
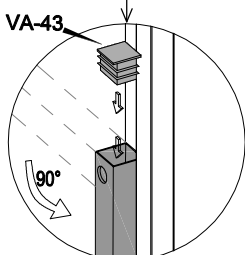
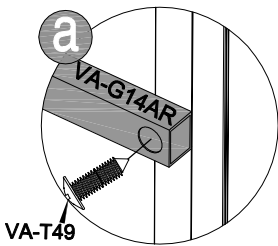
27	 VA-G26 [x1] 1508mm	 PPX8 [x2]	 PPX9 [x2]	 VA-T44 [x4] 13mm	 VA-T46 [x6] 13mm	 VA-T47 [x4] 19mm
----	--	--	--	--	--	--



28	 VA-G14AL [x1] 345mm	 VA-30 [x1]	 VA-43 [x1]	 VA-T49 [x1] 13mm	 VA-T44 [x5] 13mm		
----	---	---	---	--	--	--	--



29	 VA-G14AR [x1] 345mm	 VA-30 [x1]	 VA-43 [x1]	 VA-T49 [x1] 13mm	 VA-T44 [x5] 13mm		
----	---	---	---	--	--	--	--

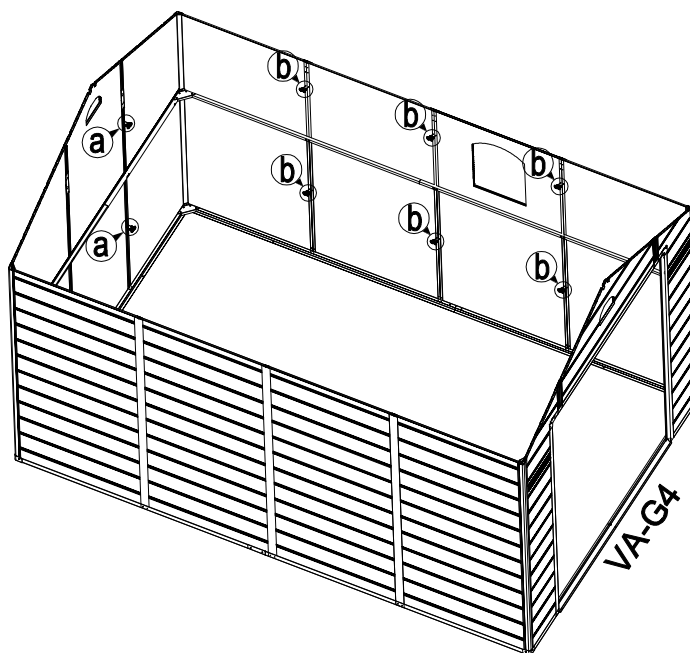
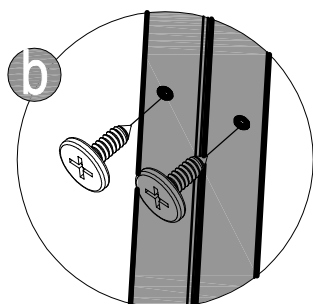
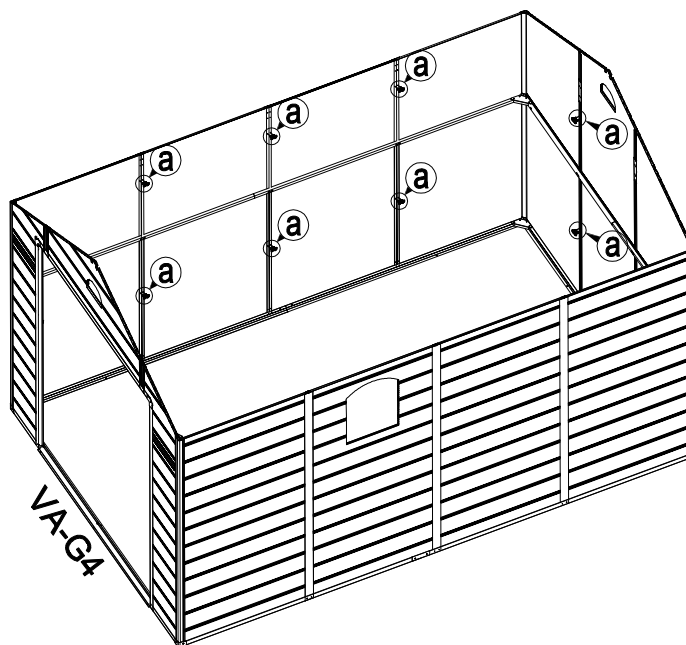
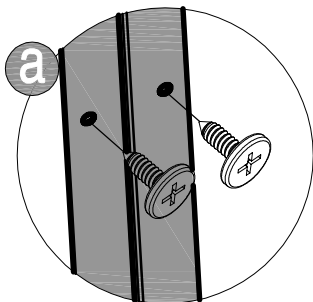


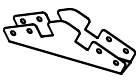


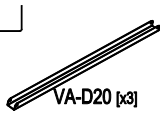



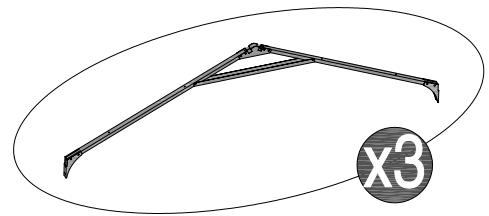
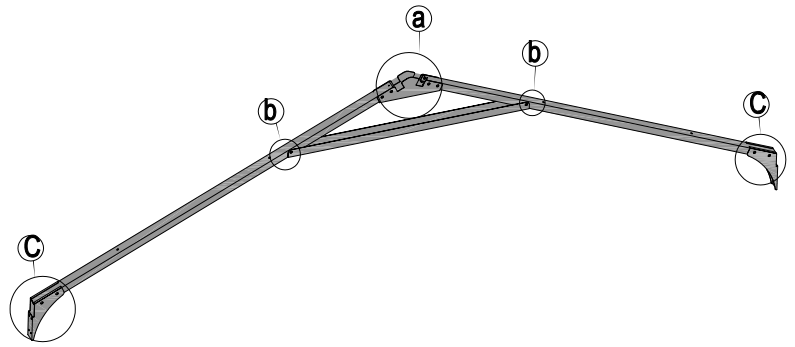
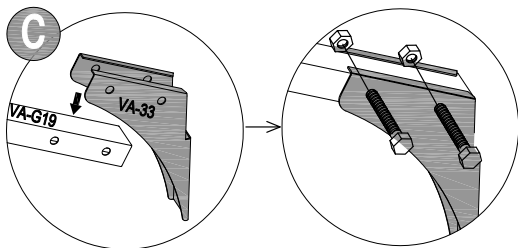
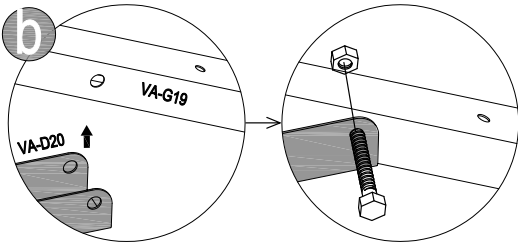
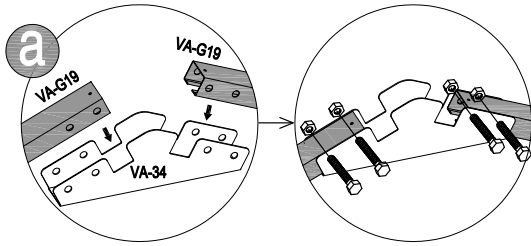
30

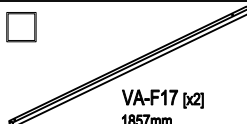
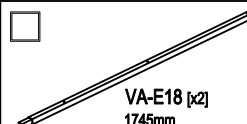
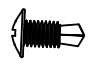


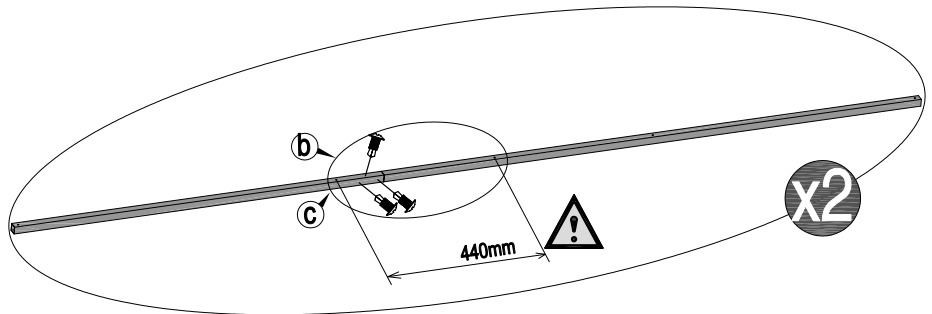
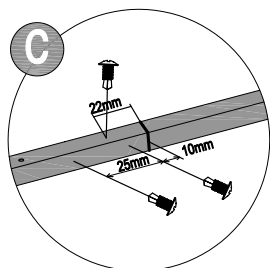
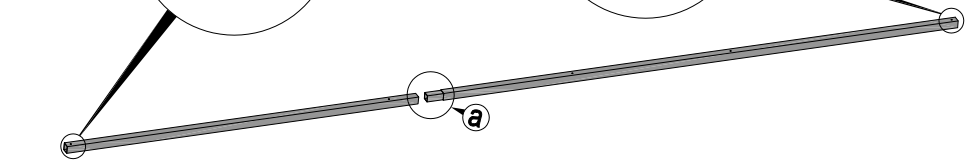
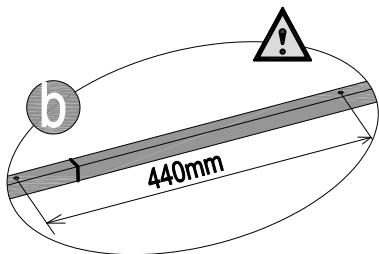
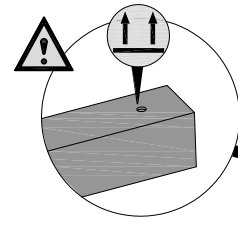
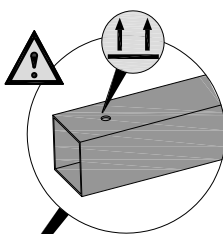
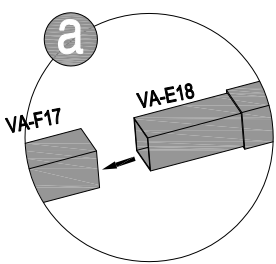
VA-T44 [x32]  
13mm



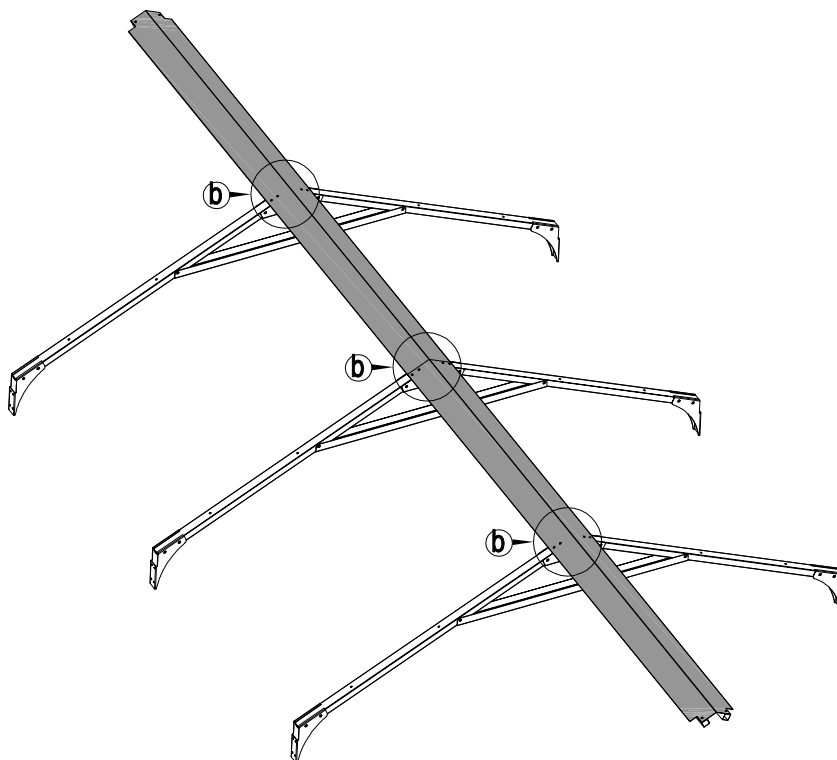
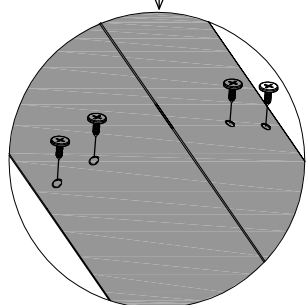
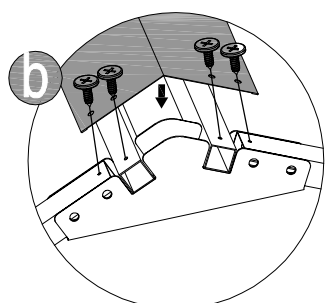
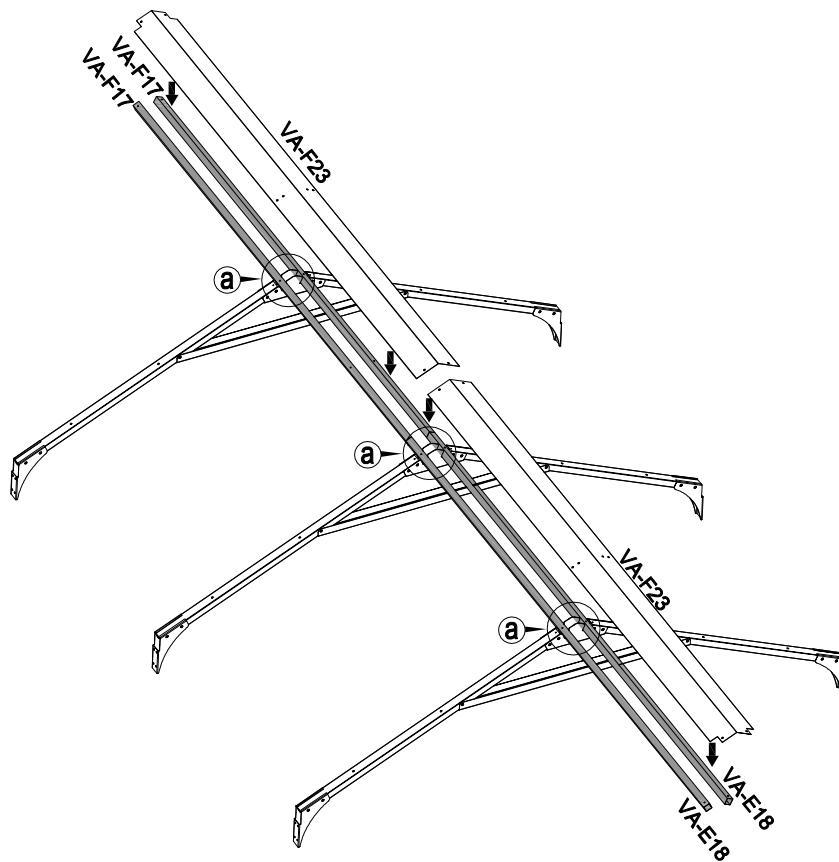
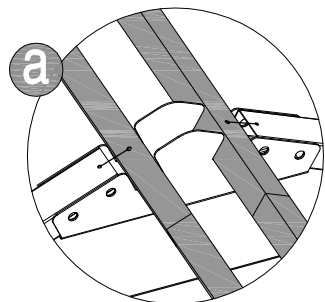
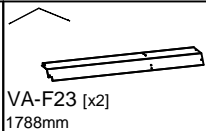
31	 VA-34 [x3]	 VA-33 [x6]	 VA-G19 [x6] 1181mm	 VA-D20 [x3] 725mm	 VA-T50 [x30] 40mm	
----	---	---	--	--	---	--



32	 VA-F17 [x2] 1857mm	 VA-E18 [x2] 1745mm	 VA-T46 [x6] 13mm	
----	--	--	--	--



33



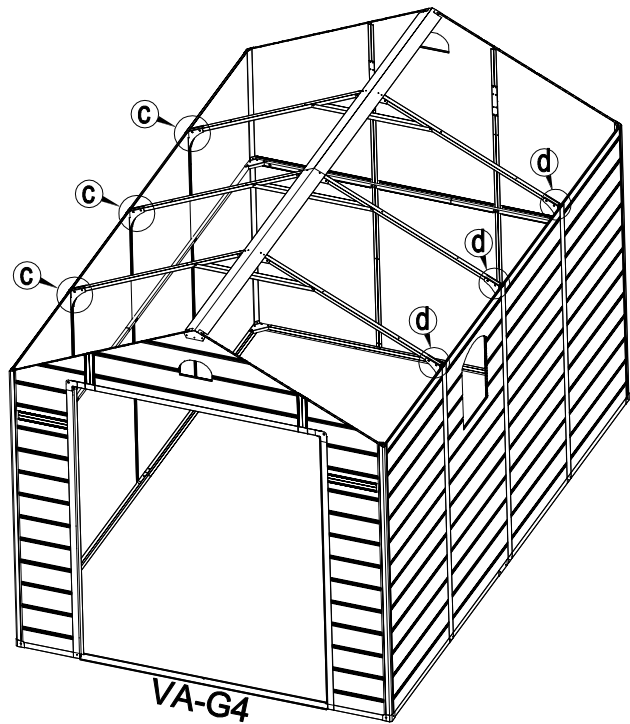
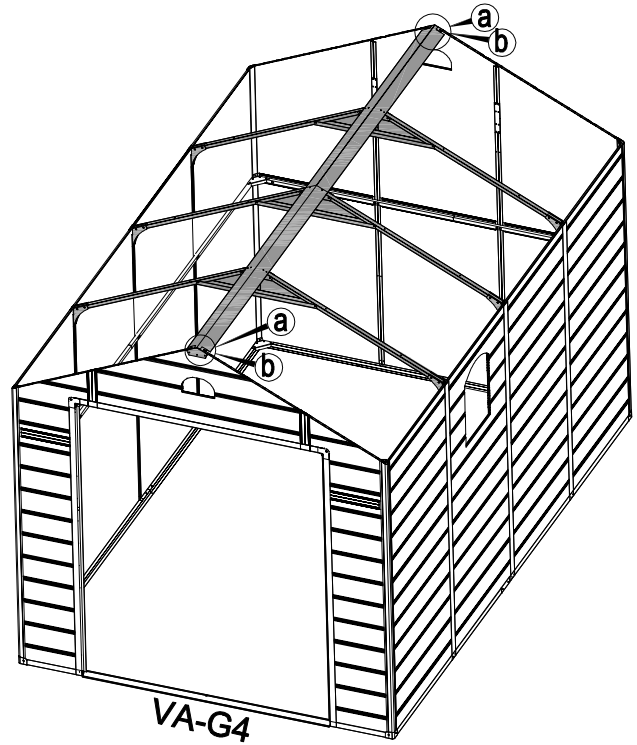
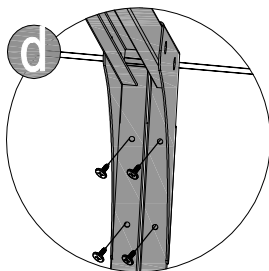
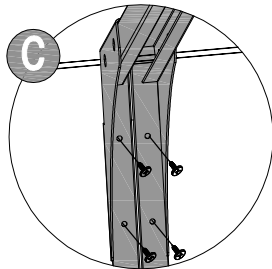
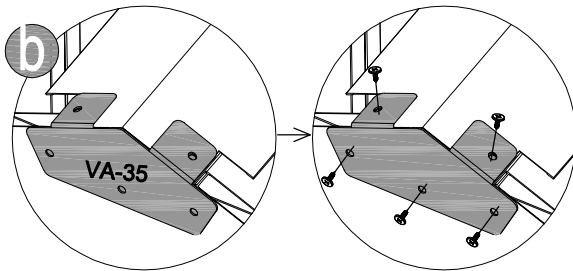
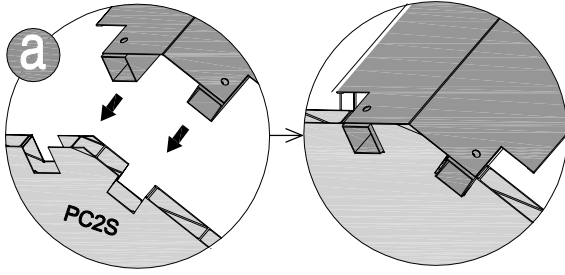
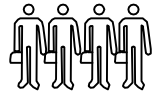
34

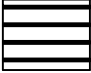
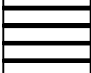






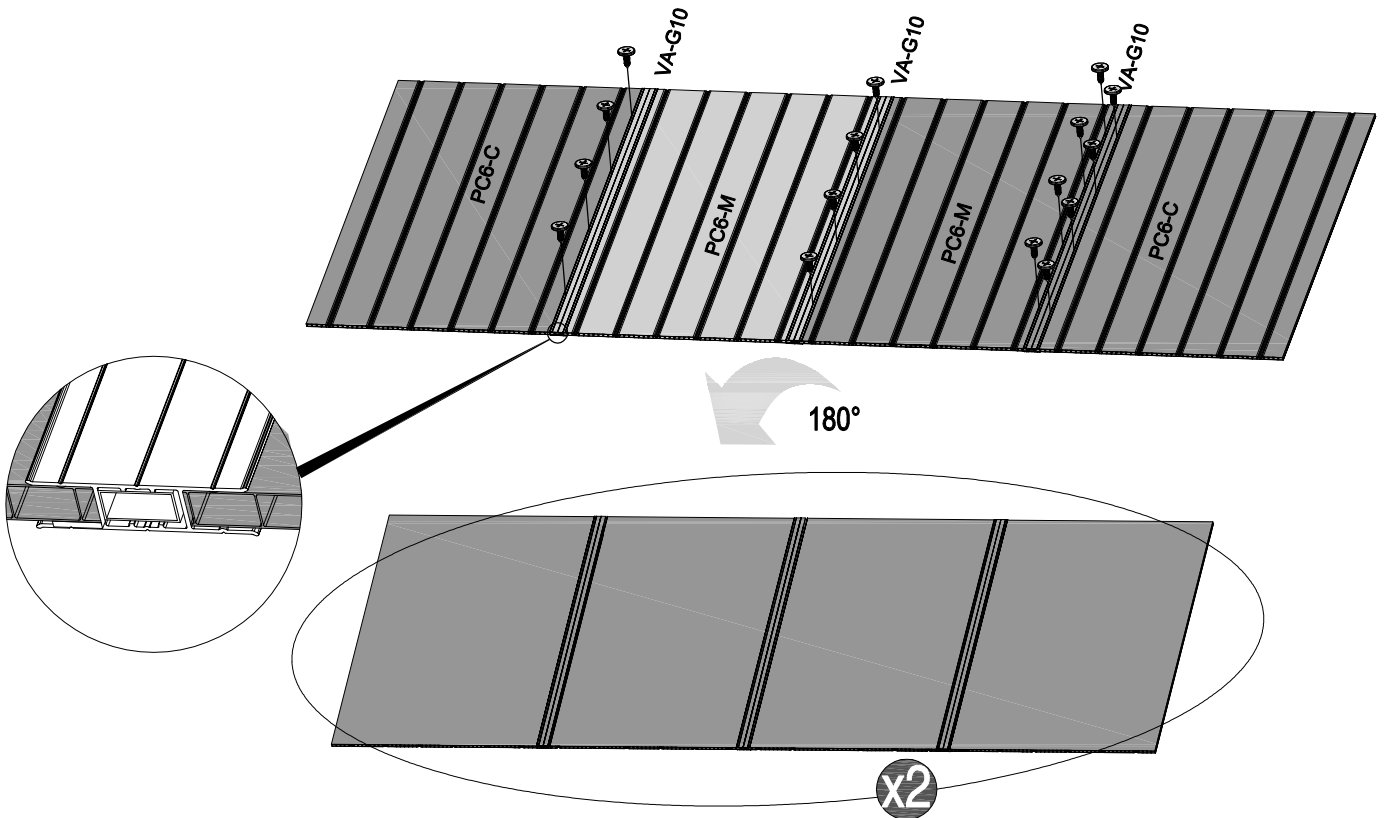
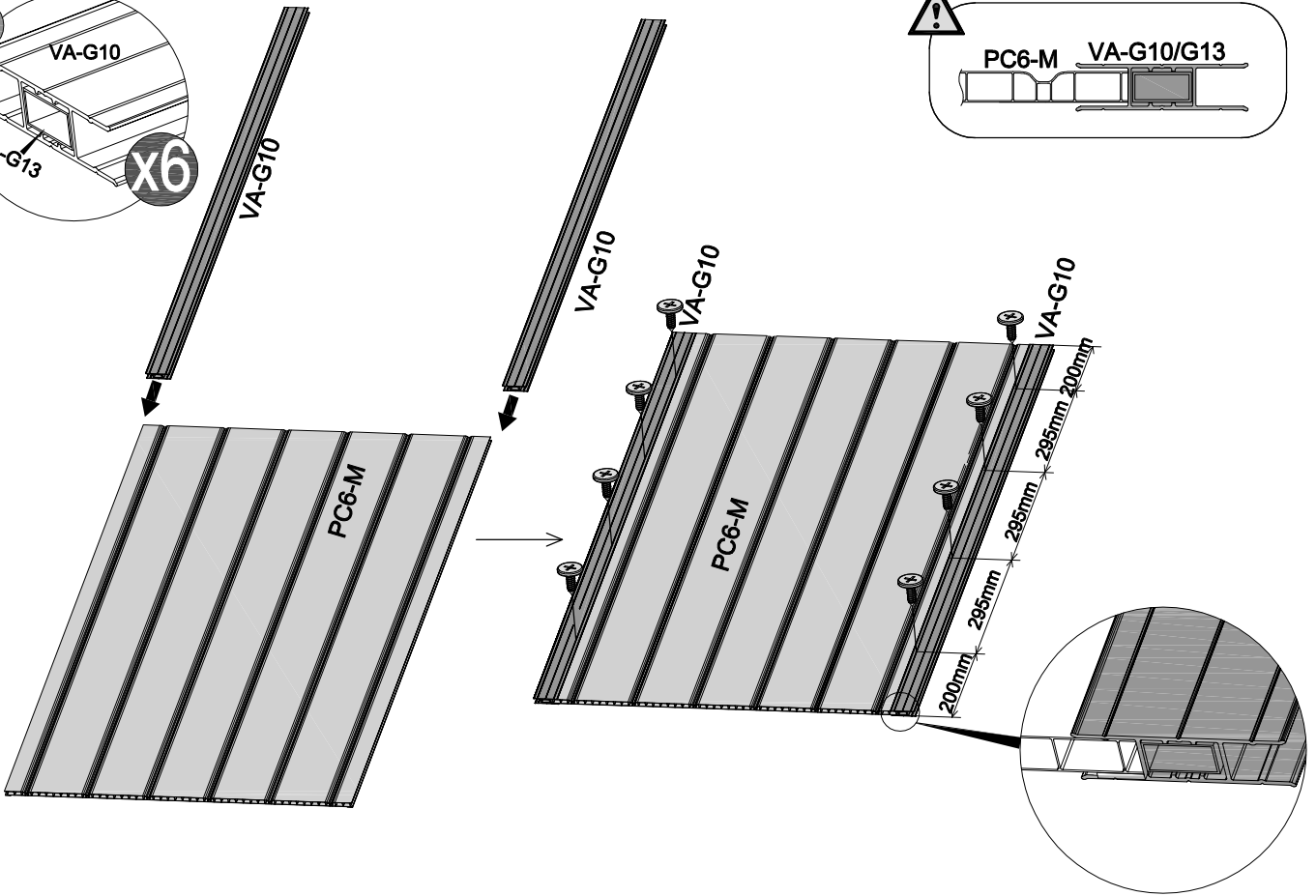
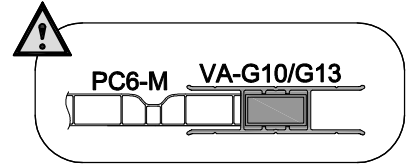
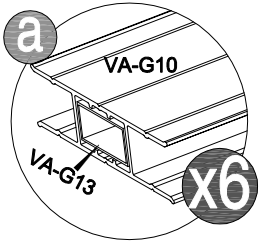
VA-35 [x2]



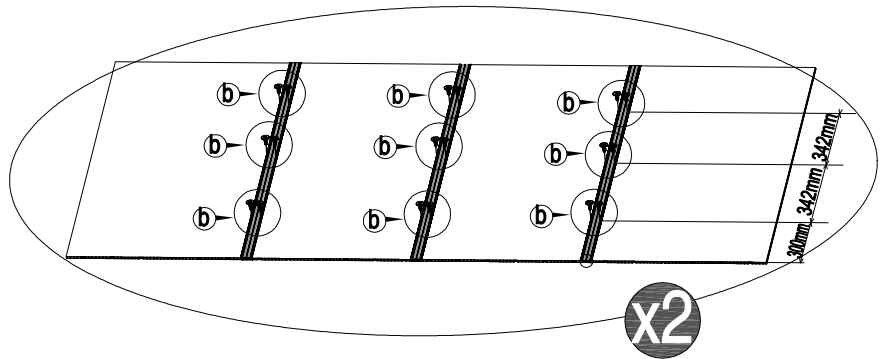
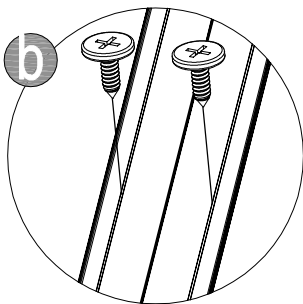
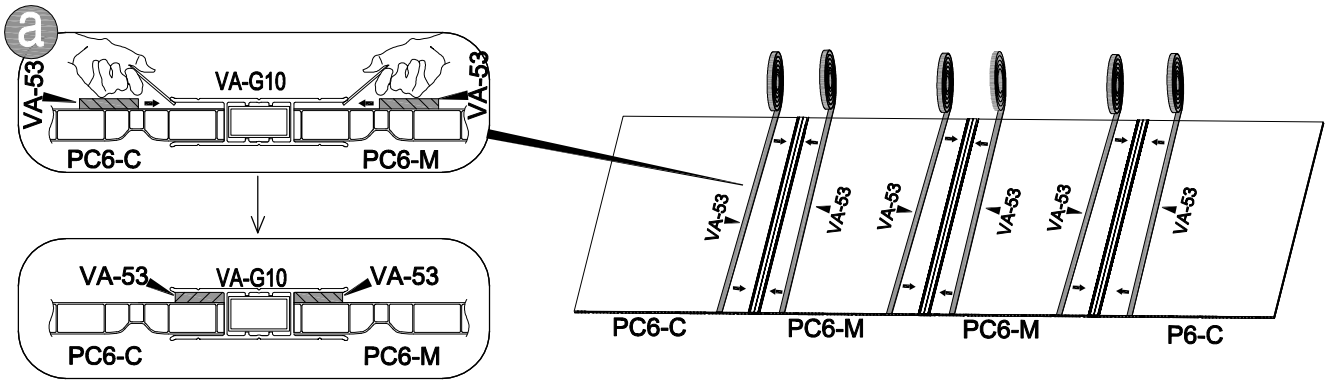
VA-T44 [x34]  
13mm




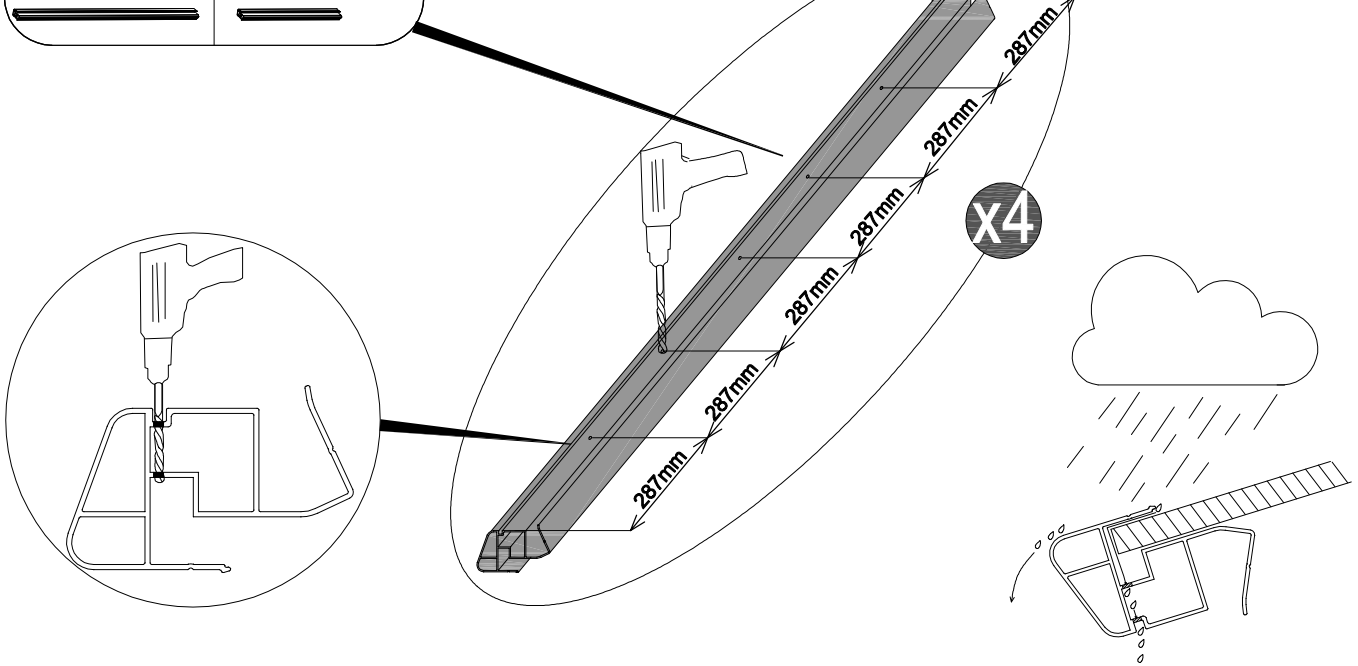
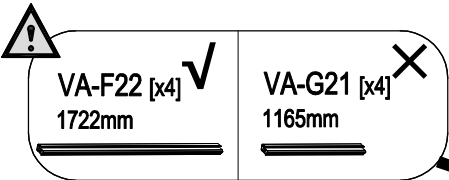
<b>35</b>	 PC6-M [x4] 1285x856mm	 PC6-C [x4] 1285x920mm	 VA-G10 [x6] 1285mm	 VA-G13 [x6] 1285mm	 VA-T44 [x48] 13mm	 CN-A33
-----------	---	---	--	---	---	---



36	 VA-53 [x3]	 VA-T44 [x36] 13mm		 CN-A33
----	---	---	--	---



37	 VA-F22 [x4] 1722mm	 Ø8mm		
----	--	---	--	--



38



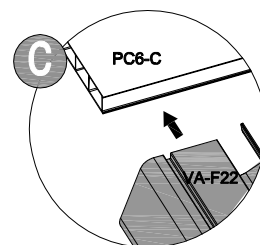
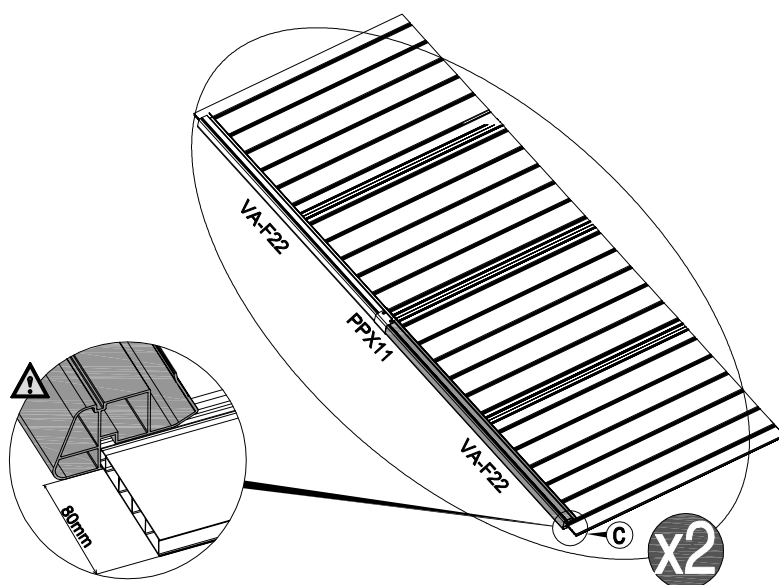
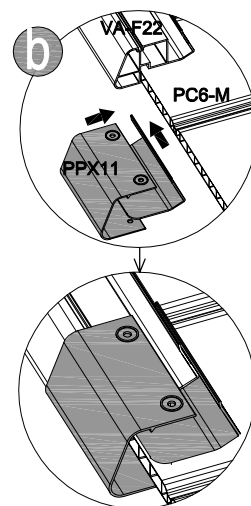
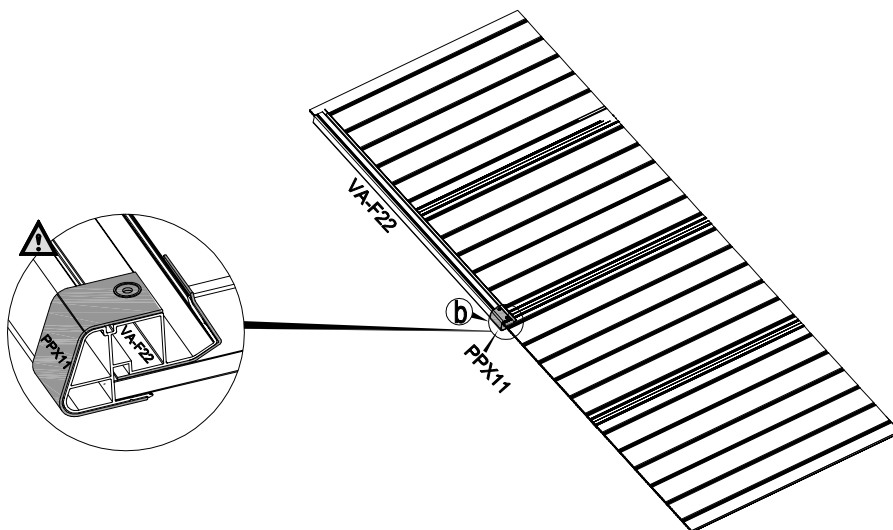
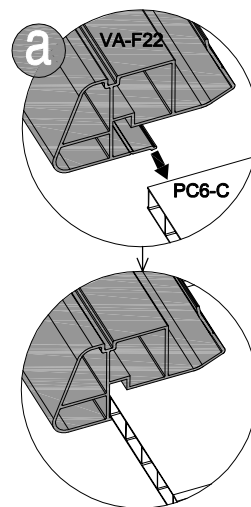
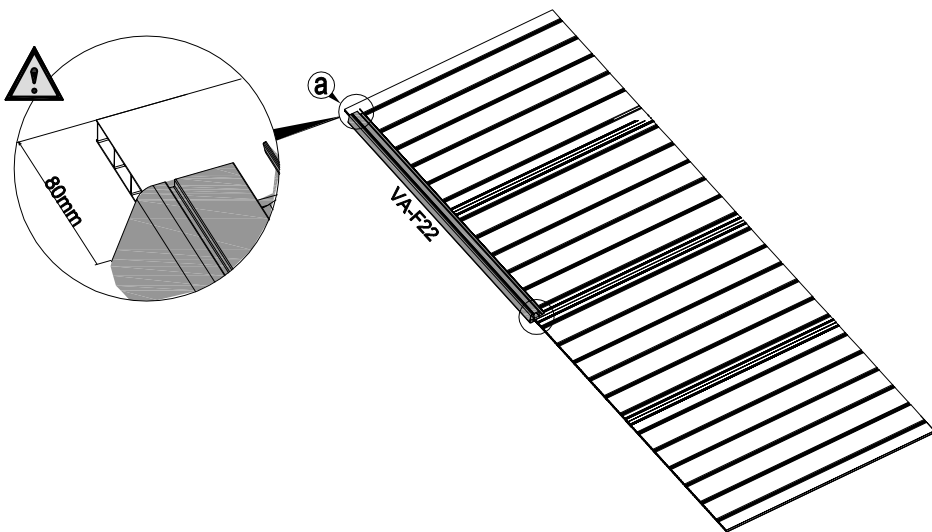
VA-F22 [x4]  
1722mm

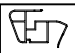






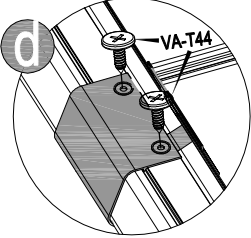
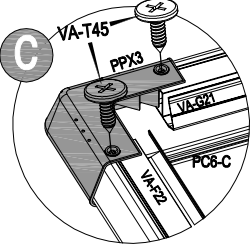
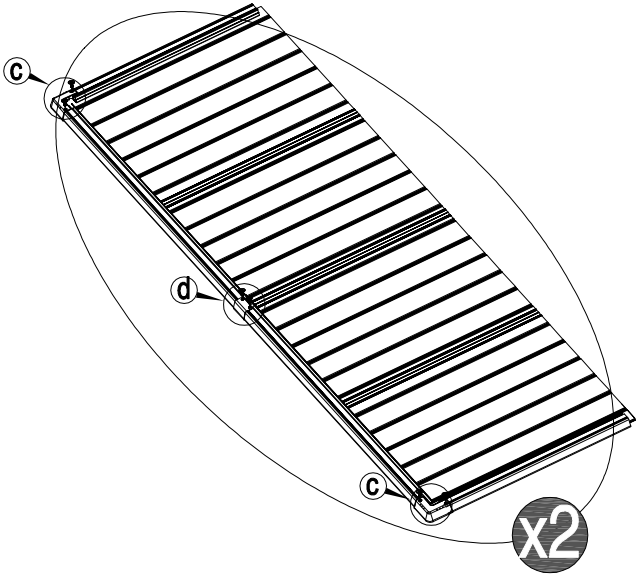
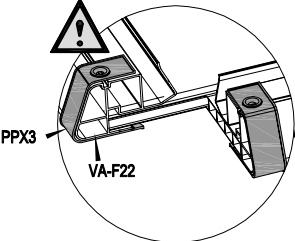
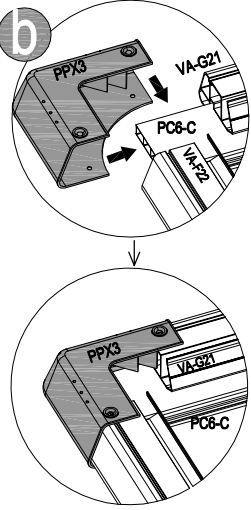
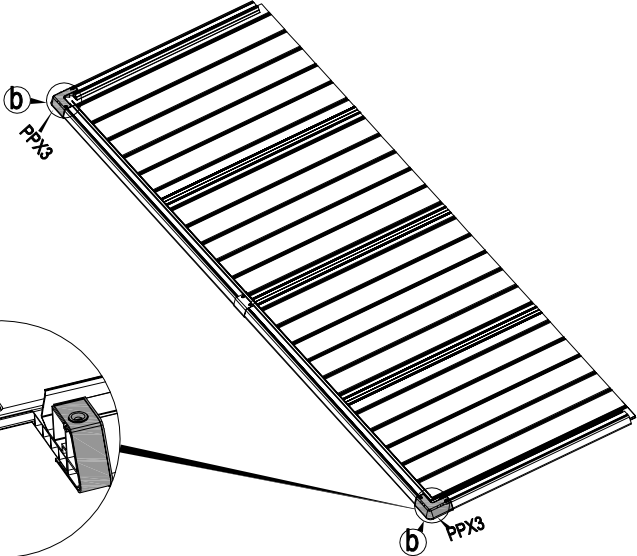
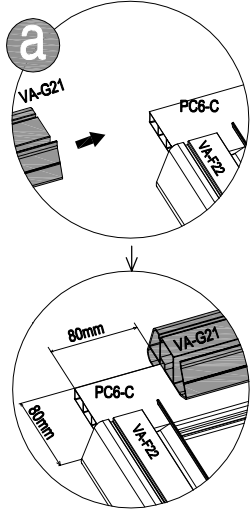
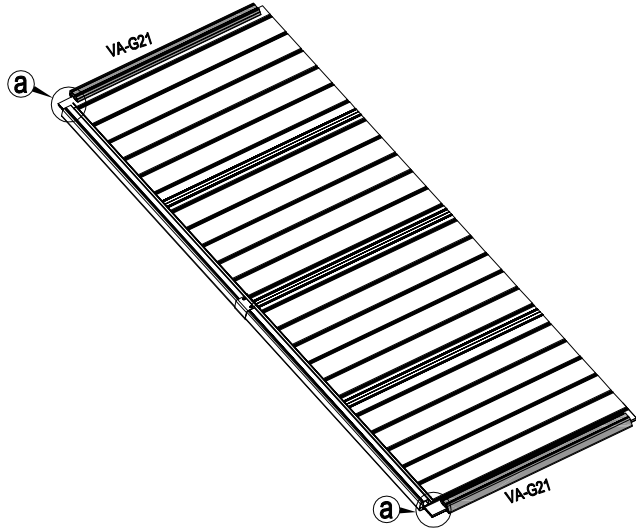
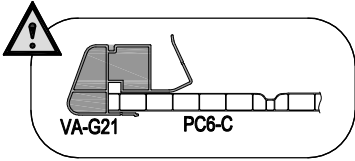
PPX11 [x2]



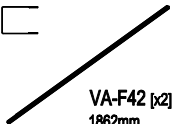





CN-A33

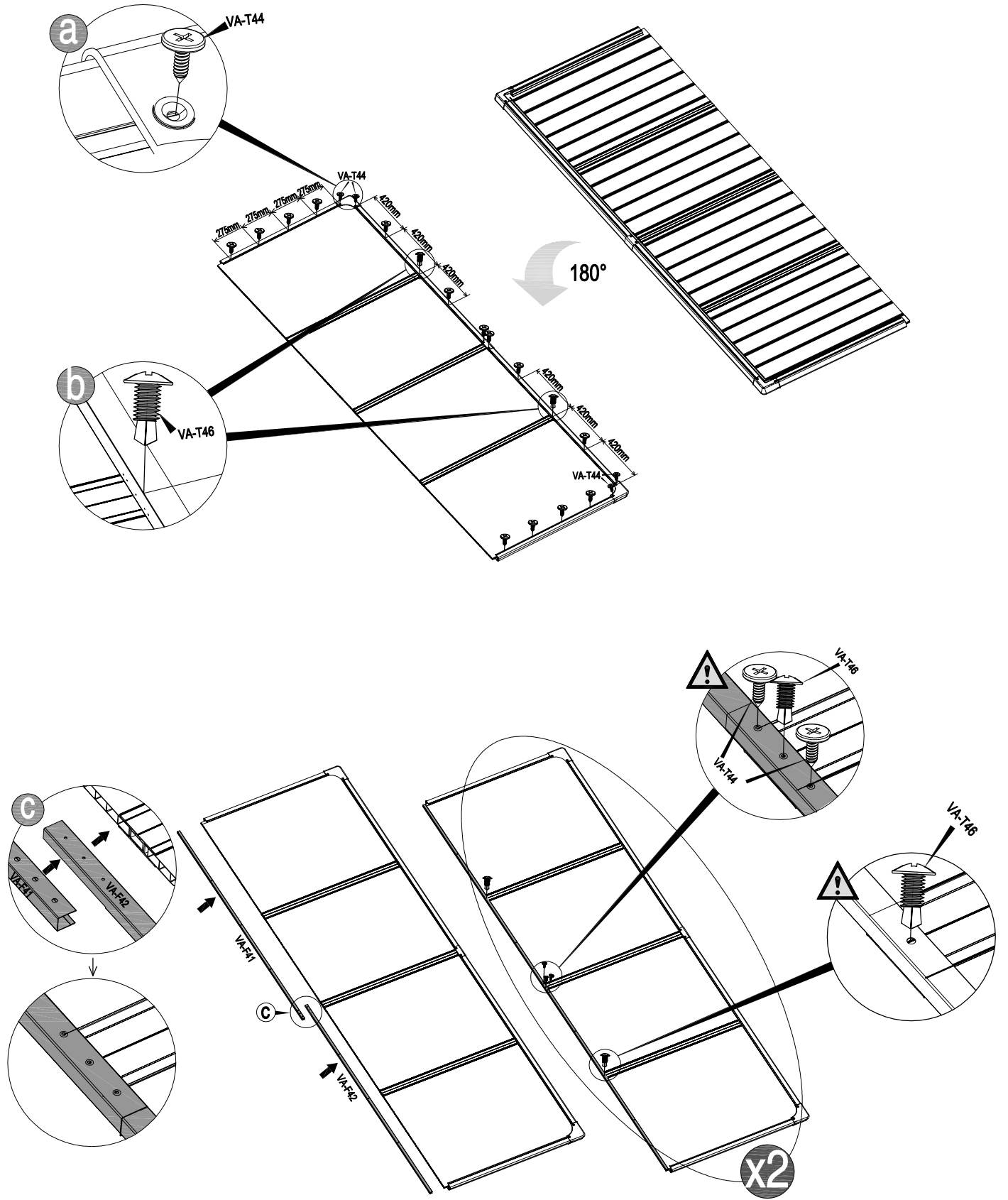


39	 VA-G21 [x4] 1165mm	 PPX3[x4]	 VA-T44 [x4] 13mm	 VA-T45 [x8] 19mm		 CN-A33
----	--	---	--	--	--	---





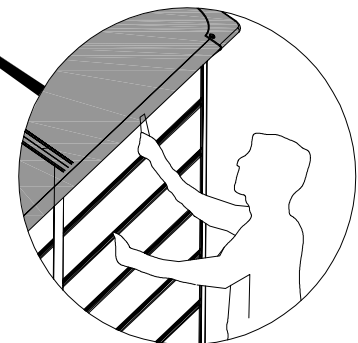
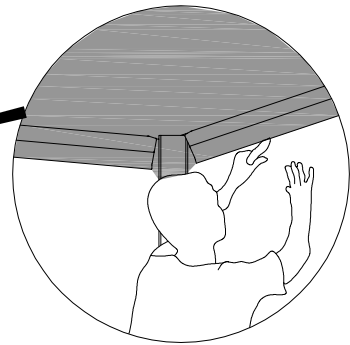
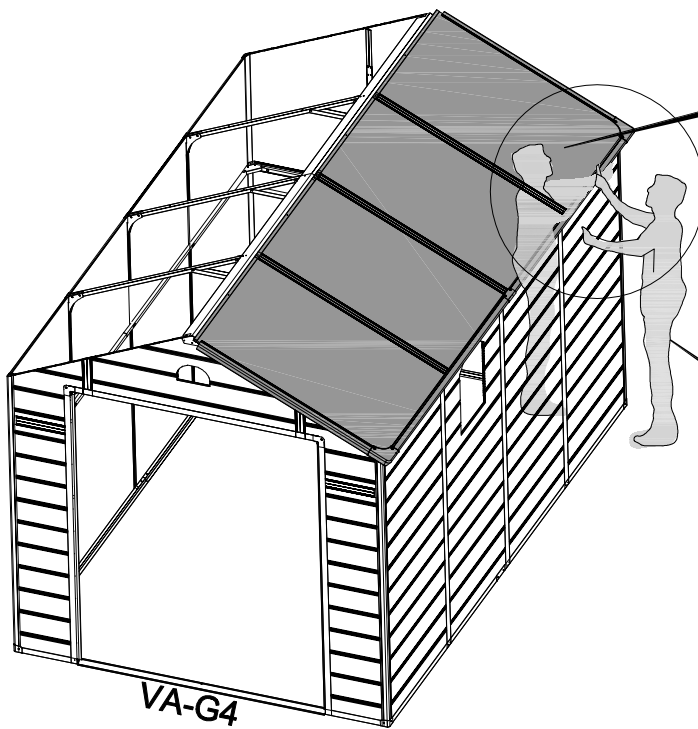
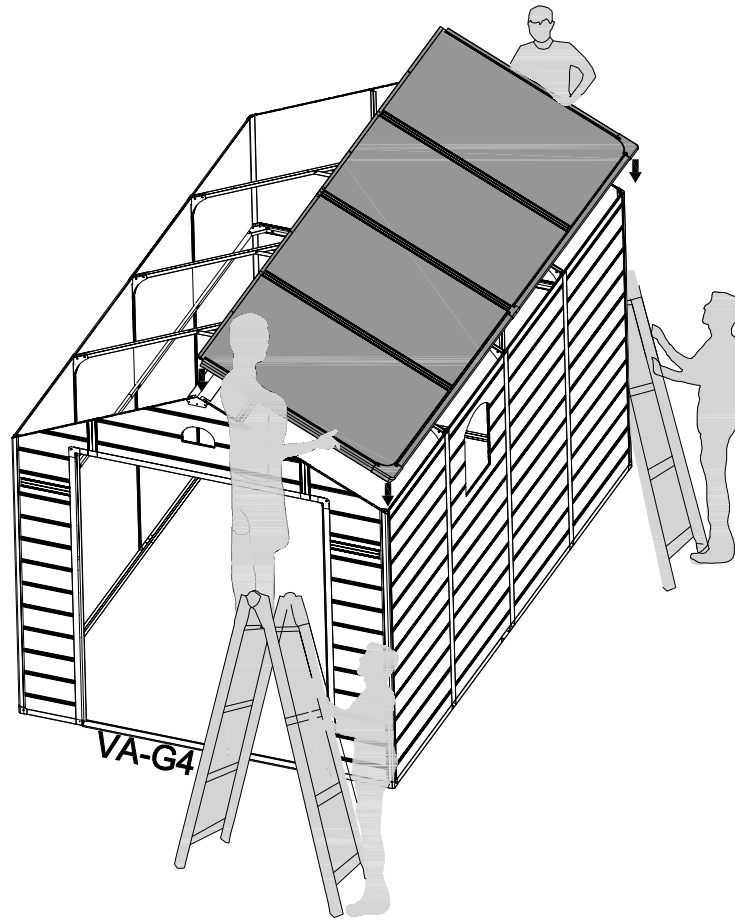
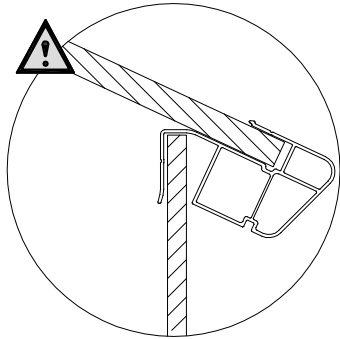
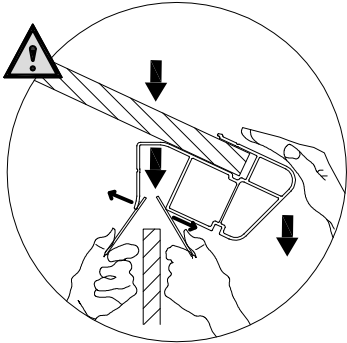
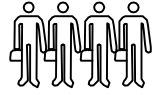
40	 VA-F42 [x2] 1862mm	 VA-F41 [x2] 1863mm	 VA-T45 [x28] 19mm	 VA-T46 [x10] 13mm	 VA-T44 [x12] 13mm	 CN-A33	
----	--	--	---	---	---	---	--



41



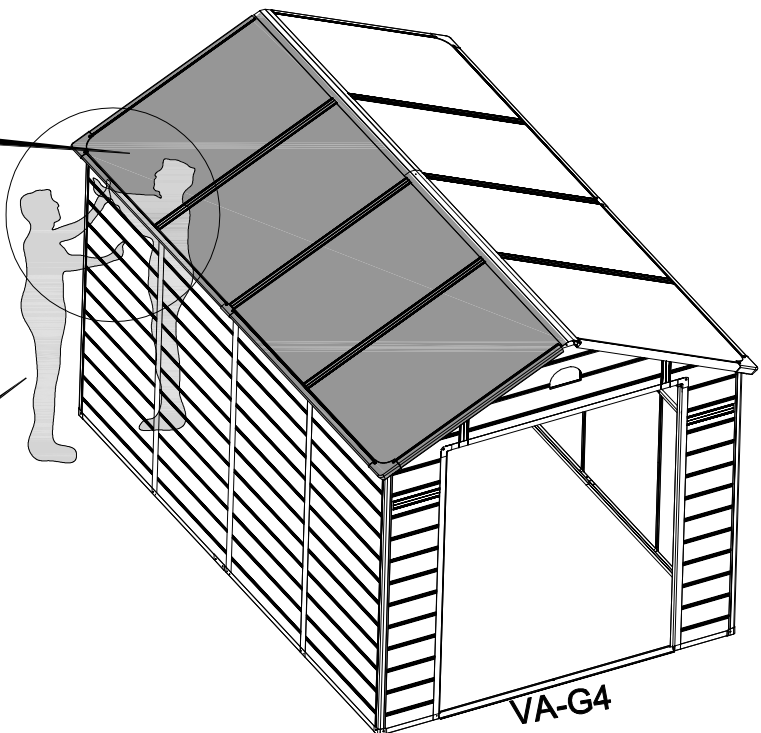
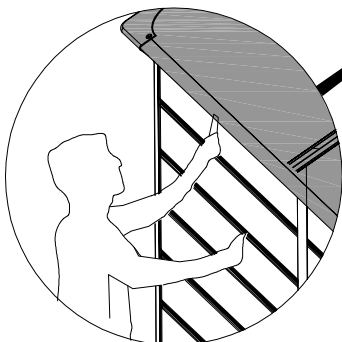
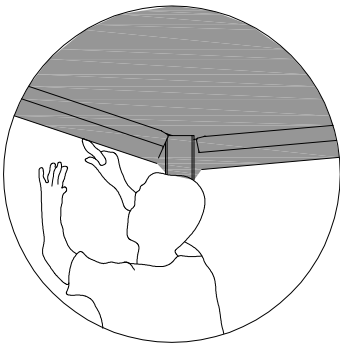
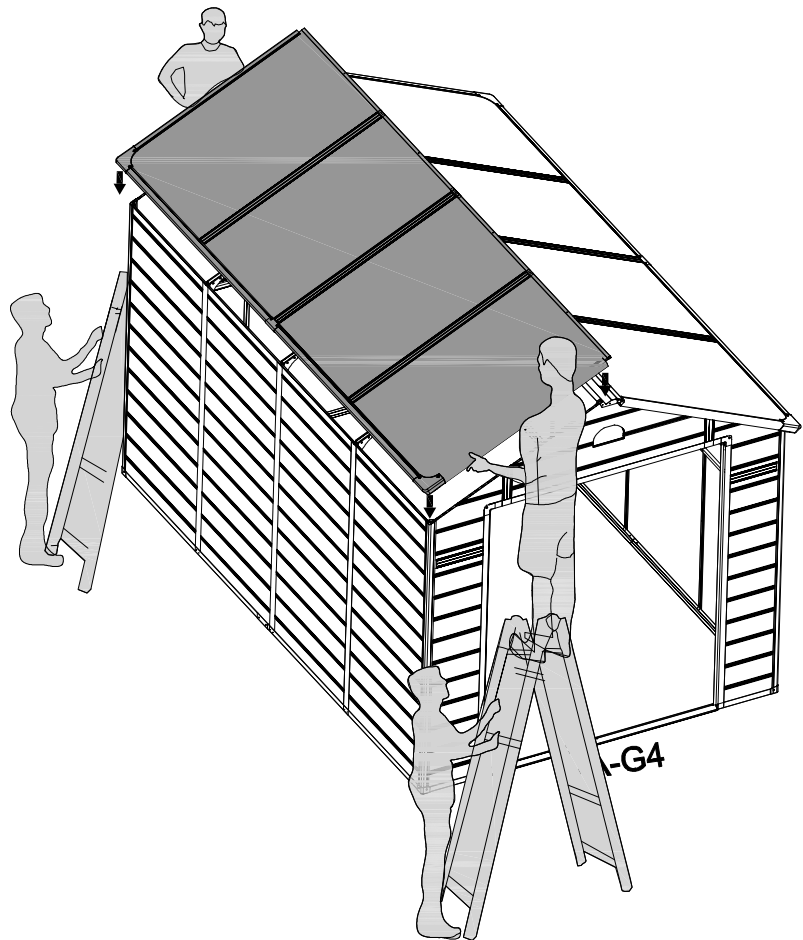
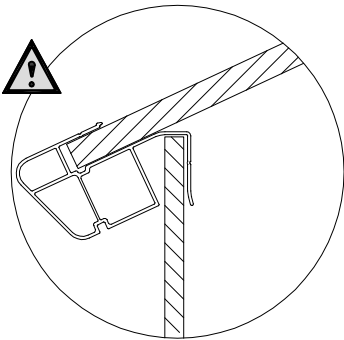
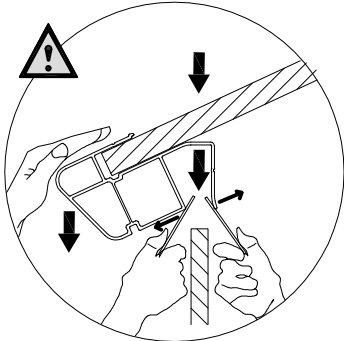
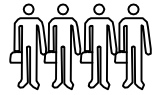
CN-A33



42



CN-A33



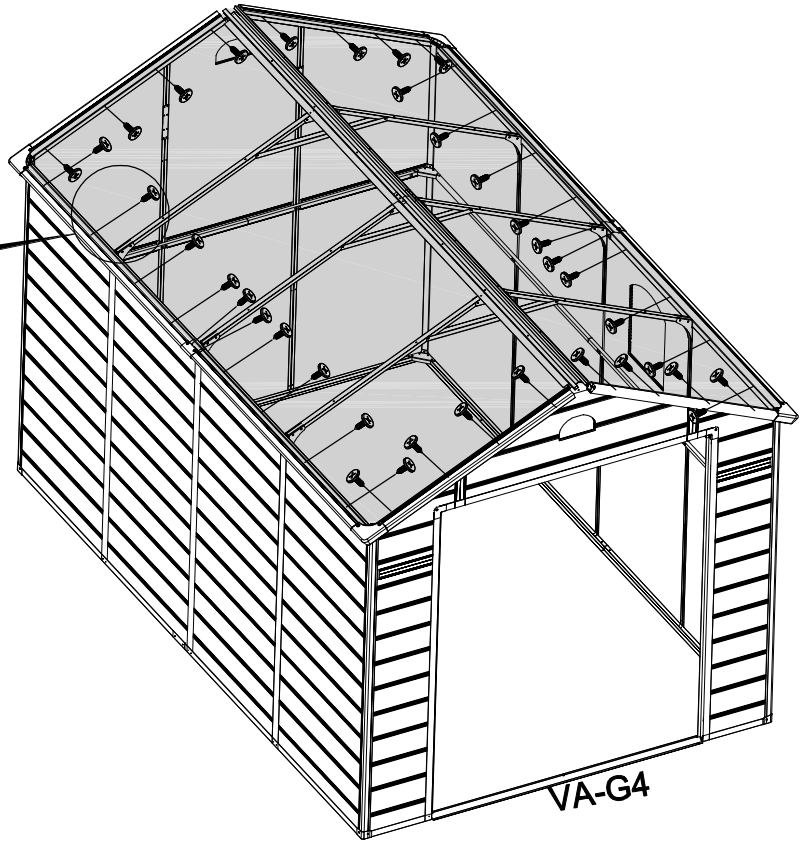
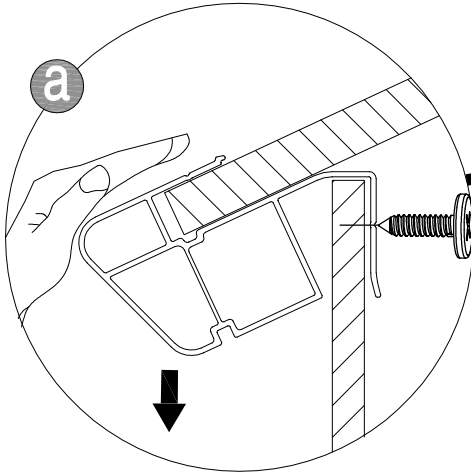
43



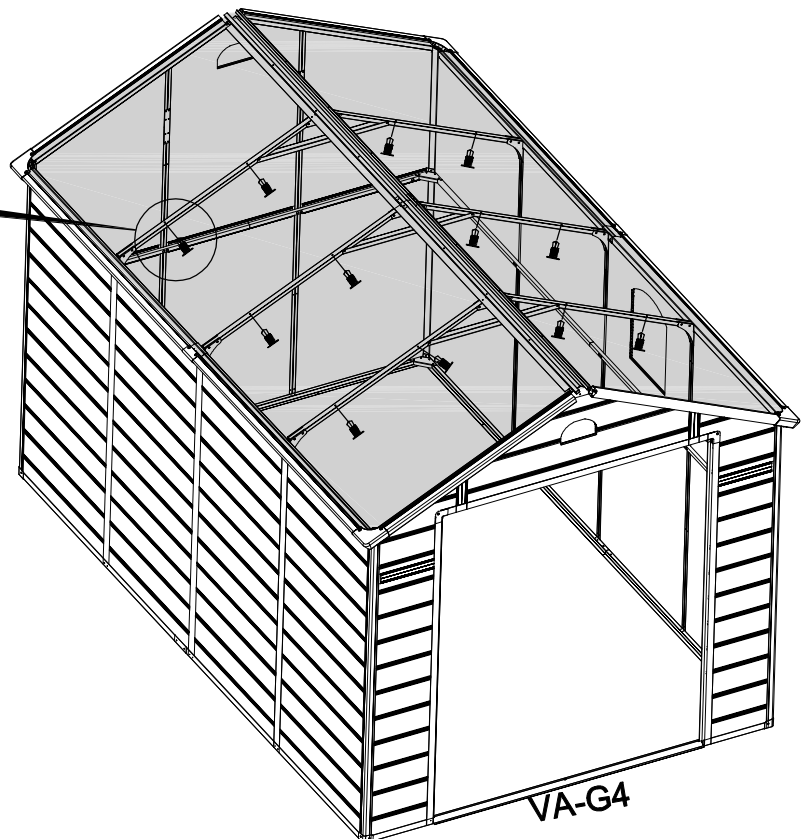
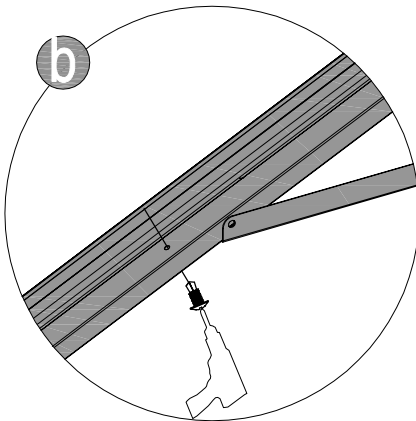
VA-T45 [x36]  
19mm



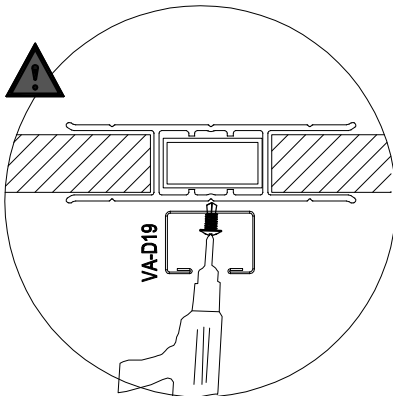
VA-T46 [x12]  
13mm







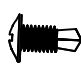

VA-G4

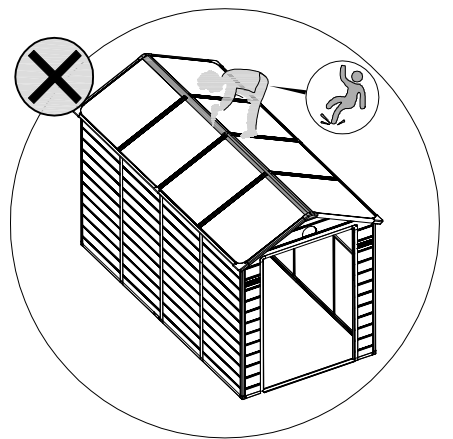
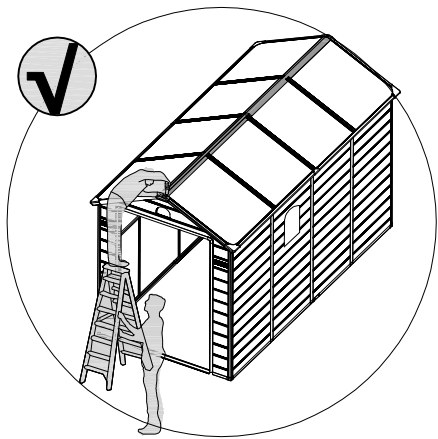
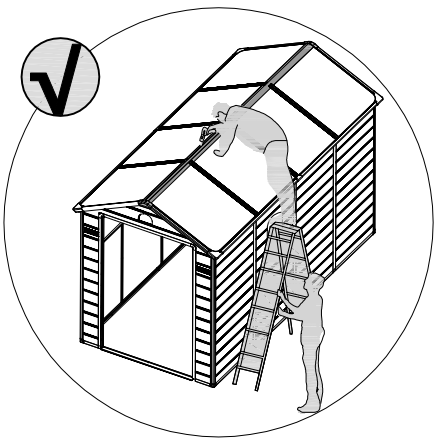
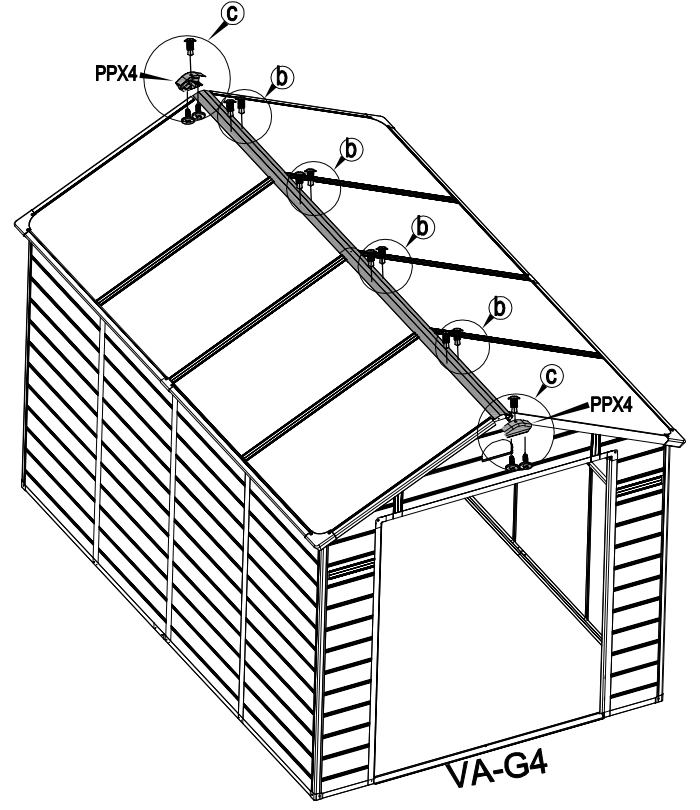
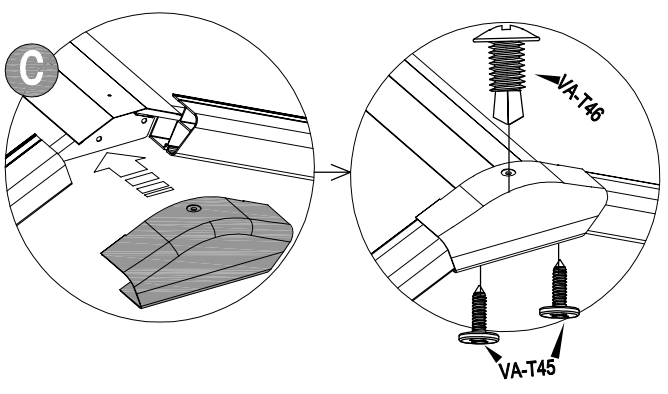
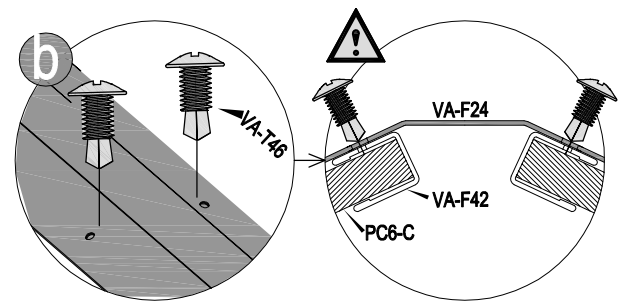
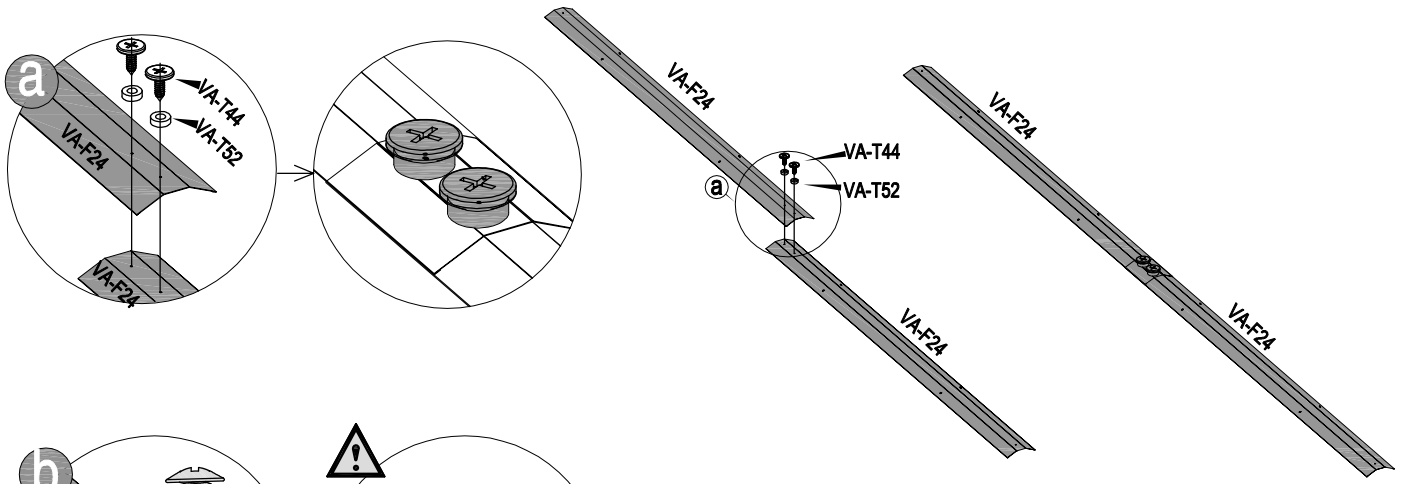


VA-G4



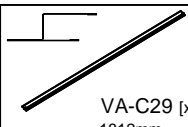
VA-D19

44	 VA-F24 [x2] 1880mm	 PPX4 [x2]	 VA-T44 [x2] 13mm	 VA-T45 [x4] 19mm	 VA-T46 [x10] 13mm	 VA-T52 [x2]
----	--	--	--	---	---	--



45

PC7S [x1]  
1810x746mm



VA-C29 [x1]  
1812mm



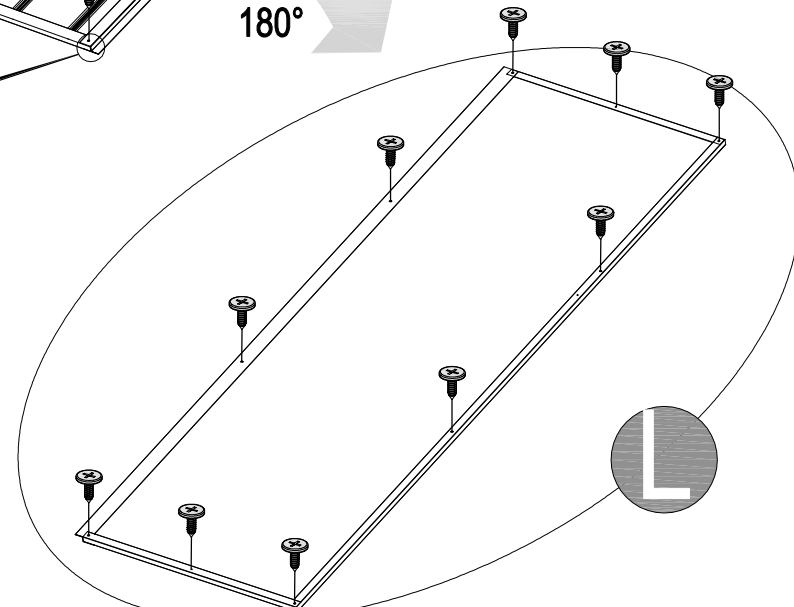
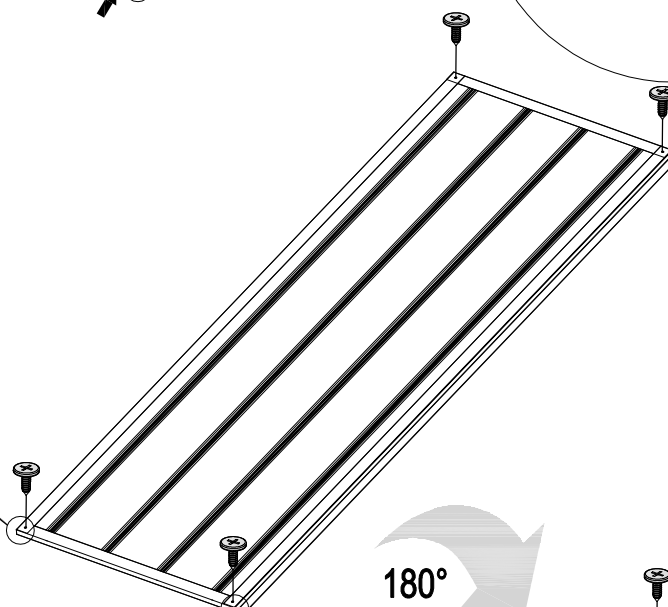
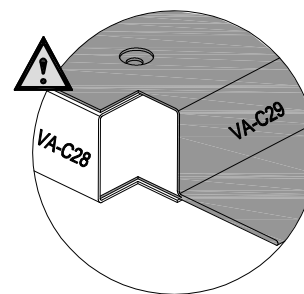
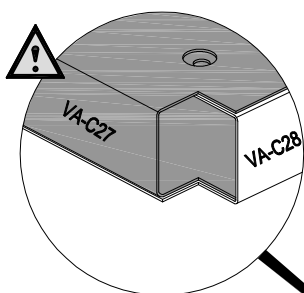
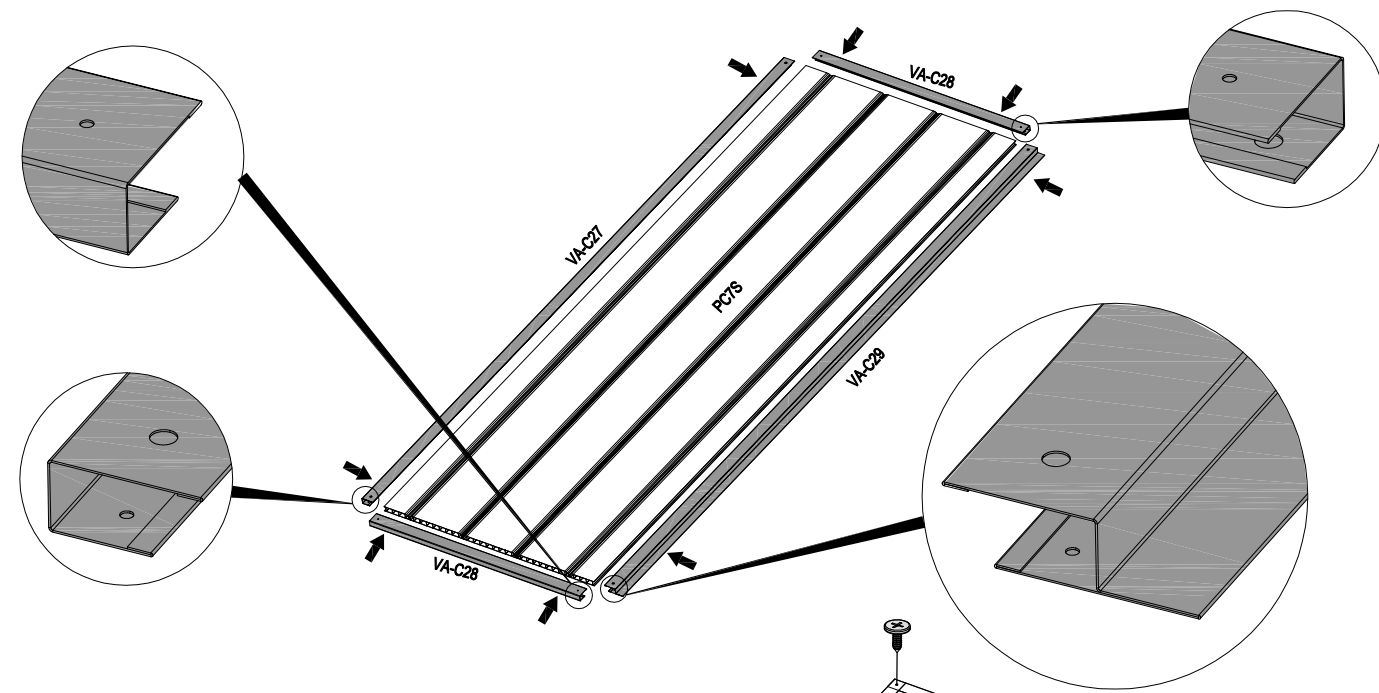
VA-C27 [x1]  
1812mm



VA-C28 [x2]  
592mm



VA-T44 [x14]  
13mm



46

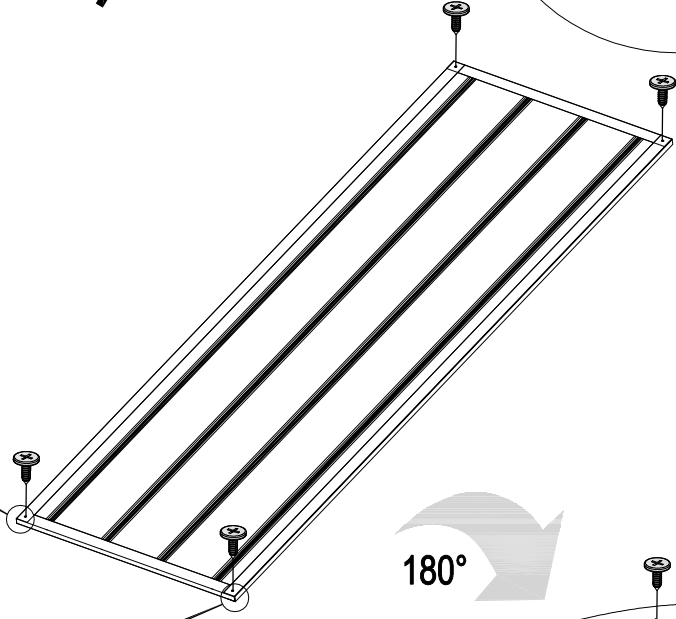
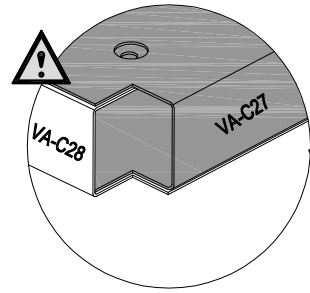
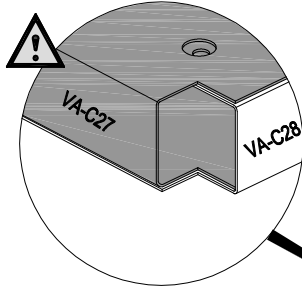
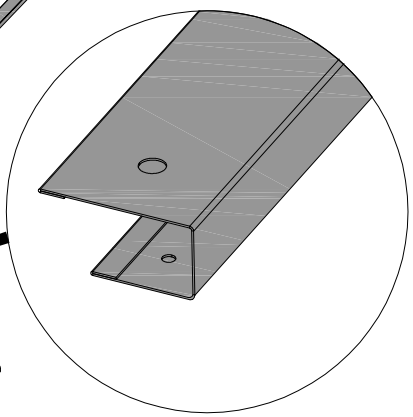
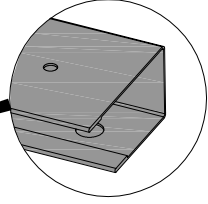
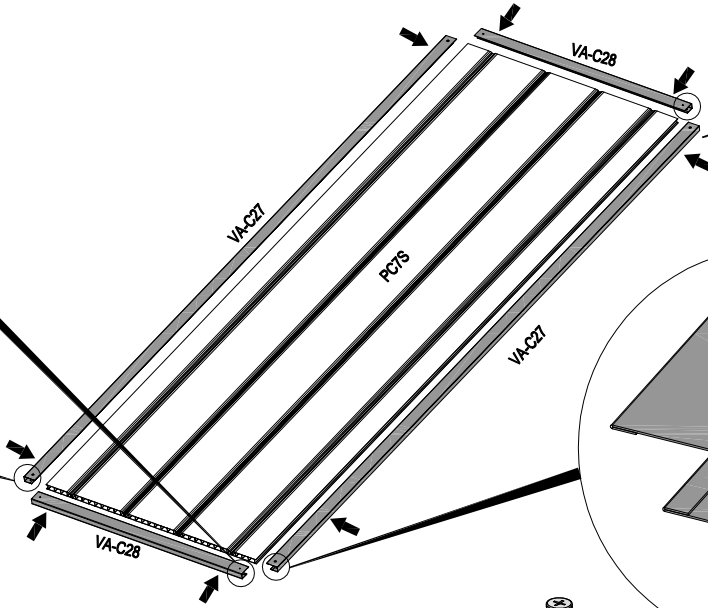
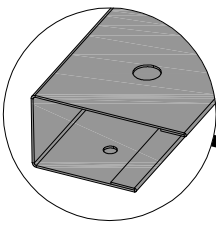
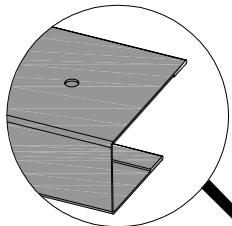
PC7S [x1]  
1810x746mm



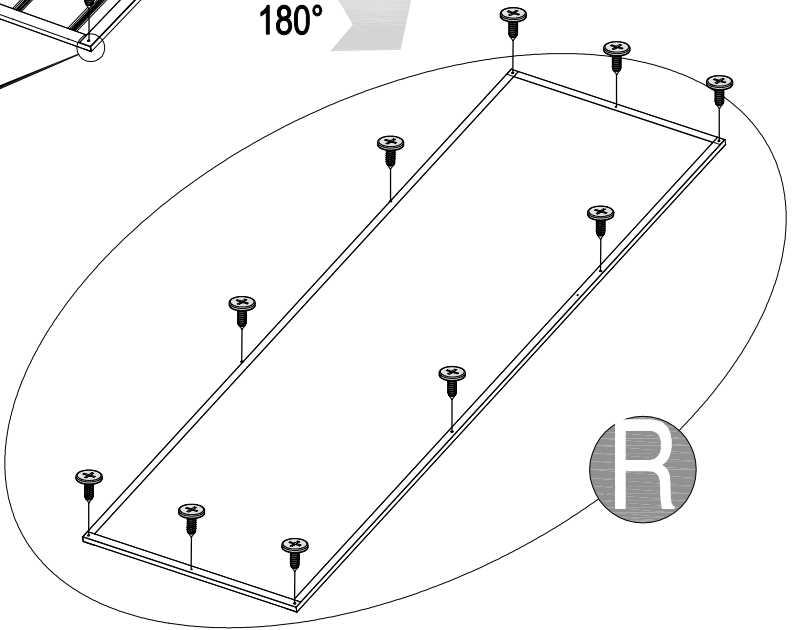
VA-C27 [x2]  
1812mm

VA-C28 [x2]  
592mm

VA-T44 [x14]  
13mm



180°



47



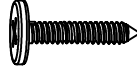
VA-41 [x4]



VA-40 [x1]



PA01 [x3]



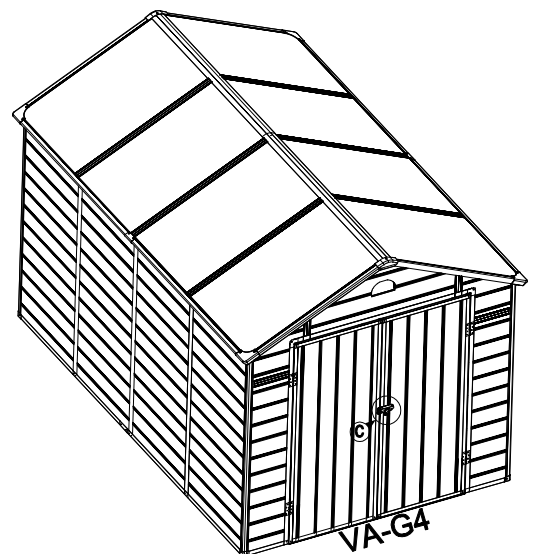
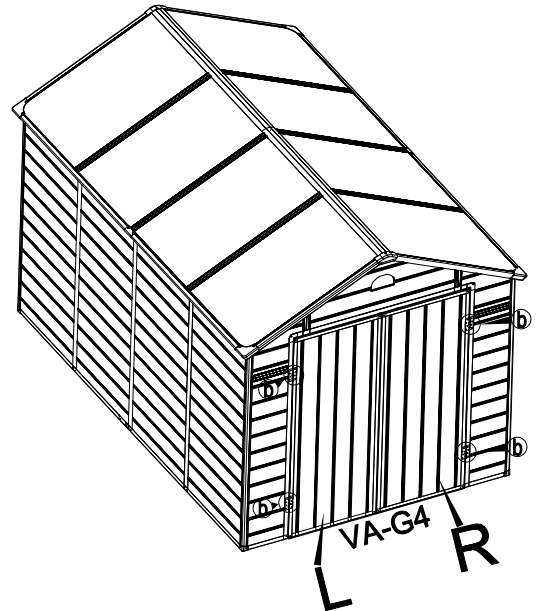
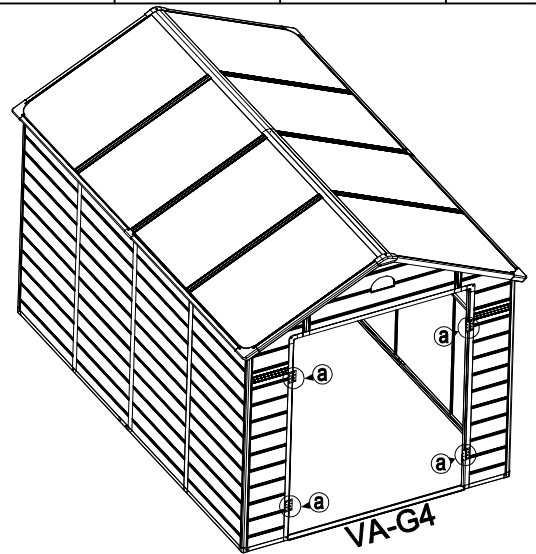
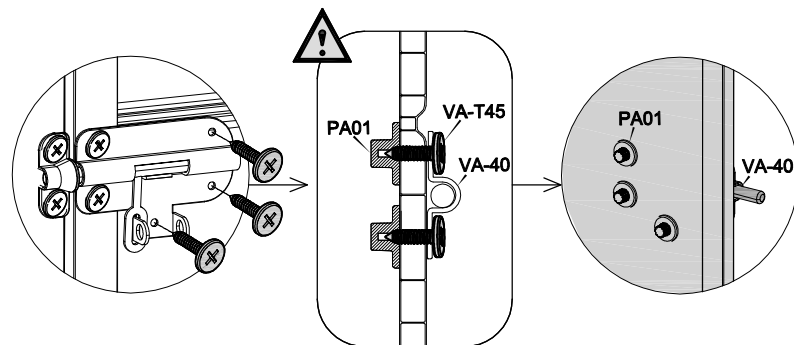
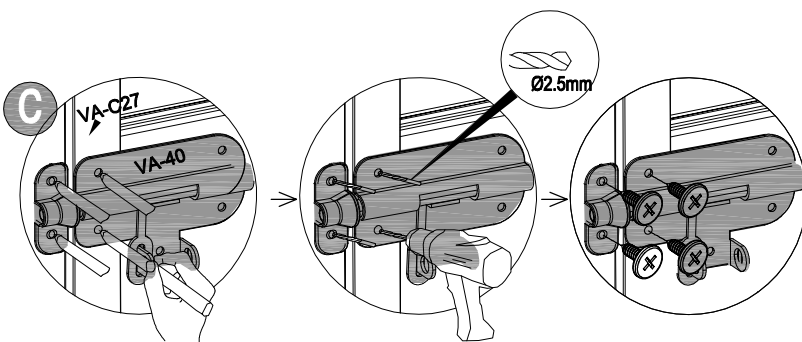
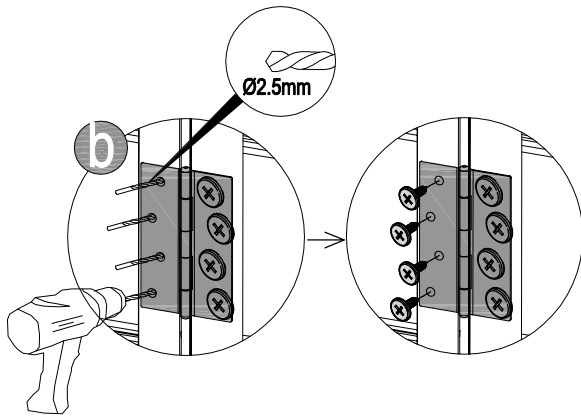
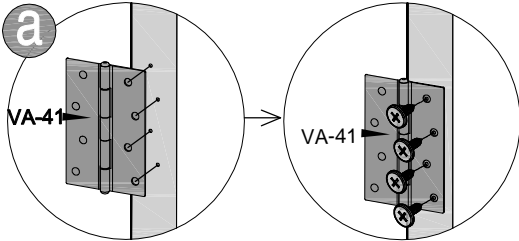
VA-T45 [x3]  
19mm



VA-T44 [x36]  
13mm



Ø2.5mm

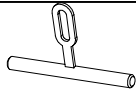




48



VA-38a [x2]



VA-38b [x2]



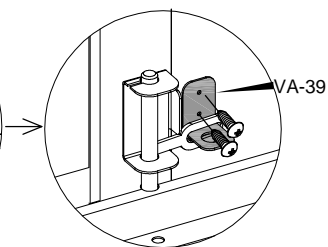
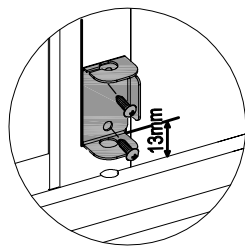
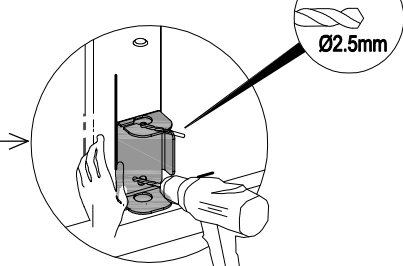
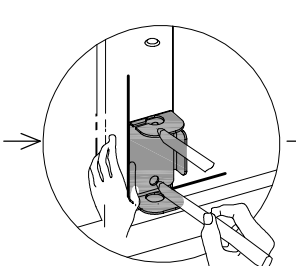
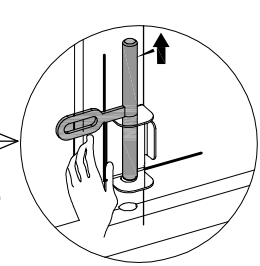
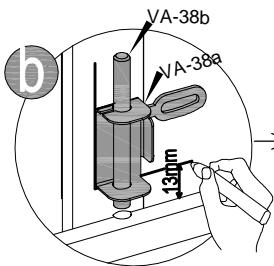
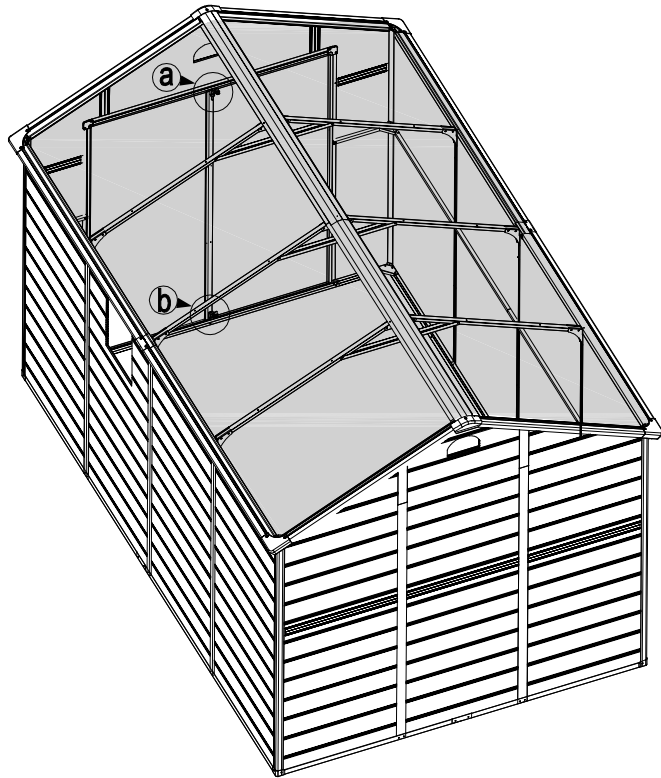
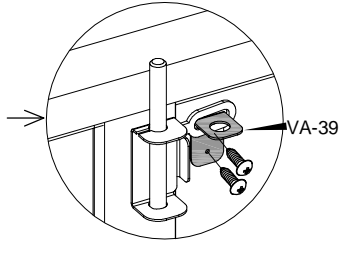
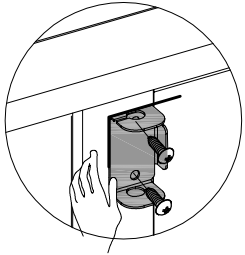
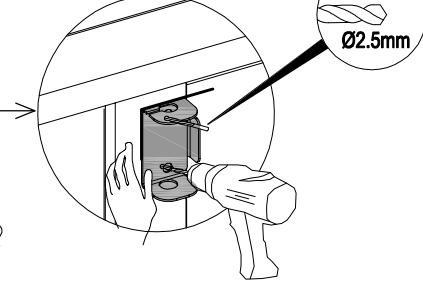
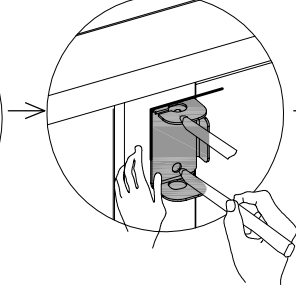
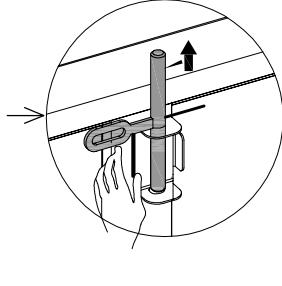
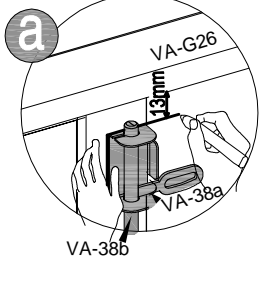
VA-39 [x2]



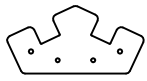
VA-T49 [x8]  
13mm



Ø2.5mm



49



VA-36 [x2]



VA-32L [x2]



VA-32R [x2]



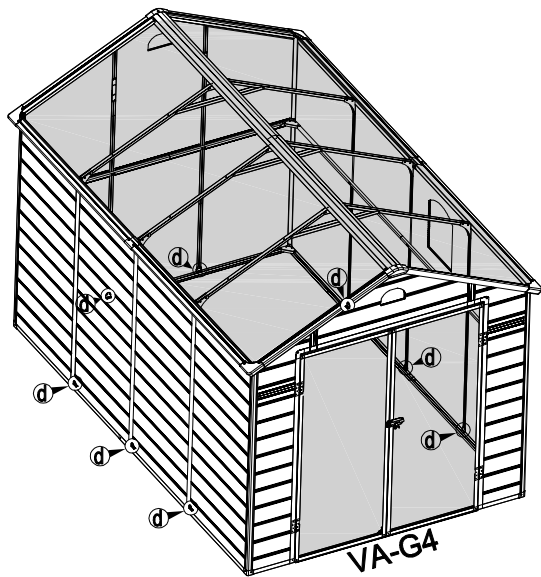
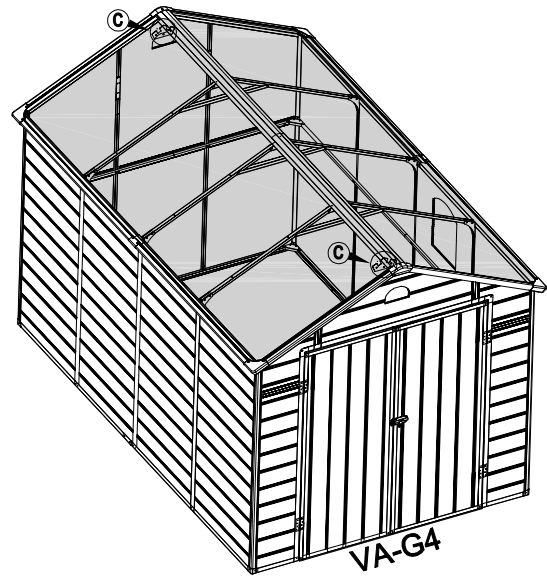
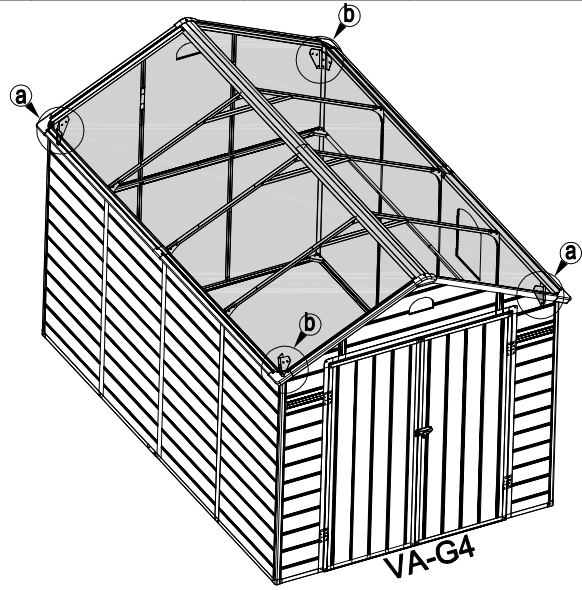
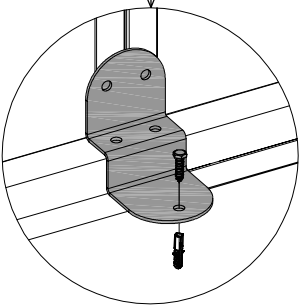
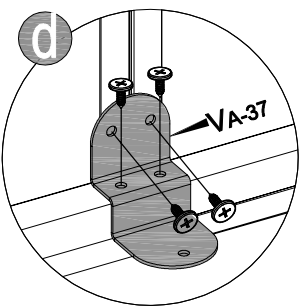
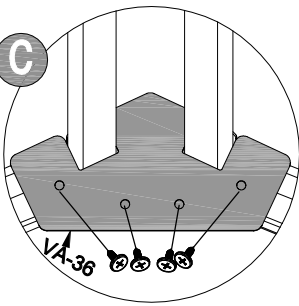
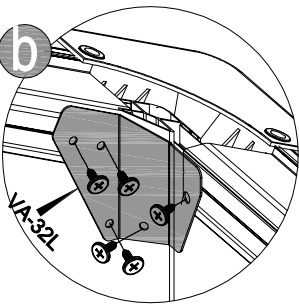
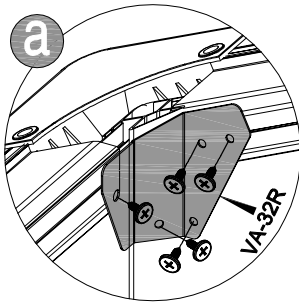
VA-37 [x8]

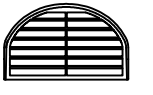
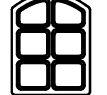
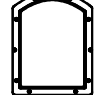






VA-T44 [x60]  
13mm



VA-T48 [x8]  
40mm



50	 PPX14 [x2]	 PPX12 [x1]	 PPX13 [x1]	 W2S [x1]	 VA-51 [x1]	 VA-T44 [x10] 13mm	
----	---	---	---	---	--	---	---

