



THANK YOU FOR BUYING A WHIRLPOOL PRODUCT.
In order to receive a more complete assistance, please register your appliance on: www.whirlpool.eu/register

Before using the appliance carefully read Safety and Installation Instructions. More information about your product available on website: docs.whirlpool.eu

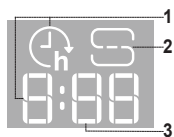
After installation, please remember to remove all transport protection parts from the dishwasher.

CONTROL PANEL



- ON-OFF/Reset** button with indicator light
- Eco program** button with indicator light
- Rapid program** button with indicator light/ **Prewash program** - 3 sec. press
- Crystals program** button with indicator light/ **Self-Clean program** - 3 sec. press
- Auto programs** buttons with indicator lights - **Auto Intensive** 65°/ **Auto Mixed** 55°/ **Auto Fast** 50°
- Salt reservoir empty** indicator light
- Rinse Aid** reservoir empty indicator light
- Display**
- Program number** and **remaining time** indicator
- Closed water tap** indicator light
- DESCALE** indicator light
- Extra options** buttons with indicator lights - **Half Load/ Silent/ Sani Rinse**
- Power Clean® option** button with indicator light
- Extra Dry option** button with indicator light / **Settings** - 3 sec. press
- Delay option** button with indicator light
- START/Pause** button with indicator light

DISPLAY ON THE FLOOR



- Delay Time on the floor** - indicator of the time left to the start of the cycle, when the Delay option is set
- Salt reservoir empty** - indicator light on the floor
- Remaining Time on the floor** - indicator of the time left to the end of the cycle

FIRST TIME USE

SETTING MENU

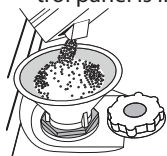
- Switch on the appliance by pressing the **ON-OFF** button.
- Hold the **Settings** (Extra Dry) button for 3 seconds, until you hear a beep and the display shows „**Set**“.
- After one second the first available setting (letter „**h**“) will be displayed.
- Press **Auto programs** / **Extra options** buttons to scroll through the list of available settings (see table below), then press **START/Pause** to view and change the value of currently selected setting.
- Press **Auto programs** / **Extra options** to change the value, then press **START/Pause** to save the new value.
- To change another setting, repeat points 2 and 5.
- Press **ON-OFF** or wait 30 seconds to exit the menu.

LETTER	SETTING	VALUES (Default - in bold)
h	Water Hardness Level (see "SETTING THE WATER HARDNESS" and "WATER HARDNESS TABLE")	1 2 3 4 5
f	Rinse Aid Level (see "ADJUSTING THE DOSAGE OF RINSE AID")	0 1 2 3 4 5
□	NaturalDry (see "OPTIONS AND FUNCTIONS") "1" = On, "0" = Off	1 0
⏰	Time on the floor (see "OPTIONS AND FUNCTIONS") "1" = On, "0" = Off	1 0
🔊	Sound "1" = On, "0" = Off	1 0
⏪	Factory Settings Press START/Pause to restore to the factory default all the values of the settings included in the settings menu.	-

FILLING THE SALT RESERVOIR

The use of salt prevents the formation of LIMESCALE on the dishes and the machine's functional components. The salt reservoir is located in the lower part of the dishwasher (under the lower rack on the left side).

- It is mandatory that **the salt reservoir never be empty**.
- It is important to set the water hardness.
- Salt must be filled when the **SALT REFILL indicator light** on the control panel is lit.



- Remove the lower rack and unscrew the reservoir cap (anticlockwise).
- Position the funnel (see figure) and fill the salt reservoir right up to its edge (approximately 0,5 kg); it is not unusual for a little water to leak out.
- Only the first time you do this: fill the salt reservoir with water.**

4. Remove the funnel and wipe any salt residue away from the opening. Make sure the cap is screwed on tightly so that no detergent can get into the container during the wash program (this could damage the water softener beyond repair).

Run a program every time as soon as you completed refilling the salt reservoir to avoid corrosion.

Setting the water hardness

To allow the water softener to work in a perfect way, it is essential that the water hardness setting is based on the actual water hardness in your house. This information can be obtained from your local water supplier. The factory setting is "3". See „**WATER HARDNESS TABLE**“.

Level	°dH German degrees	°fH French degrees	°Clark English degrees
1 (Soft)	0 - 6	0 - 10	0 - 7
2 (Medium)	7 - 11	11 - 20	8 - 14
3 (Average)	12 - 16	21 - 29	15 - 20
4 (Hard)	17 - 34	30 - 60	21 - 42
5 (Very hard)	35 - 50	61 - 90	43 - 62

To change, follow instructions in section „SETTING MENU“.

Only use salt that has been specifically designed for dishwashers. After the salt has been poured into the machine, the SALT REFILL indicator light switches off.

If the salt container is not filled, the water softener and the heating element may be damaged as a result of limescale accumulation. Use of salt is recommended with any type of dishwasher detergent.

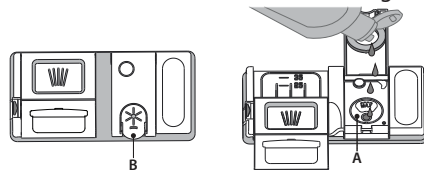
WATER SOFTENING SYSTEM

Water softener automatically reduces water hardness, consequently preventing scale buildup on the heater, contributing also to better cleaning efficiency. **This system regenerates itself with salt, therefore it is required to refill the salt container when empty.** The frequency of regeneration depends on the water hardness level setting - regeneration takes place once per 4-6 Eco cycles with the water hardness level set to 3. The regeneration process occurs at the beginning of the cycle with additional fresh water.

- Single regeneration consumes: ~3L of water;
- Takes up to 5 additional minutes for the cycle;
- Consumes below 0.005kWh of energy.

FILLING THE RINSE AID DISPENSER

Rinse aid makes dish DRYING easier. The rinse aid dispenser A should be filled when the RINSE AID REFILL indicator light in the control panel is lit.



- Open the dispenser **B** by pressing and pulling up the tab on the lid.
- Pour in the rinse aid (max. 110 ml), making sure it does not overflow from the dispenser. If this happens, clean the spill immediately with a dry cloth.

- Press the lid down until you hear a click to close it.
NEVER pour the rinse aid directly into the appliance tub.

Adjusting the dosage of rinse aid

If you are not completely satisfied with the drying results, you can adjust the quantity of rinse aid used.

To change, follow instructions in the section „*SETTING MENU*“.

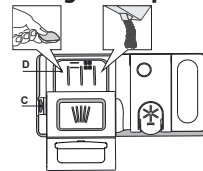
If the rinse aid level is set to ZERO, no rinse aid will be supplied. The **LOW RINSE AID indicator** light will not be lit if you run out of rinse aid.

A maximum of **6** levels can be set according to the dishwasher model.

- If you see bluish streaks on the dishes, set a low number (0-3).
- If there are drops of water or limescale marks on the dishes, set a mid-range number (4-5).

FILLING THE DETERGENT DISPENSER

To open the detergent dispenser use the opening device **C**. Introduce the detergent into the dry dispenser **D** only. Place the amount of detergent for pre-washing directly inside the tub.



1. When measuring out the detergent refer to the mentioned earlier information to add the proper quantity. Inside the dispenser **D**, there are indications to help the detergent dosing.
2. Remove detergent residues from the edges of the dispenser and close the cover until it clicks.
3. Close the lid of the detergent dispenser by pulling it up until the closing device is secured in place.

The detergent dispenser automatically opens up at the right time according to the program.

Usage of detergent not designed for dishwashers may cause malfunction or damage to the appliance.

DAILY USE

1. CHECK WATER CONNECTION

Check that the dishwasher is connected to the water supply and that the tap is open.

2. SWITCH ON THE DISHWASHER

Open the door and press the **ON/OFF** button.

3. LOAD THE RACKS (see *LOADING THE RACKS*).

4. FILL THE DETERGENT DISPENSER

5. CHOOSE THE PROGRAM AND CUSTOMISE THE CYCLE

Select the most appropriate program in accordance with the type of crockery and its soiling level (see *PROGRAMS DESCRIPTION*) by pressing the selected **PROGRAM** button.

Select the desired options (see *OPTIONS AND FUNCTIONS*).

Not all options are compatible with all programs.

6. START

Start the wash cycle by pressing **START/Pause** button (led is lit) and closing the door within 4 sec. When the program starts you hear a single beep. If the door was not closed within 4sec., the alarm sound will be played. In this case, open the door, press **START/Pause** button and close the door again within 4 sec.

7. END OF WASH CYCLE

The end of the wash cycle is indicated by sound and the display shows **END**. Open the door and switch off the appliance by pressing the **ON/OFF** button.

Wait for a few minutes before removing the crockery - to avoid burns.

Unload the racks, beginning with the lower one.

MODIFYING A RUNNING PROGRAM

If a wrong program was selected, it is possible to change it, provided that it has only just begun. **RESET** the machine: press and hold the **ON/OFF** button for more than 3. sec., and the machine will switch off. **The dashboard will show "0:01"**. Close the door and wait until drain cycle ends (around 1 minute). Open the door and switch the machine back on using the **ON/OFF** button and select the new wash cycle and any desired options. Start the cycle by pressing the **START/Pause** button and closing the door within 4 sec.

ADDING EXTRA CROCKERY

Without switching off the machine, open the door first slightly to avoid water splashing out (**START/Pause** led starts blinking) (**Caution: Hot steam!**) and place the crockery inside the dishwasher. Press the **START/Pause** button and close the door within 4 sec., the cycle will resume from the point at which it was interrupted.

ACCIDENTAL INTERRUPTIONS

If the door is opened during the wash cycle, or if there is a power cut, the cycle stops. **ONLY IF YOU PRESS** the **START/Pause** button and close the door within 4 sec., the cycle will resume from the point at which it was interrupted.

ADVICE AND TIPS

TIPS

Before loading the baskets, remove all food residues from the crockery and empty the glasses. **You do not need to rinse beforehand under running water.**

Arrange the crockery so that it is held in place firmly and does not tip over; and arrange the containers with the openings facing downwards and the concave/convex parts placed obliquely, thus allowing the water to reach every surface and flow freely.

Warning: lids, handles, trays and frying pans should not prevent the sprayer arms from rotating.

Place any small items in the cutlery basket.

Very soiled dishes and pans should be placed in the lower basket because in this sector the water sprays are stronger and allow a higher washing performance.

After loading the appliance, make sure that the sprayer arms can rotate freely.

UNSUITABLE CROCKERY

- Wooden crockery and cutlery.
- Delicately decorated glasses, artistic handicrafts and antique crockery. Their decorations are not resistant.
- Parts in synthetic material which do not withstand high temperatures.
- Copper and tin crockery.
- Crockery soiled with ash, wax, lubricating grease or ink.

The colours of glass decorations and aluminium/silver pieces can change and fade during the washing process. Some types of glass (e.g. crystal objects) can become opaque after a number of wash cycles too.

DAMAGE TO GLASS AND CROCKERY

- Only use glasses and porcelain guaranteed by the manufacturer as dishwasher safe.
- Use a delicate detergent suitable for crockery
- Collect glasses and cutlery from the dishwasher as soon as the wash cycle is over.

TIPS ON ENERGY SAVING

- When the household dishwasher is used according to the manufacturer's instructions, **washing tableware in a dishwasher usually consumes less energy and water than hand dishwashing.**
- In order to maximize dishwasher efficiency, it is recommended to **initiate the wash cycle once the dishwasher is fully loaded.** Loading the household dishwasher up to the capacity indicated by the manufacturer will contribute to energy and water savings. Information on the correct loading of tableware can be found in the Loading chapter. In case of partial loading, it is recommended to use a dedicated wash options if available (Half load/ Zone Wash/ Multizone), filling up only selected racks. Incorrect loading or overloading of the dishwasher may increase resources usage (such as water, energy and time, as well as increase noise level), reducing cleaning and drying performance.
- Manual pre-rinsing of tableware items leads to increased water and energy consumption and is not recommended.

HYGIENE

To avoid odour and sediment which can be accumulated in the dishwasher **please run a high-temperature program at least once a month.** Use a teaspoon of detergent and run it without loading to clean your appliance.

RESISTANCE TO FROST

If the appliance is placed in surroundings exposed to the risk of frost, it **must be drained completely.** Turn off the water tap, remove the inlet and outlet hoses, and let all the water drain away. **Make sure that the water softener is full of dissolved regeneration salt in the salt container,** to protect the appliance from temperatures of up to -20°C.

If the appliance was stored in frost conditions the appliance must remain at an ambient temperature of min. 5°C for **at least 24 hours** before the first run.

PROGRAMS TABLE

Program	Programs description	Drying phase	Natural-Dry	Available options *)	Duration of wash program (h: min)**)	Water consumption (litres/cycle)	Energy consumption (kWh/cycle)
Eco 50° - Program is suitable to clean normally soiled tableware, that for this use, it is the most efficient program in terms of its combined energy and water consumption, and that it is used to assess compliance with the EU Ecodesign legislation.		✓	✓		3:30	9.5	0.76
Rapid 45° - Program is recommended for limited amount of lightly-soiled dishes with no dried food residues. Does not include the drying phase.		-	✓		0:30 - 0:40	10.0 - 12.0	0.55 - 0.65
Crystals 45° - Program for delicate items, which are more sensitive to high temperatures, for example, glasses and cups.		✓	✓		1:40 - 1:50	12.5 - 16.5	0.95 - 1.20
Auto Intensive 65° - Automatic program for heavily soiled dishes and pans.	Senses the level of soiling on the dishes and adjusts the program accordingly. When the sensor is detecting the soil level an animation appears in the display and the cycle duration is updated.	✓	✓		2:25 - 3:10	15.5 - 24.5	1.30 - 1.70
Auto Mixed 55° - Automatic program for normally soiled dishes with dried food residues.		✓	✓		1:20 - 3:00	7.5 - 19.5	0.75 - 1.20
Auto Fast 50° - Automatic program for normally and lightly soiled dishes. The everyday cycle that ensure optimal cleaning and drying performance in shorter time.		✓	✓		1:00 - 1:50	7.5 - 15.5	0.70 - 1.10
Prewash - Use to refresh crockery planned to be washed later. No detergent is to be used with this program.		-	✓		0:12	4.5	0.10
Self-Clean 65° - Program to be used to perform maintenance of the dishwasher, to be carried out only when the dishwasher is EMPTY using specific detergents designed for dishwasher maintenance.		-	-		1:15	11.0	1.10

ECO program data is measured under laboratory conditions according to European Standard EN 60436:2020.

Note for Test Laboratories: For information on comparative EN testing conditions, please send an email to the following address: dw_test_support@whirlpool.com
Pre-treatment of the dishes is not needed before any of the programs.

*) Not all options can be used simultaneously.

**) Values given for programs other than the program Eco are indicative only. The actual time may vary depending on many factors such as temperature and pressure of the incoming water, room temperature, amount of detergent, quantity and type of load, load balancing, additional selected options and sensor calibration. The sensor calibration can increase program duration by up to 20 min.

OPTIONS AND FUNCTIONS

OPTIONS can be selected/ deselected, after choosing the program, directly by pressing the corresponding button (if available - the indicator lights up) (see CONTROL PANEL). If an option is not compatible with the selected program (see PROGRAMS TABLE), the corresponding LED flashes rapidly 3 times and beeps will sound. The option will not be enabled. An option can change time or water or energy consumption for the program.

HALF LOAD - If there are not many dishes to be washed, HALF LOAD is used to save water, electricity or time, depending on the selected program.
Remember to reduce the amount of detergent.

SILENT - Suitable for night-time operation of the appliance. This option can be used to limit noise emissions during wash phases. It will increase cycle time depending on base cycle selection.

SANI RINSE - This option can be used to sanitize washed dishes. It will increase the final rinse temperature and add an antibacterial wash to the selected program. Ideal to clean crockery and feeding bottles. The dishwasher door must be kept shut for the entire duration of the program in order to guarantee a reduction of germs.

WARNING: the crockery and plates could be extremely hot at the end of the cycle.

POWER CLEAN® - Thanks to the additional power jets this option provides a more intensive and powerful wash in the lower rack, in the specific area. This option is recommended for washing pots and casseroles (please refer to the Power Clean® in loading section).

EXTRA DRY - The higher temperature during the final rinse and the extended drying phase allows for improved drying. The EXTRA DRY option results in the lengthening of the wash cycle.

DELAY - The start of the program may be delayed for a period of time between **0:30** and **24** hours.

1. Select the program and any desired options. Press the DELAY button (repeatedly) to delay the start of the program. Adjustable from 0:30 to 24 hours. Once the 24 hours setting is reached, press the DELAY another time to deactivate the DELAY function.

2. Press the START/Pause button and close the door within 4 sec. The timer will begin counting down.
3. Once this time has elapsed, the indicator light switches off and the program begins automatically.

The DELAY function cannot be set once a program has been started.

TIME ON THE FLOOR - A LED light projected on the floor indicates the time left to the end of the cycle. The light goes off every time the door is opened. The light goes off at the end of a cycle. This feature is active by default, but it is possible to deactivate it in the "SETTINGS MENU".

DESCALE - Alarm - Limescale accumulation was detected on internal components of the appliance. Check if the **Water Hardness Setting** is at the correct value and **salt** is present in the salt container (see **FIRST TIME USE**), then **use a descaling product** (WPro brand is recommended) with **Self-Clean program**. After a successful descaling, the icon will stop being displayed.

If the actions above are not performed, product performance will deteriorate. DESCAL warning will start blinking and «des» alarm will appear on the display. If still no action is taken, the appliance will only allow a certain number of cycles to be started (indicated during «des» alarm display) and then will be **BLOCKED** to prevent component damage, **with only the Self-Clean program available**. Performing a full descaling will unblock the product. In the case of extremely high amounts of limescale, descaling may have to be performed twice to be efficient.

NaturalDry - It is a convection drying system which automatically opens the door during/after the drying phase to ensure exceptional drying performance every day. The door opens at a temperature that is safe to your kitchen furniture, thus door will not be opened when the option of SANI RINSE is on.

As additional steam protection, specially designed protection foil is added together with the dishwasher.

To see how to mount protection foil please refer to the INSTALLATION GUIDE. This feature is active by default, but it is possible to deactivate it in the "SETTINGS MENU".

SENSING - When the sensor is detecting the soil level an animation appears in the display (around 20 min.) and the cycle duration is updated. SENSING is for the level of soiling on the dishes and is present for all cycles (excepting Eco) adjusting the program accordingly.

WATER TAP CLOSED - Alarm - Flashes, when there is no inlet water or water tap is closed.

LOADING THE RACKS

CAPACITY: 15 standard place-settings

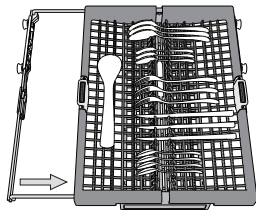
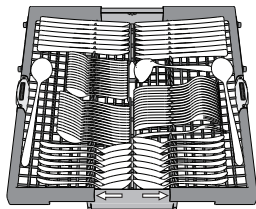
CUTLERY RACK

The third rack was designed to house the cutlery.

Arrange the cutlery as shown in the figure. A separate arrangement of the cutlery makes collection easier after washing and improves washing and drying performance.

Knives and other utensils with sharp edges must be positioned with the blades facing downwards.

The cutlery rack is equipped with two sliding side trays to make the most of the height of the space below and enable the loading of high items into the upper rack.

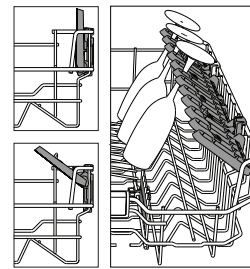


Foldable flaps with adjustable position

The side foldable flaps can be folded or unfolded to optimize the arrangement of crockery inside the rack. Wine glasses can be placed safely in the foldable flaps by inserting the stem of each glass into the corresponding slots.

Depending on the model:

- to unfold the flap there is needed to slide it up and rotate or release it from the snaps and pull it down.
- to fold the flap there is needed to rotate it and slide flap down or pull it up and attach flap to the snaps.

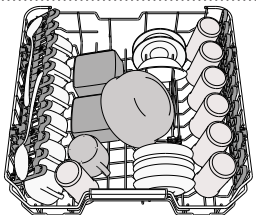


UPPER RACK

Load delicate and light dishes: glasses, cups, saucers, low salad bowls.

The upper rack has tip-up supports which can be used in a vertical position when arranging tea/ dessert saucers or in a lower position to load bowls and food containers.

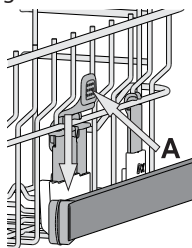
(loading example for the upper rack)



Adjusting the height of the upper rack

The height of the upper rack can be adjusted: a high position to place bulky crockery in the lower basket and low position to make the most of the tip-up supports by creating more space upwards and avoiding collision with the items loaded into the lower rack.

The upper rack is equipped with an **Upper Rack height adjuster** (see figure), without pressing the levers, lift it up by simply holding the rack sides, as soon as the rack is stable in its upper position. To restore to the lower position, press the levers **A** at the sides of the rack and move the basket downwards.



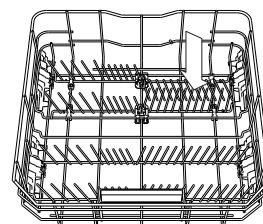
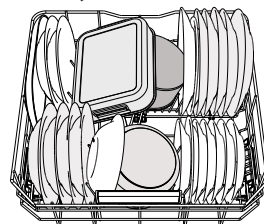
We strongly recommend that you do not adjust the height of the rack when it is loaded.

NEVER raise or lower the basket on one side only.

LOWER RACK

For pots, lids, plates, salad bowls, cutlery etc. Large plates and lids should ideally be placed at the sides to avoid interferences with the spray arm.

The lower rack has tip-up supports which can be used in a vertical position when arranging plates or in a horizontal position (lower) to load pans and salad bowls easily.



(loading example for the lower rack)

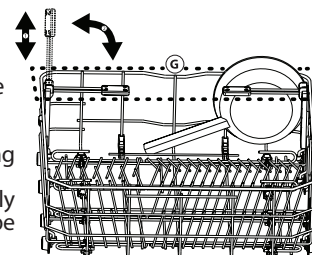
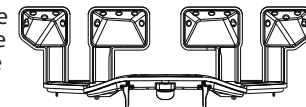
POWER CLEAN®

Power Clean® uses the special water jets in the rear of the cavity to wash more intensively the highly dirty items. The lower rack has a Space Zone, a special pull-out support in the rear of the rack that can be used to support frying pans or baking pans in an upright position, thus taking up less space.

Placing the pots/casseroles faced to the Power Clean® component please activate the **POWER CLEAN®** on the panel.

How to use the Power Clean®:

1. Adjust the Power Clean® area **G** folding down the rear plate holders to load pots.
2. Load pots and casseroles inclined vertically in the Power Clean® area. Pots have to be inclined towards the powerful water jets.



CARE AND MAINTENANCE

CLEANING THE FILTER ASSEMBLY

Regularly clean the filter assembly so that the filters do not clog and that the waste water flows away correctly.

Using the dishwasher with clogged filters or foreign objects inside the filtration system or spray arms may cause unit malfunction resulting in loss of performance, noisy work or higher resources usage.

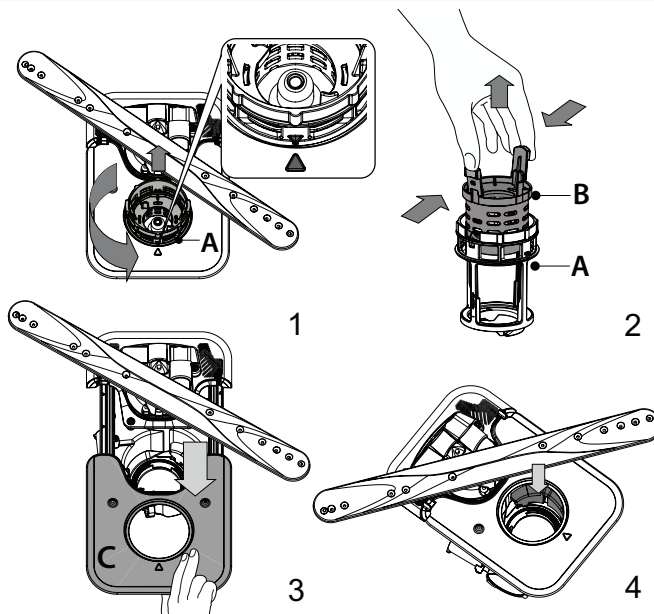
The filter assembly consists of three filters which remove food residues from the washing water and then recirculate the water.

The dishwasher must not be used without filters or if the filter is loose.

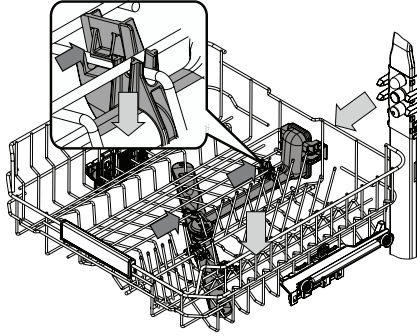
At least once per month or after every 30 cycles, check the filter assembly and if necessary clean it thoroughly under running water, using a non-metallic brush and following the instructions below:

1. Turn the cylindrical filter **A** in an anti-clockwise direction and pull it out (Fig 1). **It is important when reinstalling the filter that the two triangles shown on the zoom meet.**
2. Remove the cup filter **B** by exerting a slight pressure on the side flaps (Fig 2).
3. Slide out the stainless-steel plate filter **C** (Fig 3).
4. In case you find foreign objects (such as broken glass, porcelain, bones, fruit seeds etc.) **please remove them carefully.**
5. Inspect the trap and remove any food residues. **NEVER REMOVE** the wash-cycle pump protection (shown by an arrow) (Fig 4).

After cleaning the filters, replace the filter assembly and fix it in position correctly; this is essential for maintaining the efficient operation of the dishwasher.

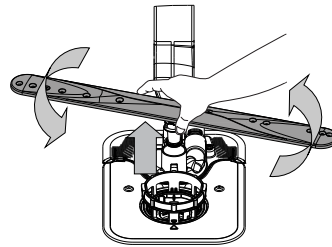


CLEANING THE SPRAY ARMS

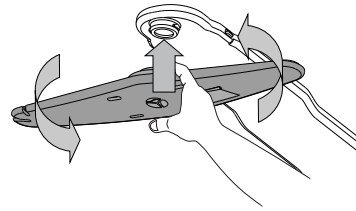


On occasions, food residue may become encrusted onto the spray arms and block the holes used to spray the water. It is therefore recommended that you check the arms from time to time and clean them with a small non-metallic brush.

To remove the upper spray arm you must remove it together with the manifold.



The lower spray arm may be removed by pulling it upwards and rotating it anti-clockwise. Mounting back the spray arm is by pulling it down and rotating it clockwise.



The top spray arm may be removed by pressing it up and then rotating it anti-clockwise. Mounting back the spray arm is by pulling it upwards and rotating it clockwise.

TROUBLESHOOTING

In case your dishwasher doesn't work properly, check if the problem can be solved by going through the following list. For other errors or issues please contact authorized After-sales Service whose contact details can be found in the warranty booklet. Spare parts will be available for a period of either up to 7 or up to 10 years, according to the specific Regulation requirements.

PROBLEMS	POSSIBLE CAUSES	SOLUTIONS
The salt indicator is lit	Salt reservoir is almost empty.	Refill the reservoir with salt (for more information - see <i>FILLING THE SALT RESERVOIR</i>). Check the water hardness setting if necessary (see <i>WATER HARDNESS TABLE</i>).
The salt indicator is blinking	Salt reservoir is empty.	Refill the reservoir with salt as soon as possible. Using the appliance without salt may cause damage to its internal components.
The rinse aid indicator is lit or blinking	Rinse aid dispenser is empty. (After refill the rinse aid indicator may remain lit for a short time).	Refill the dispenser with rinse aid (for more information - see <i>FILLING THE RINSE AID DISPENSER</i>).
Descale indicator is lit or blinking; "dES" alarm is displayed.	Limescale is accumulating on internal components of the appliance.	Descale the appliance immediately using the Self Clean program and a commercially available descaling product (see <i>OPTIONS AND FUNCTIONS</i>). Refill the reservoir with salt. Check the water hardness setting. If the appliance is not descaled, it will stop functioning.
The dishwasher won't start or does not respond to commands.	The appliance has not been plugged in properly.	Insert the plug into the socket.
	Power outage.	For safety reasons, the dishwasher will not restart automatically when power returns. Open dishwasher door, press START/Pause button and close the door within 4 seconds.
	The dishwasher door is not closed. NaturalDry pin is not pulled in.	Vigorously push the door until you hear the "click".
	A cycle is interrupted by door opening for more than 4 seconds.	Press START/Pause and close the door within 4 seconds.
The dishwasher won't drain. Display shows: F7 E3 or F9 E1	The filter is clogged with food residues or limescale	Clean the filter and descale the appliance (see <i>CLEANING THE FILTER ASSEMBLY and DESCALE INSTRUCTION</i>).
	The drain hose is kinked.	Check the drain hose (see <i>INSTALLATION INSTRUCTION</i>).
	The sink drain pipe is blocked.	Clean the sink drain pipe.
The dishwasher makes excessive noise.	Dishes are rattling against each other.	Position the crockery correctly (see <i>LOADING THE RACKS</i>).
	An excessive amount of foam is present.	The detergent has not been measured out correctly or it is not suitable for use in dishwashers (see <i>FILLING THE DETERGENT DISPENSER</i>). Restart the current cycle by switching OFF the dishwasher, then switch it on again, select a new program, press START/Pause and close the door within 4 seconds. Please do not add any detergent.
	Crockery has not been arranged properly.	Arrange the crockery correctly (see <i>LOADING THE RACKS</i>).
	The filter is clogged with food residues or limescale.	Clean the filter assembly (see <i>CARE AND MAINTENANCE</i>).
The dishes are not clean.	Crockery has not been arranged properly.	Arrange the crockery correctly (see <i>LOADING THE RACKS</i>).
	Spray arms cannot rotate freely, being hindered by the dishes.	Arrange the crockery correctly (see <i>LOADING THE RACKS</i>). Check that the upper rack is in the correct position and adjust (lift up) if necessary.
	The wash cycle is too gentle.	Select an appropriate wash cycle (see <i>PROGRAMS TABLE</i>).
	An excessive amount of foam is present.	The detergent has not been measured out correctly or it is not suitable for use in dishwashers (see <i>FILLING THE DETERGENT DISPENSER</i>).
	The cap on the rinse aid compartment has not been closed correctly.	Make sure the cap of the rinse aid dispenser is closed.
	The filter is clogged with food residues or limescale.	Clean the filter and descale the appliance (see <i>CLEANING THE FILTER ASSEMBLY</i>).
The salt reservoir is empty.	Fill the salt reservoir (see <i>FILLING THE SALT RESERVOIR</i>).	

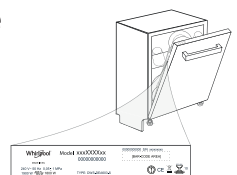
PROBLEMS	POSSIBLE CAUSES	SOLUTIONS
The dishwasher does not fill the water. The display shows: H2O and \emptyset is lit; acoustic alarm sounds.	No water in the water supply or the tap is closed.	Make sure there is water in the water supply and the water tap is open.
	The water inlet hose is kinked.	Check the inlet hose (see <i>INSTALLATION</i>). Open dishwasher door, press START/Pause button and close the door within 4 seconds.
The dishwasher finishes the cycle prematurely. The display shows: F8 E3	The screen in the water inlet hose is clogged; it is necessary to clean it.	Check and clean the screen in the water inlet hose. Open dishwasher door, press START/Pause button and close the door within 4 seconds.
	The filter is clogged with food residues or lime-scale.	Clean the filter and descale the appliance (see <i>CLEANING THE FILTER ASSEMBLY and DESCALE INSTRUCTION</i>).
	Drain hose positioned too low or siphoning into the home sewage system.	Check if the end of the drain hose is placed at the correct height (see <i>INSTALLATION</i>). Check for siphoning into the home sewage system, and install a siphon breaker/air admittance valve if necessary.
	An excessive amount of foam is present.	The detergent has not been measured out correctly or it is not suitable for use in dishwashers (see <i>FILLING THE DETERGENT DISPENSER</i>).
The dishes are not dried well.	Air in the water supply.	Check water supply for leaks or other issues letting air inside.
	Rinse aid is not present or the dosage is too low.	Make sure the rinse aid dispenser is filled (see <i>FILLING THE RINSE AID DISPENSER</i>). Multifunctional tablets only will not provide as good drying effects as the actual use of liquid rinse aid.
	The dishes have been unloaded after the door was opened automatically but before the actual cycle end.	Make sure the cycle has ended before starting to unload the dishes (see <i>DAILY USE</i>). For even better drying results, it is recommended to let the dishes sit inside the dishwasher with the door open for additional 15 minutes after the cycle ends.
	The dishes are sitting too flat.	If you notice puddles of water inside cavities of cups, mugs or bowls, try loading the dishes (especially in the upper rack) providing more inclination to let larger amounts of water drip down before drying starts.
	The selected cycle does not have the drying phase.	Please check in the <i>PROGRAMS TABLE</i> if the selected program is equipped in the drying phase. A cycle without the drying phase may not deliver desired drying efficiency, so it is recommended to change cycle selection for the one that has the drying phase.
Dishes and glasses have blue streaks or bluish tinges.	The dishes are made of non-stick or plastic.	Some water drops remaining on this type of material are normal.
Dishes and glasses are covered with lime-scale or a whitish film.	Rinse aid dosage is excessive.	Adjust the dosage to a lower setting.
	The salt reservoir is empty.	Refill the reservoir with salt as soon as possible. Using the appliance without salt may cause damage to its internal components.
	The water hardness setting is too low.	Increase the setting (see <i>WATER HARDNESS TABLE</i>).
	The cap of the salt reservoir is not properly closed.	Check and close the salt reservoir cap.
The dishwasher shows F8 E5	The rinse aid reservoir is empty or the rinse aid dosage is insufficient.	Refill the dispenser with rinse aid and check the dosage setting (for more information - see <i>FILLING THE RINSE AID DISPENSER</i>).
	Valve is blocked or faulty.	Close the water tap, if possible. Do not switch off the power supply. Call the service.



Policies, standard documentation, ordering of spare parts and additional product information can be found by:

- Using QR code and visiting our website: docs.whirlpool.eu
- Visiting our website: parts-selfservice.whirlpool.com
- Alternatively, **contact our After-sales Service** (See phone number in the warranty booklet). When contacting our After-sales Service, please state the codes provided on your product's identification plate.

The model information can be retrieved using the QR-Code reported in the energy label. The label also includes the model identifier that can be used to consult the portal of the registry at <https://eprel.ec.europa.eu>





БЛАГОДАРИМ ВИ, ЧЕ ЗАКУПИХТЕ ПРОДУКТ НА WHIRLPOOL.
За да получавате по-пълно съдействие, регистрирайте
Вашия уред на: www.whirlpool.eu/register

Преди да използвате уреда, прочетете внимателно указанията за безопасност и инсталиране. Повече информация за вашия продукт ще намерите на уебсайт: docs.whirlpool.eu



След инсталиране не забравяйте да махнете всички транспортни части от съдомиялната.

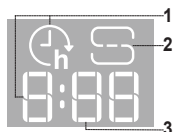
КОНТРОЛЕН ПАНЕЛ



1. Бутон **ВКЛ.-ИЗКЛ. / Нулиране** със светлинен индикатор
2. Бутон за **програма Еко** със светлинен индикатор
3. Бутон за **програма Бърза** със светлинен индикатор/ **Предв. Изплакване** - натиснете за 3 сек
4. Бутон за **програма Кристал** със светлинен индикатор/ **Самочистване** - натиснете за 3 сек
5. Бутони за **Автоматични програми** със светлинни индикатори - **Авт. Интензивн 65° / Авт. Микс 55° / Авт. Бърза 50°**
6. Светлинен индикатор за празен резервоар за **Сол**
7. Светлинен индикатор за празен резервоар за **Препарат За Изплакване**

8. **Дисплей**
9. Индикатор за **номер на програма и оставащо време**
10. Светлинен индикатор за **Кран На Водата Затворен**
11. Светлинен индикатор за **ОТСТРАНЯВАНЕ НА КОТЛЕН КАМЪК**
12. Бутони за **Допълнителни опции** с индикаторни светлини - **Половин зареждане / Безшумно / Дезинф. изплакване**
13. Бутон за **опция Power Clean®** със светлинен индикатор
14. Бутон за **опция Допълнително Изсушаване** със светлинен индикатор / **Настройките** - натиснете за 3 сек
15. Бутон за **опция Отлагане** със светлинен индикатор
16. Бутон **СТАРТ/Пауза** със светлинен индикатор

ДИСПЛЕЙ НА ПОДА



1. **Индикатор за времето на закъснение на пода** - индикатор за оставащото време до началото на цикъла, когато е зададена опция Забавяне
2. **Светлинен индикатор на пода за празен резервоар за сол**
3. **Индикатор за оставащо време на пода** - индикатор за оставащото време до края на цикъла

УПОТРЕБА ЗА ПРЪВ ПЪТ

МЕНЮ С НАСТРОЙКИ

1. Включете уреда, като натиснете бутона **ВКЛ.-ИЗКЛ.**
2. Задръжте бутона **Настройките** (Допълнително Изсушаване $\{\{\{+\}$) за 3 секунди, докато чуete звуков сигнал и на дисплея се покаже „**SET**“
3. След една секунда ще се покаже първата налична настройка (буква „**h**“).
4. Натиснете **Автоматични програми** (A) / **Допълнителни опции** (E), за да превъртите през списъка с налични настройки (вижте таблицата по-долу), след това натиснете **СТАРТ/Пауза** (P), за да видите и промените стойността на текущо избраната настройка.
5. Натиснете **Автоматични програми** (A) / **Допълнителни опции** (E), за да промените стойността, след това натиснете **СТАРТ/Пауза** (P), за да запазите новата стойност.
6. За да промените друга настройка, повторете точки 2 и 5.
7. Натиснете **ВКЛ.-ИЗКЛ.** или изчакайте 30 секунди, за да излезете от менюто.

БУКВА	НАСТРОЙКИ	СТОЙНОСТИ (По подразбиране - с удебелен шрифт)
h	Ниво на Твърдост на Водата (вж. „НАСТРОЙВАНЕ НА ТЪВРДОСТ НА ВОДАТА“ и „ТАБЛИЦА ЗА ТЪВРДОСТ НА ВОДАТА“)	1 2 3 4 5
h	Ниво на Изплаквач Препарат (вж. „РЕГУЛИРАНЕ НА ДОЗИРАНЕТО НА ПРЕПАРАТА ЗА ИЗПЛАКВАНЕ“)	0 1 2 3 4 5
h	NaturalDry (вж. „ОПЦИИ И ФУНКЦИИ“) "1" = Вкл., "0" = Изкл.	1 0
h	Подсветка с времетраене (вж. „ОПЦИИ И ФУНКЦИИ“) "1" = Вкл., "0" = Изкл.	1 0
h	Звук "1" = Вкл., "0" = Изкл.	1 0
h	Фабрични Настройки Натиснете СТАРТ/Пауза , за да възстановите фабричните настройки по подразбиране на всички стойности на настройките, включени в менюто с настройки.	-

ЗАРЕЖДАНЕ НА РЕЗЕРВОАРА ЗА СОЛ

Използването на сол предотвратява образуването на КОТЛЕН КАМЪК по съдове и функционалните компоненти на машината. Резервоарът за сол се намира в долната част на съдомиялната машина (под долната кошница от лявата страна).

- Задължително е **резервоарът за сол никога да не остава празен.**
- Важно е да зададете твърдостта на водата.
- Когато светлинният индикатор **ЗАРЕЖДАНЕ НА СОЛ** на контролния панел свети, трябва да добавите сол.



1. Отстранете долната кошница и развийте капачката на резервоара (обратно на часовниковата стрелка).
2. Поставете фунията (вж. фигурата) и напълнете резервоара за сол до ръба (около 0,5 kg); Не е необичайно да изтече малко вода.
3. **Само първия път правите това: напълнете резервоара за сол с вода.**

4. Отстранете фунията и забършете остатъците от сол от отвора. Уверете се, че капачката е завита здраво, така че по време на програмата за миене препаратът да не може да влезе в резервоара (това може да повреди неопаративом омекотителя за вода).

Пуснете програма всеки път, веднага след като завършите презареждането на резервоара за сол, за да избегнете корозия.

Настройване на твърдост на водата

За да може омекотителят за вода да работи идеално, е особено важно настройката за твърдостта на водата да се базира на реалната твърдост на водата в дома ви. Можете да получите тази информация от местния си доставчик на вода. Фабричната настройка е "3". Вж. „ТАБЛИЦА ЗА ТЪВРДОСТ НА ВОДАТА“. За да промените, следвайте инструкциите в раздел „МЕНЮ С НАСТРОЙКИ“.

Таблица за Твърдост на Водата

Ниво	°dH Германски градуси	°fH Френски градуси	°Clark Английски градуса
1 (Мека)	0 - 6	0 - 10	0 - 7
2 (Умерена)	7 - 11	11 - 20	8 - 14
3 (Средна)	12 - 16	21 - 29	15 - 20
4 (Твърда)	17 - 34	30 - 60	21 - 42
5 (Много твърда)	35 - 50	61 - 90	43 - 62

Използвайте само сол, която е предназначена специално за съдомиялни машини. След като поставите сол в машината, светлинният индикатор **ЗАРЕЖДАНЕ НА СОЛ** се изключва.

Ако контейнерът за сол не бъде напълнен, възможно е в резултат на натрупване на варовик да се повреди омекотителят за вода и нагревателният елемент. Използването на сол е препоръчително с всякакъв тип миелен препарат.

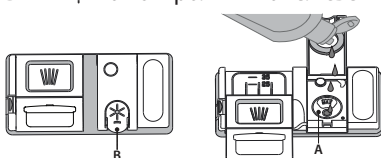
СИСТЕМА ЗА ОМЕКОТЯВАНЕ НА ВОДАТА

Омекотителят за вода намалява автоматично твърдостта на водата, като по този начин предотвратява натрупването на варовик по нагревателя и повишава ефективността при почистване. **Системата се регенерира сама със сол, затова е необходимо да допълвате контейнера със сол, когато се изпразни.** Честотата на регенериране зависи от настройката на нивото на твърдост на водата - регенерирането се извършва веднъж на всеки 4-6 цикъла Еко с ниво на твърдост на водата, зададено на 3. Процесът на регенерация се случва в началото на програмата с допълнителна прясна вода.

- Едно регенериране използва: ~3 литра вода;
- Към цикъла се добавят 5 допълнителни минути;
- Консумират се по-малко от 0,005 kWh енергия.

ЗАРЕЖДАНЕ НА ДОЗАТОРА ЗА ПОМОЩНО СРЕДСТВО ЗА ИЗПЛАКВАНЕ

Помощното средство за изплакване улеснява СУШЕНЕТО. Дозаторът за помощното средство за изплакване **A** трябва да се пълни, когато светлинният индикатор **ЗАРЕЖДАНЕ НА ПОМОЩНО СРЕДСТВО ЗА ИЗПЛАКВАНЕ** на контролния панел свети.



1. Отворете дозатора **B**, като натиснете и дръпнете нагоре издатината на капака.
2. Внимателно добавете помощното средство за изплакване до максималната (110 ml) референтна маркировка на мястото за пълнене - избягвайте да разливате.

Ако това се случи, почистете разливането незабавно със суха кърпа

3. Натиснете капака надолу, докато чуete щракване, за да го затворите.

НИКОГА не наливайте помощното средство за изплакване направо във ваничката.

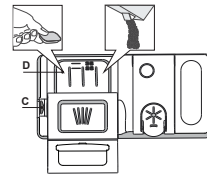
Регулиране на дозирането на помощното средство за изплакване

Ако не сте напълно доволни от резултатите от сушенето, можете да регулирате използваното количество помощно средство за изплакване. За да промените, следвайте инструкциите в раздел „МЕНЮ С НАСТРОЙКИ“. Ако нивото на помощното средство за изплакване е зададено на НУЛА, няма да се подава помощно средство за изплакване. Светлинният индикатор **НИСКО НИВО НА ПОМОЩНОТО СРЕДСТВО ЗА ИЗПЛАКВАНЕ** няма да светне, ако помощното средство се изчерпи. Според модела на съдомиялната машина могат да се задават максимум 6 нива.

- Ако видите синкави петна по съдовете, задайте нисък номер (0-3).
- Ако по съдовете има капки вода или следи от котлен камък, задайте висок номер (4-5).

ЗАРЕЖДАНЕ НА ДОЗАТОРА ЗА МИЯЛЕН ПРЕПАРАТ

За да отворите дозатора за препарат, използвайте приспособление **C**. Налейте препарат само в сухия дозатор **D**. Поставете количество препарат за предварително измиване направо във ваничката.



1. При измерване на препарат пратете справка със споменатата информация по-горе, за да добавите подходящо количество. в дозатора **D** има индикатори, за да помогнат за дозирането на миялния препарат.
2. Отстранете остатъците от препарат от ръбовете на дозатора и затворете капака, докато щракне.
3. Затворете капака на дозатора за препарат, като го дръпнете нагоре, докато приспособлението за затваряне се закрепва на място.

Дозаторът за препарат се отваря автоматично в правилния момент според програмата.

Използването на миялен препарат, който не е предназначен за съдомиялни машини, може да причини неизправност или повреда на уреда.

ВСЕКИДНЕВНА УПОТРЕБА

1. ПРОВЕРКА НА ВОДНАТА ВРЪЗКА

Уверете се, че съдомиялната машина е свързана към водоподаването и кранчето е отворено.

2. ВКЛЮЧЕТЕ СЪДОМИЯЛНАТА МАШИНА

Отворете вратата и натиснете бутона **ВКЛ./ИЗКЛ.**

3. ЗАРЕДЕТЕ КОШНИЦИТЕ (вж. ЗАРЕЖДАНЕ НА КОШНИЦИТЕ)

4. ЗАРЕЖДАНЕ НА ДОЗАТОРА ЗА МИЯЛЕН ПРЕПАРАТ

5. ИЗБЕРЕТЕ ПРОГРАМАТА И ПЕРСОНАЛИЗИРАЙТЕ ПРОГРАМАТА
Изберете най-подходящата програма според вида на съдовете и нивото на замърсяване (вж. ОПИСАНИЕ НА ПРОГРАМИТЕ) чрез натискане на бутона **ПРОГРАМА**.

Изберете желаните опции (вж. ОПЦИИ И ФУНКЦИИ). Не всички опции са съвместими с всички програми.

6. СТАРТ

Стартирайте цикъл на измиване, като натиснете бутона **СТАРТ/Пауза** (светодиодът светва) и затворите вратата в рамките на 4 секунди. Когато програмата стартира, се чува еднократен сигнал. Ако вратата не бъде затворена в рамките на 4 секунди, ще се възпроизведе звукова аларма. В този случай отворете вратата, натиснете бутона **СТАРТ/Пауза** и отново затворете вратата в рамките на 4 сек.

7. КРАЯТ НА ПРОГРАМАТА

Краят на цикъла на измиване се обозначава с кратки звукови сигнали, а на дисплея се изписва **END** (КРАЯТ). Отворете вратата и изключете уреда, като натиснете бутона **ВКЛ./ИЗКЛ.** Изчакайте няколко минути, преди да премахнете съдовете, за да избегнете изгаряния. Извадете съдовете, като започнете от долната кошница.

МОДИФИЦИРАНЕ НА РАБОТЕЩА ПРОГРАМА

Ако е избрана грешна програма, можете да я промените, при условие че тя е започнала току-що. **НУЛИРАНЕ** на машината: натиснете и задръжте бутона **ВКЛ./ИЗКЛ.** за повече от 3 сек и машината се изключва. **Таблото ще покаже "0:01"**. Затворете вратата и изчакайте, докато цикълът на източване приключи (около 1 минута). Отворете вратата и включете машината отново с помощта на бутона **ВКЛ./ИЗКЛ.** и изберете нов цикъл на измиване и всякакви желани опции. Стартирайте цикъла с натискане на бутон **СТАРТ/Пауза** и затваряне на вратата до 4 секунди.

ДОБАВЯНЕ НА СЪДОВЕ

Без да изключвате машината, първо отворете леко вратата, за да избегнете изпръскване на вода (**СТАРТ/Пауза** започва да мига) (**Внимание! Гореща пара!**) и поставете съдовете във вътрешността на съдомиялната машина. Натиснете бутона **СТАРТ/Пауза** и затворете вратата в рамките на 4 сек, цикълът се възобновява от момента, в който е бил прекъснат.

СЛУЧАЙНИ ПРЕКЪСВАНИЯ

Ако вратата бъде отворена по време на програма за миене или при прекъсване на захранването, програмата спира. **САМО АКО НАТИСНЕТЕ** бутона **СТАРТ/Пауза** и затворите вратата в рамките на 4 сек, цикълът се възобновява от момента, в който е бил прекъснат.

ПОЛЕЗНИ СЪВЕТИ

СЪВЕТИ

Преди да зареждате кошниците, отстранете всички остатъци от храна от съдовете и изпразнете чашите. **Не е нужно да изплаквате предварително с течаща вода.**

Подредете съдовете така, че да се задръжат добре на място и да не се обрънат; и подредете съдовете с отворите надолу и разположете вдлъбнатите/изпъкналите части така, че водата да може да достигне всяка повърхност и да тече свободно.

Предупреждение: капациите, дръжките, подносите и тиганите за пържене трябва да не пречат на въртенето на разпръскващите рамене.

Поставете дребните артикули в кошницата за прибори. Много замърсените съдове и тенджери следва да се поставят в долната кошница, тъй като в този сектор водните струи са по-силни и позволяват по-добра ефективност при миене. След като заредите уреда, проверете дали разпръскващите рамене могат да се въртят свободно.

НЕПОДХОДЯЩИ СЪДОВЕ

- Дървени съдове и прибори.
 - Деликатни чаши с декорации, артистични ръчно изработени съдове и антики. Декорациите им не са устойчиви.
 - Части от синтетични материали, които не са устойчиви на високи температури.
 - Медни и калаени съдове.
 - Замърсени с пепел, восък, грес или мастило съдове.
- Цветовете на стъклени декорации и частите от алуминий/сребро могат да се променят и да избледнеят в процеса на миене. Някои видове стъкло (напр. кристалните предмети) могат да станат непрозрачни след няколко измивания.

ПОВРЕДИ ПО ЧАШИТЕ И СЪДОВЕТЕ

- Използвайте само стъклени и порцеланови съдове, за които производителят гарантира, че са подходящи за съдомиялна машина.
- Използвайте деликатен почистващ препарат, подходящ за Вашите съдове
- Изваждайте чашите и приборите от съдомиялната машина веднага след края на програмата за миене.

СЪВЕТИ ЗА ПЕСТЕНЕ НА ЕНЕРГИЯ

• Когато домашната съдомиялна машина се използва съгласно инструкциите на производителя, **измиването на посуда в съдомиялна обикновено консумира ПО-МАЛКО ЕНЕРГИЯ И ВОДА в сравнение с миенето на ръка.**

• За да максимизирате ефективността на съдомиялната машина, **препоръчително е да стартирате цикъл на миене, след като машината е заредена докрай.** Зареждането на домашната съдомиялна машина до капацитета, посочен от производителя, ще спомогне да спестите енергия и вода. Информация относно правилното зареждане на посудата можете да намерите в глава **ЗАРЕЖДАНЕ НА КОШНИЦИТЕ.**

При частично зареждане е препоръчително да използвате специално предназначени опции (Half load/ Zone Wash/ Multizone), като напълните само избраните кошници. Неправилното зареждане или препълване на съдомиялната машина може да увеличи потреблението на ресурси (като вода, енергия и време, както и да увеличи нивото на шум), което ще намали ефективността на измиване и сушене.

• Предварителното изплакване на посудата на ръка води до увеличено потребление на вода и енергия, затова не е препоръчително.

ХИГИЕНА

За да избегнете миризми и утайки, които могат да се натрупат в съдомиялната машина, **моля, пускайте програма при висока температура най-малко веднъж месечно.** Използвайте супена лъжица препарат и пуснете уреда без да зареждате съдове, за да го почистите.

УСТОЙЧИВОСТ НА МРАЗ

Ако уредът е поставен на място, изложено на риск от замръзване, **той трябва да се източи напълно.** Затворете крана за вода, отстранете входящия и изходящия маркуч и оставете цялата вода да изтече. **Уверете се, че омокителят за вода е пълен с разтворена регенерираща сол в контейнера за сол,** за да предпазите уреда от температури до -20°C. Ако уредът е бил съхраняван при условия на замръзване, уредът трябва да остане при температура на околната среда мин. 5°C за **поне 24 часа** преди първото пускане.

ТАБЛИЦА НА ПРОГРАМИТЕ

Програма	Описание на програмите	Фаза на сушене	NaturalDry	Налични опции *)	Времетраене на програмата за миене (ч.МИН)**)	Потребление на вода (литра/ програма)	Потребление на енергия (kWh/ програма)
Есо	Еко 50° - Програмата е подходяща за почистване на нормално замърсена домакинска посуда, като използвана по този начин, програмата е най-ефективна по отношение на комбинираното потребление на енергия и вода и отговаря на законодателството на ЕС по отношение на екологичния дизайн.	✓	✓		3:30	9,5	0,76
	Бърза 45° - Програмата се препоръчва за ограничено количество леко замърсени съдове без засъхнали остатъци от храна. Не включва фаза на сушене.	-	✓		0:30 - 0:40	10,0 - 12,0	0,55 - 0,65
	Кристал 45° - Програма за фини изделия, които са чувствителни към високи температури, например стъклени и порцеланови чаши.	✓	✓		1:40 - 1:50	12,5 - 16,5	0,95 - 1,20
	Авт. Интензивн 65° - Автоматична програма за силно замърсени съдове и тигани.	✓	✓		2:25 - 3:10	15,5 - 24,5	1,30 - 1,70
	Авт. Микс 55° - Автоматична програма за нормално замърсени съдове с остатъци от храна.	✓	✓		1:20 - 3:00	7,5 - 19,5	0,75 - 1,20
	Авт. Бърза 50° - Автоматична програма за нормално и леко замърсени съдове. Всекидневна програма, която осигурява оптимална ефективност на почистването и изсушаването за по-кратко време.	✓	✓		1:00 - 1:50	7,5 - 15,5	0,70 - 1,10
	Предв. Изплакване - Използва се за освежаване на съдовете, които ще бъдат измити по-късно. За тази програма не се използва препарат.	-	✓		0:12	4,5	0,10
	Самопочистване 65° - Програмата, която се използва за извършване на поддръжка на съдомиялната машина, следва да се изпълнява само когато машината е ПРАЗНА и с препарати, специално предназначени за поддръжка на съдомиялна машина.	-	-		1:15	11,0	1,10

Данните за програмата ЕКО са измерени в лабораторни условия съгласно Европейски стандарт EN 60436:2020.

Бележи за тестовите лаборатории: за информация относно сравненията с EN тестови условия изпратете имейл на следния адрес: dw_test_support@whirlpool.com

Не е необходимо предварително третиране на съдовете преди пускане на която и да било програма.

*) Не всички опции могат да се използват едновременно.

**) Стойностите, дадени за програмите, с изключение на програмата Есо, са само ориентировъчни. Реалното време може да се различава в зависимост от множество фактори, като температурата и налягането на подаваната вода, температурата в помещението, количеството препарат, количеството и вида на зареждането, балансирането на зареждането, допълнителните избрани опции и калибрирането на сензора. Калибрирането на сензора може да увеличи продължителността на програмата с до 20 мин.

ОПЦИИ И ФУНКЦИИ

ОПЦИИ могат да се избират/отменят след избор на програма директно чрез натискане на съответния бутон (ако има такъв - индикаторът светва) (вж. КОНТРОЛЕН ПАНЕЛ). Ако дадена опция не е съвместима с избраната програма (вж. ТАБЛИЦА НА ПРОГРАМИТЕ), съответният светодиод мига бързо 3 пъти и се чуват звукови сигнали. Опцията не се активира. Една опция може да промени времето или консумацията на вода или енергия за програмата.

POWER CLEAN® - Благодарение на допълнителните мощни водни струи, тази опция осигурява по-интензивно и по-силно измиване в специфичната зона в долната кошница. Тази опция се препоръчва за измиване на тенджерки и огнеупорни съдове. (моля, направете справка с раздела за зареждане на Power Clean®).

1/2 ПОЛОВИН ЗАРЕЖДАНЕ - ако няма много съдове за миене, за икономия на вода, ел. енергия и време се използва ПОЛОВИН ЗАРЕЖДАНЕ. **Не забравяйте да намалите количеството миеш препарат.**

+++ ДОПЪЛНИТЕЛНО ИЗСУШАВАНЕ - По-високата температура по време на последното изплакване и удължената фаза на сушене позволява подобро сушене. Опцията ДОПЪЛНИТЕЛНО ИЗСУШАВАНЕ удължава програмата за миене.

★ БЕЗШУМНА - Подходяща за пускане на уреда през нощта. Тази опция може да се използва за ограничаване на емисиите на шум по време на фазите на пране. Това ще увеличи времето на цикъла в зависимост от избора на основен цикъл.

☞ ИЗПЛАКВАНЕ ЗА ДЕЗИНФЕКЦИЯ - Тази опция може да се използва за дезинфекциране на измитите съдове.

Тя ще увеличи температурата на последното изплакване и ще добави антибактериално измиване към избраната програма. Идеална за почистване на съдове и бутилки за хранене. Вратичката на съдомиялната машина трябва да се държи затворена по време на цялата програма, за да се гарантира намаляване на бактериите.

ПРЕДУПРЕЖДЕНИЕ: съдовете е възможно да са много горещи в края на програмата.

⌚ ОТЛАГАНЕ - Стартирането на програмата може да се отложи за период от време между **0:30** и **24** часа.

1. Изберете програмата и желаните опции. Натиснете (неколкократно) бутона ОТЛАГАНЕ, за да отложите старта на програмата. Може да се настройва от 0:30 до 24 часа. След достигане на настройката за 24 часа натиснете бутона ОТЛАГАНЕ още веднъж, за да деактивирате функцията ОТЛАГАНЕ.

2. Натиснете бутона СТАРТ/Пауза и затворете вратата в рамките на 4 сек. Таймерът ще започне отброяването.

3. След изтичане на времето светлинният индикатор изгасва и програмата започва автоматично.

Функцията ОТЛАГАНЕ не може да се зададе след стартиране на програмата.

☒ КРАН НА ВОДАТА ЗАТВОРЕН - Аларма - Премигва, когато не се подава вода или кранът на водата е затворен.

ПОДСВЕТКА С ВРЕМЕТРАЕНЕ - LED светлина, проектирана на пода, показва оставащото време до края на цикъла. Лампата изгасва при всяко отваряне на вратата. Лампата изгасва в края на всеки цикъл. Тази функция е активна по подразбиране, но е възможно да се изключи от МЕНЮ НАСТРОЙКИ.

☒ ОТСТРАНЯВАНЕ НА КОТЛЕН КАМЪК - Аларма - Открито е натрупване на котлен камък по вътрешните компоненти на уреда. Проверете дали **Настройката За Твърдост На Водата** е на правилната стойност и дали има сол в контейнера за сол (вж. УПОТРЕБА ЗА ПРЪВ ПЪТ), след това **използвайте продукт за отстраняване на котлен камък** (препоръчва се марка WPro) с **програма Самопочистване**. След успешно отстраняване на котления камък иконата ще спре да се показва. Ако действията по-горе не бъдат извършени, работата на продукта ще се влоши. Предупреждението ОТСТРАНЯВАНЕ НА КОТЛЕН КАМЪК ще започне да мига и на дисплея ще се появи аларма «dES». Ако все още не се предприемат действия, уредът ще позволи само определен брой цикли да бъдат стартирани (посочено по време на показването на алармата «dES») и след това ще бъде **БЛОКИРАН**, за да се предотврати повреда на компонента, **като е налична само програма Самопочистване**. Извършването на пълно отстраняване на котления камък ще деблокира продукта. В случай на изключително големи количества варовик може да се наложи премахването на котления камък да се извърши два пъти, за да бъде ефективно.

NaturalDry - Това е система за конвекционно сушене, която автоматично отваря вратата по време на/след фазата на сушене, за да осигури изключителна ефективност на сушене всеки ден. Вратичката се отваря при температура, която е безопасна за вашите кухненски мебели, следователно тя няма да се отвори, когато е включена опцията ИЗПЛАКВАНЕ ЗА ДЕЗИНФЕКЦИЯ.

Като допълнителна защита от пара, заедно със съдомиялната се добавя специално разработено защитно фолио. За да видите как се монтира предпазното фолио, вижте РЪКОВОДСТВОТО ЗА МОНТАЖ. Тази функция е активна по подразбиране, но е възможно да я деактивирате от меню „МЕНЮ С НАСТРОЙКИ“.

👁️ ЧУВСТ - Когато сензорът разпознава нивото на замърсяване, на дисплея се появява анимация (около 20 минути) и продължителността на цикъла се актуализира. Отчитането е за нивото на замърсяване на съдовете и е налице за всички цикли (с изключение на Eco), като съответно се коригира програмата.

ЗАРЕЖДАНЕ НА КОШНИЦИТЕ

ВМЕСТИМОСТ: 15 стандартни комплекта за хранене

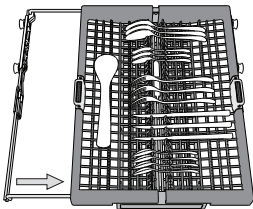
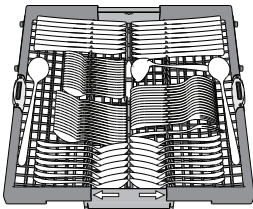
КОШНИЦА ЗА ПРИБОРИ

Третата кошница е проектирана за поставяне на прибори. Подредете приборите, както е показано на фигурата.

Отделното подреждане на приборите прави събирането по-лесно след миене и подобрява ефективността на миенето и сушенето.

Ножовете и другите прибори с остри ръбове трябва да се поставят с остриетата надолу.

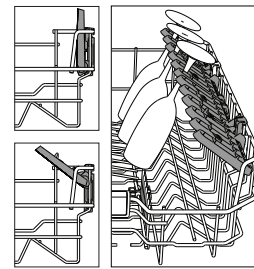
Кошницата за прибори е оборудвана с две плъзгачи се странични тавички за максимално използване на височината на пространството отдолу и за да могат да се подреждат високи изделия в горната кошница.



Сгъваеми капаци с регулируема позиция

Страничните капаци могат да се сгъват или разгъват, за да се оптимизира подреждането на съдовете в кошницата. Чашите за вино могат да се поставят безопасно в сгъваемите капаци, като столчето на всяка чаша се вмъкне в съответния процеп. В зависимост от модела:

- за да разгънете капациите, е необходимо да ги плъзнете нагоре и да ги завъртите или да ги освободите от закопчалките им и да ги издърпате надолу.
- за да сгънете капациите, е необходимо да ги завъртите и да плъзнете капациите надолу или да ги дръпнете нагоре и да ги закачите за закопчалките.

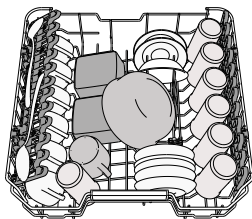


ГОРНА КОШНИЦА

Заредете деликатните и леки съдове: стъклени и порцеланови чаши, чинийки, ниски купи за салата.

Горната кошница има разгъващи се опори, които могат да се използват във вертикално положение при подреждане на чинийки за чай/десерт или в по-ниска позиция за поставяне на купи и съдове за храна.

(пример за зареждане на горната кошница)

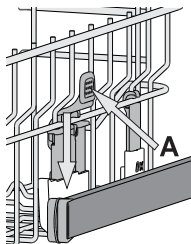


Регулиране на височината на горната кошница

Височината на горната кошница може да се регулира: висока позиция за поставяне на обемни съдове в долната кошница и ниска позиция за пълноценно използване на наклонящите се опори, като се създава повече място нагоре и се избягва сблъскване с изделията в долната кошница.

Горната кошница е оборудвана с **Регулатор на височината на горната кошница** (вж. фигурата), без да натискате лостовете, повдигнете нагоре, като просто хванете кошницата отстрани веднага след като кошницата стане стабилна в по-високата си позиция. За да възстановите по-ниската позиция, натиснете лостовете **A** отстрани на кошницата и преместете кошницата надолу.

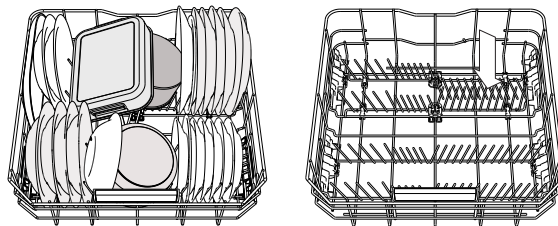
Силно препоръчваме да не регулирате височината на кошницата, когато е заредена. НИКОГА не повдигайте или спускайте кошницата само от едната страна.



ДОЛНА КОШНИЦА

За тенджери, капаци, чинии, купи за салата и т.н. Едрите чинии и капаци следва в идеалния случай да се поставят отстрани, за да не възпрепятстват разпръскващото рамо.

Долната кошница има разгъващи се опори, които могат да се използват във вертикално положение при подреждане на чинии или в хоризонтална позиция за лесно поставяне на тави и купи за салата.



(пример за зареждане на долната кошница)

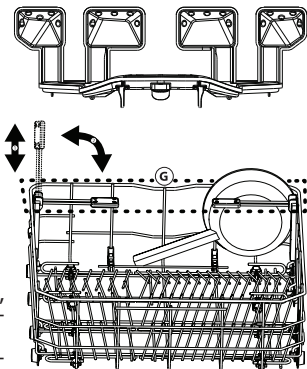
POWER CLEAN® (ПАУЪР КЛИЙН)

Power Clean® използва специални водни струи отзад на кухнята за по-интензивно измиване на високи замърсени съдове. Долната кошница има Свободна зона, специална издърпваща се опора в задния край на кошницата, която може да се използва за опора за тигани или тави в изправено положение, така че да заемат по-малко място.

Поставете тенджерите/огнеупорните съдове насочени към компонента Пауър Клийн и активирайте **POWER CLEAN®** на панела.

Как да използвате Power Clean®:

1. Регулирайте зоната на Power Clean® (**G**), като подгънете задните поставки за чинии, за да заредите с тенджери.
2. Зареждайте тенджери и касероли, наклонени вертикално, в зоната на Power Clean®. Тенджерите трябва да са наклонени към мощните водни струи.



ГРИЖИ И ПОДДРЪЖКА

ПОЧИСТВАНЕ НА ФИЛТЪРНИЯ ВЪЗЕЛ

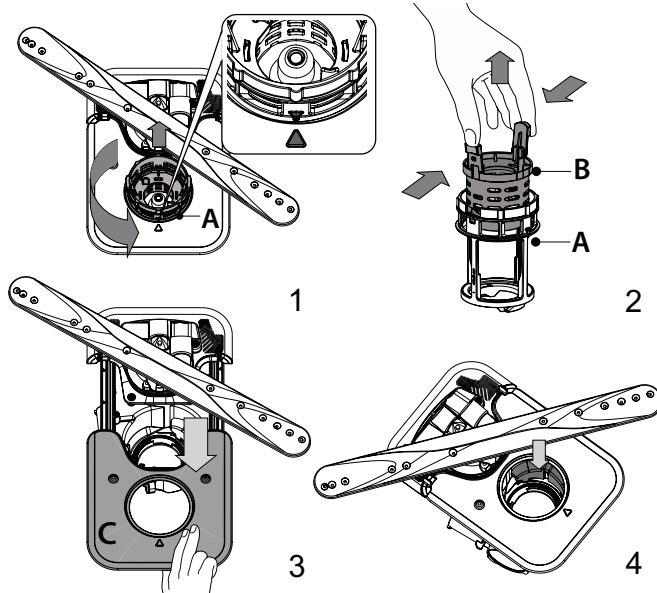
Почиствайте филтърния възел редовно, така че филтрите да не се запушват и отпадъчната вода да се източва правилно. Използването на съдомиялната машина със запушени филтри или външни предмети във филтриращата система или пръскащите рамена, може да влоши работата на уреда и да доведе до намаляване на работните характеристики, шум по време на работа или повишено потребление на ресурси. Филтърният възел се състои от три филтъра, които премахват остатъците от храна от водата от измиване и след това рециркулират водата: за постигане на най-добри резултати от измиването е необходимо да поддържате филтрите чисти.

Съдомиялната машина не трябва да се използва без филтри или ако филтърът е разхлабен.

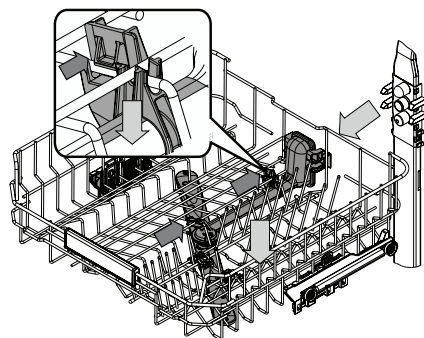
Най-малко веднъж месечно или на всеки 30 цикъла проверявайте филтърния блок и при необходимост го почистете старателно с течаща вода, като използвате неметална четка и следвайте инструкциите по-долу:

1. Завъртете цилиндричния филтър **A** обратно на часовниковата стрелка и го издърпайте (Фиг. 1). **Важно е, когато монтирате повторно филтъра, двата триъгълника, показани на увеличението, да се срещнат.**
2. Свалете филтъра чашка **B**, като приложите лек натиск върху страничните капаци (Фиг. 2).
3. Плъзнете навън филтъра-пластина от неръждаема стомана **C** (Фиг. 3).
4. В случай че намерите външни предмети (като счупени стъкла, порцелан, кости, семена на плодове и др.), **внимателно ги отстранете.**
5. Проверете уловителя и премахнете остатъците от храна. **НИКОГА НЕ МАХАЙТЕ** предпазителя на помпата за цикъла на измиване (показано с със стрелка) (Фиг. 4)

След почистване на филтрите поставете филтърния блок отново и го закрепете правилно на място; това е от ключово значение за поддържане на ефективната работа на съдомиялната машина.

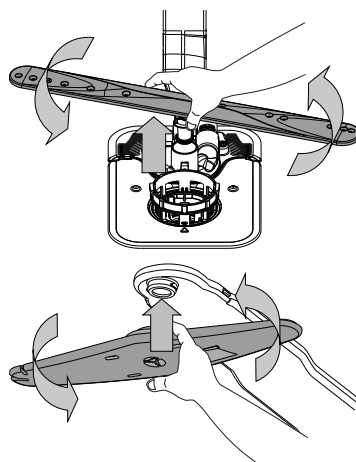


ПОЧИСТВАНЕ НА РАЗПРЪСКВАЩИТЕ РАМЕНЕ



Понякога остатъците от храна е възможно да засъхнат върху разпръскващите рамене и да запушат отворите за разпръскване на вода. Следователно се препоръчва да проверявате раменете от време на време и да ги почиствате с малка неметална четка.

За да извадите горната пръскалка, трябва да я извадите заедно с колектора.



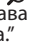
Можете да свалите долното разпръскващо рамо, като го издърпате нагоре и го завъртите обратно на часовниковата стрелка. Монтирането обратно на разпръскващото рамо става чрез издърпване надолу и въртене по часовниковата стрелка.

Горното разпръскващо рамо може да бъде отстранено, като го натиснете нагоре и след това го завъртите обратно на часовниковата стрелка. Монтирането обратно на разпръскващото рамо става чрез издърпване нагоре и завъртане по часовниковата стрелка.

ОТСТРАНЯВАНЕ НА НЕИЗПРАВНОСТИ

В случай че съдомиялната машина не работи нормално, проверете дали проблемът може да бъде решен, като прегледате следния списък. За други грешки или неизправности се свържете с отдела за следпродажбено обслужване, като данните за контакт можете да намерите в книжката за гаранцията. Резервните части ще бъдат налични за период от 7 или до 10 години, в съответствие със специфичните изисквания на регламента

ПРОБЛЕМИ	ВЪЗМОЖНИ ПРИЧИНИ	РЕШЕНИЯ
Индикаторът за сол свети	Резервоарът за сол е почти празен.	Напълнете отново резервоара със сол (вж. ЗАРЕЖДАНЕ НА РЕЗЕРВОАРА ЗА СОЛ). Проверете настройката за твърдост на водата, ако е необходимо - вжте ТАБЛИЦА ЗА ТВЪРДОСТ НА ВОДАТА.
Индикаторът за сол мига.	Резервоарът за сол е празен.	Напълнете отново резервоара със сол възможно най-скоро. Използването на уреда без сол може да причини повреда на вътрешните му компоненти.
Индикаторът за препарат за изплакване свети или мига.	Дозаторът на препарата за изплакване е празен. (След допълване на препарат за изплакване индикаторът може да остане да свети още малко).	Напълнете отново дозатора на препарата за изплакване (за повече информация – вж. ЗАРЕЖДАНЕ НА ДОЗАТОРА ЗА ПОМОЩНО СРЕДСТВО ЗА ИЗПЛАКВАНЕ).
Индикаторът за отстраняване на котлен камък свети или мига; Показва се аварийна сигнализация „dES“.	Котленият камък се натрупва върху вътрешните компоненти на уреда.	Отстранете котления камък от уреда незабавно, като използвате програмата Самопочистване и предлаган в търговската мрежа продукт за отстраняване на котлен камък (вж. ОПЦИИ И ФУНКЦИИ). Напълнете отново резервоара със сол. Проверете настройката за твърдост на водата. Ако котленият камък не бъде премахнат, уредът ще спре да функционира.
Съдомиялната машина не стартира или не реагира на команди.	Уредът не е включен в контакта както трябва.	Включете щепсела в контакта.
	Спиране на захранването.	От съображения за безопасност съдомиялната машина може да не стартира автоматично след пускане на електрозахранването. Отворете вратата, натиснете бутона СТАРТ/Пауза и затворете вратата в рамките на 4 секунди.
	Вратата на съдомиялната не е затворена. Щифтът NaturalDry не е изтеглен.	Натиснете вратата силно, докато чуete щракване.
	Един цикъл се прекъсва от отваряне на вратата за повече от 4 секунди.	Натиснете СТАРТ/Пауза и затворете вратата в рамките на 4 секунди.
Съдомиялната машина не източва. На дисплея се показва: F7 E3 или F9 E1	Филтърът е запушен с остатъци от храна или котлен камък.	Почистете филтъра и отстранете котления камък от уреда (вжте ПОЧИСТВАНЕ НА ФИЛТЪРНИЯ ВЪЗЕЛ и ИНСТРУКЦИИ ЗА ОТСТРАНЯВАНЕ НА КОТЛЕН КАМЪК).
	Дренажният маркуч е прегънат.	Проверете дренажния маркуч (вж. ИНСТРУКЦИИ ЗА МОНТАЖ).
	Тръбата за източване на мивката е запушена.	Съдомиялната издава прекомерно много шум.
Съдомиялната издава прекомерно много шум.	Съдовете тракат един в друг.	Поставете съдовете правилно (вж. ЗАРЕЖДАНЕ НА КОШНИЦИТЕ).
	Има прекомерно количество пяна.	Препаратът не е измерен правилно или не е подходящ за използване в съдомиялни машини (вж. ЗАРЕЖДАНЕ НА ДОЗАТОРА ЗА МИЯЛЕН ПРЕПАРАТ). Рестартирайте текущия цикъл, като изключите и отново включите съдомиялната машина, изберете нова програма, натиснете СТАРТ/Пауза и затворете вратата в рамките на 4 секунди. Ne dodajajte pomivalnega sredstva.
	Съдовете не са подредени правилно.	Подредете съдовете правилно (вж. ЗАРЕЖДАНЕ НА КОШНИЦИТЕ).
	Филтърът е запушен с остатъци от храна или котлен камък.	Почистете филтърния механизъм (вж. ГРИЖИ И ПОДДРЪЖКА).
Съдовете не са почистени.	Съдовете не са подредени правилно.	Подредете съдовете правилно (вж. ЗАРЕЖДАНЕ НА КОШНИЦИТЕ).
	Разпръскващите рамена не могат да се въртят свободно, тъй като съдовете им пречат.	Подредете съдовете правилно (вж. ЗАРЕЖДАНЕ НА КОШНИЦИТЕ). Проверете дали горната кошница е в правилната позиция и регулирайте (повдигнете), ако е необходимо.
	Цикълът на измиване е твърде кратък.	Изберете подходящ цикъл на измиване (вж. ТАБЛИЦА НА ПРОГРАМИТЕ).
	Има прекомерно количество пяна.	Препаратът не е измерен правилно или не е подходящ за използване в съдомиялни машини (вж. ЗАРЕЖДАНЕ НА ДОЗАТОРА ЗА МИЯЛЕН ПРЕПАРАТ).
	Капачката на отделението за препарата за изплакване не е затворена правилно.	Уверете се, че капачката на дозатора за препарата за изплакване е затворена.
	Филтърът е запушен с остатъци от храна или котлен камък.	Почистете филтъра и отстранете котления камък от уреда (вж. ПОЧИСТВАНЕ НА ФИЛТЪРНИЯ ВЪЗЕЛ).
	Резервоарът за сол е празен.	Допълнете резервоара за сол (вж. ЗАРЕЖДАНЕ НА РЕЗЕРВОАРА ЗА СОЛ).

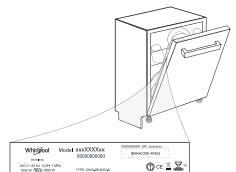
ПРОБЛЕМИ	ВЪЗМОЖНИ ПРИЧИНИ	РЕШЕНИЯ
„Съдомиялната машина не зарежда вода. На дисплея се изписва: H2O и  свети; прозвучава звукова аларма.“	Не се подава вода или кранът е затворен.	Уверете се, че във водопровода има вода и че кранът за вода е отворен.
	Маркучът за подаване на вода е прегънат.	Проверете маркуча за подаване на вода (вж. ИНСТРУКЦИИ ЗА МОНТАЖ). Отворете вратата, натиснете бутона СТАРТ/Пауза и затворете вратата в рамките на 4 секунди.
	Мрежичката в маркуча за подаване на вода е запушена; необходимо е да я почистите.	Проверете и почистете мрежичката на маркуча за подаване на вода. Отворете вратата, натиснете бутона СТАРТ/Пауза и затворете вратата в рамките на 4 секунди.
Съдомиялната машина спира цикъла преждевременно. На дисплея се изписва: F8 E3	Филтърът е запушен с остатъци от храна или котлен камък.	Почистете филтъра и отстранете котления камък от уреда (вижте ПОЧИСТВАНЕ НА ФИЛТЪРНИЯ ВЪЗЕЛ и ИНСТРУКЦИИ ЗА ОТСТРАНЯВАНЕ НА КОТЛЕН КАМЪК).
	Маркучът за източване е поставен твърде ниско или водата се източва в домашната канализационна система.	Проверете дали краят на маркуча е разположен на правилната височина (вж. ИНСТАЛИРАНЕ). Проверете дали маркучът не се оттича в домашната канализационна система и ако е необходимо, монтирайте тапа за сифона / въздушна клапа.
	Има прекомерно количество пяна.	Препаратът не е измерен правилно или не е подходящ за използване в съдомиялни машини (вж. ЗАРЕЖДАНЕ НА ДОЗАТОРА ЗА МИЯЛЕН ПРЕПАРАТ).
	Въздух в системата за подаване на вода.	Проверете водоподаващата система за течове или други проблеми, поради които в нея нахлува въздух.
Съдовете не са изсъхнали добре.	Няма препарат за изплакване или дозата е твърде малка.	Уверете се, че дозаторът за препарата за изплакване е пълен (вж. ЗАРЕЖДАНЕ НА ДОЗАТОРА ЗА ПОМОЩНО СРЕДСТВО ЗА ИЗПЛАКВАНЕ). Само мултифункционалните таблетки няма да осигурят толкова добър изсушаващ ефект, колкото действителното използване на течен препарат за изплакване.
	Съдовете са били извадени след автоматично отваряне на вратата, но преди реалния край на програмата.	Уверете се, че цикълът е приключил, преди да започнете да изваждате съдовете (вж. ВСЕКИДНЕВНА УПОТРЕБА). За още по-добри резултати на сушене се препоръчва да оставите съдовете да стоят вътре в съдомиялната с отворена врата за още 15 минути след края на програмата.
	Съдовете стоят прекалено хоризонтално.	Ако забележите локви вода в отворите за чаши, големи чаши или купи, опитайте да заредите съдовете (особено в горната поставка), като осигурите по-голям наклон, за да оставите по-големи количества вода да капят надолу, преди да започне сушенето.
	Избраната програма няма фаза на сушене.	Моля, проверете в ТАБЛИЦА НА ПРОГРАМИТЕ дали избраната програма е оборудвана с фаза на сушене. Цикъл без фаза на сушене може да не осигури желаната ефективност на сушене, така че се препоръчва да промените избора на цикъл с такъв, който има фаза на сушене.
Съдовете имат незалепващо покритие или са пластмасови.	Няколко водни капки, останали върху този тип материал, са нормални.	
Съдовете и чашите имат сини ивици или синкави оттенъци.	Дозата на препарата за изплакване е прекалено голяма.	Регулирайте дозировката до по-ниска настройка.
Съдовете и чашите са покрити с варовик или белезникав филм.	Резервоарът за сол е празен.	Напълнете отново резервоара със сол възможно най-скоро. Използването на уреда без сол може да причини повреда на вътрешните му компоненти.
	Настройката за твърдост на водата е твърде ниска.	Увеличете настройката (вж. ТАБЛИЦА ЗА ТВЪРДОСТ НА ВОДАТА).
	Капачката на резервоара за сол не е затворена правилно.	Проверете и затворете капачката на резервоара за сол.
Резервоарът за препарат за изплакване е празен или дозировката на препарата за изплакване е недостатъчна.	Напълнете отново дозатора с препарат за изплакване и проверете настройката на дозировката (за допълнителна информация - вж. ЗАРЕЖДАНЕ НА ДОЗАТОРА ЗА ПОМОЩНО СРЕДСТВО ЗА ИЗПЛАКВАНЕ).	
Съдомиялната показва F8 E5	Клапанът е блокиран или повреден.	Затворете крана на водата, ако е възможно. Не изключвайте захранването. Обърнете се на сервизен екип.



Фирмени политики, стандартна документация, поръчка на резервни части и допълнителна информация за продукти можете да намерите на:

- Използване на QR код и посещение на нашия уебсайт: docs.whirlpool.eu
- Посетите нашия уебсайт: parts-selfservice.whirlpool.com
- Като алтернатива можете да се **свържете с отдела за следпродажбено обслужване** (вижте телефонния номер в гаранционната книжка). При контакт с отдела за следпродажбено обслужване на клиенти съобщавайте кодовете, посочени на заводската табелка на Вашия уред.

Информацията за модела може да бъде извлечена чрез сканиране на QR кода на етикета за енергийния клас. На етикета също така е даден идентификатор на модела, който може да се използва за достъп до портала на регистъра на адрес <https://eprel.ec.europa.eu>





DĚKUJEME VÁM, ŽE JSTE SI ZAKOUPILI VÝROBEK ZNAČKY WHIRLPOOL
Pro získání komplexnější asistence zaregistrujte prosím svůj spotřebič na: www.whirlpool.eu/register

Před použitím spotřebiče si pečlivě přečtěte tento návod k použití a instalaci. Více informací o produktu naleznete na webových stránkách: docs.whirlpool.eu.



Po instalaci nezapomeňte z myčky odstranit všechny přepravní ochranné díly.

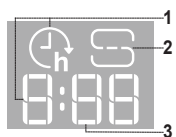
OVLÁDACÍ PANEL



1. Tlačítko ZAPNOUT/VYPNOUT/Resetování s kontrolkou
2. Tlačítko volby programu Eco s kontrolkou
3. Tlačítko volby programu Auto Rychlý s kontrolkou/ program Předmytí - stisknout 3 sekundy
4. Tlačítko volby programu Křišťál s kontrolkou/ program Autočištění - stisknout 3 sekundy
5. Tlačítka Automatických programů se světelnými kontrolkami - Auto Intenzivní 65° / Auto Smíšený 55° / Auto Rychlý 50°
6. Kontrolka prázdného zásobníku soli
7. Kontrolka prázdného zásobníku leštidla

8. Displej
9. Ukazatel čísla programu a zbývajících času
10. Kontrolka Uzavřený Vodovodní Kohoutek
11. Kontrolka ODVÁPŇENÍ
12. Tlačítka Extra možnosti se světelnými kontrolkami - Poloviční náplň / Tichý / Hygienický oplach
13. Tlačítko volby funkce Power Clean® s kontrolkou
14. Tlačítko volby Sušení Extra s kontrolkou/ Nastavení - stisknout 3 sekundy
15. Tlačítko volby Odložený Start s kontrolkou
16. Tlačítko SPUSTIT/Pozastavit s kontrolkou

DISPLEJ NA SPODNÍ STRANĚ (PODLAZE)



1. Zobrazení zpoždění začátku na podlaze - ukazatel času zbývajících do začátku cyklu, když je nastavena možnost zpoždění
2. Zásobník soli je prázdný - kontrolka na podlaze
3. Zobrazení zbývajících času na podlaze - ukazatel času zbývajících do konce cyklu

PRVNÍ POUŽITÍ

NABÍDKA NASTAVENÍ

1. Zapněte spotřebič stiskem tlačítka ZAPNOUT/VYPNOUT.
2. Podržte tlačítko Nastavení (Sušení Extra) po dobu 3 sekund, dokud neuslyšíte pípnutí a na displeji se zobrazí „SET“.
3. Po jedné sekundě se zobrazí první dostupné nastavení (písmeno „h“).
4. Stisknutím Automatických programů / Extra možnosti procházejte seznam dostupných nastavení (viz tabulku níže), poté stisknete SPUSTIT/Pozastavit pro zobrazení a změnu hodnoty aktuálně zvoleného nastavení.
5. Stisknete Automatických programů / Extra možnosti pro změnu hodnoty, poté stisknete SPUSTIT/Pozastavit pro uložení nové hodnoty.
6. Chcete-li změnit další nastavení, opakujte body 2 a 5.
7. Stisknete ZAPNOUT/VYPNOUT nebo počkejte 30 sekund pro opuštění nabídky.

PÍSMENO	NASTAVENÍ	HODNOTY (Výchozí - tučně)
h	Úroveň tvrdosti vody (viz „NASTAVENÍ TVRDOTI VODY“ a „TABULKA TVRDOTI VODY“)	1 2 3 4 5
h	Množství leštidla (viz „NASTAVENÍ DÁVKOVÁNÍ LEŠTIDLA“)	0 1 2 3 4 5
h	NaturalDry (viz „MOŽNOSTI A FUNKCE“) „1“ = zapnuto, „0“ = vypnuto	1 0
h	Časový údaj promítaný na podlahu (viz „MOŽNOSTI A FUNKCE“) „1“ = zapnuto, „0“ = vypnuto	1 0
h	Zvuk „1“ = zapnuto, „0“ = vypnuto	1 0
h	Tovární nastavení Stisknutím SPUSTIT/Pozastavit obnovíte výchozí tovární nastavení všech hodnot nastavení obsažených v nabídce nastavení.	-

NAPLNĚNÍ ZÁSOBNÍKU SOLI

Použití soli vede k předcházení usazování VODNÍHO KAMENE na nádobí a funkčních součástech myčky. Zásobník soli se nachází ve spodní části myčky (pod spodním košem na levé straně).

- Zásobník na sůl nesmí nikdy zůstat prázdný.
- Nastavení tvrdosti vody je důležité.
- Pokud se rozsvítí kontrolka DOPLNĚNÍ SOLI na ovládacím panelu, je nutné doplnit sůl.



1. Vytáhněte spodní koš a odšroubujte víčko zásobníku (proti směru hodinových ručiček).
2. Umístěte trychtýř (viz obrázek) a naplňte zásobník soli až po okraj (přibližně 0,5 kg); odtékání určitého množství vody je přitom normální.
3. Následující kroky provádějte pouze při prvním použití: Naplňte zásobník soli vodou.

4. Vyjměte trychtýř a otřete z otvoru přebytečnou sůl. Ujistěte se, že je víčko pevně dotaženo, aby se do zásobníku nedostal při mytí žádný mycí prostředek (to by mohlo vést k neopravitelnému poškození změkčovače vody).

Pokaždé, jakmile dokončíte doplňování zásobníku soli, spusťte program, abyste zabránili korozi.

Nastavení tvrdosti vody

Aby mohl změkčovač vody řádně fungovat, je nezbytné nastavit tvrdost vody podle skutečných hodnot platných pro vodu ve vašem domě. Informaci o tvrdosti vody v řadě získáte od místního dodavatele vody. Tovární nastavení pro průměrnou tvrdost je „3“. Viz TABULKA TVRDOTI VODY. Pro provádění změn viz pokyny v části „NABÍDKA NASTAVENÍ“.

Stupeň	Tabulka tvrdosti vody		
	°dH Německé stupně	°fH Francouzské stupně	°Clark Anglické stupně
1 (měkká)	0 - 6	0 - 10	0 - 7
2 (střední)	7 - 11	11 - 20	8 - 14
3 (středně tvrdá)	12 - 16	21 - 29	15 - 20
4 (tvrdá)	17 - 34	30 - 60	21 - 42
5 (velmi tvrdá)	35 - 50	61 - 90	43 - 62

Používejte výhradně sůl určenou pro myčky nádobí.

Poté, co do myčky nasypete sůl, zhasne kontrolka DOPLNĚNÍ SOLI. Pokud není zásobník na sůl doplněn, může to vést k poškození změkčovače vody a topného tělesa v důsledku nahromadění vodního kamene. Sůl doporučujeme používat s každým typem prostředku na mytí nádobí.

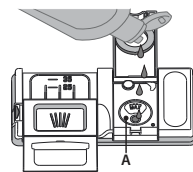
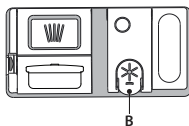
SYSTEM PRO ZMĚKČOVÁNÍ VODY

Změkčovač vody automaticky snižuje tvrdost vody, a zabraňuje tak nahromadění vodního kamene na ohříváči a přispívá k vyšší účinnosti mytí. Tento systém k regeneraci využívá sůl, proto je nutné doplňovat zásobník na sůl, když se vyprázdní. Četnost regenerace závisí na nastavení úrovně tvrdosti vody - s úrovní tvrdosti nastavené na 3 probíhá regenerace jednou za 4-6 Eco cyklů. Proces regenerace probíhá na začátku cyklu pomocí většího množství čisté vody.

- Spotřeba během jedné regenerace: ~ 3 l vody;
- Prodloužení cyklu až o 5 minut;
- Spotřeba méně než 0,005 kWh energie.

DOPLNĚNÍ DÁVKOVAČE LEŠTIDLA

Díky leštidlu nádobí lépe schne. Zásobník leštidla A by měl být doplněn pokaždé, když se na ovládacím panelu rozsvítí kontrolka NĚDOSTATEK LEŠTIDLA.



1. Stlačením a zatažením páčky na víku zásobník B otevřete.
2. Opatrně nalijte leštidlo až po maximální hodnotu (110ml) vyznačenou ryskou v hrdle zásobníku - zabraňte jeho přelití. Pokud dojde k rozlití, setřete tekutinu okamžitě suchým hadrem.

3. Stisknete víčko, dokud se s cvaknutím nezavře. NIKDY nelijte leštidlo přímo do myčky.

Nastavení dávkování leštidla

Nejste-li plně spokojeni s výsledky sušení, můžete nastavit množství použitého leštidla. Pro provádění změn viz pokyny v části „NABÍDKA NASTAVENÍ“. Je-li úroveň dávkování leštidla nastavena na „NULA“, nebude dávkováno žádné leštidlo. Dojde-li leštidlo, kontrolka „NEDOSTATEK LEŠTIDLA“ se nerozsvítí. V závislosti na konkrétním modelu myčky lze nastavit maximálně 6 úrovně.

- Pokud jsou na nádobí patrné modravé odlesky, nastavte nízké hodnoty (0-3).
- Jsou-li na nádobí stopy vodního kamene, nastavte vyšší číslo (4-5).

DENNÍ POUŽÍVÁNÍ

1. ZKONTROLUJTE PŘIPOJENÍ K VODOVODNÍ SÍŤ

Zkontrolujte, zda je myčka připojena k vodovodní síti a zda je vodovodní kohoutek otevřený.

2. ZAPNĚTE MYČKU

Otevřete dvířka a stiskněte tlačítko **ZAPNOUT/VYPNOUT**.

3. VLOŽTE NÁDOBÍ (viz PLNĚNÍ KOŠŮ).

4. PLNĚNÍ DÁVKOVAČE MYCÍHO PROSTŘEDKU

5. VYBERTE PROGRAM A PŘÍZPUSOBTE CYKLUS

Nejvhodnější program vyberete v závislosti na druhu nádobí a míře jeho zašpinění (viz **POPIS PROGRAMŮ**) stisknutím tlačítka vybraného **PROGRAMU**. Vybete požadované možnosti (viz „**MOŽNOSTI A FUNKCE**“). Ne všechny možnosti jsou kompatibilní se všemi programy.

6. SPUSTIT

Mycí cyklus spustíte stiskem tlačítka **SPUSTIT/Pozastavit** (LED kontrolka svítí) a následným uzavřením dvířek do 4 sekund. Jakmile program začne, uslyšíte jedno pípnutí. Pokud dvířka nejsou do 4 sekund uzavřena, rozeszná se výstražné upozornění. V takovém případě dvířka otevřete, stiskněte tlačítko **SPUSTIT/Pozastavit** a znovu je uzavřete při dodržení čtyřsekundového časového limitu.

7. KONEC MYCÍHO CYKLU

Konec mycího cyklu oznámí zvukové znamení a na displeji se zobrazí **END (KONEC)**. Otevřete dvířka a vypněte spotřebič stiskem tlačítka **ZAPNOUT/VYPNOUT**.

Před vyklizením nádobí chvíli počkejte, předejdete tak popálení. Vyklidte nádobí z košů – začněte spodním.

DOPORUČENÍ A TYPY

RADY

Před plněním košů odstraňte z nádobí všechny zbytky jídel a vyprázdněte sklenice. **Nádobí není třeba oplachovat pod tekoucí vodou.**

Uspořádejte nádobí vmyčce tak, aby pevně leželo na místě a nepřepadávalo; nádoby vkládejte dnem vzhůru a vyduťnými vypuklými povrchy šikmo, aby voda měla přístup ke všem povrchům a zároveň mohla volně odtékat.

Varování: Víka, madla, podnosy a pánve nesmí bránit ostříkovacím ramenům myčky v pohybu.

Drobné předměty vkládejte do koše na příbory. Velmi znečištěné nádobí a hrnce umísťte do spodního koše, protože v této části myčky je proud vody silnější, a lze tak dosáhnout lepší výkonnosti.

Po naplnění myčky ověřte, že se ostříkovací ramena mohou volně otáčet.

NEVHODNÉ NÁDOBÍ

- Dřevěné nádobí a příbory.
- Jemné zdobené sklenice, umělecké, ručně vyrobené a starožitné nádobí. Jejich zdobení není dostatečně odolné.
- Části z plastu neodolávající vysokým teplotám.
- Měděné a cínové nádobí.
- Nádobí zašpiněné popelem, voskem, mazacím tukem či inkoustem.

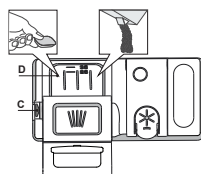
Barva ozdob na skle a hliníkových/stříbrných kusů nádobí může během mytí vyblednout. Některé druhy skla (např. křišťálové předměty) mohou po několika mycích cyklech zmatnět.

POŠKOZENÍ SKLA A NÁDOBÍ

- Používejte výhradně sklenice a porcelán, u nichž výrobce zaručuje možnost mytí v myčce.
- Používejte jemný mycí přípravek vhodný na porcelánové nádobí
- Vyjměte sklo a příbory z myčky hned po skončení mycího cyklu.

DOPLNĚNÍ DÁVKOVAČE MYCÍHO PROSTŘEDKU

K otevření zásobníku mycího prostředku použijte otevírací prvek C. Dávkuje mycí prostředek výhradně do suchého zásobníku D. Prostředek pro předmytí dávkuje přímo do prostoru myčky.



1. Při dávkování mycího prostředku se řiďte předchozími pokyny, abyste odměřili správné množství. Uvnitř zásobníku **D** se nacházejí značky, které pomohou při dávkování mycího prostředku.
2. Odstraňte zbytky mycího prostředku z okraje zásobníku a pak jej zavřete tak, aby bylo slyšet cvaknutí.
3. Tahem zavřete víčko zásobníku mycího prostředku, dokud zavírací prvek nezapadne na své místo.

Zásobník se automaticky otevře v pravou chvíli v závislosti na použitém programu.

Použití čistícího prostředku, který není určený pro myčky nádobí, může způsobit nesprávný chod nebo poškození spotřebiče.

ÚPRAVA NASTAVENÍ BĚŽÍCÍHO PROGRAMU

Došlo-li k výběru nesprávného programu, je možné jej změnit za předpokladu, že od jeho spuštění uplynula pouze krátká chvíle. **RESET** spotřebiče: Stiskněte tlačítko **ZAPNOUT/VYPNOUT** a podržte ho po dobu delší než 3 sekundy, načež se spotřebič vypne. **Na ovládacím panelu bude svítit „0:01“**. Zavřete dvířka a vyčkejte, dokud neskončí cyklus vypouštění (přibližně 1 minuta). Otevřete dvířka a stisknutím tlačítka **ZAPNOUT/VYPNOUT** spotřebič opět zapnete a zvolte nový mycí program spolu s požadovanými možnostmi. Mycí cyklus spustíte stiskem tlačítka **SPUSTIT/Pozastavit** a uzavřením dvířek do 4 sekund.

PŘIDÁNÍ DALŠÍHO NÁDOBÍ

Bez toho, abyste spotřebič vypínali, otevřete nejprve mírně dvířka, aby voda nevystříkla ven (LED kontrolka **SPUSTIT/Pozastavit** začne blikat) (**Pozor! Horká pára!**) a vložte nádobí do myčky. Stiskněte tlačítko **SPUSTIT/Pozastavit** a do 4 sekund uzavřete dvířka. Cyklus se opětovně spustí od místa, ve kterém byl přerušen.

NÁHODNÁ PŘERUŠENÍ

Dojde-li v průběhu mycího cyklu k otevření dvířek nebo výpadku elektrického napájení, cyklus se zastaví. **POUZE POKUD STISKNETE** tlačítko **SPUSTIT/Pozastavit** a do 4 sekund zavřete dvířka, cyklus se opětovně spustí od místa, ve kterém byl přerušen.

TIPY K ÚSPORĚ ENERGIE

- Pokud se myčka nádobí do domácnosti používá v souladu s pokyny výrobce, je **spotřeba ENERGIE a vody při mytí nádobí v myčce NIŽŠÍ než při mytí v ruce.**
- Pro maximální úspornost myčky nádobí doporučujeme **mycí cyklus spustit až ve chvíli, kdy je myčka zcela zaplněná.** Naplnění myčky nádobí až do plné kapacity uvedené výrobcem přispívá k úspoře energie a vody. Informace o správném vkládání nádobí najdete v kapitole **PLNĚNÍ KOŠŮ**. V případě pouze částečného zaplnění doporučujeme použití příslušného mycího programu, je-li k dispozici (Half load / Zone Wash / Multi Zone) a plnění pouze příslušných košů. Nesprávné nebo nadměrné naplnění myčky může vést ke zvýšení spotřeby (vody, energie a času) i zvýšení hlukosti) a k snížení účinnosti mytí a sušení.
- Ruční předmývání nádobí vede ke zvýšené spotřebě vody a energie a nedoporučujeme jej.

HYGIENA

Abyste se předešlo vzniku usazenin a zápachu v myčce, **spusťte nejméně jednou měsíčně program s vysokou teplotou.** Použijte čajovou lžičku mycího prostředku a vsypte ji do prázdné myčky.

ODOLNOST MRÁZU

Pokud je spotřebič umístěn v prostředí, kde je vystaven nebezpečí mrazu, **musí z něj být zcela vypuštěny všechny kapaliny.** Zavřete vodovodní kohoutek, sejměte přívodní a odtokové hadice a nechte veškerou vodu odtéct. Aby byl spotřebič chráněn před teplotami až do $-20\text{ }^{\circ}\text{C}$, **ujistěte se, že změkčovač vody v zásobníku soli je plný rozpuštěné regenerační soli.** Pokud byl spotřebič skladován v mrazu, musí **po dobu nejméně 24 hodin** před prvním spuštěním zůstat při okolní teplotě min. $5\text{ }^{\circ}\text{C}$.

TABULKA PROGRAMŮ

Program	Popis programů	Fáze sušení	Natural-Dry	Dostupné funkce *)	Délka mycího programu (h:min)**)	Spotřeba vody (litry/cyklus)	Spotřeba energie (kWh/cyklus)
Eco	Úsporný program 50° - e vhodný k mytí běžně zašpiněného nádobí, který je pro tento účel nejvýhodnějším programem s ohledem na spotřebu energie a vody a který se využívá k vyhodnocení shody spotřebiče s předpisy Ecodesign EU.	✓	✓		3:30	9,5	0,76
	Rychlý 45° - program doporučujeme používat na menší množství lehce zašpiněného nádobí bez zaschlých zbytků jídel. Nezahrnuje fázi sušení.	-	✓		0:30 - 0:40	10,0 - 12,0	0,55 - 0,65
	Křišťál 45° - Program pro choulostivé nádobí, které je citlivější na vysoké teploty, jako jsou například sklenice a hrnky.	✓	✓		1:40 - 1:50	12,5 - 16,5	0,95 - 1,20
	Auto Intenzivní 65° - Automatický program pro silně zašpiněné nádobí.	✓	✓		2:25 - 3:10	15,5 - 24,5	1,30 - 1,70
	Auto Smíšený 55° - Automatický program pro běžně zašpiněné nádobí se zaschlými zbytky jídel.	✓	✓		1:20 - 3:00	7,5 - 19,5	0,75 - 1,20
	Auto Rychlý 50° - Automatický program pro běžně a lehce zašpiněné nádobí. Běžný každodenní program zajišťující optimální účinnost mytí a sušení za kratší dobu.	✓	✓		1:00 - 1:50	7,5 - 15,5	0,70 - 1,10
	Předmytí - Používejte pro opláchnutí nádobí, které plánujete mýt později. V tomto programu se nepoužívá žádný mycí prostředek.	-	✓		0:12	4,5	0,10
	Autočištění 65° - Program slouží k údržbě myčky nádobí. Spouštějte pouze v případě, že je myčka PRAZDŇA a s použitím speciálního čistícího prostředku určeného k údržbě myčky.	-	-		1:15	11,0	1,10

Údaje pro „ÚSPORNÝ PROGRAM“ jsou měřeny v laboratorních podmínkách podle pokynů evropské normy EN 60436:2020.

Poznámka pro zkušební laboratoře: Pro informace o zkušebních podmínkách srovnávací zkoušky EN napište na adresu: dw_test_support@whirlpool.com

Žádný z programů nevyžaduje jakékoli předchozí ošetření nádobí.

*) Ne všechny možnosti lze používat zároveň.

**) Hodnoty uvedené pro ostatní programy kromě „ÚSPORNÝ PROGRAM“ jsou pouze přibližné. Skutečná doba se může lišit v závislosti na mnoha vlivech, jako je např. teplota, tlak vstupní vody, teplota okolí, množství mycího prostředku, množství a typ nádobí, vyvážení nádobí, zvolené doplňkové možnosti a kalibrace snímačů. Kalibrace snímačů může program prodloužit až o 20min.

MOŽNOSTI A FUNKCE

MOŽNOSTI lze vybírat / a volby rušit po zvolení programu, a to přímým stiskem odpovídajícího tlačítka (je-li možnost dostupná, rozsvítí se indikace) (viz OVLÁDACÍ PANEL). Není-li možnost kompatibilní se zvoleným programem (viz TABULKA PROGRAMŮ), příslušná kontrolka třikrát rychle zabliká a ozve se zvukové znamení. Možnost nebude zvolena. Použití volby může u daného programu vyvolat změnu doby jeho trvání nebo spotřeby vody či energie.

POLOVIČNÍ NÁPLŇ – Pokud je k mytí pouze malé množství nádobí, lze využít funkci POLOVIČNÍ NÁPLŇ šetřící elektrickou energii, vodu nebo čas, v závislosti na zvoleném programu. Nezapomeňte snížit množství mycího prostředku.

TICHÝ - Ideální program pro noční provoz spotřebiče. Tuto možnost lze použít k omezení hluku během fáze mytí. Prodlouží dobu trvání cyklu v závislosti na výběru základního cyklu.

HYGIENICKÝ OPLACH - Tuto volbu lze použít pro hygienické vyčištění již umytého nádobí. Zvyšší teplotu vody posledního oplachu a k zvolenému programu přidá funkci antibakteriálního mytí. Ideální k mytí čistého nádobí a dětských lahviček. Dvířka myčky musí být po celou délku programu zavřena, aby mohlo dojít ke zničení choroboplodných zárodků..

VAROVÁNÍ: Nádobí a stěny mohou být na konci programu velmi horké.

POWER CLEAN® - Díky přídavným vodním tryskám umožňuje tato funkce intenzivnější a účinnější mytí nádobí ve vymezené části spodního koše. Tato funkce se doporučuje pro mytí rendlíků a hrnců (více informací naleznete v části týkající se plnění Power Clean®).

SUŠENÍ EXTRA - Zvýšená teplota v závěrečné fázi oplachování a prodloužení fáze sušení vedou k zlepšení sušení. Volba možnosti „SUŠENÍ EXTRA“ má za následek prodloužení mycího cyklu.

ODLOŽENÝ START - Spuštění programu lze odložit o dobu mezi **30 min až 24 hodinami**.

1. Zvolte program a případně další možnosti. Odložení spuštění programu nastavíte stiskem tlačítka ODLOŽENÝ START (opakovaně). Spuštění programu lze odložit o 30 minut až 24 hodin. Pokud je při nastavování dosaženo hodnoty „24 hodin“, stiskněte tlačítko ODLOŽENÝ START ještě jednou, abyse funkce ODLOŽENÝ START deaktivovala.

2. Stiskněte tlačítko „SPUSTIT/Pozastavit“ a do 4 sekund zavřete dvířka: časovač začne odpočítávat.

3. Po vypršení stanoveného času kontrolka zhasne a program se automaticky spustí.

Po spuštění programu již funkci ODLOŽENÝ START zvolit nelze.

UZAVŘENÝ VODOVODNÍ KOHOUTEK – výstražná signalizace - Kontrolka bliká v případě, že je uzavřen přívod vody nebo voda nepřítéká.

ČASOVÝ ÚDAJ PROMÍTANÝ NA PODLAHU - LED světlo nasměrované na podlahu ukazuje informaci o čase, který zbývá do ukončení cyklu. Světlo se rozsvítí s každým otevřením dveří. Světlo zhasne na konci cyklu. Tato funkce se aktivuje v rámci výchozího nastavení, nicméně lze ji deaktivovat v „NABÍDKA NASTAVENÍ“.

ODVÁPNĚNÍ – Alarm - Na vnitřních součástech spotřebiče bylo zjištěno nahromadění vodního kamene. Zkontrolujte, zda je **Nastavení tvrdosti vody** na správné hodnotě a zda je v zásobníku soli přítomna **sůl** (další podrobnosti viz PRVNÍ POUŽITÍ), poté **použijte odvápnovací prostředek** (doporučuje se značka WPro) s **programem Autočištění**. Po úspěšném odvápnění se ikona přestane zobrazovat.

Pokud nebudou provedeny výše uvedené akce, výkon produktu se zhorší. Varování «Odvápnění» začne blikat a na displeji se zobrazí alarm «DES». Pokud stále neprovedete žádnou akci, spotřebič umožní spuštění pouze určitého počtu cyklů (indikováno během zobrazení alarmu «DES») a poté bude **ZABLOKOVÁN**, aby se zabránilo poškození součástí, **příčemž je k dispozici pouze program Autočištění**. Provedením úplného odstranění vodního kamene dojde k odblokování produktu. V případě extrémně vysokého množství vodního kamene může být nutné odvápnění provést dvakrát, aby bylo účinné.

NaturalDry – Konvenční způsob sušení, kdy se automaticky otevírají dvířka během sušení / po ukončení fáze sušení, aby každý den byla zajištěna mimořádná účinnost sušení. Dvířka se otevřou při teplotě, která je bezpečná pro váš kuchyňský nábytek. Neotevřou se tedy v případě, pokud jste zapnuli možnost HYGIENICKÝ OPLACH.

Jako doplňkovou ochranu proti horké páře dodáváme k myčce speciálně navrženou ochrannou fólii.

Pro informace jak postupovat při instalaci ochranné fólie nahlédněte prosím do INSTALAČNÍ PŘÍRUČKY. Tato funkce se aktivuje v rámci výchozího nastavení, nicméně lze ji deaktivovat v „NABÍDKA NASTAVENÍ“.

SNÍMÁNÍ - Ve chvíli, kdy senzor snímá úroveň zašpinění, na displeji se zobrazí odpovídající symbol (přibližně 20 min) a aktualizuje se délka cyklu. Účelem snímání je zjistit míru zašpinění nádobí. Funkce je součástí všech cyklů (kromě Úsporný program) a odpovídajícím způsobem upravuje parametry programu.

PLNĚNÍ KOŠŮ

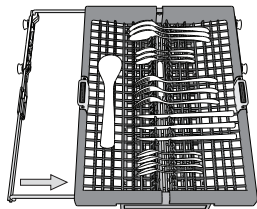
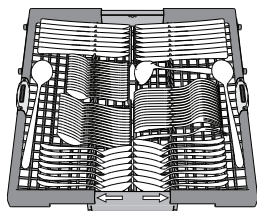
KAPACITA: 15 standardních jídelních souprav

ZÁSUVKA NA PŘÍBORY

Třetí koš je určen na příbory. Příbory ukládejte tak, jak je znázorněno na obrázku. Oddělené umístění příborů usnadňuje jejich pozdější úklid a zlepšuje sušení.

Nože a další ostré nástroje musí být umístěny ostrým dolů.

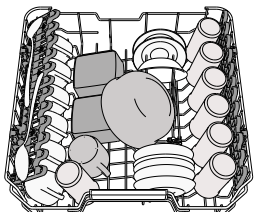
Koš na příbory je vybaven dvěma posuvnými postranními koši tak, aby bylo možno co nejlépe využít výšku prostoru a zároveň umožnit umístění vysokých předmětů do horního koše.



HORNÍ KOŠ

Sem vkládejte jemné a lehké nádobí: sklenice, hrnky, tácky a mělké salátové mísy. Horní koš je vybaven opěrkami, které lze ve svislé poloze použít k umístění podšálků a dezertních talířů, nebo v nižší poloze k umístění misek a nádob na potraviny.

(příklad naplnění horního koše)



Nastavení výšky horního koše

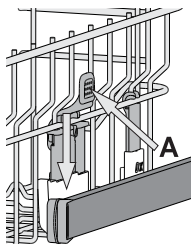
Výšku horního koše lze nastavit: Při umístění do vyšší polohy lze do spodního koše vkládat objemnější kusy, v nižší poloze pak lze nejlépe využít sklopných opěrek – v horní části se tak vytvoří větší prostor a předejde se kolizím s předměty uloženými ve spodním koši.

Horní koš je vybaven **zařízením pro nastavení výšky horního koše** (viz obr.), bez nutnosti používat páky. Stačí koš prostě zvednout za strany, dokud nezapadne do stabilní horní polohy.

Pro návrat koše zpět do dolní polohy stiskněte páky **A** po stranách koše a zatlačte koš dolů.

Důrazně doporučujeme neměnit polohu koše, je-li plný.

NIKDY nesnižujte ani nezvyšujte polohu koše pouze na jedné straně.

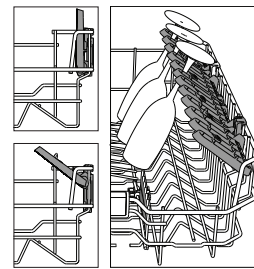


Sklopné opěrky s nastavitelnou polohou

Postranní sklopné opěrky lze sklopit nebo vyklopit za účelem lepšího uspořádání nádobí v koši. Do sklopných opěrek je možno bezpečně umístit sklenice na víno, a to tak, že stopku každé z nich opěreme do příslušného vybrání.

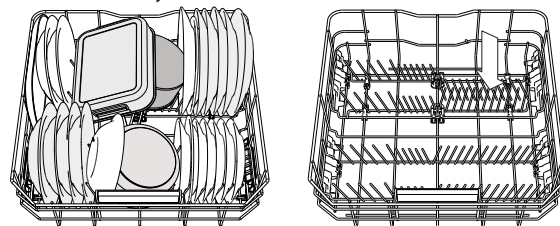
Podle modelu:

- vyklopení opěrek: je třeba je posunout nahoru a otočit jimi nebo je uvolnit z přichytek a zatáhnout směrem dolů;
- sklopení opěrek: je třeba jimi otočit a posunout je dolů, nebo je vytáhnout směrem nahoru a připnout do přichytek.



DOLNÍ KOŠ

Je určen na hrnce, tácky, talíře, salátové mísy, příbory atd. Velké talíře a poklice by měly být umístěny po stranách, aby nedošlo ke kontaktu s ostříkovacími rameny. Dolní koš je vybaven opěrkami, které lze ve svislé poloze použít k umístění talířů nebo v horizontální (dolní) poloze ke snadnému umístění hrnců a salátových misek.



(příklad plnění dolního koše)

POWER CLEAN®

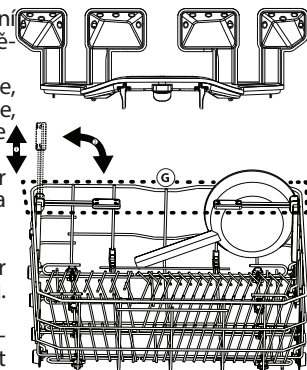
Při funkci „Power Clean“ se používají speciální proudy vody v zadní části myčky k intenzivnějšímu mytí velmi špinavého nádobí.

Dolní koš je vybaven zařízením Space Zone, speciální výsuvnou opěrkou v zadní části koše, kterou lze použít k opření pánví či pekáčů ve svislé poloze, kdy zabírají méně místa.

Umístěte hrnce a kastroly proti ústí Power Clean® a aktivujte funkci POWER CLEAN na panelu.

Jak používat funkci „Power Clean“:

1. Upravte prostor (G) pro účinné mytí „Power Clean“ sklopením zadních držáků talířů. Tím uvolníte prostor pro hrnce.
2. Hrnce a kastroly položte svisle do prostoru „Power Clean“. Hrnce je třeba naklonit směrem k vodním tryskám.



ÚDRŽBA A ČIŠTĚNÍ

ČIŠTĚNÍ SESTAVY FILTRU

Pravidelně čistěte sestavu filtru, aby nebyla ucpaná a voda mohla řádně odtékat. Používání myčky s ucpanými filtry nebo cizími předměty ve filtračním systému či rozstříkovačích může způsobit nesprávný chod spotřebiče, ztrátu účinnosti, hlučný chod nebo vyšší spotřebu.

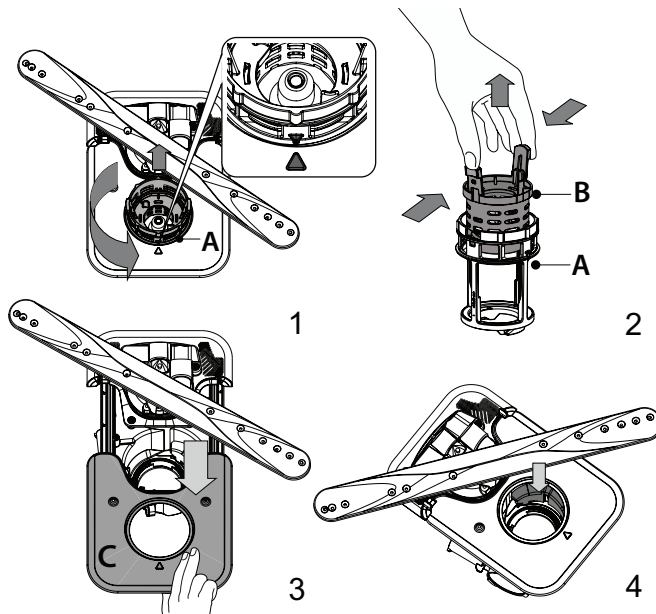
Sestava filtru se skládá ze tří filtrů, které pomáhají zmycí vody odstranit zbytky potravin a umožňují její následnou recirkulaci.

Myčka nesmí být používána bez filtrů nebo s nedotaženými filtry.

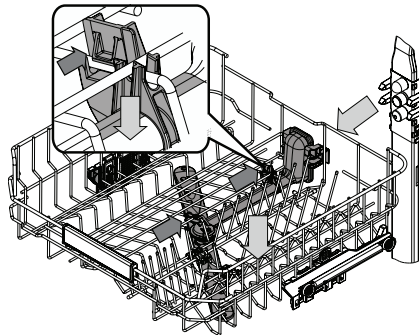
Nejméně jednou měsíčně nebo po každých 30 cyklech zkontrolujte sestavu filtru a v případě potřeby jej důkladně vymyjte pod tekoucí vodou za pomoci nekovového kartáče podle pokynů níže:

1. Otočte válcovým filtrem **A** proti směru chodu hodinových ručiček a vyjměte jej (obr. 1). **Při opětovné instalaci filtru je důležité, aby se oba trojúhelníky zobrazené na zoomu setkaly.**
2. Mírným tlakem na postranní klapky vyjměte miskový filtr **B** (obr. 2).
3. Vysuňte nerezový deskový filtr **C** (obr. 3).
4. Pokud naleznete cizí předměty (např. úlomky skla, porcelánu, kosti, semínka z ovoce), **opatrně je odstraňte.**
5. Prohlédněte prostor pod filtrem a odstraňte případné zbytky jídla. **NIKDY NEODSTRAŇUJTE** ochranu čerpadla mycího cyklu (zobrazeno šipkou) (obr. 4).

Po vyčištění filtry vraťte na jejich místo a zajistěte je; je to zásadní pro zachování funkčnosti myčky.

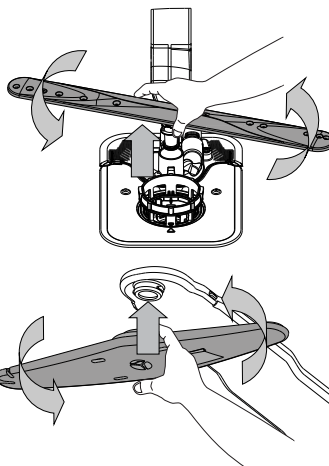


ČIŠTĚNÍ OSTŘIKOVACÍCH RAMEN



Někdy se stane, že se do ostřikovacích ramen dostane zbytek jídla a ucpe některou z jeho trysek. Doporučujeme proto občasnou kontrolu ramen a jejich vyčištění malým nekovovým kartáčkem.

Chcete-li odebrat horní ostřikování, musíte jej odebrat včetně rozdělovacího potrubí.




Spodní ostřikovací rameno lze vyjmout zatažením směrem nahoru a otočením proti směru hodinových ručiček. Zpětná montáž ostřikovacího ramene se provádí zatažením dolů a otočením ve směru hodinových ručiček.

Horní ostřikovací rameno lze vyjmout zatlačením směrem nahoru a otočením proti směru hodinových ručiček. Zpětná montáž ostřikovacího ramene se provádí zatažením nahoru a otočením ve směru hodinových ručiček.

ODSTRAŇOVÁNÍ ZÁVAD

Pokud vaše myčka nádobí nefunguje správně, pokuste se problém vyřešit za pomoci informací uvedených v tomto seznamu. V případě jiných problémů nebo dotazů se obraťte na autorizovaný poprodejní servis, jehož kontaktní údaje najdete v záručním listě. Náhradní díly budou k dispozici po dobu až 7 nebo až 10 let podle konkrétních požadavků nařízení.

PROBLÉMY	MOŽNÉ PŘÍČINY	ŘEŠENÍ
Svítí indikátor soli	Zásobník soli je téměř prázdný.	Doplňte do nádržky sůl (další informace – viz NAPLNĚNÍ ZÁSOBNÍKU SOLI). V případě potřeby zkontrolujte nastavení tvrdosti vody – viz TABULKA TVRDOSTI VODY .
Indikátor soli bliká	Zásobník soli je prázdný.	Co nejdříve doplňte do zásobníku sůl. Používání spotřebiče bez soli může způsobit poškození vnitřních komponent.
Indikátor leštidla svítí nebo bliká	Zásobník leštidla je prázdný. (Poté, co leštidlo doplníte, může kontrolka zůstat ještě krátkou dobu svítit.)	Doplňte do zásobníku leštidlo (více informací viz DOPLNĚNÍ DÁVKOVAČE LEŠTIDLA).
Indikátor odvápnění svítí nebo bliká; zobrazuje se alarm „dES“.	Na vnitřních součástech spotřebiče se hromadí vodní kámen.	Spotřebič ihned odvápněte pomocí programu Autočištění a běžně dostupného odvápnovacího prostředku (viz MOŽNOSTI A FUNKCE). Doplněte do nádržky sůl. Zkontrolujte nastavení tvrdosti vody. Pokud odvápnění spotřebiče neprovedete, přestane fungovat.
Myčka se nespouští nebo nereaguje na povely.	Spotřebič není správně připojen do zásuvky.	Zasuňte zástrčku do zásuvky.
	Výpadek proudu.	Z bezpečnostních důvodů se myčka při obnovení napájení automaticky znovu nespustí. Otevřete dvířka myčky, stiskněte tlačítko SPUSTIT/Pozastavit a poté dvířka do 4 sekund znovu zavřete.
	Dveře myčky nejsou dobře zavřené. Količek funkce Natural Dry není zatažen.	Důkladně zavřete dveře, dokud neuslyšíte „cvaknutí“.
	Otevřením dvířek na více než 4 sekundy dojde k přerušení cyklu.	Stiskněte tlačítko SPUSTIT/Pozastavit a do 4 sekund uzavřete dvířka.
Myčka nevypouští vodu. Na displeji se zobrazuje: F7 E3 nebo F9 E1	Filtr je ucpaný zbytky jídla nebo vodním kamenem.	Filtr vyčistěte a proveďte odvápnění spotřebiče (viz ČIŠTĚNÍ SESTAVY FILTRU a ODVÁPNĚNÍ).
	Vypouštěč hadice je zkroucená.	Zkontrolujte vypouštěč hadici (viz POKYNY K INSTALACI).
	Odpad dřezu je ucpaný.	Vyčistěte odtok dřezu.
Myčka je příliš hlučná.	Nádobí na sebe naráží.	Nádobí správně rozmístěte (viz PLNĚNÍ KOŠŮ).
	Je přítomno nadměrné množství pěny.	Mycí prostředek nebyl správně nadávkován, popřípadě není vhodný pro použití v myčkách nádobí (viz DOPLNĚNÍ DÁVKOVAČE LEŠTIDLA). Restartujte aktuální cyklus vypnutím a opětovným zapnutím myčky. Poté zvolte nový program, stiskněte tlačítko SPUSTIT/Pozastavit a během 4 sekund zavřete dvířka. Nepřidávejte prosím žádný mycí prostředek.
	Nádobí nebylo v myčce správně uspořádáno.	Nádobí správně rozmístěte (viz PLNĚNÍ KOŠŮ).
	Filtr je ucpaný zbytky jídla nebo vodním kamenem.	Vyčistěte sestavu filtrů (viz ÚDRŽBA A ČIŠTĚNÍ).
Nádobí není umyté.	Nádobí nebylo v myčce správně uspořádáno.	Nádobí správně rozmístěte (viz PLNĚNÍ KOŠŮ).
	Ostřikovací ramena se nemohou volně otáčet – brání jim nádobí.	Nádobí správně rozmístěte (viz PLNĚNÍ KOŠŮ). Zkontrolujte, zda je horní koš ve správné poloze, a v případě potřeby jej upravte (zvedněte).
	Mycí cyklus je příliš jemný.	Vyberte vhodný mycí cyklus (viz TABULKA PROGRAMŮ).
	Je přítomno nadměrné množství pěny.	Mycí prostředek nebyl správně nadávkován, nebo není vhodný pro použití v myčkách nádobí (viz PLNĚNÍ ZÁSOBNÍKU MYCÍHO PROSTŘEDKU).
	Víčko zásobníku leštidla není dobře uzavřeno.	Přesvědčte se, že je víčko na zásobníku leštidla dobře zavřeno.
	Filtr je ucpaný zbytky jídla nebo vodním kamenem.	Vyčistěte filtr a spotřebič odvápněte (viz ČIŠTĚNÍ SESTAVY FILTRU).
Zásobník soli je prázdný.	Doplňte zásobník na sůl (viz NAPLNĚNÍ ZÁSOBNÍKU SOLI).	

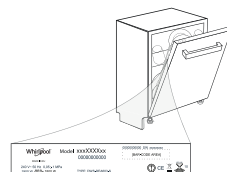
PROBLÉMY	MOŽNÉ PŘÍČINY	ŘEŠENÍ
Myčka nenapouští vodu. Na displeji se zobrazuje: H2O a  svítí; zní zvukový alarm.	V potrubí není voda nebo je uzavřený přívodní ventil.	Zkontrolujte, zda je v potrubí voda a zda je otevřený přívodní ventil.
	Přívodní hadice vody je zkroutená.	Zkontroluje přívodní hadici (viz <i>INSTALACE</i>). Otevřete dvířka myčky, stiskněte tlačítko SPUSTIT/Pozastavit a poté dvířka do 4 sekund znovu zavřete.
	Sítka v přívodní hadici je zanesené; je třeba je vyčistit.	Překontroluje a vyčistěte sítka nacházející se v přívodní hadici vody. Otevřete dvířka myčky, stiskněte tlačítko SPUSTIT/Pozastavit a poté dvířka do 4 sekund znovu zavřete.
Myčka předčasně ukončuje cyklus. Na displeji se zobrazuje: F8 E3	Filtr je ucpaný zbytky jídla nebo vodním kamenem.	Filtr vyčistěte a proveďte odvápnění spotřebiče (viz <i>ČIŠTĚNÍ SESTAVY FILTRU a ODVÁPŇENÍ</i>).
	Vypouštěcí hadice je umístěna příliš nízko, nebo dochází k vypouštění do domácího kanalizačního systému.	Zkontrolujte, zda je konec vypouštěcí hadice umístěn ve správné výšce (viz <i>INSTALACE</i>). Zkontrolujte, zda nedochází k vypouštění do domovní kanalizace, a v případě potřeby nainstalujte přeřušovač sifonu / ventil pro přívod vzduchu.
	Je přítomno nadměrné množství pěny.	Mycí prostředek nebyl správně nadávkován, nebo není vhodný pro použití v myčkách nádobí (viz <i>DOPLNĚNÍ DÁVKOVAČE MYCÍHO PROSTŘEDKU</i>).
	Vzduch v přívodní hadici.	Zkontrolujte, zda systém přívodu vody nevykazuje netěsnosti, nebo zda se nevyskytují jiné závady, které způsobují pronikání vzduchu dovnitř.
Nádobí není dobře usušené.	Není přítomen lešticí prostředek, popřípadě je dávkováno příliš malé množství.	Ujistěte se, že zásobník na leštidlo je doplněn (viz <i>DOPLNĚNÍ DÁVKOVAČE LEŠTIDLA</i>). Při použití pouze multifunkčních tablet nedocílíte tak dobré účinnosti sušení jako při použití tekutého leštidla.
	Nádobí bylo vyloženo po automatickém otevření dvířek, ale před skutečným ukončením cyklu.	Před zahájením vykládání nádobí se ujistěte, že cyklus skončil (viz <i>DENNÍ POUŽÍVÁNÍ</i>). Pro ještě lepší výsledky sušení doporučujeme po skončení cyklu ponechat nádobí v myčce s otevřenými dvířky dalších 15 minut.
	Nádobí je uloženo příliš na plocho.	Pokud máte v prohlubních šálků, hrnků nebo misek nahromaděnou vodu, zkuste vložit nádobí do myčky (to platí zvláště pro horní koš) tak, aby bylo více nakloněné, aby větší množství vody mohlo odkapat ještě předtím, než začne sušení.
	Zvolený mycí cyklus nezahrnuje fázi sušení.	Podívejte se do <i>TABULKY PROGRAMŮ</i> , abyste zjistili, zda je součástí zvoleného programu i fáze sušení. Cyklus bez fáze sušení nemusí zajistit požadovanou účinnost sušení, proto doporučujeme změnit výběr mycího cyklu a zvolit takový, který fázi sušení má.
	Nádobí je z plastu s nepřílnavou úpravou.	Ulpění pár kapek vody na tomto typu materiálu je normální.
Na nádobí a sklenicích jsou modré pruhy, nebo mají namodralý nádech.	Dávkování leštidla je příliš vysoké.	Nastavte dávkování na nižší množství.
Nádobí i sklenice mají na sobě vrstvu vodního kamene nebo bílý film.	Zásobník soli je prázdný.	Co nejdříve doplňte do zásobníku sůl. Používání spotřebiče bez soli může způsobit poškození vnitřních komponent.
	Nastavení tvrdosti vody je příliš nízké.	Zvyšte hodnoty nastavení (viz <i>TABULKA TVRĐOSTI VODY</i>).
	Uzávěr zásobníku na sůl není správně zavřený.	Překontrolujte a zavřete uzávěr nádržky na sůl.
	Zásobník na leštidlo je prázdný, popřípadě dávkování leštidla není dostatečné.	Doplňte do zásobníku leštidlo a překontrolujte nastavení dávkování (viz <i>DOPLNĚNÍ DÁVKOVAČE LEŠTIDLA</i>).
Myčka zobrazuje kód F8 E5	Ventil je zablokovaný nebo vadný.	Je-li to možné, zavřete vodovodní kohoutek. Nevypínejte napájení. Zavolejte do servisu.



Firemní zásady, standardní dokumentaci, objednávky náhradních dílů a další informace o výrobku získáte:

- Pomocí naskenování QR kódu a návštěvou našeho webu: docs.whirlpool.eu
- Návštěvou našeho webu: parts-selfservice.whirlpool.com
- Případně **kontaktujte náš poprodejní servis** (telefonní číslo najdete v záručním listě). Při kontaktování našeho poprodejního servisu prosím uveďte kódy na identifikačním štítku produktu

Informace o modelu získáte přes QR kód na energetickém štítku. Na štítku rovněž najdete identifikační číslo modelu, které můžete použít k vyhledávání v rejstříku na portálu <https://eprel.ec.europa.eu>.





KÖSZÖNJÜK, HOGY A WHIRLPOOL TERMÉKÉT VÁLASZTOTTA!
Teljes körű támogatásért kérjük, regisztrálja termékét honlapunkon: www.whirlpool.eu/register

A készülék használata előtt olvassa el figyelmesen a Biztonsági és telepítési útmutatót. A termékről további információt a következő weboldalon talál: docs.whirlpool.eu



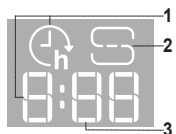
A beszerelést követően ne felejtse el eltávolítani a mosogatógépből a szállításhoz használt védőelemeket.

KEZELŐPANEL



- BE-KI/Újraindítás** gomb és jelzőfény
- Óko program** gomb és jelzőfény
- Gyors program** gomb és jelzőfény/ **Előmosogatás program** - 3 másodperces lenyomás
- Üveg program** gomb és jelzőfény/ **Öntisztítás program** - 3 másodperces lenyomás
- Automatikus programok** gombja jelzőfényekkel – **Auto Intenzív 65° / Auto Vegyes 55° / Auto Gyors 50°**
- Sótartály** üres jelzőfény
- Öblítősértartály** üres jelzőfény
- Kijelző**
- Programszám és hátralévő idő** jelzőfény
- A Vízcsap Zárva Van** jelzőfény
- VÍZKÖMMENTESÍTÉS** jelzőfény
- Extra opciók** gombjai jelzőfényekkel – **Féltöltet / Csendes / Fertőtlenítő öblítés**
- Power Clean® opciógomb** és jelzőfény
- Extra Szárás opciógomb** és jelzőfény/ **Beállítások** - 3 másodperces lenyomás
- Késleltetés opciógomb** és jelzőfény
- INDÍTÁS/Szünet gomb** és jelzőfény

KIJELZÉS A PADLÓN



- Késleltetési idő kijelzése a padlón** - a program kezdetéig hátralévő idő jelzése a Késleltetés opció beállításának esetén
- Sótartály üres** - padlóra vetített jelzőfény
- Hátralévő idő kijelzése a padlón** - a program végéig hátralévő idő jelzése

ELSŐ HASZNÁLAT

BEÁLLÍTÁSOK MENÜ

- Kapcsolja be a készüléket a **BE-KI** (⏻) gombbal.
- Tartsa lenyomva a **Beállítások** (⚙️) (Extra Szárás (☀️)) gombot 3 másodpercig, amíg hangjelzést nem hall, és a kijelzőn megjelenik a „**SET**” üzenet.
- Egy másodperc múlva megjelenik az első rendelkezésre álló beállítás („**h**” betű).
- Nyomja meg a **Automatikus programok** (⏻) / **Extra opciók** (⚙️) gombot a rendelkezésre álló beállítások (lásd a lenti táblázatot) listájának végiggörgetéséhez, majd nyomja meg a **INDÍTÁS/Szünet** (▶️) gombot a kiválasztott beállítás értékének megtekintéséhez és módosításához.
- Nyomja meg a **Automatikus programok** (⏻) / **Extra opciók** (⚙️) gombot az érték módosításához, majd nyomja meg a **INDÍTÁS/Szünet** (▶️) gombot az új érték mentéséhez.
- További beállítások módosításához ismételje meg a 2. és az 5. lépést.
- Nyomja meg az **BE-KI** (⏻) gombot, vagy várjon 30 másodpercet a menüből történő kilépéshez.

BETŰ	BEÁLLÍTÁSOK	ÉRTÉKEK (Alapértelmezett – félkövér)
h	Vízkeménység szintje (lásd „A VÍZKEMÉNYSEG BEÁLLÍTÁSA” és a „VÍZKEMÉNYSEGI TÁBLÁZAT”)	1 2 3 4 5
Ö	Öblítő szintje (lásd: „A VÍZKEMÉNYSEG BEÁLLÍTÁSA”)	0 1 2 3 4 5
N	NaturalDry (lásd: „OPCIÓK ÉS FUNKCIÓK”) „1” = Be, „0” = Ki	1 0
P	Padlóra vetített idő (lásd: „OPCIÓK ÉS FUNKCIÓK”) „1” = Be, „0” = Ki	1 0
H	Hang „1” = Be, „0” = Ki	1 0
G	Gyári beállítások Nyomja meg a INDÍTÁS/Szünet gombot a Beállítások menüben található beállítások értékének gyári alapértékre történő visszaállításához.	-

A SÓTARTÁLY FELTÖLTÉSE

Só használatával elkerülhető, hogy VÍZKŐ képződjön az edényeken és a gép funkcionális alkatrészein.

A sótartály a mosogatógép alsó részén található (a bal oldali alsó kosár alatt).

- Feltétlenül szükséges, hogy a **sótartály soha ne legyen üres.**
- Fontos, hogy a víz keménység be legyen állítva.
- Ha a **SÓ UTÁNTÖLTÉSE** jelzőfény (☀️) világít a kezelőpanelen, só kell betölteni.



- Vegye ki az alsó kosarat, és csavarja ki a tartály kupakját (az óramutató járásával ellentétes irányba).
- Helyezze be a tölcserít (lásd az ábrát), és töltsse fel teljesen a sótartályt (ehhez kb. 0,5 kg só szükséges). Előfordulhat, hogy egy kevés víz kifolyik a rekeszből.
- Csak a legelső használatkor: töltsse fel vízzel a sótartályt!**

- Vegye ki a tölcserít, és törölje le az esetlegesen kiszóródott sót a nyílás környékéről.

Zárja vissza szorosan a kupakot úgy, hogy a mosogatási program során ne kerülhessen mosogatószer a tartályba (ellenkező esetben a vízlágyító helyrehozhatatlanul károsodhat).

A korrózió megelőzése érdekében a só betöltését követően mindig futtasson egy programot.

A víz keménység beállítása

A vízlágyító akkor működik tökéletesen, ha a víz keménységet a lakóhelyén elérhető víz tényleges keménysége alapján állítja be. Ezzel kapcsolatban érdeklődjön a helyi vízműveknél. A gyári beállítás a közepes „**3**” víz keménység. Lásd „VÍZKEMÉNYSEGI TÁBLÁZAT”.

A módosításhoz kövesse a „BEÁLLÍTÁSOK MENÜ” részben leírt utasításokat.

Szint	Víz keménységi táblázat		
	°dH Német rendszer	°fH Francia rendszer	°Clark Angol rendszer
1 (lágy)	0 - 6	0 - 10	0 - 7
2 (közepes)	7 - 11	11 - 20	8 - 14
3 (átlagos)	12 - 16	21 - 29	15 - 20
4 (kemény)	17 - 34	30 - 60	21 - 42
5 (nagyon kemény)	35 - 50	61 - 90	43 - 62

Kizárólag mosogatógépekhez készült só használjon.

Miután sóntöltött a készülékbe, a „**SÓ UTÁNTÖLTÉSE**” jelzőfény kialszik.

Ha nem tölti fel a sótartályt, a vízlágyító és a fűtőelem a vízkő felhalmozódása miatt károsodhat.

Só használata bármilyen mosogatószer mellett ajánlott.

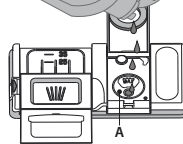
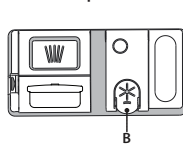
VÍZLÁGYÍTÓ RENDSZER

A vízlágyító rendszer automatikusan csökkenti a víz keménységét, így megelőzve a vízkő felhalmozódását a fűtőszálon, így jobb mosogatósi hatékonyságot biztosítva. **A rendszer sóval regenerálja magát, ezért a sótartály kiürülés esetén fel kell tölteni.** A regenerálás gyakorisága a víz keménység szintjének beállításától függ - a regenerálás **4-6** Eco ciklusként történik meg **3**-ra állított víz keménység szinttel. A regenerációs folyamat a ciklus elején további friss víz hozzáadásával történik.

- Egyetlen regenerálás során a készülék: ~3 l vizet használ fel;
- A program 5 perccel tovább tart;
- Kevesebb, mint 0,005 kWh energiát használ fel.

AZ ÖBLÍTŐSZER-ADAGOLÓ FELTÖLTÉSE

Az öblítőszerrel könnyebben SZÁRADNAK az edények. Az öblítőszeradagoló **A** akkor kell feltölteni, ha az **ÖBLÍTŐSZER UTÁNTÖLTÉSE** jelzőfény (☀️) világít a kezelőpanelen.



- Nyissa ki az adagolót **B** úgy, hogy a fedélen lévő fület lenyomja, majd felfelé húzza.
- Óvatosan öntsse be az öblítőszer. Ne lépje túl a tartályban jelölt maximális mennyiséget (110 ml), és ne öntse ki a folyadékot.

Ha ez mégis megtörténik, azonnal törölje fel a kiömlött folyadékot egy száraz ruhával.

- Csukja vissza a fedelet: ehhez nyomja le, amíg kattánás nem hallatszik. **SOHA ne öntse az öblítőszer közvetlenül a mosogatóterbe.**

Az öblítőszer adagolása

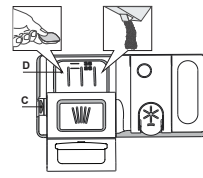
Ha nem elégedett a szárítási eredménnyel, módosítsa a használt öblítőszer mennyiségét.

Ha az öblítőszer szintjét 0-ra állítja, a készülék nem adagol öblítőszeret. Az **ÖBLÍTŐSZER UTÁNTÖLTÉSE** jelzőfény nem fog kigyulladni, amikor kifogy az öblítőszer. A mosogatógép típusától függően legfeljebb 6 szint állítható be.

- Ha kékes csíkok jelennek meg az edényeken, alacsony értéket állítson be (0-3).
- Ha vízcseppek vagy vízkő látható az edényeken, magas értéket állítson be (4-5).

A MOSOGATÓSZER-ADAGOLÓ FELTÖLTÉSE

A mosogatószer-adagoló nyitására használja az **C** eszközt. A mosogatószer kizárólag a száraz **D** adagolóba önthető. Az előmosogatáshoz használt mosogatószert közvetlenül a mosogatótérbe helyezze.



1. A mosogatószer kimérésekor a helyes mennyiség meghatározását az eddigi információk alapján végezze. A mosogatószer-adagoló **D** belsejében elhelyezett jelzések segítenek a megfelelő mennyiség meghatározásában.
2. Törölje le a kiömlött mosogatószert az adagoló széléből, majd zárja vissza a fedelet kattanásig.
3. Zárja vissza a mosogatószer-adagoló fedelét: húzza felfelé, amíg a zárszerkezet rögzül.

A mosogatószer-adagoló automatikusan kinyílik, amikor a program az adott szakaszba ér.

A nem mosogatógéphez készült mosogatószer használata a készülék hibás működését vagy sérülését okozhatja.

MINDENNAPI HASZNÁLAT

1. ELLENŐRIZZE A VÍZBEKÖTÉST

Ellenőrizze, hogy a mosogatógép rá van-e kötve a vízhálózatra, és hogy a csap nyitva van-e.

2. KAPCSOLJA BE A MOSOGATÓGÉPET

Nyissa ki az ajtót, és nyomja meg az **BE/KI** gombot.

3. A KOSARAK MEGTÖLTÉSE (lásd: A KOSARAK MEGTÖLTÉSE).

4. A MOSOGATÓSZER-ADAGOLÓ FELTÖLTÉSE

5. A PROGRAM KIVÁLASZTÁSA ÉS A CIKLUS BEÁLLÍTÁSA

Válassza ki az edények típusának és szennyezettségi fokának legmegfelelőbb programot (lásd **PROGRAMOK ISMERTETÉSE**) az ahhoz tartozó **PROGRAM** gombbal.

Válassza ki a kívánt opciókat (lásd **OPCIÓK ÉS FUNKCIÓK**). Nem minden opció kompatibilis minden programmal.

6. INDÍTÁS

Indítsa el a mosogatósi programot: ehhez nyomja meg a **INDÍTÁS/Szünet** gombot (a LED világít), és 4 mp-en belül csukja be az ajtót. A program indulásakor egy sípolás hallatszik. Ha az ajtót nem csukja be 4 másodpercen belül, riasztás hallható. Ilyen esetben nyissa ki az ajtót, nyomja meg a **INDÍTÁS/Szünet** gombot, majd csukja vissza az ajtót 4 mp-en belül.

7. A MOSOGATÁSI CIKLUS VÉGE

A mosogatósi ciklus végén hangjelzés hallható, illetve a kijelzőn az **END (VÉGE)** üzenet jelenik meg. Nyissa ki az ajtót, és kapcsolja ki a készüléket az **BE/KI** gombbal.

Az égési sérülések elkerülése érdekében az edények kipakolása előtt várjon néhány percet. Vegye ki az edényeket. Először az alsó kosarat ürítse ki.

FOLYAMATBAN LÉVŐ PROGRAM MÓDOSÍTÁSA

Ha nem megfelelő programot választott, az közvetlenül az indulás után még módosítható. **Újraindítás** a készüléket: nyomja meg és tartsa lenyomva 3 mp-nél hosszabban az **BE/KI** gombot, ekkor a készülék kikapcsol. **A kijelzőn a „0:01” érték látható.** Csukja be az ajtót, és várjon, amíg a leeresztési ciklus véget ér (kb. 1 perc). Nyissa ki az ajtót, és kapcsolja vissza a készüléket az **BE/KI** gombbal, majd válassza ki az új mosogatósi programot és a kívánt opciókat. A program indításához nyomja meg a **INDÍTÁS/Szünet** gombot, és 4 mp-en belül csukja be az ajtót.

TOVÁBBI EDÉNYEK HOZZÁADÁSA

A készülék kikapcsolása nélkül nyissa ki az ajtót óvatosan, hogy ne folyhasson ki a víz (a **INDÍTÁS/Szünet** LED villogni kezd) (**Vigyázat: Forró gőz!**), majd helyezze be az edényeket a mosogatógépbe. Nyomja meg a **INDÍTÁS/Szünet** gombot, és 4 mp-en belül csukja be az ajtót: a program onnan folytatódik, ahol korábban megszakította azt.

VÉLETLEN MEGSZAKÍTÁS

Ha a mosogatósi program futása közben kinyitják az ajtót, vagy elmegey az áram, a program leáll. **AMENNYIBEN MEGNYOMJA** a **INDÍTÁS/Szünet** gombot és 4 mp-en belül becsukja az ajtót, a program onnan folytatódik, ahol korábban megszakította azt.

TANÁCSOK ÉS TIPPEK

TANÁCSOK

A kosarak megtöltése előtt távolítsa el az ételmaradékokat az edényekről, és ürítse ki a poharakat. **Mosogatás előtt nem szükséges folyó vízzel leöblíteni az edényeket.**

Az edényeket úgy rendezze el, hogy biztosan álljanak, ne dőljenek el könnyen. Az edények nyílása lefelé nézzen, és a homorú/domború részek ferdén álljanak, hogy a víz mindenhol elérjen, és akadálytalanul folyhasson.

Vigyázat! A fedők, fogantyúk, tálak és serpenyők nem állítják meg a forgó szűrőkarokat.

A kisebb tárgyakat az evőeszközosárba helyezze. Az erősen szennyezett edényeket az alsó kosárba kell helyezni, mivel ott erősebb a vízpermet, azaz jobb a mosogatósi eredmény. A készülék megtöltése után ellenőrizze, hogy a szűrőkarok forgását nem akadályozza-e valami.

GÉPBE NEM MOSOGATHATÓ EDÉNYEK

- Fából készült edények és evőeszközök.
 - Kényes, díszes poharak, kézműves és antik edények. Ezek a díszítések nem bírják a gépi mosogatóst.
 - Szintetikus anyagból készült részek, amelyek nem bírják a magas hőmérsékletet.
 - Réz- és bádgedények.
 - Hamuval, viasszal, kenőzsírral vagy tintával szennyezett edények.
- A poharakon lévő díszítés és az alumínium- vagy ezüstedények színe megváltozhat, kifakulhat a mosogatósi során. Egyes üvegtípusok (pl. kristályüveg) néhány mosogatósi ciklus után homályossá válhatnak.

A POHARAK ÉS AZ EDÉNYEK KÁROSODÁSA

- A készülékbe kizárólag olyan üveg- és porcelánedények helyezhetők, amelyek a gyártó állítása szerint mosogatógépben mosogathatók.
- Az edényekhez megfelelő, kímélő mosogatószert használjon.
- Az edényeket és az evőeszközöket a mosogatósi ciklus végeztével azonnal vegye ki a mosogatógépéből.

A POHARAK ÉS AZ EDÉNYEK KÁROSODÁSA

- Ha a háztartási mosogatógépet a gyártó utasításainak megfelelően használják, az edények mosogatógépben történő mosogatása általában **KEVESEBB ENERGIÁT és vizet igényel, mint a kézi mosogatás.**
- A mosogatógép hatékonyságának maximalizálásához javasolt a **mosogatósi programot a mosogatógép teljes betöltése után indítani.** Ha a háztartási mosogatógépet a gyártó által jelzett kapacitásig tölti fel, azzal energiát és vizet takaríthat meg. Az edények helyes betöltésével kapcsolatos információt a **KOSARAK MEGRAKODÁSA** című fejezetben talál. Részleges betöltés esetén javasolt a megfelelő mosogatósi beállítást (Fél töltet / Zónamosogatás / Multizone) használni, ha lehetséges, csak a kijelölt kosarakat használva. A mosogatógép helytelen betöltése vagy túltöltése fokozhatja az erőforrások (például víz, energia és idő) felhasználását, megnövelheti a zajszintet, és csökkentheti a mosogatósi és szárítási teljesítményt.
- Az edények manuális előöblítése megnövekedett víz- és energiafogyasztást eredményezhet, és nem javasolt.

HIGIÉNYIA

A mosogatógépben keletkező kellemetlen szag és lerakódások elkerülése érdekében legalább havonta egyszer futtasson le egy magas hőmérsékletű programot. Használjon egy teáskanál mosogatószert, és a készülék tisztításához futtassa le a programot edények nélkül.

FAGYTÜRÉS

Ha a készüléket fagynak kitett helyen tárolják, **teljesen le kell eresztetni.** Zárja el a vízcsapot, vegye le a be- és kimeneti tömlőket, és engedje le teljesen a vizet. **Ellenőrizze, hogy a sótartályban lévő vízlágyító biztosan tele van-e oldott regenerálósóval:** így védhető meg a készülék a -20 °C-nál hidegebb hőmérséklettől. Ha a készüléket fagyos körülmények között tárolták, az első indítás előtt **legalább 24 órára** min. 5 °C-os környezeti hőmérsékletre kell helyezni.

PROGRAMTÁBLÁZAT

Program	A programok bemutatása	Száritási fázis	NaturalDry	Választható beállítások *)	A mosogatósi program időtartama (óra:perc)**	Vízfogyasztás (liter/ciklus)	Energiafogyasztás (kWh/ciklus)
Eco	Öko 50° - Az energiatakarékos programmal átlagosan szennyezett edényeket tisztíthat, amely a kombinált energia- és vízfogyasztása miatt a leghatékonyabb program, és a segítségével kiértékelhető, hogy a készülék megfelel-e az EU energiatakarékos kivitelre vonatkozó jogszabályának.	✓	✓		3:30	9,5	0,76
Gyors	Gyors 45° - Ez a program olyan kevés és enyhén szennyezett edényekhez használható, amelyek nem található rászáradt étel. Nem tartalmaz szárítási szakaszt.	-	✓		0:30 - 0:40	10,0 - 12,0	0,55 - 0,65
Üveg	Üveg 45° - Program az olyan kényes edényekhez, melyek az átlagnál érzékenyebbek a magas hőmérsékletre.	✓	✓		1:40 - 1:50	12,5 - 16,5	0,95 - 1,20
Auto Intenzív	Auto Intenzív 65° - Erősen szennyezett edények és serpenyők mosogatásához.	✓	✓		2:25 - 3:10	15,5 - 24,5	1,30 - 1,70
Auto Vegyes	Auto Vegyes 55° - Automatikus program normál szennyezettségű edényekhez, melyeken rászáradt ételmaradék található.	✓	✓		1:20 - 3:00	7,5 - 19,5	0,75 - 1,20
Auto Gyors	Auto Gyors 50° - Automatikus program normál és enyhe szennyezettségű edényekhez. Mindennap használható program, amely rövidebb idő alatt is optimális mosogatósi és szárítási eredményt nyújt.	✓	✓		1:00 - 1:50	7,5 - 15,5	0,70 - 1,10
Elmosogatás	Elmosogatás - Ezt a programot olyan edényekhez használhatja, amelyeket később szeretne elmosogatni. Ehhez a programhoz nem kell mosogatószert használni.	-	✓		0:12	4,5	0,10
Öntisztítás	Öntisztítás 65° - A mosogatógép karbantartására szolgáló programot csak akkor alkalmazza, ha a mosogatógép ÜRES, valamint használjon a mosogatógép karbantartására alkalmas, speciális tisztítószert.	-	-		1:15	11,0	1,10

Az ÖKO program adatainak mérése laboratóriumi körülmények között, az EN 60436:2020 európai szabvány előírásainak megfelelően történt.

Megjegyzés a vizsgálat laboratóriumok számára: az EN összehasonlító vizsgálatának körülményeivel kapcsolatos információkért írjon a következő címre: dw_test_support@whirlpool.com. Az edények előkezelése egyik programnál sem szükséges.

*) Nem minden opció használható egyszerre.

**) Az energiatakarékos programtól eltérő programokhoz megadott értékek csak tájékoztató jellegűek. A tényleges időtartam számos tényezőtől függ, mint például a belépő víz hőmérsékletétől és nyomásától, a helyiség hőmérsékletétől, a mosogatószer mennyiségétől, az edények mennyiségétől és típusától, a súlyelosztástól, a kiválasztott kiegészítő funkcióktól és az érzékelő kalibrációjától. Az érzékelő kalibrációja akár 20 perccel is növelheti a program hosszát.

OPCIÓK ÉS FUNKCIÓK

Az OPCIÓK a program kiválasztása után kiválaszthatók/törölhetők a megfelelő gomb megnyomásával (ha van – kigyullad a jelzőfény) (lásd KEZELŐPANEL). Ha valamely opció nem kompatibilis a kiválasztott programmal (lásd: PROGRAMOK TÁBLÁZATA), a megfelelő LED háromszor gyorsan felvilágít, és sípoló hangjelzések hallhatók. Az opció nem aktív. Az opciók a program időtartamának, illetve víz- és energiafogyasztásának módosítására szolgálnak.

FÉL TÖLTET - Ha nincs sok mosogatnivaló, akkor a víz, az áram és a mosogatószert megtakarítása érdekében használja a FÉL TÖLTET opciót. Ne feledje, hogy ilyenkor csökkentett mennyiségű mosogatószert kell használni.

HALK - A készülék éjszakai működéséhez használatos. Ezzel az opcióval mérsékelhető a zajkibocsátás a mosási szakaszokban. A kiválasztott alapciklustól függően növelheti a program időtartamát.

FERTŐTLENÍTŐ ÖBLÍTÉS Ez az opció az elmosogatott edények fertőtlenítésére használható. Növeli az utolsó öblítés hőmérsékletét, és antibakteriális mosogatóval egészíti ki a kiválasztott programot. Ideális edények és cumisüveg mosogatásához. A baktériumok elpusztítása érdekében a mosogatógép ajtaját a program teljes időtartama alatt zárva kell tartani.

VIGYÁZAT! A ciklus végén az edények és táányérok rendkívül forróak lehetnek!

POWER CLEAN® - Mivel ez a program további szórófejeket is aktivál, a mosogatás az alsó kosár egy bizonyos területén jóval erőteljesebb. Ez az opció lábasok és tálak mosogatásához ajánlott (Lásd a Power Clean® betöltése részt).

EXTRA SZÁRAZ - Ha az utolsó öblítés magasabb hőmérsékleten történik és a szárítás hosszabb ideig tart, azzal növelhető a szárítás hatékonysága. Az EXTRA SZÁRAZ opció kiválasztásakor nő a mosogatósi ciklus hossza.

KÉSLELTETÉS - A program indítását 30 perctől 24 óráig terjedő időtartamig késleltetheti.

- Válassza ki a programot és a tetszőleges opciókat. A program indításának késleltetéséhez nyomja meg (többször) a KÉSLELTETÉS gombot. 30 perc és 24 óra közötti időtartam állítható be. Amikor a 24 órás időtartamot eléri, nyomja meg még egyszer a KÉSLELTETÉS gombot a KÉSLELTETÉS funkció kikapcsolásához.
- Nyomja meg a INDÍTÁS/Szünet gombot, és zárja be az ajtót 4 másodpercen belül. Az időzítő elkezd a visszaszámlálást.
- A beállított idő leteltekor kialszik a jelzőfény, és automatikusan elindul a program.

KÉSLELTETÉS funkció nem állítható be, ha a program már fut.

PADLÓRA VETÍTETT IDŐ - A padlóra vetített LED-fény jelzi a program végéig hátralévő időt. Az ajtó nyitásokor a fény kialszik. Egy program végén a fény kialszik. Ez a funkció alapértelmezés szerint aktív, de a „BEÁLLÍTÁSOK MENÜ” ki lehet kapcsolni.

VÍZKÖMENTESÍTÉS - Riasztás - A készülék belső alkatrészein vízkőlerakódás érzékelhető. **Ellenőrizze**, hogy a vízkeménység beállítása megfelelő értékű-e, és hogy a sőtartályban van-e só (lásd ELSŐ HASZNÁLAT), majd használja a **vízkezelő terméket** (a WPro márka javasolt) **Öntisztítás programmal**. Sikeres vízkömentesítés után az ikon eltűnik. Ha nem hajtja végre a fenti műveleteket, a készülék teljesítménye csökkenni fog. A kijelzőn villogni kezd a **Vízkömentesítés** figyelmeztetés, és megjelenik a «DES» riasztás. Ha továbbra sem végzi el a vízkömentesítést, a készülék csak bizonyos számú ciklus indítását fogja engedélyezni (a «DES» riasztással együtt jelenik meg), majd **BLOKKOLVA** lesz az alkatrészek sérülésének megelőzése érdekében, és csak az **Öntisztítás program lesz használható**. A teljes vízkömentesítés végrehajtásával feloldja a készülék blokkolását. Ha rendkívül nagy mennyiségű vízkő rakódott le, előfordulhat, hogy a vízkömentesítést kétszer kell végrehajtani a megfelelő hatékonyság érdekében.

NaturalDry - Olyan konvekciós szárítórendszer, amely automatikusan kinyitja az ajtót a szárítási fázis közben/után a folyamatos, kiemelkedően jó szárítási eredmény érdekében. Az ajtó csak olyan hőmérsékleten nyílik ki, amely nem károsítja a konyhaszkeznélket, tehát a FERTŐTLENÍTŐ ÖBLÍTÉS funkció során az ajtó nem fog kinyílni.

A gőz ellen további védelmet nyújt a mosogatógéphez mellékelt, külön erre a célra tervezett védőfólia.

A védőfólia felhelyezésének lépéseit az ÜZEMBE HELYEZÉSI ÚTMUTATÓBAN találja. Ez a funkció alapértelmezés szerint aktív, de a „BEÁLLÍTÁSOK MENÜ” ki lehet kapcsolni.

ÉRZÉKELÉS - Miközben az érzékelő a szennyezettség fokát méri, animáció látható a kijelzőn (kb. 20 percig), és a program időtartama frissül. Az érzékelő funkció az edények szennyezettségi mértékének meghatározására szolgál, és minden programnál használható (az Öko kivételével): a szükséges mértékben módosítja a programot.

A VÍZCSAP ZÁRVA VAN - A figyelmeztetés villog, ha nincs belépő víz, vagy el van zárva a vízcsap.

A KOSARAK MEGTÖLTÉSE

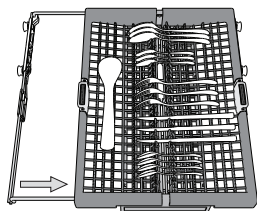
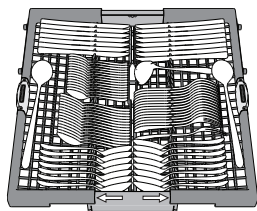
KAPACITÁS: 15 standard étkezéslet

EVŐESZKÖZTARTÓ

A harmadik kosár az evőeszközök bepakolására szolgál. Az evőeszközöket az ábrán látható módon helyezze el. A külön gyűjtött evőeszközök a mosogatás után könnyebben kivehetők, valamint így a mosogatási és szárítási eredmény is javul.

A késeket és egyéb éles eszközöket élükkel lefelé rakja a kosárba. A kosarat mindig az alsó kosár elejére helyezze.

Az evőeszközkosárban található két állítható magasságú rekesz, melyek segítségével kihasználható a rendelkezésre álló alsó tér, és magasabb edények helyezhetők a felső kosárba.

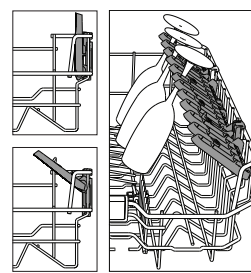


Állítható magasságú lehajtható polcok

A kosárban lévő edények optimális elrendezése érdekében az oldalsó polcok fel- és lehajthatók. A borospoharak biztonságosan helyezhetők a lehajtható polcokra: a poharak talpát illesse a megfelelő nyílásokba.

Készüléktypustól függően:

- a polcok lehajtásához csúsztassa azokat fel és forgassa el, vagy vegye ki a rögzítőkből és húzza lefelé.
- a polcok felhajtásához forgassa azokat el és csúsztassa lefelé, vagy húzza felfelé és rögzítse.

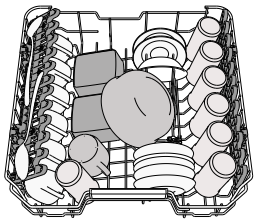


FELSŐ KOSÁR

Ide helyezhetők a kényesebb és könnyű edények, például poharak, csészék, tálkák, kis salátástálak.

A felső kosár lehajtható tartóelemekkel rendelkezik: függőleges helyzetbe állítva csészéjüket, kistányérokat, leengedett helyzetbe állítva pedig tálakat, ételtartókat pakolhat be.

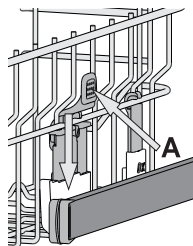
(példa a megtöltött felső kosárra)



A felső kosár magasságának beállítása

A felső kosár magassága állítható. Ha a felső állásba állítja, az alsó kosárba nagyobb edények helyezhetők; ha az alsó állásba állítja, maximálisan kihasználhatók a lehajtható rögzítőelemek: függőlegesen több hely áll rendelkezésre, és az alsó kosárba pakolt edényeknek is elegendő hely jut.

A felső kosár magasságbeállítóval rendelkezik (lásd az ábrát). Magasabbra állításához fogja meg a kosár két oldalát, és az emelőkarok megnyomása nélkül emelje azt feljebb. A kosár a felső helyzetbe áll. Az alsó helyzetbe állításához nyomja meg a kosár két oldalán lévő emelőkarokat A, és tolja lefelé a kosarat.



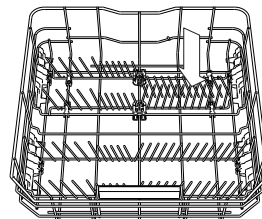
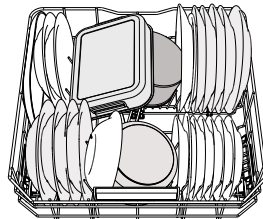
Kifejezetten javasoljuk, hogy ne módosítsa a kosár magasságát akkor, amikor a kosárban edények találhatók.

A kosár lejjebb vagy feljebb helyezésekor SOHA ne csak az egyik oldal magasságát módosítsa.

ALSÓ KOSÁR

Ide fazekak, fedők, tányérok, salátástálak, evőeszközök stb. pakolhatók. A nagyobb tányérokat és fedőket lehetőség szerint a kosár szélére helyezze, hogy biztosan ne érjenek a szórókarokhoz.

Az alsó kosár lehajtható tartóelemekkel rendelkezik: függőleges helyzetbe állítva tányérokat, vízszintes (leengedett) helyzetbe állítva pedig tálakat, lábasokat pakolhat be egyszerűen.



(példa a megtöltött alsó kosárra)

POWER CLEAN®

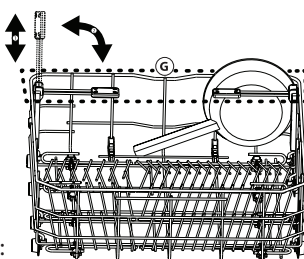
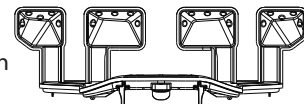
A Power Clean® során a készülék a mosogatótér hátsó része felől érkező vízsugarak segítségével intenzívebben mossa el az erősen szennyezett edényeket. Az alsó kosárban található egy ún nagyterületű zóna (Power Clean® támogatás).

Ez a speciális, kihúzható tartóelem a kosár hátsó részén található, és lehetővé teszi a serpenyők és tepsik függőleges helyzetben történő elhelyezését, amivel hely takarítható meg.

Helyezze be a gépbe a fazekakat/tálakat úgy, hogy a Power Clean® berendezés felé nézzenek, majd kapcsolja be a kezelőpanelen a POWER CLEAN® opciót.

A Power Clean® funkció használata:

1. Készítse elő a Power Clean® területet (G): hajtsa le a hátsó tányértartókat, hogy beférjenek az edények.
2. Tegye be a fazekakat és a tálakat úgy, hogy a Power Clean® terület felé dőljenek. A fazekakat a nagynyomású vízsugarak felé kell megdönteni.



ÁPOLÁS ÉS KARBANTARTÁS

A SZŰRŐEGYSÉG TISZTÍTÁSA

Rendszeresen tisztítsa ki a szűrőegységet, így megelőzhető a szűrők el-tömődése, és a víz szabadon tud távozni.

Ha a mosogatógép használata során a szűrők el vannak tömődve, illetve ha a szűrőrendszerben vagy a szórókarokban tárgyak vannak, az a berendezés nem megfelelő működését okozhatja, ami a teljesítmény csökkenését, zajos működést vagy nagyobb erőforrás-felhasználást eredményezhet.

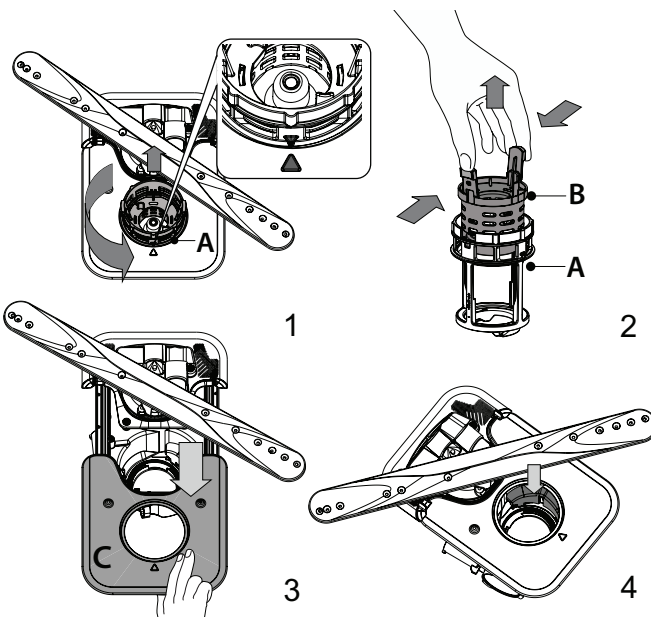
A szűrőegység három szűrőből áll, amelyek eltávolítják az ételmaradékokat a mosogatóvízből, majd visszaforgatják a vizet.

A mosogatógép nem használható szűrők nélkül vagy meglazult szűrővel.

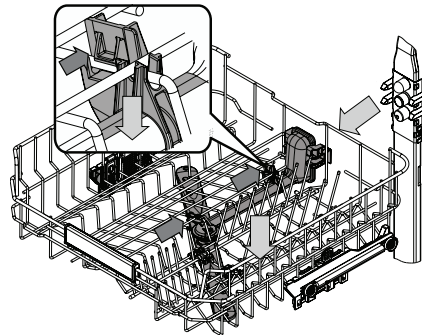
Havonta legalább egyszer vagy 30 programonként ellenőrizze a szűrőegységet, és szükség esetén tisztítsa meg alaposan folyó víz alatt, nemfémes kefével, az alábbi utasításoknak megfelelően:

1. Forgassa a henger alakú szűrőt A az óramutató járásával ellentétes irányba, majd húzza ki (1. ábra). **A szűrő visszahelyezésekor fontos, hogy a képen lévő két háromszög pontosan illeszkedjen.**
2. Vegye ki a kehely alakú szűrőt B úgy, hogy enyhén megnyomja az oldalsó füleket (2. ábra).
3. Csúsztassa ki a rozsdamentes acélból készült szűrőlemezt C (3. ábra).
4. Ha idegen tárgyat (például törött üveget, porcelánt, csontot, gyümölcsmagot stb.) talál, **óvatosan távolítsa el azt.**
5. Ellenőrizze a szűrőrészt, és távolítsa el az ételmaradékokat. **SOHA NE TÁVOLÍTSA EL a mosogatóciklust végző pumpa védőfedelét (nyíl jelzi) (4. ábra)!.**

A szűrők tisztítása után helyezze vissza a szűrőegységet, és rögzítse megfelelően a helyére. Ez elengedhetetlen a mosogatógép hatékony működéséhez.

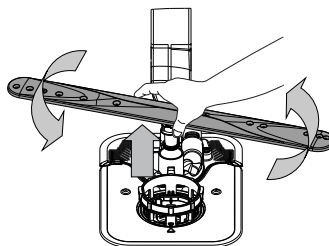


A SZÓRÓKAROK TISZTÍTÁSA

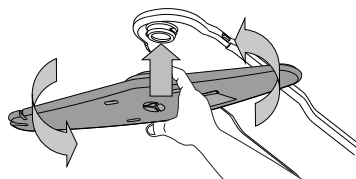


Időnként ételmaradék száradhat a szórókarokra, és eltömítheti a víz permevezésére szolgáló nyílásokat. Ezért javasoljuk, hogy rendszeresen ellenőrizze a szórókarokat, és tisztítsa meg azokat egy kisméretű, nem-fémes kefével.

A felső szórókar az elosztóval együtt vehető le.



Az alsó szórókart felfelé húzva és az óramutató járásával ellentétes irányba elforgatva lehet kivenni a helyéről. A szórókart lefelé húzva és az óramutató járásával megegyező irányba elforgatva lehet visszaszerelni.



A felső szórókart felfelé nyomva és az óramutató járásával ellentétes irányba elforgatva lehet kivenni a helyéről. A szórókart felfelé húzva és az óramutató járásával megegyező irányba elforgatva lehet visszaszerelni.

HIBAELHÁRÍTÁS

Ha a mosogatógép nem megfelelően működik, ellenőrizze, hogy a probléma javítható-e az alábbi lista lépéseinek végrehajtásával. Más hibák vagy problémák esetében lépjen kapcsolatba a hivatalos vevőszolgálattal, amelynek kapcsolattartási adatai a garanciafüzetben található. A pótalkatrészek akár 7, akár 10 évig is rendelkezésre állnak, az adott rendelet követelményeinek megfelelően.

HIBA	LEHETSÉGES OK	MEGOLDÁS
A sómennyiségre figyelmeztető jelzőfény világít.	A sótartály hamarosan kiürül.	Töltse fel a tartályt sóval (további információ: lásd A SÓTARTÁLY FELTÖLTÉSE). Szükség esetén ellenőrizze a beállított vízkeménységet (lásd VÍZKEMÉNYSÉGI TÁBLÁZAT).
A sómennyiségre figyelmeztető jelzőfény villog.	A sótartály üres.	Minél hamarabb töltse fel a tartályt sóval. A készülék só nélkül történő használata károsíthatja annak belső alkatrészeit.
Az öblítőszer mennyiségére figyelmeztető jelzőfény világít vagy villog.	Az öblítőszer-adagoló üres. (Előfordulhat, hogy az öblítőszer mennyiségére figyelmeztető jelzőfény feltöltés után is világít egy rövid ideig).	Töltse fel a tartályt öblítőszerrel (további információ: - lásd AZ ÖBLÍTŐSZER-ADAGOLÓ FELTÖLTÉSE).
A vízkömentesítésre figyelmeztető jelzőfény világít vagy villog; a „dES” figyelmeztetés látható a kijelzőn.	A készülék belső alkatrészei vízkövesednek.	Azonnal vízkömentesítse a készüléket az Öntisztítás programmal és a kereskedelmi forgalomban kapható vízkömentesítő szerrel (lásd OPCÍOK ÉS FUNKCIÓK). Töltse fel a tartályt sóval. Ellenőrizze a vízkeménységre vonatkozó beállítást. Ha nem végez vízkömentesítést, a készülék le fog állni.
A mosogatógép nem indul vagy nem reagál a parancsokra.	Nem megfelelően csatlakoztatta a készüléket.	Csatlakoztassa a dugót a hálózati aljzatba.
	Áramkimaradás.	Biztonsági okokból a mosogatógép nem indul újra automatikusan az áramellátás helyreállásakor. Nyissa ki a mosogatógép ajtaját, nyomja meg a INDÍTÁS/Szünet gombot, majd 4 másodpercen belül csukja be az ajtót.
	Nincs bezárva a mosogatógép ajtaja. Nincs bepattintva az NaturalDry fül.	Erőteljesen nyomja be az ajtót, amíg kattantást nem hall.
	A program megszakadt, mivel az ajtót 4 mp-nél hosszabban nyitva tartották.	Nyomja meg a INDÍTÁS/Szünet gombot, és csukja be az ajtót 4 mp-en belül.
A mosogatógép nem ereszt le a vizet. A kijelzőn látható érték: F7 E3 vagy F9 E1	Az ételmaradék vagy vízkő eltömítette a szűrőt.	Tisztítsa ki a szűrőt, és vízkömentesítse a készüléket (lásd A SZŰRŐEGYSÉG TISZTÍTÁSA és VÍZKÖMENTESÍTÉSI ÚTMUTATÓ).
	Meghajlott a leeresztő tömlő.	Ellenőrizze a leeresztőtömlőt (lásd BESZERELÉSI ÚTMUTATÓ).
	Eltömődött a mosogató lefolyócsöve.	Tisztítsa meg a mosogató lefolyócsövét.
A mosogatógép túl hangosan működik.	Az edények egymáshoz ütődnek.	Megfelelően helyezze be az edényeket (lásd A KOSARAK MEGTÖLTÉSE).
	Túl sok hab képződött.	Nem megfelelően mérte ki a mosogatószert, vagy az nem használható mosogatógépben (lásd A MOSOGATÓSZER-ADAGOLÓ FELTÖLTÉSE). Indítsa el újra az aktuális programot az BE-KI gombbal, majd kapcsolja be ismét a készüléket, válasszon egy új programot, nyomja meg a INDÍTÁS/Szünet gombot, és csukja be az ajtót 4 másodpercen belül. Ne töltsön bele mosogatószert.
	Nem megfelelően rendezte el az edényeket.	Rendezze el megfelelően az edényeket (lásd A KOSARAK MEGTÖLTÉSE).
Az edények nem tiszták.	Az ételmaradék vagy vízkő eltömítette a szűrőt.	Tisztítsa ki a szűrőegységet (lásd ÁPOLÁS ÉS KARBANTARTÁS).
	Nem megfelelően rendezte el az edényeket.	Rendezze el megfelelően az edényeket (lásd A KOSARAK MEGTÖLTÉSE).
	A szórókarok nem forognak szabadon, mivel az edények útban vannak.	Rendezze el megfelelően az edényeket (lásd A KOSARAK MEGTÖLTÉSE). Ellenőrizze, hogy megfelelő-e a felső kosár helyzete, és szükség esetén igazítsa meg (emelje meg).
	A mosogatási ciklus túlzottan kímélő.	Válasszon megfelelő mosogatási programot (lásd PROGRAMTÁBLÁZAT).
	Túl sok hab képződött.	Nem megfelelően mérte ki a mosogatószert, vagy az nem használható mosogatógépben (lásd A MOSOGATÓSZER-ADAGOLÓ FELTÖLTÉSE).
	Nem megfelelően zárta vissza az öblítőszer rekeszének fedelét.	Zárja vissza az öblítőszer-adagoló kupakját.
Az ételmaradék vagy vízkő eltömítette a szűrőt.	Tisztítsa ki a szűrőt, és vízkömentesítse a készüléket (lásd A SZŰRŐEGYSÉG TISZTÍTÁSA).	
A sótartály üres.	Töltse fel a tartályt (lásd A SÓTARTÁLY FELTÖLTÉSE).	

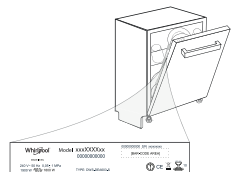
HIBA	LEHETSÉGES OK	MEGOLDÁS
A készülék nem vesz fel vizet. A kijelzőn látható érték: világító H2O ; hangjelzés hallatszik.	Nem jön víz a vízvezetékéből, vagy el van zárva a vízcsap.	Ellenőrizze, hogy jön-e víz a vízvezetékéből, és a vízcsap nyitva van-e.
	Meghajlott a vízbevezető tömlő.	Ellenőrizze a vízbevezető tömlőt (lásd BESZERELÉS). Nyissa ki a mosogatógép ajtaját, nyomja meg a INDÍTÁS/Szünet gombot, majd 4 másodpercen belül csukja be az ajtót.
	Eltömődött a vízbevezető tömlőben lévő szűrő. Ki kell tisztítani.	Ellenőrizze és tisztítsa ki a vízbevezető tömlőben lévő szűrőt. Nyissa ki a mosogatógép ajtaját, nyomja meg a INDÍTÁS/Szünet gombot, majd 4 másodpercen belül csukja be az ajtót.
A mosogatógép túl hamar fejezi be a programot. A kijelzőn látható érték: F8 E3	Az ételmaradék vagy vízkő eltömítette a szűrőt.	Tisztítsa ki a szűrőt, és vízkőmentesítse a készüléket (lásd A SZŪRŐEGYSÉG TISZTÍTÁSA és VÍZKŐMENTESÍTÉSI ÚTMUTATÓ).
	A leeresztőtömlő túl alacsonyan van, vagy a háztartási szennyvízrendszerbe ereszti a vizet.	Ellenőrizze, hogy a leeresztőtömlő vége megfelelő magasságban van-e (lásd BESZERELÉS). Ellenőrizze, hogy a rendszer a háztartási szennyvízrendszerbe ereszti-e a vizet, és szükség esetén szereljen be visszacsapó/légbeszívó szelepet.
	Túl sok hab képződött.	Nem megfelelően mérte ki a mosogatószert, vagy az nem használható mosogatógépben (lásd A MOSOGATÓSZER-ADAGOLÓ FELTÖLTÉSE).
	Levegő van a vízvezetékben.	Ellenőrizze a tömlőt és a tömitéseket, hogy nem szívárognak-e valahol.
Az edények nem kellően szárazak.	Elfogyott vagy nem elegendő az öblítőszer.	Ellenőrizze, hogy fel van-e töltve az öblítőszer-adagoló (lásd AZ ÖBLÍTŐSZER-ADAGOLÓ FELTÖLTÉSE). A többfunkciós tabletták önmagukban nem biztosítanak olyan jó szárítási eredményt, mint a folyékony öblítőszer.
	Az edényeket az ajtó automatikus nyitása után kipakolták, de ekkor még nem fejeződött be a folyamatban lévő program.	Az edények kipakolása előtt ellenőrizze, hogy befejeződött-e a program (lásd MINDENNAPI HASZNÁLAT). A még jobb szárítási eredményért javasoljuk, hogy hagyja nyitva a mosogatógép ajtaját, és hagyja a készülékben az edényeket a program lejártától számított 15 percig.
	Túl egyenesen behelyezett edények.	Ha víz van a bögrék, poharak, tálak mélyedéseiben, próbálja megdöntve behelyezni az edényeket (különösen a felső rekesz esetén), így több víz le tud csöpögni a szárítás előtt.
	A kiválasztott programban nincs szárítási szakasz.	Ellenőrizze a PROGRAMTÁBLÁZATBAN , hogy a választott program tartalmaz-e szárítási szakaszt. Előfordulhat, hogy a szárítási szakasz nélküli programok nem a kívánt szárítási eredményt nyújtják, ezért javasolt szárítási szakasszal rendelkező programot választani.
	Az edények tapadásmentes anyagból vagy műanyagból készültek.	Normális jelenség, ha az ilyen anyagokon vízcseppek láthatók.
Az edényeken és a poharakon kék csíkok vagy kékes elszíneződés látható.	A készülék túl sok öblítőszer adagol.	Állítsa alacsonyabb fokozatra az adagolást.
Az edényeken és a poharakon vízkő vagy fehér réteg látható.	A sótartály üres.	Minél hamarabb töltse fel a tartályt sóval. A készülék só nélkül történő használata károsíthatja annak belső alkatrészeit.
	Túl alacsony szintre van állítva a vízkeménység.	Állítson be magasabb szintet (lásd VÍZKEMÉNYSÉGI TÁBLÁZAT).
	A sótartály kupakja nem megfelelően lett visszazárva.	Ellenőrizze és zárja vissza a sótartály kupakját.
	Az öblítőtartály üres, vagy a készülék nem elegendő öblítőszer adagol.	Töltse fel a tartályt öblítőszerrel, és ellenőrizze az adagolási beállítást (további információ: lásd AZ ÖBLÍTŐSZER-ADAGOLÓ FELTÖLTÉSE).
A mosogatógép kijelzőjén az F8 E5 érték látható	Eltömődött vagy hibás szelep.	Ha lehetséges, zárja el a vízcsapot. Ne szüntesse meg a tápellátást. Hívja a vevőszolgálatot.



A szabályzatok, a szabványos dokumentáció, a tartalékalkatrészek rendelése és a termékkel kapcsolatos további információk az alábbi elérhetőségeken találhatóak:

- A QR-kód segítségével és látogasson el a: docs.whirlpool.eu
- Látogasson el a: parts-selfservice.whirlpool.com
- Vagy vegye fel a **kapcsolatot a vevőszolgálattal** (a telefonszámot lásd a garanciafüzetben). Amennyiben a vevőszolgálathoz fordul, kérjük, adja meg a termék adattábláján feltüntetett kódokat.

A modell adataihoz olvassa be az energiafogyasztást jelölő címkén található QR-kódot. A címkén található modellazonosító segítségével használható a regisztrációs portál <https://eprel.ec.europa.eu>.





DZIĘKUJEMY ZA ZAKUP PRODUKTU WHIRLPOOL
Aby uzyskać kompleksową pomoc, prosimy zarejestrować urządzenie na stronie: www.whirlpool.eu/register.

Przed rozpoczęciem użytkowania urządzenia należy uważnie przeczytać instrukcję bezpieczeństwa i instrukcję montażu. Więcej informacji na temat produktu można znaleźć na stronie internetowej: docs.whirlpool.eu

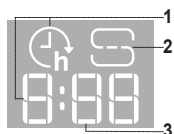
! Po instalacji prosimy pamiętać o wyjęciu ze zmywarki wszystkich elementów zabezpieczających w czasie transportu.

PANEL STEROWANIA



1. Przycisk i kontrolka **WŁ.-WYŁ./Reset**
2. Przycisk i kontrolka wyboru **programu Eko**
3. Przycisk i kontrolka wyboru **programu Szybki/program Mycie Wstępne** - wciskanie przycisku przez 3 sek
4. Przycisk i kontrolka wyboru **programu Kryształ/program Samoczyszczenie** - wciskanie przycisku przez 3 sek
5. Przycisk **programów Automatycznych** z kontrolkami / - **Auto Intensywny 65° / Auto Mieszany 55° / Auto Szybki 50°**
6. Kontrolka **Brak soli**
7. Kontrolka **Brak płynu nablyszczającego**
8. **Wyświetlacz**
9. **Numer programu i wskaźnik pozostałego czasu**
10. Kontrolka **Zawór Wody Zamknięty**
11. Kontrolka **ODKAMIENIANIE**
12. Przyciski **Extra opcji** z kontrolkami - **Półowa załadunku/ Cicho/ Płukanie Sani**
13. Przycisk i kontrolka **opcji Power Clean®**
14. Przycisk i kontrolka **opcji Dodatkowe Suszenie/ Ustawienia** - wciskanie przycisku przez 3 sek.
15. Przycisk i kontrolka **opcji Opóźnienie**
16. Przycisk i kontrolka **START/Pauza**

WYŚWIETLACZ NA PODŁODZE



1. **Czas Opóźnienia na podłodze** - wskaźnik czasu pozostałego do rozpoczęcia cyklu, gdy ustawiona jest opcja opóźnienia
2. **Pusty pojemnik na sól** - kontrolka na podłodze
3. **Pozostały czas na podłodze** - wskaźnik czasu pozostałego do zakończenia cyklu

PIERWSZE UŻYCIE

MENU USTAWIEŃ

1. Włączyć urządzenie, naciskając przycisk **WŁ.-WYŁ.** (⏻).
2. Nacisnąć i przytrzymać przycisk **Ustawienia** (⚙️) (Dodatkowe Suszenie ())) przez 3 sekundy, do momentu aż rozlegnie się sygnał dźwiękowy a na wyświetlaczu pojawi się komunikat „**SET**”.
3. Po jednej sekundzie wyświetli się pierwsze dostępne ustawienie (litera „h”).
4. Wcisnąć przycisk **programów Automatycznych** (⏸️) / **Extra opcji** (⏸️), aby przewinąć listę dostępnych ustawień (patrz tabela poniżej), następnie wcisnąć **START/Pauza** (▶️) aby podejrzeć i zmienić wartość wybranego obecnie ustawienia.
5. Wcisnąć przycisk **programów Automatycznych** (⏸️) / **Extra opcji** (⏸️), aby zmienić wartość, następnie wcisnąć **START/Pauza** (▶️), aby zapisać nową wartość.
6. Aby zmienić inne ustawienie, powtórzyć punkty 2 i 5.
7. Wcisnąć **WŁ.-WYŁ.** (⏻) lub odczekać 30 sekund aby wyjść z menu.

LITERA	USTAWIENIE	WARTOŚCI (Domyślne - pogrubioną czcionką)
h	Poziom twardości wody (patrz „USTAWIENIE TWARDOŚCI WODY” oraz „TABELA TWARDOŚCI WODY”)	1 2 3 4 5
f	Poziom dozowania nablyszczacza (patrz „REGULACJA DOZOWANIA PŁYNU NABLyszczAJĄCEGO”)	0 1 2 3 4 5
o	NaturalDry (patrz „OPCJE I FUNKCJE”) „1” = Wł., „0” = Wył.	1 0
l	Czas na podłodze (patrz „OPCJE I FUNKCJE”) „1” = Wł., „0” = Wył.	1 0
z	Dźwięk „1” = Wł., „0” = Wył.	1 0
l	Ustawienia fabryczne Wcisnąć przycisk START/Pauza, aby przywrócić domyślne ustawienia fabryczne dla wszystkich wartości zawartych w menu ustawienia.	-

NAPEŁNIANIE ZBIORNIKA SOLI

Zastosowanie soli zapobiega tworzeniu się KAMIENIA na naczyńach i funkcjonalnych podzespołach zmywarki. Zbiornik soli jest zlokalizowany w dolnej części zmywarki (pod koszem dolnym po lewej stronie).

- **Konieczne jest, aby zbiornik soli nigdy nie był pusty.**
- Ważne też jest odpowiednie ustawienie twardości wody.
- Należy uzupełnić sól, gdy kontrolka BRAK SOLI (S) świeci się na panelu sterowania.



1. Wyjąć dolny kosz i odkręcić korek zbiornika (w kierunku przeciwnym do ruchu wskazówek zegara).
2. Umieścić lejek (patrz rys.) i wysypać sól aż do krawędzi zbiornika (około 0,5 kg); niewielki wyciek wody jest tu normalny.
3. **Tylko podczas wykonywania czynności po raz pierwszy: Napełnić zbiornik soli wodą.**

4. Wyjąć lejek i wytrzeć resztki soli wokół otworu. Upewnić się, czy korek jest mocno dokręcony, aby detergent nie mógł przedostać się do zbiornika podczas programu zmywania (mogłoby to spowodować nienaprawialne uszkodzenie zmiękczacza wody).

Za każdym razem, gdy tylko ukończone zostanie uzupełnianie soli, należy włączyć jeden z programów zmywania, aby zapobiec korozji.

Ustawienie twardości wody

Aby zmiękczać wodę idealnie, istotne jest ustawienie twardości wody na podstawie rzeczywistej twardości doprowadzanej wody. Tę informację można uzyskać od lokalnego dostawcy wody. Zakład produkcyjny ustawia domyślną wartość „3” dla twardości wody. Zobacz „TABELA TWARDOŚCI WODY”. Aby zmienić ustawienie, należy wykonać czynności zgodnie z instrukcjami podanymi w rozdziale „MENU USTAWIEN”.

Poziom	Tabela twardości wody		
	°dH St. niemieckie	°fH St. francuskie	°Clark St. brytyjskie
1 (Miękka)	0 - 6	0 - 10	0 - 7
2 (Średnia)	7 - 11	11 - 20	8 - 14
3 (Przeciętna)	12 - 16	21 - 29	15 - 20
4 (Twarda)	17 - 34	30 - 60	21 - 42
5 (Bardzo twarda)	35 - 50	61 - 90	43 - 62

Należy stosować wyłącznie taką sól, która jest specjalnie przeznaczona do zmywarek.

Po wyspaniu soli do zmywarki kontrolka BRAK SOLI gaśnie. **Jeśli pojemnik z solą jest pusty, istnieje ryzyko uszkodzenia zmiękczacza wody oraz grzałki z powodu nagromadzenia osadu. Stosowanie soli jest zalecane z każdym rodzajem detergentu do zmywarek.**

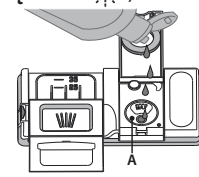
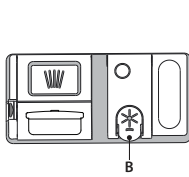
SYSTEM ZMIĘKCZANIA WODY

Zmiękczacze wody automatycznie zmniejsza twardość wody, tym samym zapobiegając nagromadzeniu osadu na grzałce co z kolei przyczynia się do większej wydajności zmywania. **System sam regeneruje się przy pomocy soli, zatem zbiornik soli należy uzupełniać jak tylko będzie pusty.** Częstotliwość regeneracji zależy od ustawienia poziomu twardości wody - regeneracja następuje raz na 4-6 cykli Eko, kiedy twardość wody ustawiona jest na poziom 3. Proces regeneracji zachodzi na początku cyklu z dodatkową świeżą wodą.

- Podczas jednej regeneracji: ~Zużycie 3 L wody;
- Dodatkowe 5 minut cyklu;
- Zużycie poniżej 0,005 kWh energii elektrycznej.

NAPEŁNIANIE DOZOWNIKA PŁYNU NABLyszczAJĄCEGO

Płyn nablyszczający ułatwia SUSZENIE naczyń. Dozownik płynu nablyszczającego A powinien zostać napełniony, gdy kontrolka BRAK PŁYNU NABLyszczAJĄCEGO (A), świeci się na panelu sterowania.



1. Otworzyć dozownik B, naciskając i podnosząc kłapkę na pokrywce.
2. Ostrożnie wlewać płyn nablyszczający, aż do kreski oznaczającej maksymalny poziom napełnienia (110 ml) - unikać rozlania płynu.

Jeśli tak się stanie, należy natychmiast wytrzeć rozlany płyn suchą szmatką. 3. Zatrzasnąć pokrywkę. **NIGDY nie wlewać płynu nablyszczającego bezpośrednio do komory zmywarki.**

Regulacja dozowania płynu nablyszczającego

Jeśli rezultaty suszenia nie są w pełni zadowalające, można wyregulować dozowanie używanego płynu nablyszczającego.

Aby zmienić ustawienie, należy wykonać czynności zgodnie z instrukcjami podanymi w rozdziale „MENU USTAWIEN”.

Jeśli poziom dozowania płynu nablyszczającego został ustawiony na ZERO (EKO), płyn nablyszczający nie będzie dozowany. Kontrolka **BRAK PŁYNU NABLISZCZĄCEGO** nie będzie świecić, jeśli zabraknie płynu nablyszczającego.

Można ustawić maksymalnie 6 poziomów, zależnie od modelu zmywarki.

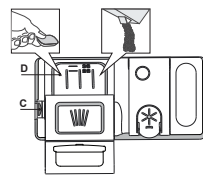
- Jeśli na naczyaniach są widoczne niebieskawe smugi, należy ustawić niski poziom (0-3).
- Jeśli na naczyaniach pozostają krople wody lub oznaki kamienia, należy ustawić wysoki poziom (4-5).

NAPEŁNIANIE DOZOWNIKA DETERGENTU

Aby otworzyć dozownik detergentu, użyć urządzenia do otwierania

C. Detergent wsypywać/wlewać tylko do suchego zasobnika D.

Detergent przeznaczony do mycia wstępnego wsypywać/wlewać bezpośrednio do komory zmywarki.



1. Odmierzając dawkę detergentu, należy uwzględnić informacje podane powyżej, aby dodana ilość detergentu była prawidłowa. Wewnątrz dozownika **D** znajdują się oznaczenia ułatwiające dozowanie detergentu.
2. Przed zatrzasknięciem pokrywy usunąć pozostałości detergentu z krawędzi dozownika.
3. Zamknąć pokrywę dozownika detergentu, pociągając ją w górę tak, aż urządzenie zamykające zostanie zablokowane na swoim miejscu.

Dozownik detergentu otwiera się automatycznie w odpowiednim czasie, zgodnie z danym programem.

Zastosowanie detergentów nieprzeznaczonych do użytku w zmywarkach może spowodować nieprawidłowe działanie lub uszkodzenie urządzenia.

CODZIENNA EKSPLOATACJA

1. SPRAWDZENIE PRZYŁĄCZA WODY

Sprawdzić, czy zmywarka jest podłączona do instalacji wodnej i czy zawór wody jest otwarty.

2. WŁĄCZANIE ZMYWARKI

Otwórz drzwiczki i naciśnij przycisk **WŁ.-WYŁ..**

3. WKŁADANIE NACZYŃ DO KOSZA (patrz ŁADOWANIE KOSZY).

4. NAPEŁNIANIE DOZOWNIKA DETERGENTU

5. WYBÓR PROGRAMU I DOSTOSOWANIE CYKLU

Wybierz najbardziej odpowiedni program, dostosowany do typu naczyń stołowych i poziomu ich zabrudzenia (patrz **OPIS PROGRAMÓW**), naciskając przycisk wybranego **PROGRAMU**.

Wybierz żądane opcje (patrz **OPCJE I FUNKCJE**). Nie wszystkie opcje są przystosowane do wszystkich programów.

6. START

Uruchom cykl zmywania naciskając przycisk **START/Pauza** (diody LED świeci) i zamykając drzwiczki w przeciągu 4 sekund. Po uruchomieniu programu urządzenie wyemituje pojedynczy sygnał dźwiękowy. Jeśli drzwiczki nie zostaną zamknięte w przeciągu 4 sekund, rozlegnie się dźwięk alarmu. W takim przypadku otwórz drzwiczki, naciśnij przycisk **START/Pauza** i ponownie zamknij drzwiczki w przeciągu 4 sekund.

7. KONIEC CYKLU ZMYWANIA

Koniec cyklu zmywania jest sygnalizowany przez sygnał dźwiękowy oraz za pomocą komunikatu **END (KONIEC)** na wyświetlaczu. Otwórz drzwiczki i wyłącz urządzenie, naciskając przycisk **WŁ.-WYŁ..**

Przed wyjęciem naczyń odczekaj kilka minut - aby uniknąć oparzenia. Wyjmij naczynia, zaczynając od dolnego kosza.

ZMIANA URUCHOMIONEGO PROGRAMU

Jeżeli wybrany został niewłaściwy program, można go zmienić, pod warunkiem, że program dopiero się rozpoczął. **PONOWNE USTAWIENIE** maszyny: naciśnij i przytrzymaj przycisk **WŁ.-WYŁ..** przez ponad 3 sekundy i maszyna się wyłączy. **Na tablicy wskaźników wyświetli się komunikat „0:01”.** Zamknij drzwiczki i poczekaj, aż zakończy się cykl spuszczenia wody (około 1 minuty). Otwórz drzwiczki i włącz z powrotem urządzenie za pomocą przycisku **WŁ.-WYŁ.** i wybrać nowy cykl zmywania oraz żądane opcje. Uruchom cykl, naciskając przycisk **START/Pauza** i zamykając drzwiczki w przeciągu 4 sekund.

DODAWANIE DODATKOWYCH NACZYŃ STOŁOWYCH

Bez wyłączenia zmywarki lekko uchyl drzwiczki, aby uniknąć rozpryskiwania się wody na zewnątrz (diody **START/Pauza** zaczyna migać) (**Uwaga! Gorąca para!**) i umieść naczynia wewnątrz zmywarki. Zamknij drzwiczki i naciśnij przycisk **START/Pauza** i zamknij drzwiczki w przeciągu 4 sekund. Cykl będzie kontynuowany od momentu, w którym został przerwany.

PRZYPADKOWE PRZERWANIE CYKLU

Jeżeli drzwiczki zostaną otwarte w trakcie trwania cyklu zmywania lub jeśli nastąpiła przerwa w dopływie prądu, cykl zostanie wstrzymany. Zamknij drzwiczki i **JEDYNIÉ WÓWCZAS, GDY** naciśniesz przycisk **START/Pauza** i zamkniesz drzwiczki w przeciągu 4 sekund, cykl będzie kontynuowany od momentu, w którym został przerwany.

PORADY I WSKAZÓWKI

PORADY

Przed włożeniem naczyń do kosza, należy usunąć wszystkie resztki jedzenia i opróżnić szklanki. **Nie trzeba ich wcześniej płukać pod bieżącą wodą.**

Rozmieść naczynia tak, aby były mocno utrzymywane na miejscu i nie mogły się przewrócić; pojemniki ułóż tak, aby ich otwory były skierowane w dół, a wklęsłe/wypukłe elementy były ustawione ukośnie, dzięki czemu woda będzie mogła docierać do każdej powierzchni i swobodnie przepływać.

Ostrzeżenie: pokrywki, uchwyty, tace i patelnie nie mogą uniemożliwiać obracania się ramion natryskowych.

Wszystkie małe przedmioty należy umieszczać w koszyku na sztućce.

Bardzo zabrudzone naczynia i patelnie powinny być umieszczane w dolnym koszu, ponieważ w tej części komory zmywarki strumienie wody są silniejsze i zmywanie jest bardziej skuteczne.

Po włożeniu naczyń do zmywarki trzeba sprawdzić, czy ramiona natryskowe mogą obracać się swobodnie.

NACZYNNIA NIE NADAJĄCE SIĘ DO ZMYWANIA W ZMYWARKACH

- Naczynia i sztućce drewniane.
- Szklanki z delikatnym zdobieniem, wyroby artystyczne lub naczynia zabytkowe. Ich zdobienia nie są odporne.
- Elementy z tworzywa sztucznego, które nie są odporne na wysokie temperatury.
- Naczynia miedziane i cynowe.
- Naczynia zabrudzone popiołem, woskiem, smarem lub tuszem.

Kolory szklanych dekoracji oraz aluminiowe/srebrne części mogą zmienić się lub ściemnieć podczas zmywania. Niektóre rodzaje wyrobów szklanych (np. kryształ) mogą stracić przezroczystość po zbyt wielu cyklach zmywania.

USZKODZENIE NACZYŃ SZKLANYCH I PORCELANOWYCH

- W zmywarkach można myć tylko takie naczynia szklane i porcelanowe, których producent deklaruje, że są przeznaczone do zmywarek.
- Używać delikatnego detergentu, przeznaczonego do porcelany
- Naczynia szklane i porcelanowe należy wyjmować ze zmywarki, jak tylko zmywanie się skończy.

WSKAZÓWKI DOTYCZĄCE OSZCZĘDZANIA ENERGII

• Jeśli zmywarka domowa użytkowana jest zgodnie z zaleceniami producenta, **zmywanie naczyń w zmywarce zazwyczaj pochłania MNIEJ ENERGII ELEKTRYCZNEJ i mniej wody niż zmywanie ręczne.**

• Aby maksymalnie zwiększyć wydajność zmywarki, **należy uruchamiać cykl zmywania po pełnym załadunku urządzenia.** Ładowanie zmywarki domowej w stopniu zależnym przez producenta przyczyni się do oszczędności energii elektrycznej i wody. Informacje na temat prawidłowego ładowania naczyń w zmywarce można odnaleźć w rozdziale ŁADOWANIE KOSZY. W przypadku częściowego załadunku, zaleca się skorzystanie ze specjalnych opcji, jeśli są one dostępne (Połowa załadunku/ Zmywanie strefowe/ Wiele stref), zapewniając jedynie wybrane kosze. Nieprawidłowe lub nadmierne ładowanie zmywarki może spowodować zwiększenie zużycia mediów (np. wody, energii, czasu lub zwiększenie poziomu hałasu), co wpływa negatywnie na wydajność suszenia.

• Ręczne spłukiwanie naczyń przyczynia się do większego zużycia wody i energii elektrycznej i nie jest zalecane.

DEZYNFEKCJA ZMYWARKI

Aby uniknąć powstawania nieprzyjemnych zapachów i tworzenia się osadów, które mogą pojawić się w zmywarce, **należy co najmniej raz w miesiącu włączyć program z wysoką temperaturą.** Aby wyczyścić zmywarkę, należy wsypać/wlać jedną łyżeczkę detergentu i włączyć program bez wkładania naczyń.

ODPORNOŚĆ NA NISKIE TEMPERATURY

Jeśli urządzenie jest umieszczone w środowisku narażonym na ryzyko niskich temperatur, **należy je całkowicie opróżnić z wody.** Zamknij zawór wody i odłącz wąż doprowadzający wodę oraz wąż spustowy, a następnie pozwól na wypłynięcie z nich wody. **Sprawdź, czy że zmieknacz wody jest wypełniony rozpuszczoną solą regeneracyjną w zbiorniku soli,** aby chronić urządzenie przed temperaturami aż do -20 °C. Jeżeli urządzenie było przechowywane w warunkach niskich temperatur, przed pierwszym uruchomieniem musi ono pozostać w temperaturze otoczenia wynoszącej min. 5°C przez przynajmniej 24 godziny.

TABELA PROGRAMÓW

Program	Opis programów	Faza suszenia	NaturalDry	Dostępne opcje *)	Czas trwania programu (godz./min)**	Zużycie wody (litry/cykl)	Zużycie energii (kWh/cykl)
Eco	Eco 50° - program jest przeznaczony do mycia naczyń o zwykłym stopniu zabrudzenia; dla tego zastosowania jest to najbardziej wydajny program pod względem zużycia energii elektrycznej i wody oraz w takim zastosowaniu program ten uzyskał certyfikat zgodności z dyrektywą unijną Ecodesign.	✓	✓		3:30	9,5	0,76
	Szybki 45° - Program należy stosować przy połowie załadunku lub lekko zabrudzonych naczyniach, na których nie zalegają resztki jedzenia. Nie ma fazy suszenia.	-	✓		0:30 - 0:40	10,0 - 12,0	0,55 - 0,65
	Kryształ 45° - Program do mycia delikatnych naczyń, które są bardziej wrażliwe na wysoką temperaturę, np. szklanki i kubeczki.	✓	✓		1:40 - 1:50	12,5 - 16,5	0,95 - 1,20
	Auto Intensywny 65° - Automatyczny program do zmywania mocno zabrudzonych garnków i talerzy.	✓	✓		2:25 - 3:10	15,5 - 24,5	1,30 - 1,70
	Auto Mieszany 55° - automatyczny program do normalnie zabrudzonych naczyń z zaschniętymi resztkami jedzenia.	✓	✓		1:20 - 3:00	7,5 - 19,5	0,75 - 1,20
	Auto Szybki 50° - automatyczny program do średnio i lekko zabrudzonych naczyń. Cykl do codziennego stosowania, który zapewnia optymalne rezultaty zmywania i suszenia w krótszym czasie.	✓	✓		1:00 - 1:50	7,5 - 15,5	0,70 - 1,10
	Mycie wstępne - Opłukiwanie naczyń przeznaczonych do późniejszego mycia. W tym programie nie używa się żadnego detergentu.	-	✓		0:12	4,5	0,10
	Samoczyszczenie 65° - Program przeznaczony do przeprowadzania konserwacji zmywarki, tylko w przypadku gdy zmywarka jest PUSTA, z zastosowaniem specjalnych detergentów służących do konserwacji zmywarki.	-	-		1:15	11,0	1,10

Dane Programu Eko uzyskano na podstawie pomiarów wykonanych w warunkach laboratoryjnych zgodnie z normą europejską EN 60436:2020.

Uwaga dla laboratoriów testowych: szczegółowe informacje dotyczące warunków testów porównawczych EN można uzyskać pod adresem:

dw_test_support@whirlpool.com

Przed żadnym z tych programów nie ma potrzeby wstępnego przygotowania naczyń.

*) Nie wszystkie opcje mogą być używane jednocześnie.

**) Wartości podane dla innych programów niż program Eko mają charakter referencyjny. Rzeczywisty czas może się zmieniać w zależności od wielu czynników, takich jak temperatura i ciśnienie dopływającej wody, temperatura otoczenia, ilość detergentu, wielkość i typ załadunku oraz jego wyważenie, a także od dodatkowo wybranych opcji i kalibracji czujnika. Kalibracja czujnika może wydłużyć czas trwania programu aż o 20 min.

OPCJE I FUNKCJE

OPCJE można wybierać/ anulować wybór bezpośrednio po wybraniu programu, naciskając odpowiedni przycisk (jeśli jest dostępny – zapala się kontrolka) (patrz PANEL STEROWANIA). Jeśli dana opcja nie może być używana z wybranym programem (patrz TABELA PROGRAMÓW), odpowiednia dioda LED mignie szybko 3 razy i będzie słychać sygnał dźwiękowy. Opcja nie zostanie włączona. Opcja może zmienić czas lub zużycie wody lub energii dla programu.

1/2 POŁOWA ZAŁADUNKU - Jeśli nie ma wielu naczyń do zmywania, używany jest program połowy załadunku, w celu oszczędzania wody, energii elektrycznej lub czasu, w zależności od wybranego programu. **Należy pamiętać, aby zmniejszyć ilość detergentu.**

CICHO - odpowiedni do zmywania w nocy. Ta opcja może być wykorzystana do ograniczenia emisji hałasu podczas faz zmywania. Wydłuży ona czas cyklu w zależności od wyboru cyklu podstawowego.

PŁUKANIE SANI - Ta opcja może być użyta do dezynfekcji mytych naczyń. Jej włączenie spowoduje podwyższenie temperatury końcowego płukania i dodanie zmywania antybakteryjnego do wybranego programu. Idealna do mycia naczyń i butelek do karmienia. Drzwiczki zmywarki muszą być zamknięte przez cały czas trwania programu, aby zagwarantować usunięcie zarazków.

OSTRZEŻENIE: po zakończeniu cyklu naczynia i talerze mogą być bardzo gorące.

POWER CLEAN® - Dzięki dodatkowym silnym dyszom ta opcja zapewnia bardziej intensywne i dokładne mycie w koszu dolnym, w określonym jego obszarze. Opcja ta jest polecana do mycia garnków i patelni. (Prosimy zapoznać się z częścią dotyczącą obciążenia Power Clean®).

DODATKOWE SUSZENIE - Wyższa temperatura podczas ostatniego płukania przedłużona faza suszenia pozwala na lepsze suszenie. Opcja DODATKOWE SUSZENIE powoduje wydłużenie cyklu zmywania.

OPÓŹNIENIE - Włączenie programu można opóźnić o pewien czas, od 30 minut do 24 godzin.

1. Wybrać program i którąkolwiek z żądanych opcji. Nacisnąć przycisk OPÓŹNIENIE (kilkukrotnie), aby opóźnić rozpoczęcie programu. Dostępna jest regulacja w zakresie od pół godziny do 24 godzin. Gdy osiągnięte zostanie ustawienie 24 godzin, wciśnięcie przycisk OPÓŹNIENIE kolejny raz, aby dezaktywować funkcję OPÓŹNIENIE.

2. Wcisnąć przycisk START/Pauza i zamknąć drzwi w przeciągu 4 sek. Zegar zacznie odliczanie.

3. Po upływie ustawionego czasu kontrolka gaśnie, a program włącza się automatycznie.

Funkcja OPÓŹNIENIE nie może być ustawiana po włączeniu się programu.

CZAS NA PODŁODZE - Światło LED, wyświetlane na podłodze, wskazuje czas pozostały do końca cyklu. Lampka pozostaje włączona podczas cyklu i wyłącza się po jego zakończeniu. Ta funkcja jest domyślnie ustawiona jako aktywna, jednak można ją wyłączyć w "MENU USTAWIEN".

ODKAMNIENIE - Alarm - Wykryto nagromadzenie kamienia na wewnętrznych elementach urządzenia. Sprawdzić, czy **Ustawienie Twardości Wody** ma prawidłową wartość, a **sól** jest obecna w pojemniku na sól (patrz **PIERWSZE UŻYCIE**), a następnie **użyć produktu do odkamieniania** (zalecana jest marka WPPro) i włączyć program **Samoczyszczenie**. Po udanym odkamienianiu ikona nie będzie już wyświetlana.

Jeśli opisane powyżej czynności nie zostaną wykonane, wydajność maszyny się pogorszy. Ostrzeżenie «Odkamienianie» zacznie mrugać, a alarm «dES» pojawi się na wyświetlaczu. Jeśli nadal nie podjęte zostanie żadne działanie, urządzenie umożliwi włączenie jedynie pewnej ilości cykli (wskazanej podczas wyświetlania alarmu «dES») a następnie zostanie **ZABLOKOWANE**, aby zapobiec uszkodzeniu elementów urządzenia, a **dostępny będzie jedynie program Samoczyszczenie**. Przeprowadzenie pełnego odkamieniania odblokuje urządzenie. W przypadku wyjątkowo dużej ilości kamienia, możliwe, że trzeba będzie wykonać odkamienianie dwa razy, aby było skuteczne.

NaturalDry - to konwekcyjny system suszenia, który automatycznie otwiera drzwiczki podczas/po fazie suszenia, aby zapewnić doskonałe rezultaty suszenia każdego dnia. Drzwiczki można otworzyć po osiągnięciu temperatury bezpiecznej dla mebli kuchennych, zatem przy użyciu opcji **PŁUKANIE SANI** drzwiczki będą zablokowane.

Do zmywarki dołączono specjalnie zaprojektowaną folię ochronną która pełni funkcję dodatkowej ochrony przed parą. Prosimy zapoznać się z INSTRUKCJĄ INSTALACJI, aby dowiedzieć się, jak zamontować folię ochronną. Ta funkcja jest domyślnie ustawiona jako aktywna, jednak można ją wyłączyć w "MENU USTAWIEN".

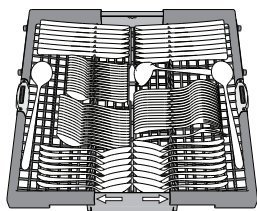
WYKRYWANIE - kiedy czujnik wykryje poziom zabrudzenia, na wyświetlaczu pojawi się animacja (około 20 min.), a długość cyklu zmywania zostanie jest aktualizowany. Funkcja wykrywania służy do pomiaru poziomu zabrudzenia naczyń i jest ona obecna we wszystkich cyklach (z wyjątkiem trybu Eco), dostosowując odpowiednio program.

ZAWÓR WODY ZAMKNIĘTY - Alarm - Miga, gdy nie jest doprowadzana woda lub zawór wody jest zamknięty.

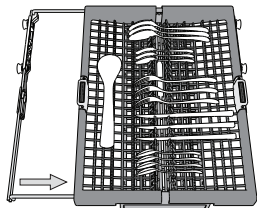
PÓŁKA-KOSZ NA SZTUĆCE

Trzecia półka-kosz jest przeznaczona do umieszczania sztućców.

Sztućce należy wkładać tak, jak to pokazano na rysunku. Rozdzielone ułożenie sztućców ułatwia ich wyjmowanie po zmywaniu i zapewnia lepsze wysuszenie.



Noże i inne akcesoria o ostrych czubkach i krawędziach należy wkładać ostrzami skierowanymi w dół.



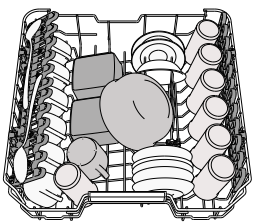
Półka na sztućce jest wyposażona w dwie przesuwne boczne półki, aby uzyskać jak najwyższą przestrzeń pod spodem i umożliwić umieszczenie wysokich naczyń w górnym koszu.

GÓRNY KOSZ

Tu należy wkładać delikatne i lekkie naczynia: szklanki, filiżanki, talerzyki, małe miseczki do sałatek.

Górny kosz jest wyposażony w podnoszone wsporniki, które mogą być używane w pozycji pionowej przy wkładaniu spodeczków/talerzyków deserowych lub w pozycji opuszczonej, przy wkładaniu misek i pojemników na żywność.

(przykładowe załadowanie górnego kosza)

**Regulacja wysokości górnego kosza**

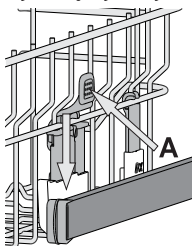
Wysokość górnego kosza można wyregulować: wyższe położenie umożliwia umieszczenie dużych naczyń w dolnym koszu, a niższe pozwala na najwyższe ustawienie podnoszonych wsporników, co daje więcej miejsca u góry, a jednocześnie pozwala uniknąć stykania się z naczyniami umieszczonymi w dolnym koszu.

Górny kosz jest wyposażony w **regulator wysokości górnego kosza** (patrz ilustracja); bez naciskania dźwigni, można łatwo podnieść kosz trzymając go za boczne części i umieszczając stabilnie w górnym położeniu.

Aby przywrócić dolne położenie, nacisnąć dźwignieki **A** po bokach kosza i przesunąć kosz w dół.

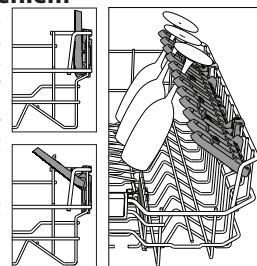
Zdecydowanie zalecamy, aby nie regulować wysokości kosza, gdy jest załadowany.

NIGDY nie podnosić lub opuszczać kosza tylko z jednej strony.

**Składane półeczki z regulowanym położeniem**

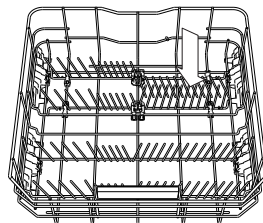
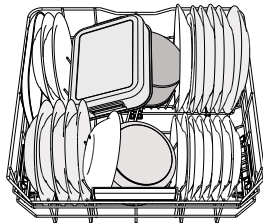
Boczne składane kłapy można złożyć lub rozłożyć, aby zoptymalizować ułożenie naczyń w koszyku. Kieliszki do wina można bezpiecznie umieścić, wkładając nożkę każdego kieliszka do odpowiedniego otworu. W zależności od modelu:

- aby rozłożyć kłapy, należy wysunąć je do góry i obrócić lub zwolnić z zatrzasków i pociągnąć do dołu.
- aby złożyć kłapy, należy obrócić je i wsunąć je do dołu lub wyciągnąć do góry i zamocować do zatrzasków.

**DOLNY KOSZ**

Do garnków, pokrywek, talerzy, misek do sałatek, sztućców itp. Duże talerze i pokrywki powinny być umieszczane z boku, aby uniknąć stykania się z ramieniem natryskowym.

Dolny kosz jest wyposażony w podnoszone wsporniki, które mogą być używane w położeniu pionowym przy wkładaniu talerzy lub w położeniu poziomym, aby ułatwić wkładanie patelni i misek.



(przykładowe załadowanie dolnego kosza)

POWER CLEAN®

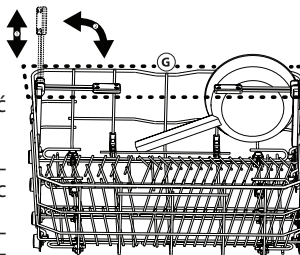
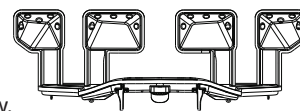
System Power Clean® wykorzystuje specjalne dysze wodne znajdujące się z tyłu komory, które pozwalają na intensywne mycie bardzo zabrudzonych naczyń. Dolny kosz posiada miejsce do umieszczania dużych przedmiotów.

Z tyłu kosza znajduje się specjalny wysuwany wspornik, który może być używany do podparcia patelni lub blach do pieczenia i ustawienia ich pionowo, dzięki czemu będą zajmowały mniej miejsca.

Umieszczając garnki/patelnie skierowane w stronę elementu Power Clean®, należy włączyć **POWER CLEAN** na panelu sterowania.

Stosowanie opcji Power Clean®:

1. Dostosować obszar Power Clean (**G**), składając tylne uchwyty w taki sposób, aby móc włożyć garnki.
2. Włożyć przechylone w pionie garnki i patelnie w obszar Power Clean®. Garnki muszą być zwrócone w kierunku silnych dysz wodnych.

**UTRZYMANIE I KONSERWACJA****CZYSZCZENIE ZESPOŁU FILTRA**

Zespół filtra należy regularnie czyścić, zapobiegając jego zapychaniu i zapewniając prawidłowy odpływ ścieków.

Używanie zmywarki, w której zablokowane są filtry lub zawierające ciała obce w układzie filtrowania może spowodować nieprawidłowe działanie urządzenia, co prowadzi do obniżenia wydajności, głośnej pracy lub większego wykorzystania mediów.

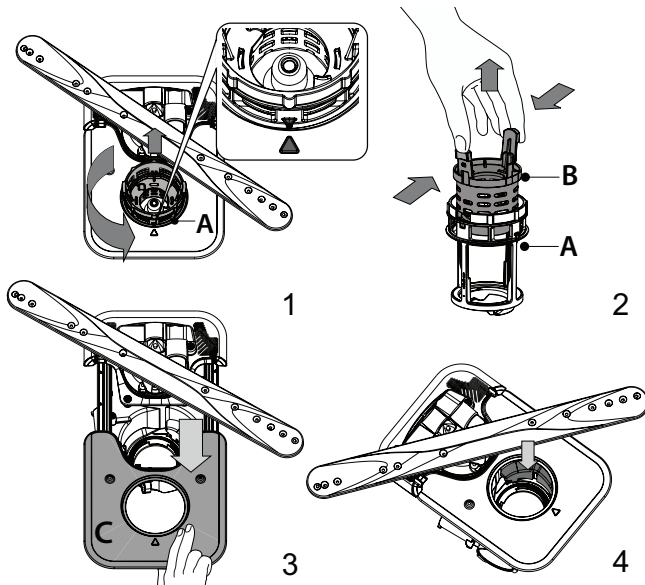
Zespół filtra składa się z trzech filtrów, które usuwają resztki jedzenia z myjącej wody, a następnie umożliwiają jej obieg: aby uzyskać najlepsze rezultaty zmywania, należy utrzymywać je w czystości.

Nie wolno używać zmywarki bez filtrów lub jeśli filtry są źle zamocowane.

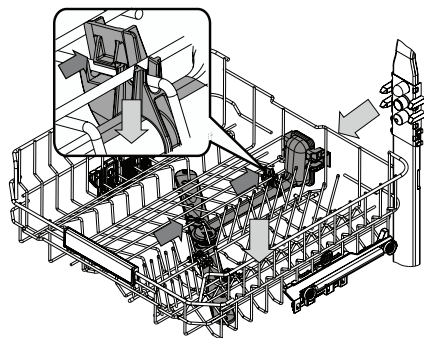
Co najmniej raz na miesiąc lub po każdym 30 cyklach zmywania należy sprawdzić zespół filtra i w razie potrzeby oczyścić go dokładnie pod bieżącą wodą za pomocą szczoteczki z nie-metalowym włosiem i postępując zgodnie z poniższymi instrukcjami:

1. Odkręcić filtr cylindryczny **A** w kierunku ruchu wskazówek zegara i wyciągnąć go (Rys. 1). **Ważne jest, aby przy ponownym montażu filtra, dwa trójkąty pokazane na zbliżeniu, spotkały się.**
2. Zdjąć korek filtra **B** lekko naciskając boczne kłapki (Rys. 2).
3. Wysunąć filtr płytkowy ze stali nierdzewnej **C** (Rys. 3).
4. W przypadku odnalezienia ciał obcych (np. potłuczonego szkła, porcelany, kości, pestek owoców itp.), **należy je ostrożnie wyjąć.**
5. Sprawdzić syfon i usunąć wszelkie resztki potraw. **NIGDY NIE NALEŻY WYJMOWAĆ** osłony pompy cyklu myjącego (pokazane strzałką) (Rys. 4).

Po oczyszczeniu filtrów założyć z powrotem zespół filtra i zamocować go w prawidłowym położeniu; jest to niezbędne dla utrzymania sprawnego funkcjonowania zmywarki.

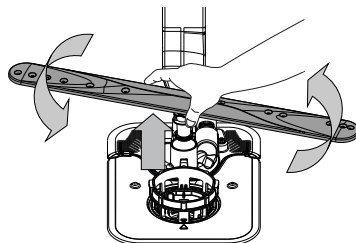


CZYSZCZENIE RAMION NATRYSKOWYCH

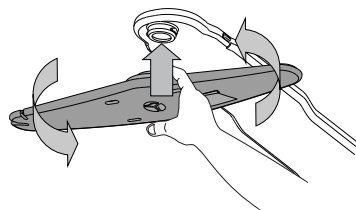


Może się zdarzyć, że resztki potraw pozostaną na ramionach natryskowych i będą zatykać otwory, przez które wytryskiwana jest woda. Dlatego też zaleca się, aby od czasu do czasu sprawdzić ramiona natryskowe i oczyścić je małą szczoteczką z nie-metalowym włosiem.

Aby usunąć spryskiwacz górny, usuń go z kolektorem.



Dolne ramie natryskowe można wyjmować pociągając je w górę i obracając je w kierunku przeciwnym do wskazówek zegara. Ponowne osadzenie ramienia natryskowego odbywa się poprzez pociągnięcie go w dół i obrócenie go w kierunku zgodnym z ruchem wskazówek zegara.




Górne ramie natryskowe można wyjmować wciskając je w górę i obracając je w kierunku przeciwnym do wskazówek zegara. Ponowne osadzenie ramienia natryskowego odbywa się poprzez pociągnięcie go w górę i obrócenie go w kierunku zgodnym z ruchem wskazówek zegara.

USUWANIE USTEREK

Jeśli zmywarka nie działa prawidłowo, należy sprawdzić czy problem można rozwiązać wykonując czynności opisane poniżej. W przypadku błędów lub problemów prosimy skontaktować się z zakładem serwisowym, którego dane kontaktowe można odnaleźć w książeczce gwarancyjnej. Części zamienne będą dostępne przez okres do 7 lub do 10 lat, zgodnie z określonymi wymaganiami rozporządzenia.

PROBLEMY	MOŻLIWE PRZYCZYNY	ROZWIĄZANIE
Świeci się wskaźnik soli	Zbiornik soli jest prawie pusty.	Napełnij zbiornik solą (aby uzyskać więcej informacji, patrz NAPEŁNIANIE ZBIORNIKA SOLI). W razie potrzeby sprawdź ustawienie twardości wody, patrz TABELA TWARDOŚCI WODY .
Wskaźnik soli miga	Zbiornik soli jest pusty.	Jak najszybciej napełnij zbiornik solą. Używanie urządzenia bez soli może spowodować uszkodzenie jego podzespołów wewnętrznych.
Wskaźnik płynu nablyszczającego świeci się lub miga	Dozownik płynu nablyszczającego jest pusty. (Po ponownym napełnieniu wskaźnik płynu nablyszczającego może pozostać zapalony przez krótki czas).	Ponownie napełnij dozownik płynem nablyszczającym (aby uzyskać więcej informacji, patrz NAPEŁNIANIE DOZOWNIKA PŁYNU NABLYSZCZAJĄCEGO).
Wskaźnik odkamieniania świeci się lub miga; wyświetlany jest alarm „DES”	Na wewnętrznych podzespołach urządzenia osadza się kamień.	Natychmiast usuń kamień z urządzenia korzystając z programu Samoczyszczenie i dostępnego na rynku preparatu do usuwania kamienia (patrz OPCJE I FUNKCJE). Ponownie napełnij zbiornik solą. Sprawdź ustawienie twardości wody. Jeśli urządzenie nie zostanie odkamienione, przestanie działać.
Zmywarka nie włącza się lub nie reaguje na polecenia.	Urządzenie nie zostało prawidłowo podłączone do zasilania.	Włóż wtyczkę przewodu zasilającego do gniazdka.
	Przerwa w dopływie prądu.	Ze względów bezpieczeństwa, zmywarka nie uruchomi się ponownie automatycznie po przywróceniu zasilania. Otwórz drzwiczki zmywarki, naciśnij przycisk START/Pauza i zamknij drzwiczki w przeciągu 4 sekund.
	Drzwiczki zmywarki nie są zamknięte. Sworzeń NaturalDry nie jest wsunięty.	Energicznie popchnij drzwiczki aż do usłyszenia “kliknięcia”.
	Cykl zostaje przerwany przez otwarcie drzwi przez ponad 4 sekundy.	Naciśnij przycisk START/Pauza i zamknij drzwiczki w przeciągu 4 sekund.
Zmywarka nie odpompowuje wody. Na wyświetlaczu widoczny jest komunikat: F7 E3 lub F9 E1	Filtr jest zatkany resztkami potraw lub kamieniem.	Oczyść filtr i usuń kamień z urządzenia (patrz CZYSZCZENIE ZESPOŁU FILTRA i INSTRUKCJA ODKAMIANIANIA).
	Wąż odpływowy jest zagięty.	Sprawdź wąż odpływowy (patrz INSTRUKCJA INSTALACJI).
	Rura odpływu zlewu jest zatkana.	Oczyść rurę odpływu w zlewie.
Zmywarka powoduje nadmierne hałas.	Naczynia stukają między sobą.	Prawidłowo rozmieść naczynia (patrz ŁADOWANIE KOSZY).
	Występuje nadmierna ilość piany.	Porcja detergentu nie została poprawnie odmierzona, albo detergent nie nadaje się do stosowania w zmywarkach (patrz NAPEŁNIANIE DOZOWNIKA DETERGENTU). Ponownie uruchom bieżący cykl poprzez WYŁĄCZENIE zmywarki, następnie włącz ją ponownie, wybierz nowy program, naciśnij przycisk START/Pauza i zamknij drzwiczki w przeciągu 4 sekund. Nie dodawaj żadnego detergentu.
	Naczynia nie zostały prawidłowo rozmieszczone.	Prawidłowo rozmieść naczynia (patrz ŁADOWANIE KOSZY).
	Filtr jest zatkany resztkami potraw lub kamieniem.	Oczyść zespół filtra (patrz UTRZYMANIE I KONSERWACJA).
Naczynia nie są czyste.	Naczynia nie zostały prawidłowo rozmieszczone.	Prawidłowo rozmieść naczynia (patrz ŁADOWANIE KOSZY).
	Ramiona natryskowe nie mogą obracać się swobodnie, zaczepiają się o naczynia.	Prawidłowo rozmieść naczynia (patrz ŁADOWANIE KOSZY). Sprawdź, czy górny kosz jest w prawidłowym położeniu i w razie potrzeby wyreguluj (podnieś).
	Cykl zmywania jest zbyt delikatny.	Wybierz odpowiedni cykl zmywania (patrz TABELA PROGRAMÓW).
	Występuje nadmierna ilość piany.	Porcja detergentu nie została poprawnie odmierzona, albo detergent nie nadaje się do stosowania w zmywarkach (patrz NAPEŁNIANIE DOZOWNIKA DETERGENTU).
	Pokrywka przegródki na płyn nablyszczający nie została prawidłowo zamknięta.	Upewnij się, czy dozownik płynu nablyszczającego jest zamknięty.
	Filtr jest zatkany resztkami potraw lub kamieniem.	Oczyść filtr i usuń kamień z urządzenia (patrz CZYSZCZENIE ZESPOŁU FILTRA).
Zbiornik soli jest pusty.	Napełnij zbiornik soli (patrz NAPEŁNIANIE ZBIORNIKA SOLI).	

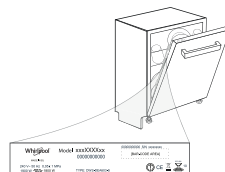
PROBLEMY	MOŻLIWE PRZYCZYNY	ROZWIĄZANIE
Zmywarka nie napełnia się wodą. Na wyświetlaczu widoczny jest komunikat: H2O i  się świeci; rozlega się alarm akustyczny.	Brak wody w sieci wodociągowej lub zawór jest zamknięty.	Sprawdź, czy woda dopływa z sieci wodociągowej lub czy zawór wody jest otwarty.
	Wąż dopływowy wody jest zagięty.	Sprawdź wąż dopływowy (patrz <i>INSTRUKCJA INSTALACJI</i>). Otwórz drzwiczki zmywarki, naciśnij przycisk START/Pauza i zamknij drzwiczki w przeciągu 4 sekund.
	Filtr siatkowy w wężu dopływowym wody jest zapchany; niezbędne jest jego oczyszczenie.	Sprawdź i oczyść filtr siatkowy w wężu dopływowym wody. Otwórz drzwiczki zmywarki, naciśnij przycisk START/Pauza i zamknij drzwiczki w przeciągu 4 sekund.
Zmywarka kończy cykl przedwcześnie. Na wyświetlaczu widoczny jest komunikat: F8 E3	Filtr jest zatkany resztkami potraw lub kamieniem.	Oczyść filtr i usuń kamień z urządzenia (patrz <i>CZYSZCZENIE ZESPOŁU FILTRA I INSTRUKCJA ODKAMIENIANIA</i>).
	Wąż odpływowy ustawiony zbyt nisko lub odprowadzanie wody za pomocą syfonu do domowej sieci kanalizacyjnej.	Sprawdź czy końcówka węża odpływowego jest ustawiona na odpowiedniej wysokości (patrz <i>INSTRUKCJA INSTALACJI</i>). Sprawdź czy woda nie jest odprowadzana za pomocą syfonu do domowej sieci kanalizacyjnej, i w razie potrzeby zamontować przerywacz syfonu/zawór napowietrzający.
	Występuje nadmierna ilość piany.	Porcja detergentu nie została poprawnie odmierzona, albo detergent nie nadaje się do stosowania w zmywarkach (patrz <i>NAPEŁNIANIE DOZOWNIKA DETERGENTU</i>).
	Powietrze w instalacji doprowadzenia wody.	Sprawdź czy w instalacji wodnej nie ma nieszczelności lub innych problemów umożliwiających dostęp powietrza.
Naczynia nie są dobrze wysuszone.	Brak płynu nablyszczającego lub dawka jest zbyt mała.	Upewnij się, że dozownik płynu nablyszczającego jest napełniony (patrz <i>NAPEŁNIANIE DOZOWNIKA PŁYNU NABŁYSZCZĄCEGO</i>). Same tabletki wielofunkcyjne do zmywarek nie zapewnią tak dobrych efektów suszenia, jak rzeczywiste używanie płynu nablyszczającego.
	Naczynia zostały wyładowane po automatycznym otwarciu drzwi, ale przed faktycznym zakończeniem cyklu.	Przed rozpoczęciem rozładowywania naczyń należy upewnić się, że cykl zakończył się (patrz <i>CO-DZIENNA EKSPLOATACJA</i>). W celu uzyskania jeszcze lepszych rezultatów suszenia zaleca się pozostawienie naczyń wewnątrz zmywarki z otwartymi drzwiami przez dodatkowe 15 minut po zakończeniu cyklu.
	Naczynia są ułożone zbyt płasko.	W przypadku zauważenia kałuż wody w zagłębieniach filiżanek, kubków lub misek, spróbuj załadować naczynia (zwłaszcza w górnym koszu), tak aby zapewnić większe nachylenie, w celu umożliwienia ściekania większej ilości wody przed rozpoczęciem suszenia.
	Wybrany cykl nie posiada fazy suszenia.	Prosimy sprawdzić w <i>TABELI PROGRAMÓW</i> , czy wybrany program jest wyposażony w fazę suszenia. Cykl bez fazy suszenia może nie zapewniać pożądanej wydajności suszenia, dlatego zaleca się zmianę wyboru cyklu na ten, który posiada fazę suszenia.
	Naczynia są wykonane z tworzywa sztucznego lub materiału antyadhezyjnego.	Trochę kropelek wody, pozostających na tego typu materiale, jest zjawiskiem normalnym.
Naczynia i szklanki mają niebieskie smugi lub niebieskawe odcienie.	Dozowanie płynu nablyszczającego jest nadmierne.	Zmień dozowanie na niższe ustawienia.
Naczynia i szklanki są pokryte wapiennym lub białawą warstwą.	Zbiornik soli jest pusty.	Jak najszybciej napełnij zbiornik solą. Używanie urządzenia bez soli może spowodować uszkodzenie jego podzespołów wewnętrznych.
	Twardość wody jest ustawiona na zbyt niską twardość.	Zwiększ ustawienie (patrz <i>TABELA TWARDOŚCI WODY</i>).
	Pokrywką zbiornika soli nie jest dokładnie zamknięta.	Sprawdź i zamknij pokrywkę zbiornika soli.
	Zbiornik płynu nablyszczającego jest pusty lub dozowanie płynu nablyszczającego jest niewystarczające.	Ponownie napełnij dozownik płynem nablyszczającym i sprawdź ustawienie dozowania (aby uzyskać więcej informacji, patrz <i>NAPEŁNIANIE DOZOWNIKA PŁYNU NABŁYSZCZĄCEGO</i>).
Zmywarka wyświetla komunikat F8 E5	Zawór jest zablokowany lub uszkodzony.	Jeśli to możliwe, zamknij zawór wody. Nie wyłączaj zasilania. Zadzwoń do serwisu.



Zasady, standardową dokumentację, informacje na temat zamawiania części zamiennych oraz dodatkowe informacje o produkcie można znaleźć:

- Używając kodu QR i odwiedzając naszą stronę internetową: docs.whirlpool.eu
- Odwiedzając naszą stronę internetową: parts-selfservice.whirlpool.com
- Ewentualnie można **skontaktować się z naszą obsługą posprzedażową** (patrz numer telefonu w książeczce gwarancyjnej). Kontaktując się z naszą obsługą posprzedażową, należy podać kody zamieszczone na tabliczce identyfikacyjnej produktu.

Informacje o modelu można uzyskać przy pomocy kodu QR podanego na etykiecie energetycznej. Etykieta zawiera również identyfikator modelu, którego można użyć do znalezienia informacji na portalu rejestru pod adresem <https://eprel.ec.europa.eu>.





VĂ MULȚUMIM CĂ AȚI ACHIZIȚIONAT UN PRODUS WHIRLPOOL. Pentru a beneficia de servicii complete de asistență, vă rugăm să vă înregistrați aparatul pe: www.whirlpool.eu/register

Înainte de a utiliza aparatul, citiți cu atenție instrucțiunile privind siguranța și de instalare. Mai multe informații despre produs sunt disponibile pe site-ul web: docs.whirlpool.eu

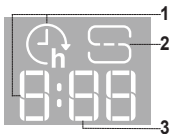
După instalare, nu uitați să îndepărtați toate piesele de protecție pentru transport ale mașinii de spălat vase.

PANOUL DE COMANDĂ



1. Buton **PORNIRE/OPRIRE/Resetare** cu indicator luminos
2. Butonul **programului Eco** cu indicator luminos
3. Butonul **programului Rapidă** cu indicator luminos/**programul Înmuiere** - apăsați 3 sec.
4. Butonul **programului Cristal** cu indicator luminos/**programul Auto-curățare** - apăsați 3 sec.
5. Butoanele **programelor Automate**, cu indicatoare luminoase - **Auto Intensiv 65°/ Auto Amestec 55°/ Auto Rapid 50°**
6. Indicator luminos al compartimentului pentru **Săruri gol**
7. Indicator luminos al compartimentului pentru agent de **Clătire gol**
8. **Afișaj**
9. **Indicator număr program și timp rămas**
10. Indicator luminos **pentru Robinet de apă închis**
11. Indicator luminos **DECALCIFIERE**
12. Butoanele **opțiunilor Extra**, cu indicatoare luminoase - **Încărcare pe jumătate/ Silențios/ Clătire igienizantă**
13. Butonul **opțiunii Power Clean®** cu indicator luminos
14. Butonul **opțiunii Uscare Extra** cu indicator luminos/**Setări** - apăsați 3 sec.
15. Butonul **opțiunii Întârziere** cu indicator luminos
16. Butonul **PORNIRE/Pauză** cu indicator luminos

AFIȘAJ PE PARDOSEALĂ



1. **Durată de temporizare afișată pe pardoseală** - indicatorul timpului rămas până la începerea ciclului, atunci când este setată opțiunea Întârziere
2. **Compartiment pentru săruri gol** - indicatorul luminos proiectat pe pardoseală
3. **Timp rămas afișat pe pardoseală** - indicatorul timpului rămas până la finalul ciclului

PRIMA UTILIZARE

MENIUL DE SETĂRI

1. Porniți aparatul apăsând pe butonul **PORNIRE/OPRIRE**.
2. Mențineți apăsat butonul **Setări** (Uscare Extra) timp de 3 secunde, până când auziți un semnal sonor și pe afișaj apare mesajul „**SET**”.
3. După o secundă va fi afișată prima setare disponibilă (litera „h”).
4. Apăsați pe **programe Automate** / **opțiuni Extra** pentru a derula lista de setări disponibile (consultați tabelul de mai jos), apoi apăsați pe **PORNIRE/Pauză** pentru a vizualiza și modifica valoarea setării selectate în mod actual.
5. Apăsați pe **programe Automate** / **opțiuni Extra** pentru a modifica valoarea, apoi apăsați pe **PORNIRE/Pauză** pentru a salva noua valoare.
6. Pentru a modifica o altă setare, repetați punctele 2 și 5.
7. Apăsați pe **PORNIRE/OPRIRE** sau așteptați 30 de secunde pentru a ieși din meniu.

LITERĂ	SETARE	VALORI (Implicit - cu caractere albine)
h	Nivel de duritate a apei (consultați „ SETAREA DURITĂȚII APEI ” și „ TABELUL DURITĂȚII APEI ”)	1 2 3 4 5
f	Nivelul agentului de clătire (consultați „ REGLAREA DOZEI DE AGENT DE CLĂTIRE ”)	0 1 2 3 4 5
□	NaturalDry (consultați „ OPȚIUNI ȘI FUNCȚII ”) „1” = Pornit, „0” = Oprit	1 0
h	Durată afișată pe pardoseală (consultați „ OPȚIUNI ȘI FUNCȚII ”) „1” = Pornit, „0” = Oprit	1 0
h	Sunset „1” = Pornit, „0” = Oprit	1 0
h	Setări din fabrică Apăsați pe PORNIRE/PAUZĂ pentru a restabili la setările implicite din fabrică toate valorile setărilor incluse în meniul de setări.	-

UMPLEREA COMPARTIMENTULUI PENTRU SĂRURI

Utilizarea sărurilor previne formarea **DEPUNERILOR DE CALCAR** pe vase și pe componentele funcționale ale mașinii. Compartimentul pentru săruri este amplasat în partea inferioară a mașinii de spălat vase (sub raftul inferior din stânga).

- Este obligatoriu ca **compartimentul pentru săruri să nu fie niciodată gol**.
- Este important să setați duritatea apei.
- Trebuie să alimentați cu săruri atunci când indicatorul luminos **NIVELUL SĂRURILOR** de pe panoul de comandă este aprins.



1. Demontați raftul inferior și desfiletați capacul compartimentului (în sens antiorar).
 2. Poziționați până (consultați figura) și umpleți compartimentul pentru săruri până la margine (aproximativ 0,5 kg); este perfect normal să curgă puțină apă în afară.
 3. **Numai la prima operațiune de acest fel: umpleți compartimentul pentru săruri cu apă.**
 4. Scoateți până și ștergeți resturile de săruri de pe deschidere. Asigurați-vă că este înfiletat bine capacul, astfel încât să nu intre detergent în compartiment în timpul programului de spălare (acest lucru poate avaria iremediabil instalația de dedurizare a apei).
- Rulați de fiecare dată un program imediat ce finalizați reumplerea compartimentului pentru săruri pentru a evita coroziunea.**

Setarea durității apei

Pentru a permite instalației de dedurizare a apei să funcționeze perfect, este esențial ca setarea durității apei să se bazeze pe nivelul de duritate a apei din locuința dumneavoastră. Aceste informații pot fi obținute de la furnizorul local de apă. Setarea din fabrică este „3”. Consultați **TABELUL DURITĂȚII APEI**. Pentru a modifica, urmați instrucțiunile din secțiunea „**MENIUL DE SETĂRI**”.

Tabelul durității apei			
Nivel	°dH Grade germane	°fH Grade franceze	°Clark Grade engleze
1 (moale)	0 - 6	0 - 10	0 - 7
2 (medie)	7 - 11	11 - 20	8 - 14
3 (normală)	12 - 16	21 - 29	15 - 20
4 (dură)	17 - 34	30 - 60	21 - 42
5 (foarte dură)	35 - 50	61 - 90	43 - 62

Utilizați numai săruri concepute special pentru mașini de spălat vase.

După ce ați introdus sărurile în mașină, indicatorul luminos de nivel al sărurilor se stinge. **Dacă compartimentul pentru săruri nu este umplut, este posibilă deteriorarea instalației de dedurizare a apei și a rezistenței din cauza acumulării depunerilor. Se recomandă utilizarea sării indiferent de tipul de detergent pentru mașina de spălat vase.**

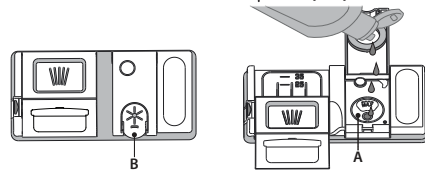
SISTEMUL DE DEDURIZARE A APEI

Sistemul de dedurizare a apei reduce automat duritatea apei, împiedicând astfel acumularea de depuneri pe încălzitor și contribuind, de asemenea, la creșterea eficienței de curățare. **Acest sistem se regenerează singur cu sare, de aceea este necesar să reumpleți recipientul pentru sare când este gol.** Frecvența regenerării depinde de setarea nivelului durității apei - regenerarea are loc odată la **4-6** cicluri Eco cu nivelul durității apei setat la **3**. Procesul de regenerare se activează la începutul ciclului, cu o cantitate suplimentară de apă proaspătă.

- Procesul de regenerare implică următorul consum: ~3 L de apă;
- Adaugă până la 5 minute suplimentare pe ciclu;
- Consumul de energie este sub 0,005 kWh.

UMPLEREA DOZATORULUI PENTRU AGENT DE CLĂTIRE

Agentul de clătire facilitează uscarea vaselor. Dozatorul pentru agentul de clătire **A** trebuie umplut atunci când indicatorul luminos de **NIVEL AL AGENTULUI DE CLĂTIRE** de pe panoul de comandă este aprins.



1. Deschideți dozatorul **B** apăsând și trăgând în sus clapeta de pe capac.
2. Introduceți cu grijă agentul de clătire până la marcajul de referință maxim (110 ml) al spațiului de umplere - evitați scurgerile. În caz contrar, curățați imediat folosind o lavetă uscată.
3. Apăsați capacul în jos până când auziți un clic de închidere. **Nu turnați NICIODATĂ agentul de clătire direct în cuvă.**

Reglarea dozei de agent de clătire

Dacă nu sunteți pe deplin mulțumit de rezultatele de uscare, puteți regla cantitatea de agent de clătire utilizat.

Pentru a modifica, urmați instrucțiunile din secțiunea „MENIUL DE SETĂRI”. Dacă nivelul de agent de clătire este setat la ZERO, nu se va alimenta cu agent de clătire. Indicatorul luminos pentru **NIVEL SCĂZUT DE AGENT DE CLĂTIRE** nu se va aprinde dacă agentul de clătire este consumat. Pot fi setate maxim 6 niveluri în conformitate cu modelul de mașină de spălat vase.

- Dacă observați urme albăstrui pe vase, setați un număr mic (0-3).
- Dacă există urme de apă sau depuneri de calcar pe vase, setați un număr mare (4-5).

UTILIZAREA ZILNICĂ

1. VERIFICAREA RACORDĂRII LA REȚEAUA DE ALIMENTARE CU APĂ

Verificați ca mașina de spălat vase să fie racordată la rețeaua de alimentare cu apă și ca robinetul să fie deschis.

2. PORNIREA MAȘINII DE SPĂLAT VASE

Deschideți ușa și apăsați pe butonul de **PORNIRE/OPRIRE**.

3. ÎNCĂRCAREA RAFTURILOR (consultați ÎNCĂRCAREA RAFTURILOR).

4. UMLEREA DOZATORULUI DE DETERGENT

5. SELECTAREA PROGRAMULUI ȘI PERSONALIZAREA CICLULUI

Selectați cel mai adecvat program în funcție de tipul de veselă și gradul de murdărie al acesteia (consultați secțiunea **DESCRIEREA PROGRAMELOR**) apăsând butonul **PROGRAMULUI** selectat.

Selectați opțiunile dorite (consultați **OPȚIUNI ȘI FUNCȚII**). Nu toate opțiunile sunt compatibile cu fiecare program.

6. PORNIREA

Porniți ciclul de spălare apăsând butonul de **PORNIRE/Pauză** (LED-ul este aprins) și închizând ușa în decurs de 4 sec. Când programul începe, este emis un semnal sonor unic. Dacă ușa nu este închisă în decursul a 4 secunde, se aude sunetul de alarmă. În acest caz, deschideți ușa, apăsați butonul **PORNIRE/Pauză** și închideți din nou ușa în 4 sec.

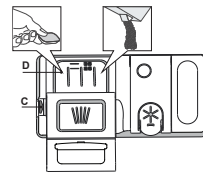
7. TERMINAREA CICLULUI DE SPĂLARE

Finalul ciclului de spălare este indicat prin emiteria unui semnal sonor și prin afișarea mesajului **END** (FINALIZAT). Deschideți ușa și opriți aparatul apăsând pe butonul de **PORNIRE/OPRIRE**.

Așteptați câteva minute înainte de a scoate vesela pentru a evita producerea arsurilor. Descărcați rafturile, începând cu cel inferior.

UMLEREA DOZATORULUI DE DETERGENT

Pentru a deschide dozatorul de detergent, folosiți dispozitivul de deschidere C. Introduceți detergent numai în compartimentul uscat D. Introduceți cantitatea de detergent pentru prespălare direct în cuvă.



1. Atunci când măsurați cantitatea de detergent, consultați informațiile menționate anterior pentru a adăuga cantitatea corespunzătoare. În interiorul dozatorului D există indicații care vă pot ajuta la dozarea detergentului.
2. Îndepărtați resturile de detergent de pe marginile dozatorului și închideți sonor capacul. Închideți capacul dozatorului de detergent trăgând în sus până când dispozitivul de închidere este fixat în poziție.

Dozatorul de detergent se deschide automat la momentul potrivit, în conformitate cu programul.

Utilizarea unui detergent care nu este conceput pentru mașinile de spălat vase poate provoca defecțiuni sau deteriorarea mașinii.

MODIFICAREA UNUI PROGRAM CARE RULEAZĂ

Dacă a fost selectat un program greșit, îl puteți schimba, cu condiția ca acesta să fi început de scurt timp. **RESETAREA** mașinii: apăsați și mențineți apăsat butonul de **PORNIRE/OPRIRE** timp de peste 3. sec., aparatul se va opri. **Pe panoul de comandă se va afișa „0:01”**. Închideți ușa și așteptați finalizarea ciclului de evacuare (aproximativ 1 minut). Deschideți ușa și reporniți mașina folosind butonul de **PORNIRE/OPRIRE**, apoi selectați noul ciclu de spălare și opțiunile dorite. Porniți ciclul apăsând butonul de **PORNIRE/Pauză** și închizând ușa în decurs de 4 sec.

ADĂUGAREA DE VASE SUPLIMENTARE

Fără a opri aparatul, deschideți mai întâi puțin ușa pentru a evita împingerea cu apă (LED-ul de **PORNIRE/Pauză** începe să se aprindă intermitent) (**Atenție! Abur fierbinte!**) și introduceți vesela în interiorul mașinii de spălat vase. Apăsați pe butonul **PORNIRE/Pauză** și închideți ușa în 4 sec.; astfel, ciclul va fi reluat din punctul în care a fost întrerupt.

ÎNTRERUPERI ACCIDENTALE

Dacă ușa este deschisă în timpul ciclului de spălare sau dacă s-a produs o pană de curent, ciclul se oprește. Ciclul va fi reluat din punctul în care a fost întrerupt **NUMAI DACĂ APĂSAȚI** butonul de **PORNIRE/Pauză** și închideți ușa în decurs de 4 sec.

SFATURI ȘI RECOMANDĂRI

RECOMANDĂRI

Înainte de a încărca rafturile, eliminați toate resturile de alimente de pe vase și goliți paharele. **Nu este necesar să le clătiți în prealabil sub jet de apă curentă.**

Aranjați vesela astfel încât să fie bine poziționată și să nu se răstoarne; de asemenea, aranjați recipientele cu deschiderile în jos și așezați înclinat articolele concave/convexe, pentru a permite apei să ajungă pe orice suprafață și să curgă liber.

Avertisment: capacele, mânerurile, tăvile și tigăile nu trebuie să împiedice rotirea brațelor de pulverizare.

Amplasați articolele mici în coșul pentru tacâmuri. Vasele și cratițele foarte murdare trebuie așezate pe raftul inferior deoarece în această zonă jeturile de apă sunt mai puternice și se înregistrează performanțe mai mari de spălare. După încărcarea aparatului, asigurați-vă că brațele de pulverizare se pot roti liber.

VESELĂ NECORESPUNZĂTOARE PENTRU SPĂLAREA ÎN MAȘINĂ

- Veselă și tacâmuri din lemn.
- Pahare cu decorațiuni delicate, veselă artizanală și veselă antică. Aceste decorațiuni nu sunt rezistente la spălarea în mașina de spălat vase.
- Articole din material sintetic care nu sunt rezistente la temperaturi ridicate.
- Veselă din cupru și cositor.
- Veselă murdară de cenușă, ceară, unsoare sau cerneală.

Culorile decorațiilor din pe articolele din sticlă și ale articolelor din aluminiu/argint se pot modifica și pot albi în timpul procesului de spălare. Unele tipuri de articole din sticlă (de exemplu, obiecte de cristal) pot deveni opace după câteva cicluri de spălare.

DETERIORAREA PAHARELOR ȘI A VESELEI

- Utilizați numai pahare și veselă din porțelan marcate de către producător ca fiind rezistente la spălarea în mașină.
- Utilizați un detergent delicat pentru veselă.
- Scoateți paharele și vesela din mașina de spălat vase imediat ce ciclul de spălare este finalizat.

RECOMANDĂRI PRIVIND ECONOMISIREA DE ENERGIE

- Atunci când mașina de spălat vase este folosită conform instrucțiunilor producătorului, **spălarea tacâmurilor într-o mașină de spălat vase consumă de obicei MAI PUȚINĂ ENERGIE și apă decât spălarea manuală.**
- Pentru a crește la maximum eficiența mașinii de spălat vase, se recomandă **inițierea ciclului de spălare după ce mașina este încărcată complet.** Încărcarea mașinii de spălat vase de uz domestic până la capacitatea indicată de producător va contribui la economii de energie și apă. Informații despre încărcarea corectă a vaselor pot fi găsite în capitolul **ÎNCĂRCAREA RAFTURILOR**. În cazul încărcării parțiale, se recomandă utilizarea opțiunilor de spălare dedicate, dacă sunt disponibile (Half load/ Zone Wash/ Multizone), adăugând vase doar pe rafturile selectate. Încărcarea incorectă sau supraîncărcarea mașinii de spălat vase poate crește utilizarea resurselor (cum ar fi apa, energia și timpul, precum și nivelul de zgomot), reducând performanțele de curățare și uscare.
- Pre-clătirea manuală a vaselor duce la creșterea consumului de apă și energie și nu este recomandată.

IGIENĂ

Pentru a evita acumularea mirosurilor neplăcute și a sedimentelor în mașina de spălat vase, **vă rugăm să rulați un program de temperatură ridicată cel puțin o dată pe lună.** Folosiți o măsură de detergent și rulați un program fără a încărca vase pentru a curăța aparatul.

REZISTENȚA LA ÎNGHEȚ

Dacă mașina de spălat vase este amplasată într-un loc expus riscului de îngheț, aceasta **trebuie să fie golită complet.** Închideți robinetul de apă, scoateți furtunurile de alimentare și de evacuare și lăsați întreaga cantitate de apă să se scurgă. Pentru a asigura protecția aparatului la temperaturi de până la -20 °C, **asigurați-vă că compartimentul pentru săruri este plin cu săruri regenerante dizolvate în produsul de dedurizare a apei.** Dacă mașina de spălat vase a fost depozitată în condiții de îngheț, aceasta trebuie menținută la o temperatură ambientală de min. 5 °C timp de cel puțin 24 de ore înainte de prima sa punere în funcțiune.

TABEL CU PROGRAME

Program	Descrierea programelor	Durate de uscare	NaturalDry	Opțiuni disponibile *)	Durata programului de spălare (h:min)**	Consum de apă (litri/ciclu)	Consum de energie (kWh/ciclu)
Eco	Eco 50° - Programul Eco este potrivit pentru curățarea tacâmurilor cu un grad mediu de murdărie, fiind cel mai eficient program pentru această utilizare din punct de vedere al consumului combinat de energie și apă și este utilizat pentru a evalua respectarea legislației UE de proiectare ecologică.	✓	✓		3:30	9,5	0,76
Rapid	Rapid 45° - Programul este recomandat pentru o cantitate limitată de vase, cu un grad redus de murdărie, fără resturi de alimente uscate. Nu include etapa de uscare.	-	✓		0:30 - 0:40	10,0 - 12,0	0,55 - 0,65
Cristal	Cristal 45° - Program pentru articole delicate, mai sensibile la temperaturi ridicate, de exemplu pahare și cești.	✓	✓		1:40 - 1:50	12,5 - 16,5	0,95 - 1,20
Auto Intensiv	Auto Intensiv 65° - Program automat pentru vase și cratițe cu grad ridicat de murdărie. Detectează gradul de murdărie a vaselor și adaptează programul în funcție de acesta. În momentul în care senzorul detectează gradul de murdărie, pe afișaj apare o animație și durata ciclului se actualizează.	✓	✓		2:25 - 3:10	15,5 - 24,5	1,30 - 1,70
Auto Amestec	Auto Amestec 55° - Program automat pentru vesela cu un grad mediu de murdărie, cu reziduri de alimente uscate.	✓	✓		1:20 - 3:00	7,5 - 19,5	0,75 - 1,20
Auto Rapid	Auto Rapid 50° - Program automat pentru vesela cu un grad mediu sau redus de murdărie. Ciclu zilnic care asigură performanțe optime de curățare și uscare într-un timp mai scurt.	✓	✓		1:00 - 1:50	7,5 - 15,5	0,70 - 1,10
Prespălare	Prespălare - Utilizat pentru a împășpăta vasele care trebuie să fie spălate mai târziu. A nu se utiliza detergent cu acest program.	-	✓		0:12	4,5	0,10
Autocurățare	Autocurățare 65° - Utilizați acest program pentru a efectua întreținerea mașinii de spălat vase; a se realiza numai când mașina de spălat vase este GOALĂ, utilizând detergenți special concepuți pentru întreținerea mașinii de spălat vase	-	-		1:15	11,0	1,10

Datele programului ECO sunt stabilite în condiții de laborator, în conformitate cu standardul european EN 60436:2020.

Notă pentru laboratoarele de testări: pentru informații privind condițiile testului comparativ EN, trimiteți o solicitare la adresa: dw_test_support@whirlpool.com

Nu este necesară tratarea în prealabil a vaselor înaintea oricăruia dintre aceste programe.

*) Nu toate opțiunile pot fi utilizate simultan.

**) Valorile date pentru alte programe diferite de programul Eco sunt doar orientative. Durata actuală poate varia în funcție de o multitudine de factori, cum ar fi temperatura și presiunea apei la intrare, temperatura încăperii, cantitatea de detergent, dimensiunea și tipul încărcăturii, distribuția încărcăturii, opțiunile suplimentare selectate și calibrarea senzorului. Calibrarea senzorului poate mări durata programului cu până la 20 min.

OPȚIUNI ȘI FUNCȚII

OPȚIUNILE pot fi selectate/deselectate, după selectarea programului, apăsând direct pe butonul corespunzător (dacă există - indicatorul se aprinde) (consultați PANOUL DE COMANDĂ). Dacă o opțiune nu este compatibilă cu programul selectat, (consultați TABEL CU PROGRAME), LED-ul aferent clipește rapid de 3 ori și sunt emise semnale sonore. Opțiunea nu va fi activată. O opțiune poate modifica durata sau consumul de apă sau energie pentru programul respectiv.

1/2 ÎNCĂRCARE PE JUMĂTATE - Dacă nu aveți multe vase de spălat, funcția ÎNCĂRCARE PE JUMĂTATE este utilizată pentru a se economisi apă, energie electrică sau timp, în funcție de programul selectat.
Nu uitați să reduceți cantitatea de detergent.

SILENȚIOS - Adecvat pentru funcționarea aparatului pe timpul nopții. Această opțiune poate fi utilizată pentru limitarea emisiilor de zgomot din timpul etapelor de spălare. Aceasta va prelungi durata ciclului, în funcție de ciclul de bază selectat.

CLĂTIRE IGIENIZANTĂ - Această opțiune poate fi utilizată pentru a igieniza vasele spălate. Va crește temperatura în cadrul clătirii finale și va adăuga un ciclu de spălare cu acțiune antibacteriană la programul selectat. Ideal pentru a curăța vesela și biberoanele. Ușa mașinii de spălat vase trebuie să fie ținută închisă pe întreaga durată a programului, pentru a se garanta reducerea numărului de microbi.
ENT: vasele și tăvile pot fi foarte fierbinți la terminarea ciclului.

POWER CLEAN® - Datorită jeturilor cu putere suplimentară, această opțiune oferă o spălare mai intensivă și mai puternică în coșul inferior, într-o anumită zonă. Această opțiune este recomandată pentru spălarea oalelor și a cratițelor (consultați secțiunea privind încărcarea Power Clean®).

+USCARE EXTRA - Temperatura mai înaltă în timpul clătirii finale și etapa de uscare extinsă permit uscarea îmbunătățită. Utilizarea opțiunii USCARE EXTRA determină prelungirea ciclului de spălare.

ÎNTĂRZIERE - Pornirea programului poate fi amânată pentru o perioadă de timp cuprinsă între **30** de minute și **24** de ore.

1. Selectați programul și opțiunile dorite. Apăsăți pe butonul ÎNTĂRZIERE (în mod repetat) pentru a amâna pornirea programului. Se poate regla de la 0:30 la 24 de ore. Odată atinsă setarea de 24 de ore, apăsați încă o dată pe ÎNTĂRZIERE pentru a dezactiva funcția ÎNTĂRZIERE.

2. Închideți ușa și apăsați butonul PORNIRE/PAUZĂ. Temporizatorul va începe număratoarea inversă.

3. După finalizarea perioadei de timp setate, indicatorul luminos se stinge, iar programul pornește automat.

Funcția ÎNTĂRZIERE nu poate fi setată după pornirea programului.

ROBINET DE APĂ ÎNCHIS - Alarma - Clipește când alimentarea cu apă nu funcționează sau robinetul de apă este închis.

DURATĂ AFIȘATĂ PE PARDOSEALĂ - O lumină cu LED proiectată pe pardoseală indică durata de timp rămasă până la finalul ciclului. Lumina se stinge de fiecare dată când este deschisă ușa. La încheierea ciclului, lumina se stinge. Această caracteristică este activă în mod implicit, însă poate fi dezactivată din „MENIUL SETĂRI”.

DECALCIFIERE - Alarmă - S-a detectat acumulare de calcar pe componentele interne ale aparatului. Verificați **Setarea durității apei** prezintă valoarea corectă și dacă sărurile sunt prezente în recipientul pentru săruri (consultați PRIMA UTILIZARE), **apoi utilizați un produs de decalcifiere** (se recomandă marca WPro) împreună cu **programul Autocurățare**. După o decalcifiere reușită, pictograma va dispărea de pe afișaj.

Dacă acțiunile de mai sus nu sunt efectuate, performanța produsului va fi redusă. Avertismentul DECALCIFIERE va începe să clipească și alarma «dES» va apărea pe afișaj. Dacă nu este efectuată nicio acțiune, aparatul va permite doar pornirea unui anumit număr de cicluri (indicat în timpul afișării alarmei «dES»), apoi se va **BLOCA** pentru a preveni deteriorarea componentelor, **doar programul Autocurățare fiind disponibil**. Efectuarea unei decalcifieri complete va debloca produsul. În cazul unei cantități extrem de ridicate de calcar, este posibil să trebuiască să efectuați decalcifierea de două ori pentru ca aceasta să fie eficientă.

NaturalDry - Este un sistem de uscare prin convecție, care deschide automat ușa în timpul desfășurării/după desfășurarea etapei de uscare pentru a asigura performanțe excepționale de uscare în fiecare zi. Ușa se deschide la o temperatură care este sigură pentru mobilierul din bucătăria dumneavoastră, astfel ușa nu va fi deschisă atunci când este activă opțiunea CLĂTIRE IGIENIZANTĂ.

Ca protecție suplimentată împotriva acțiunii aburilor, se poate adăuga și o folie de protecție specială pe mașina de spălat vase. Pentru a afla cum trebuie montată folia de protecție, vă rugăm să consultați GHIDUL DE INSTALARE. Această funcție este activă în mod implicit, dar poate fi dezactivată în „MENIUL DE SETĂRI”.

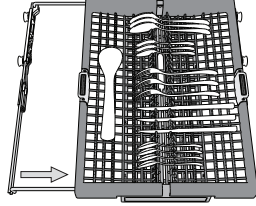
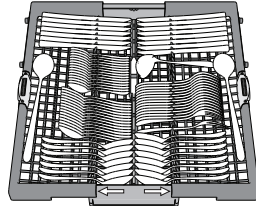
DETECTARE - Atunci când senzorul detectează gradul de murdărie, pe afișaj apare o animație (de aproximativ 20 min.), iar durata ciclului este actualizată. Opțiunea Detectare evaluează gradul de murdărie a vaselor și este disponibilă la toate ciclurile (cu excepția ciclului Eco), reglând în mod corespunzător programul.

COȘUL PENTRU TACĂMURI

Al treilea nivel a fost conceput pentru depozitarea tacămurilor. Aranjați tacămurile conform indicațiilor din figură. Aranjarea separată a tacămurilor permite scoaterea cu ușurință a acestora după spălare și optimizează performanțele de spălare și uscare.

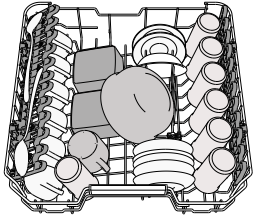
Tuțetele și alte ustensile cu margini ascuțite trebuie poziționate cu lamele în jos.

Coșul pentru tacămuri este dotat cu două tăvi laterale culisante pentru a profita din plin de înălțimea spațiului de dedesubt, permițând astfel încărcarea articolelor înalte pe raftul superior.

**COȘUL SUPERIOR**

Încărcați vasele delicate și ușoare: pahare, cești, farfuriile, boluri pentru salată puțin adânci. Raftul superior este prevăzut cu suporturi rabatabile care pot fi utilizate în poziție verticală pentru aranjarea farfuriilor pentru cești de ceai/pentru desert, sau în poziție mai joasă pentru a introduce castroane și caserole.

(exemplu de încărcare pentru raftul superior)

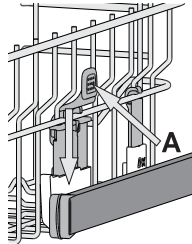
**Reglarea înălțimii raftului superior**

Înălțimea raftului superior poate fi reglată: în poziție înaltă pentru a introduce vesela voluminoasă pe raftul inferior și în poziție joasă pentru a profita din plin de suporturile rabatabile, creând mai mult spațiu în partea superioară și evitând ciocnirea cu articolele de pe raftul inferior.

Raftul superior este prevăzut cu un **mecanism de reglare a înălțimii raftului superior** (consultați figura); fără a apăsa pe manete, ridicați în sus ținând pur și simplu de părțile laterale ale raftului, și fixați imediat ce raftul este stabil în poziția de sus.

Pentru a reveni în poziția inferioară, apăsați pe manetele **A** din părțile laterale ale raftului și deplasați-l în jos.

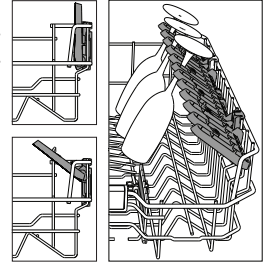
Vă recomandăm cu insistență să nu reglați înălțimea raftului atunci când acesta este încărcat. Nu ridicați și nu coborâți NICIODATĂ raftul numai pe o singură parte.

**Clapete rabatabile cu poziție reglabilă**

Clapetele rabatabile laterale pot fi pliate sau depilate pentru a optimiza aranjarea vasei pe raft. Paharele pentru vin pot fi așezate în siguranță pe clapetele rabatabile, introducând picioarele acestora în fantele corespunzătoare.

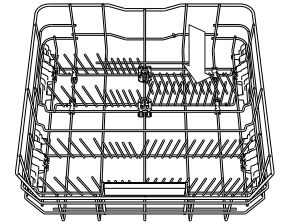
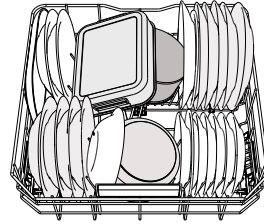
În funcție de model:

- pentru a depila clapetele, este necesar să le glisați în sus și să le rotiți sau să le eliberați din clemele de fixare, trăgându-le în jos.
- pentru a plia clapetele, este necesar să le rotiți și să le glisați în jos sau să le trageți în sus și să le fixați pe poziție.

**COȘUL INFERIOR**

Pentru oale, capace, farfurii, boluri pentru salată, tacămuri etc. În mod ideal, farfuriile și capacele mari trebuie amplasate în părțile laterale, pentru a se evita interferențele cu brațul de pulverizare.

Raftul inferior este prevăzut cu suporturi rabatabile care pot fi utilizate în poziție verticală pentru aranjarea farfuriilor sau în poziție orizontală (joasă) pentru încărcarea cu ușurință a cratițelor și bolurilor pentru salată.



(exemplu de încărcare pentru raftul inferior)

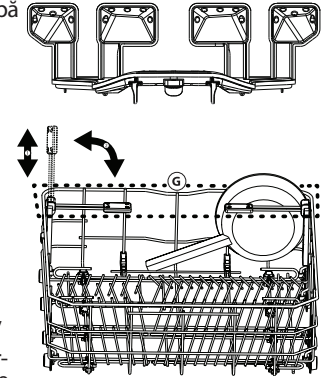
POWER CLEAN®

Power Clean® folosește jeturile speciale de apă din partea posterioară a cavității pentru a spăla intensiv articolele foarte murdare. Raftul inferior este prevăzut cu o **zonă de economisire a spațiului**, un suport special care se trage din partea din spate a raftului și care poate fi utilizat pentru a susține tigăile sau tăvile de copt în poziție verticală, astfel ocupându-se mai puțin spațiu.

Poziționând oalele/cratițele cu fața spre componenta Power Clean®, vă rugăm să activați **POWER CLEAN** pe panou

Utilizarea Power Clean®:

1. Reglați zona Power Clean® (G) rabatănd în jos suporturile din spate pentru farfurii, pentru a încărca oalele.
2. Încărcați oalele și cratițele înclinate pe verticală în zona Power Clean®. Oalele trebuie să fie înclinate spre jeturile intensive de apă.

**CURĂȚAREA ȘI ÎNTREȚINEREA****CURĂȚAREA ANSAMBLULUI DE FILTRE**

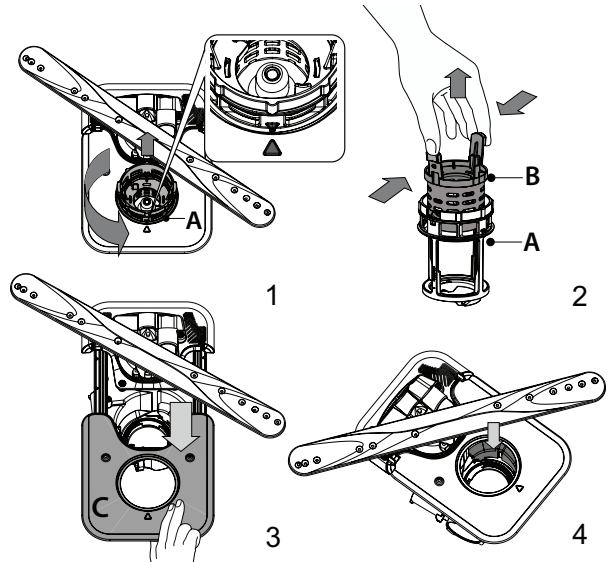
Curățați în mod regulat ansamblul de filtre astfel încât filtrele să nu se înfundă și apa reziduală să fie evacuată în mod corespunzător. Utilizarea mașinii de spălat vase cu filtre înfundate sau obiecte străine în interiorul sistemului de filtrare sau al brațelor de pulverizare poate provoca defecțiuni ale unității, conducând la scăderea performanței, creșterea nivelului de zgomot sau utilizarea mai multor resurse. Ansamblul de filtre este alcătuit din trei filtre care îndepărtează resturile de alimente din apa de spălare, permițând apoi recircularea acesteia.

Mașina de spălat vase nu trebuie utilizată fără filtre sau dacă un filtru este desprins.

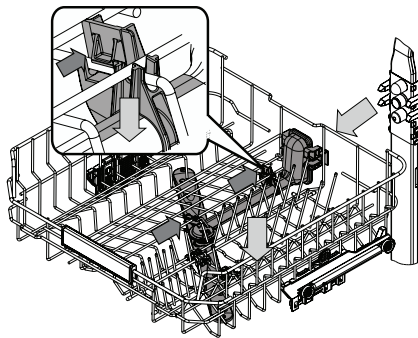
Cel puțin o dată pe lună sau după fiecare 30 de cicluri, verificați ansamblul de filtre și, dacă este necesar, curățați-l temeinic sub jet de apă curentă, folosind o perie nemetalică și respectând instrucțiunile de mai jos:

1. Rotiți filtrul cilindric **A** în sens antiorar și scoateți-l afară (Fig 1). **La reinstalarea filtrului este important ca cele două triunghiuri indicate pe imaginea mărită să se întâlnească.**
2. Demontați filtrul în formă de ceașcă **B** apăsând ușor pe clapetele laterale (Fig 2).
3. Culisați în afară placa din oțel inoxidabil a filtrului **C** (Fig 3).
4. În cazul în care găsiți obiecte străine (cum ar fi sticlă spartă, porțelan, oase, semințe de fructe etc.), **vă rugăm să le îndepărtați cu atenție.**
5. Examinați obturațiile și îndepărtați resturile de alimente. **NU DEMONTAȚI NICIODATĂ** protecția pompei acționate în timpul ciclului de spălare (indicate de o săgeată) (Fig 4).

După curățarea filtrelor, montați la loc ansamblul de filtre și fixați-l în poziția corectă; acest lucru este esențial pentru menținerea funcționării eficiente a mașinii de spălat vase.

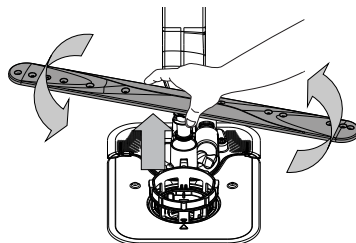


CURĂȚAREA BRAȚELOR DE PULVERIZARE

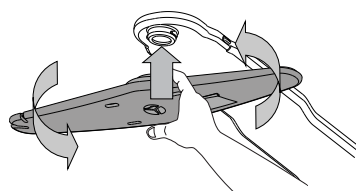


Ocazional, resturile de alimente se pot usca pe brațele de pulverizare și pot bloca orificiile de pulverizare a apei. Prin urmare, se recomandă să verificați brațele din când în când și să le curățați folosind o perie nemetalică mică.

Pentru a scoate brațul de pulverizare superior, trebuie să-l demontați împreună cu colecturul.



Brațul de pulverizare inferior poate fi demontat prin tragere în sus și rotire în sens antiorar. Remontarea brațului de pulverizare se realizează prin tragere în jos și rotire în sens orar.



Brațul de pulverizare superior poate fi demontat prin împingere în sus și apoi rotindu-l în sens antiorar. Remontarea brațului de pulverizare se realizează prin tragere în sus și rotire în sens orar.

REMEDIEREA PROBLEMELOR

În cazul în care mașina de spălat vase nu funcționează corect, verificați dacă problema poate fi remediată parcurgând lista de mai jos. Pentru alte erori sau probleme, vă rugăm să contactați serviciul de asistență tehnică post-vânzare autorizat, ale cărui date de contact pot fi găsite în certificatul de garanție. Piesele de schimb vor fi disponibile pentru o perioadă de până la 7 sau până la 10 ani, în conformitate cu cerințele normelor specifice.

PROBLEME	CAUZE POSIBILE	SOLUȚII
Indicatorul nivelului de săruri este aprins	Compartimentul pentru săruri este aproape gol.	Reumpleți cu săruri compartimentul (pentru mai multe informații, consultați <i>UMPLEREA COMPARTIMENTULUI PENTRU SĂRURI</i>). Dacă este necesar, verificați gradul de duritate a apei - consultați tabelul de la <i>TABELUL DURITĂȚII APEI</i> .
Indicatorul nivelului de săruri se aprinde intermitent	Compartimentul pentru săruri este gol.	Reumpleți cu săruri compartimentul cât mai curând posibil. Utilizarea fără săruri a aparatului poate duce la deteriorarea componentelor interne ale acestuia.
Indicatorul nivelului de agent de clătire se aprinde intermitent	Dozatorul de agent de clătire este gol. (După reumplere, indicatorul nivelului de agent de clătire poate rămâne aprins pentru scurt timp).	Reumpleți cu agent de clătire dozatorul (pentru mai multe informații, consultați <i>UMPLEREA DOZATORULUI PENTRU AGENT DE CLĂTIRE</i>).
Indicatorul de decalcifiere este aprins continuu sau se aprinde intermitent; este afișată alarma „DES”.	Pe componentele interne ale aparatului se formează depuneri de calcar.	Decalcificați imediat aparatul utilizând programul Autocurățare și un produs de decalcifiere din comerț (consultați <i>OPȚIUNI ȘI FUNCȚII</i>). Reumpleți cu săruri compartimentul. Verificați gradul de duritate de apei. Dacă aparatul nu este decalcificat, acesta nu va mai funcționa.
Mașina de spălat vase nu pornește sau nu răspunde la comenzi.	Aparatul nu a fost conectat la priză în mod corespunzător.	Introduceți ștecherul în priză.
	Pană de curent.	Din motive de siguranță, mașina de spălat vase nu va reporni automat la restabilirea alimentării cu energie. Deschideți ușa mașinii de spălat vase, apăsați butonul PORNIRE/Pauză și închideți ușa în 4 secunde.
	Ușa mașinii de spălat vase nu este închisă. Știftul NaturalDry nu este tras.	Împingeți ferm ușa până când auziți un „clic”.
	Un ciclu aflat în desfășurare este întrerupt dacă ușa este deschisă pentru mai mult de 4 secunde.	Apăsați butonul de PORNIRE/Pauză și închideți ușa în decurs de 4 secunde.
	Panoul de comandă nu reacționează sau se afișează F6 E1 .	Opriti aparatul apăsând pe butonul de PORNIRE/OPRIRE/Resetare, reporniți-l după aproximativ un minut și reporniți programul. Dacă problema persistă, deconectați aparatul timp de 1 minut, iar apoi conectați-l din nou.
Mașina de spălat vase nu evacuează apa. Pe afișaj apare: F7 E3 sau F9 E1	Filtrul este înfundat cu resturi de alimente sau depuneri de calcar.	Curățați filtrul și decalcificați aparatul (consultați secțiunea <i>CURĂȚAREA ANSAMBLULUI DE FILTRE ȘI INSTRUCȚIUNI PRIVIND DECALCIFIEREA</i>).
	Furtunul de evacuare este indoit.	Verificați furtunul de evacuare (consultați secțiunea <i>INSTRUCȚIUNI DE INSTALARE</i>).
	Conducta de evacuare a chiuvetei este blocată.	Curățați conducta de evacuare a chiuvetei.
Mașina de spălat vase produce un zgomot excesiv.	Vasele se lovesc unele de celelalte.	Aranjați corect vesela (consultați secțiunea <i>ÎNCĂRCAREA RAFTURILOR</i>).
	Există o cantitate excesivă de spumă.	Cantitatea de detergent nu a fost măsurată corect sau detergentul nu este adecvat pentru utilizarea în mașini de spălat vase (consultați secțiunea <i>UMPLEREA DOZATORULUI DE DETERGENT</i>). Reporniți ciclul curent prin oprirea mașinii de spălat vase, apoi reporniți-o, selectați un program nou, apăsați butonul PORNIRE/Pauză și închideți ușa în decurs de 4 secunde. Vă rugăm să nu mai adăugați detergent.
	Vesela nu a fost aranjată corespunzător.	Aranjați corect vesela (consultați secțiunea <i>ÎNCĂRCAREA RAFTURILOR</i>).
	Filtrul este înfundat cu resturi de alimente sau depuneri de calcar.	Curățați ansamblul de filtre (consultați secțiunea <i>CURĂȚAREA ȘI ÎNȚEȚINEREA</i>).
Vasele nu sunt curate.	Vesela nu a fost aranjată corespunzător.	Aranjați corect vesela (consultați secțiunea <i>ÎNCĂRCAREA RAFTURILOR</i>).
	Brațele de pulverizare nu se pot roti liber deoarece sunt obstrucționate de vase.	Aranjați corect vesela (consultați secțiunea <i>ÎNCĂRCAREA RAFTURILOR</i>). Asigurați-vă că raftul superior este în poziție corectă și reglați-l (ridicați-l) dacă este necesar.
	Ciclul de spălare este prea lejer.	Selectați un ciclu de spălare corespunzător (consultați <i>TABEL CU PROGRAME</i>).
	Există o cantitate excesivă de spumă.	Cantitatea de detergent nu a fost măsurată corect sau detergentul nu este adecvat pentru utilizarea în mașini de spălat vase (consultați secțiunea <i>UMPLEREA DOZATORULUI DE DETERGENT</i>).
	Capacul compartimentului pentru agent de clătire nu a fost închis corect.	Asigurați-vă că este închis capacul dozatorului pentru agent de clătire.
	Filtrul este înfundat cu resturi de alimente sau depuneri de calcar.	Curățați filtrul și decalcificați aparatul (consultați secțiunea <i>CURĂȚAREA ANSAMBLULUI DE FILTRE</i>).
	Compartimentul pentru săruri este gol.	Umpleți compartimentul pentru săruri (consultați <i>UMPLEREA COMPARTIMENTULUI PENTRU SĂRURI</i>).

PROBLEME	CAUZE POSIBILE	SOLUȚII
Mașina de spălat vase nu încarcă apă. Pe afișaj apare: H2O și Ø sunt aprinse; se activează o alarmă sonoră.	Nu există apă în rețeaua de alimentare sau robinetul este închis.	Asigurați-vă că există apă în rețeaua de alimentare și că robinetul de apă este deschis.
	Furtunul de alimentare cu apă este îndoit.	Verificați furtunul de alimentare (<i>consultați secțiunea INSTALAREA</i>). Deschideți ușa mașinii de spălat vase, apăsați butonul PORNIRE/Pauză și închideți ușa în 4 secunde.
	Sita furtunului de alimentare cu apă este înfundată; aceasta necesită curățare.	Verificați și curățați sita din furtunul de alimentare cu apă. Deschideți ușa mașinii de spălat vase, apăsați butonul PORNIRE/Pauză și închideți ușa în 4 secunde.
Mașina de spălat vase încheie prematur ciclul. Pe afișaj apare: F8 E3	Filtrul este înfundat cu resturi de alimente sau depuneri de calcar.	Curățați filtrul și decalcificați aparatul (<i>consultați secțiunea CURĂȚAREA ANSAMBLULUI DE FILTRE și INSTRUCȚIUNI PRIVIND DECALCIFIEREA</i>).
	Furtunul de evacuare este poziționat prea jos sau evacuează apa în sistemul de canalizare local.	Verificați dacă furtunul de evacuare este poziționat la înălțimea corectă (<i>consultați secțiunea INSTALAREA</i>). Verificați dacă evacuarea se realizează în sistemul de canalizare local și instalați un întrerupător de sifon/o supapă de admisie a aerului dacă este necesar.
	Există o cantitate excesivă de spumă.	Cantitatea de detergent nu a fost măsurată corect sau detergentul nu este adecvat pentru utilizarea în mașini de spălat vase (<i>consultați secțiunea UMLEREA DOZATORULUI DE DETERGENT</i>).
	Există aer în rețeaua de alimentare cu apă.	Verificați alimentarea cu apă pentru a vă asigura că nu există scurgeri sau alte probleme care lasă aerul să pătrundă în interior.
Vasele nu sunt uscate bine.	Nu există agent de clătire sau dozarea este insuficientă.	Asigurați-vă că dozatorul pentru agentul de clătire este umplut (<i>consultați secțiunea UMLEREA DOZATORULUI PENTRU AGENT DE CLĂTIRE</i>). Utilizarea exclusivă a tabletelor multifuncționale nu va asigura efecte de uscare corespunzătoare ca în cazul utilizării unui agent de clătire lichid.
	Vasele au fost scoase din aparat după deschiderea automată a ușii, însă înainte de finalizarea ciclului propriu-zis.	Înainte de a începe să scoateți vasele, asigurați-vă că ciclul s-a încheiat (<i>consultați secțiunea UTILIZAREA ZILNICĂ</i>). Pentru rezultate de uscare și mai bune, este recomandat să mai lăsați vasele în interiorul mașinii de spălat vase, cu ușa acesteia deschisă, timp de încă 15 minute după finalizarea ciclului.
	Vasele sunt așezate într-o poziție prea orizontală.	Dacă observați acumulări de apă în interiorul ceștilor, cănilor sau castroanelor, încercați să încercați vasele (în special pe raftul superior) într-o poziție mai înclinată pentru a permite scurgerea cantităților mari de apă înainte de începerea procesului de uscare.
	Ciclul selectat nu are o etapă de uscare.	Verificați în <i>TABEL CU PROGRAME</i> dacă programul selectat include o etapă de uscare. Este posibil ca un ciclu care nu include o etapă de uscare să nu asigure eficiența de uscare dorită, motiv pentru care este recomandat să schimbați ciclul selectat cu unul care are inclusă o etapă de uscare.
	Vasele sunt fabricate din material antiaderent sau din plastic.	Rămânerea câtorva picături de apă pe acest tip de material reprezintă un fenomen normal.
Vasele și paharele au dăre albastre sau nuanțe albastrii.	Doza de agent de clătire este prea mare.	Reglați dozarea la o treaptă mai mică.
Vasele și paharele sunt acoperite cu depuneri de calcar sau cu o peliculă albă.	Compartimentul pentru săruri este gol.	Reumpleți cu săruri compartimentul cât mai curând posibil. Utilizarea fără săruri a aparatului poate duce la deteriorarea componentelor interne ale acestuia.
	Treapta de reglare a gradului de duritate a apei este prea scăzută.	Creșteți treapta de reglare (<i>consultați TABELUL DURITĂȚII APEI</i>).
	Capacul compartimentului pentru săruri nu este închis corespunzător.	Verificați capacul compartimentului pentru săruri și închideți-l.
	Compartimentul pentru agent de clătire este gol sau dozarea agentului de clătire este insuficientă.	Reumpleți cu agent de clătire dozatorul și verificați setarea dozării (pentru mai multe informații, consultați <i>UMLEREA DOZATORULUI PENTRU AGENT DE CLĂTIRE</i>).
Mașina de spălat vase afișează mesajul F8 E5	Supapa este înfundată sau defectă.	Închideți robinetul de apă dacă este posibil. Nu deconectați aparatul de la rețeaua de alimentare cu energie electrică. Contactați departamentul de service.

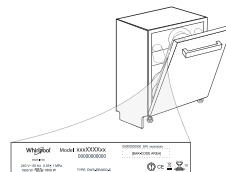


Puteți găsi politicile, documentația standard, informațiile despre comandarea pieselor de schimb și informațiile suplimentare despre produs:

- Utilizând codul QR și vizitând site-ul nostru web: docs.whirlpool.eu
- Vizitând site-ul nostru web: parts-selfservice.whirlpool.com
- Ca alternativă, **contactați serviciul nostru de asistență tehnică post-vânzare** (consultați numărul de telefon din certificatul de garanție). Când contactați serviciul nostru de asistență tehnică post-vânzare, vă rugăm să precizați codurile specificate pe plăcuța cu date de identificare a produsului dumneavoastră.

Informațiile modelului pot fi accesate folosind codul QR indicat pe eticheta energetică.

Eticheta include, de asemenea, identificatorul de model care poate fi utilizat pentru a consulta portalul de înregistrare la <https://eprel.ec.europa.eu>.





ĎAKUJEME, ŽE STE SI KÚPILI VÝROBOK WHIRLPOOL.
Ak chcete získať komplexnejšiu pomoc a podporu, zaregistrujte, prosím, svoj spotrebič na: www.whirlpool.eu/register

Pred použitím spotrebiča si starostlivo prečítajte bezpečnostné pokyny a návod na inštaláciu. Viac informácií o výrobku nájdete na webovej stránke: docs.whirlpool.eu



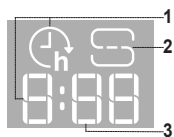
Po inštalácii nezabudnite odstrániť z umývačky všetky súčiastky na ochranu pri preprave.

OVLÁDACÍ PANEL



1. Tlačidlo ZAP./VYP./Reštart s kontrolkou
2. Tlačidlo Eko program s kontrolkou
3. Tlačidlo programu Rýchly s kontrolkou/ program Predumývanie - stlačiť na 3 sekundy
4. Tlačidlo programu Kríšťalové s kontrolkou/ program Autočistenie - stlačiť na 3 sekundy
5. Tlačidlá Automatických programov s kontrolkami - Auto Intenzívny 65°/ Auto Zmiešaný 55°/ Auto Rýchly 50°
6. Kontrolka prázdny zásobník soli
7. Kontrolka prázdny zásobník leštidla
8. Displej
9. Ukazovateľ čísla programu a zostávajúceho času
10. Kontrolka Zatvorený vodovodný ventil
11. Kontrolka ODVÁPNIŤ
12. Tlačidlá Extra možností s kontrolkami - Polovičná náplň/ Tichý/ Hygienické oplachovanie
13. Tlačidlo možnosti Power Clean® s kontrolkou
14. Tlačidlo Extra Sušenie s kontrolkou/ Nastavenia - stlačiť na 3 sekundy
15. Tlačidlo Odklad s kontrolkou
16. Tlačidlo ŠTART/Pauza s kontrolkou

ZOBRAZENIE NA DLÁŽKE



1. Čas odkladu na dlážke - ukazovateľ času, ktorý zostáva do začiatku cyklu, keď je nastavená funkcia odkladu
2. Zásobník soli je prázdny - kontrolka na podlahe
3. Zostávajúci čas na dlážke - ukazovateľ času, ktorý zostáva do konca cyklu

PRVÉ POUŽITIE

PONUKA NASTAVENÍ

1. Zapnite spotrebič stlačením tlačidla ZAP./VYP.
2. Na 3 sekundy podržte tlačidlo Nastavenia (Extra Sušenie), až kým sa neozve pípnutie a na displeji sa zobrazí „SET“.
3. Po jednej sekunde sa zobrazí prvé dostupné nastavenie (písmeno „h“).
4. Stlačením Automatických programov /Extra možnosti prechádzate zoznamom dostupných nastavení (pozri tabuľku ďalej), potom stlačte ŠTART/Pauza pre zobrazenie a zmenu hodnoty aktuálne zvoleného nastavenia.
5. Stlačením Automatických programov /Extra možnosti zmeníte hodnotu, potom stlačte ŠTART/Pauza pre uloženie novej hodnoty.
6. Pre zmenu ďalšieho nastavenia zopakujte body 2 a 5.
7. Stlačte ZAP./VYP. alebo počkajte 30 sekúnd, ak chcete ponuku zatvoriť.

PÍSMENO	NASTAVENIE	HODNOTY (Štandardné - tučným písmom)
h	Úroveň tvrdosti vody (pozri NASTAVENIE TVRDOSTI VODY a TABUĽKA TVRDOSTI VODY)	1 2 3 4 5
f	Úroveň leštidla (pozri NASTAVENIE DÁVKOVANIA LEŠTIDLA)	0 1 2 3 4 5
1	NaturalDry (pozri MOŽNOSTI A FUNKCIE) „1“ = Zap., „0“ = Vyp.	1 0
2	Čas na Podlahe (pozri MOŽNOSTI A FUNKCIE) „1“ = Zap., „0“ = Vyp.	1 0
3	Zvuk „1“ = Zap., „0“ = Vyp.	1 0
4	Nastavenie z výroby Stlačením tlačidla ŠTART/Pauza obnovíte nas- tavenie z výroby všetkých hodnôt nastavení zahrnutých v ponuke nastavení	-

PLNENIE ZÁSOBNÍKA SOLI

Používanie soli zabraňuje tvorbe vodného kameňa na riadoch a funkčných komponentoch umývačky. Zásobník soli sa nachádza v spodnej časti umývačky (pod spodným košom na ľavej strane).

- Je nevyhnutné, aby zásobník soli nebol nikdy prázdny.
- Je dôležité nastaviť tvrdosť vody.
- Soli treba doplniť, keď na ovládacom paneli svieti kontrolka DOPLNIŤ SOLI.



1. Vyberte spodný koš a odskrutkujte uzáver zásobníka (proti smeru hodinových ručičiek).
2. Nasadte násytku (pozri obrázok) a naplňte zásobník až po okraj (približne 0,5 kg); je bežné, že trochu vody vytečie.
3. **Vykonáva sa len prvýkrát: zásobník soli naplňte vodou.**
4. Vyberte násytku a zvyšky soli na otvore utrite.

Dbajte, aby bol uzáver pevne zatiahnutý, aby sa počas umývacieho programu nedostal do zásobníka umývacieho prostriedku (mohlo by to nenapravitelne poškodiť zmäččovač vody).

Spustite program zakaždým hneď po doplnení zásobníka soli, aby ste sa vyhlí korózií.

Nastavenie tvrdosti vody

Aby mohol zmäččovač dokonale pracovať, je dôležité, aby bola tvrdosť vody nastavená podľa skutočnej tvrdosti vody vo vašej domácnosti. Túto informáciu môžete získať od miestneho dodávateľa vody. Z výroby je nastavená priemerná tvrdosť vody „3“. Pozri „TABUĽKA TVRDOSTI VODY“.

Ak ho chcete zmeniť, postupujte podľa pokynov v časti "PONUKA NASTAVENÍ".

Tabuľka tvrdosti vody

Úroveň	°dH Nemecké stupne	°fH Francúzske stupne	°Clark Anglické stupne
1 (mäkká)	0 - 6	0 - 10	0 - 7
2 (stredná)	7 - 11	11 - 20	8 - 14
3 (priemerná)	12 - 16	21 - 29	15 - 20
4 (tvrdá)	17 - 34	30 - 60	21 - 42
5 (veľmi tvrdá)	35 - 50	61 - 90	43 - 62

Používajte iba sol' určenú špeciálne do umývačiek.

Keď do umývačky nasypete sol', kontrolka DOPLNIŤ SOLI zhasne. Ak zásobník soli nenaplníte, zmäččovač vody a ohrievacie teleso sa môžu poškodiť v dôsledku hromadenia vodného kameňa. Použitie soli sa odporúča s akýmkoľvek typom umývacieho prostriedku do umývačky riadu.

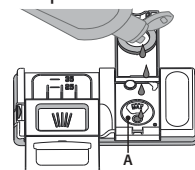
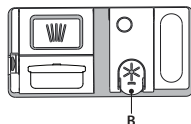
SYSTÉM NA ZMÄČČOVANIE VODY

Zmäččovač vody automaticky znižuje tvrdosť vody, čím zároveň zabraňuje tvorbe vodného kameňa v ohrievачi a prispieva k vyššej efektívnosti umývania. Tento systém sa automaticky regeneruje pomocou soli, a preto je nutné pravidelne dopĺňať zásobník soli, keď bude prázdny. Interval vykonávania regenerácie závisia od nastavenia tvrdosti vody – regenerácia sa vykonáva raz za 4-6 Eco cyklov, ak je tvrdosť vody nastavená na 3. Proces regenerácie prebieha na začiatku cyklu s pridaním čerstvej vody.

- Pri regenerácii sa spotrebuje: približne 3 litre vody;
- Pridá k cyklu dodatočných 5 minút;
- Spotrebuje sa pri nej 0,005 kWh energie.

PLNENIE DÁVKOVAČA LEŠTIDLA

Leštadlo uľahčuje SUŠENIE riadu. Dávka leštiaceho prostriedku A treba naplniť, keď na ovládacom paneli svieti kontrolka DOPLNIŤ LEŠTIDLO.



1. Otvorte dávkovač B stlačením a zdvihnutím držiaka na veku.
2. Opatrne nalejte leštadlo až po značku maximum (110 ml) v plniacom priestore – dbajte, aby ste ho nerozliali. Ak sa to stane, leštadlo ihneď utrite suchou handričkou.

3. Zatlačte veko, až počujete cvaknutie. **NIKDY nelejte leštadlo priamo do vaničky umývačky.**

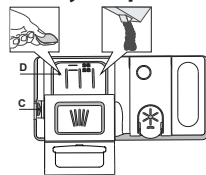
Nastavenie dávkovania leštidla

Ak nie ste celkom spokojní s výsledkom sušenia, môžete nastaviť množstvo použitého leštidla.

- Ak ho chcete zmeniť, postupujte podľa pokynov v časti "PONUKA NASTAVENÍ".
- Ak je úroveň leštidla nastavená na NULA, nepridáva sa nijaké množstvo leštidla. Kontrolka **MÁLO LEŠTIDLA** sa nerozsvieti, ani keď sa leštidlo minie.
- V závislosti od modelu umývačky možno nastaviť maximálne 6 úrovní.
- Ak vidíte na riade modrasté pásky, nastavte nízku hodnotu (0-3).
- Ak sú na riade kvapky vody alebo stopy po vodnom kameni, nastavte vysokú hodnotu (4-5).

PLNENIE DÁVKOVAČA UMÝVACIEHO PROSTRIEDKU

Dávkovač umývacieho prostriedku otvorte pomocou otváracieho zariadenia C. Umývací prostriedok dávajte iba do suchého dávkovača D. Umývací prostriedok na predumývanie dajte priamo do vaničky.



- Pri odmeriavaní umývacieho prostriedku sa riadte uvedenými informáciami, aby ste pridali správne množstvo. Vnútri dávkovača D sa nachádzajú značky, ktoré pomôžu pri dávkovaní umývacieho prostriedku.
- Odstráňte zvyšky umývacieho prostriedku z okrajov dávkovača a až potom veko zatvorte, až sa ozve cvaknutie.
- Zatvorte veko dávkovača umývacieho prostriedku jeho nadvihnutím, až uzatváracie zariadenie zapadne na miesto.

Dávkovač umývacieho prostriedku sa automaticky otvorí v správnom čase podľa programu.

Ak používate čistiaci prostriedok, ktorý nie je určený na umývačky, môžete tým spôsobiť poruchu alebo poškodenie spotrebiča.

KAŽDODENNÉ POUŽÍVANIE

1. SKONTROLUJTE PRIPOJENIE K VODOVODU

Skontrolujte, či je spotrebič pripojený k vodovodnej sieti a či je otvorený vodovodný ventil.

2. ZAPNITE UMÝVAČKU

Otvorte dvierka a stlačte tlačidlo ZAP./VYP.

3. ULOŽTE RIAD DO KOŠOV (pozri UKLADANIE RIADU DO KOŠOV)

4. PLNENIE DÁVKOVAČA UMÝVACIEHO PROSTRIEDKU

5. ZVOĽTE PROGRAM A UPRAVTE SI CYKLUS PODĽA ŽELANIA

Vyberte najvhodnejší program podľa typu nádob a stupňa zašpinenia (pozri OPIS PROGRAMOV) stlačením zvoleného tlačidla PROGRAM. Zvoľte požadované možnosti (pozri MOŽNOSTI A FUNKCIE). Nie všetky možnosti sú kompatibilné so všetkými programami.

6. ŠTART

Cyklus umývania spustíte stlačením tlačidla ŠTART/Pauza (rozsvieti sa LED) a zatvorením dvierok do 4 sekúnd. Keď sa program spustí, ozve sa jedno zapípanie. Ak dvierka nezatvoríte do 4 sekúnd, ozve sa výstražný signál. V takomto prípade dvierka neotvárajte, stlačte tlačidlo ŠTART/Pauza a znova zatvorte dvierka do 4 sekúnd.

7. UKONČENIE CYKLU UMÝVANIA

Koniec cyklu umývania oznámi zvuková signalizácia a na displeji sa zobrazí END (KONIEC). Otvorte dvierka a vypnite spotrebič stlačením tlačidla ZAP./VYP.

Niekoľko minút počkajte, aby ste sa nepopáli, a potom nádoby vyberte. Vyložte riad z košov, začnite od spodného.

ÚPRAVA BEŽIACEHO PROGRAMU

Ak ste zvolili nesprávny program, je možné ho zmeniť za podmienky, že sa iba začal. **RESET** spotrebiča: stlačte a podržte tlačidlo ZAP./VYP. dlhšie ako 3 sekundy a spotrebič sa vypne. **Na prístrojovej doske sa zobrazí „0:01“.** Zatvorte dvierka a počkajte, kým sa skončí cyklus odčerpania (cca 1 minúta). Otvorte dvierka a znova spotrebič zapnite pomocou tlačidla ZAP./VYP. a zvoľte požadovanú možnosť. Spustíte cyklus stlačením tlačidla ŠTART/Pauza a zatvorením dvierok do 4 sekúnd.

PRIDANIE RIADU NAVYŠE

Bez vypnutia spotrebiča najprv pootvorte dvierka, aby voda nevyšlechla (LED kontrolka ŠTART/Pauza začne blikať) (**Pozor! Horúca para!**) a vložte riad do umývačky. Stlačte tlačidlo ŠTART/Pauza a zatvorte dvierka do 4 sekúnd, cyklus bude pokračovať od bodu, kde bol prerušený.

NÁHODNÉ PRERUŠENIA

Ak sa dvierka otvoria počas umývacieho cyklu, alebo v prípade výpadku prúdu, cyklus sa zastaví. Zatvorte dvierka a **IBA AK STLAČÍTE** tlačidlo ŠTART/Pauza a zatvoríte dvierka do 4 sekúnd, cyklus bude pokračovať od bodu, kde bol prerušený.

RADY A TIPY

TIPY

Pred naložením riadu do košov odstráňte všetky zvyšky jedla z nádob a vyprázdňte poháre. **Riad nemusíte vopred oplachovať pod tečúcou vodou.**

Uložte nádoby tak, aby sedeli pevne na mieste a neprevrátili sa; a uložte ich tak, aby boli otvorené nadol, a vypuklé časti, aby boli naklonené a voda sa tak mohla voľne dostať ku všetkým povrchom.

Pozor: veká, rúčky, podnosy a panvice na vysmazanie nesmú brániť otáčaniu ostrekovacích ramien.

Drobné veci ukladajte do košíka na príbor. Veľmi špinavý riad a hrnce treba ukladať do spodného koša, lebo v tejto časti sú prúdy vody silnejšie a zvyšujú umývací výkon. Po naplnení spotrebiča sa presvedčte, či sa ostrekovacie ramená môžu voľne otáčať.

NEVHODNÉ PREDMETY

- Drevené nádoby a príbor.
- Krehké zdobené poháre, umelecký ručne maľovaný a starožitný porcelán. Ich zdobenie nie je odolné.
- Časti z plastu, ktoré nie sú odolné voči vysokým teplotám.
- Medené a cínové nádoby.
- Riad zašpinený od popola, vosku, mazadiel alebo atramentu.
- Farby ozdôb na skle a hliníkové/strieborné kusy sa môžu počas umývania meniť a vyblednúť. Niektoré typy skla (napr. krištáľové predmety) môžu po niekoľkých umytiach zmatnieť.

POŠKODENIE SKLA A PORCELÁNU

- Používajte iba sklo a porcelán, pri ktorých výrobca zaručuje, že ich možno bezpečne umývať v umývačke.
- Používajte jemný umývací prostriedok vhodný na porcelán
- Vytiahnite poháre a príbor z umývačky hneď po skončení umývacieho cyklu.

TIPY NA ÚSPORU ENERGIE

- Keď používate umývačku riadu do domácnosti v súlade s pokynmi výrobcu, **pri umývaní kuchynského riadu v umývačke sa spravidla spotrebuje MENEJ ENERGIE a vody ako pri ručnom umývaní riadu.**
- Na dosiahnutie maximálnej efektivity umývačky riadu sa odporúča **spustiť cyklus umývania až potom, čo bude kompletne naplnená.** Ak naložíte umývačku riadu až do kapacity uvedenej výrobcom, prispějete tým k úspore energie a vody. Informácie o správnom nakladaní riadu nájdete v kapitole s názvom NAKLADANIE KOŠOV. V prípade čiastočného naplnenia sa odporúča používať špecializované možnosti umývania (Polovičná náplň/Zónové umývanie/Multizónové umývanie), ak sú k dispozícii, a naplniť iba konkrétne koše. Pri nesprávnom alebo nadmernom naplnení sa môže zvýšiť spotreba umývačky (či už ide o spotrebu vody, energie, času alebo väčšiu mieru hluku), čo povedie k zníženiu výkonu pri umývaní a sušení.
- Manuálne predbežné oplachovanie kuchynského riadu má za následok zvýšenú spotrebu vody a energie, a preto sa neodporúča.

HYGIENA

Aby ste sa vyhli zápachu a usadeninám, ktoré sa môžu nahromadiť v umývačke, **aspoň raz do mesiaca spustíte program s vysokou teplotou.** Do prázdnej umývačky dajte čajovú lyžičku umývacieho prostriedku a pusťte ju naprázdno, aby sa vyčistila.

ODOLNOSŤ VOČI MRAZU

Ak je spotrebič umiestnený v prostredí s rizikom mrazu, **je potrebné z neho úplne vypustiť vodu.** Uzavrte vodovodný kohútik, odstráňte prívodnú a odtokovú hadicu a nechajte vodu vytečť. **Presvedčte sa, že zmäčkováč vody je plný rozpustenej regeneračnej soli v zásobníku soli,** aby bol spotrebič chránený pred teplotami až do -20°C.

Ak bol spotrebič uskladnený v podmienkach, kde mrzlo, musí pred prvým spustením **aspoň 24 hodín** stáť pri okolitej teplote minimálne 5°C.

TABUĽKA PROGRAMOV

Program	Opis programov	Fáza sušenia	NaturalDry	Dostupné možnosti *)	Trvanie umývacieho programu (h:min)**	Spotreba vody (litre/cyklus)	Spotreba energie (kWh/cyklus)
Eco	Eco 50° - Program Eco je vhodný na umývanie bežne zašpíneneho kuchynského riadu, preto ide o najefektívnejší program na tento účel z hľadiska spotreby energie a vody, ktorý sa používa na stanovenie súladu s legislatívou Ecodesign v rámci EÚ.	✓	✓		3:30	9,5	0,76
	Rýchly 45° - Program, ktorý sa odporúča pre obmedzené množstvo trochu znečisteného riadu bez zasúšených zvyškov jedla. Neobsahuje fázu sušenia.	-	✓		0:30 - 0:40	10,0 - 12,0	0,55 - 0,65
	Krištáľové 45° - Program na krehké kusy riadu, ktoré sú citlivejšie na vysoké teploty, napríklad poháre a šálky.	✓	✓		1:40 - 1:50	12,5 - 16,5	0,95 - 1,20
	Auto Intenzívny 65° - Automatický program na silne znečistený riad a panvice.	✓	✓		2:25 - 3:10	15,5 - 24,5	1,30 - 1,70
	Auto Zmiešaný 55° - Automatický program na normálne znečistený riad so zasúšenými zvyškami jedla.	✓	✓		1:20 - 3:00	7,5 - 19,5	0,75 - 1,20
	Auto Rýchly 50° - Automatický program na normálne a trochu znečistený riad. Každodenný cyklus, ktorý zabezpečuje optimálny výsledok umývania a sušenia v kratšom čase.	✓	✓		1:00 - 1:50	7,5 - 15,5	0,70 - 1,10
	Predumývanie - Na odmočenie riadu, ktorý sa bude umývať neskôr. Pri tomto programe sa nepoužíva umývací prostriedok.	-	✓		0:12	4,5	0,10
	Autočistenie 65° - Program určený na údržbu umývačky sa musí spúšťať iba v PRÁZDNEJ umývačke s použitím špeciálnych prostriedkov určených na údržbu umývačky.	-	-		1:15	11,0	1,10

Údaje z programu EKO sú namerané v laboratórnych podmienkach podľa európskej normy EN 60436:2020.

Poznámka pre Skúšobné laboratóriá: O informácie o podmienkach vykonania komparatívnej skúšky EN môžete požiadať na adrese: dw_test_support@whirlpool.com

Príprava riadu pred umývaním nie je potrebná pri nijakom programe.

*) Nie všetky možnosti možno použiť súčasne s inými.

**) Hodnoty uvedené pri iných programoch ako Eko sú iba orientačné. Skutočný čas sa môže líšiť v závislosti od mnohých faktorov, ako sú teplota a tlak privádzanej vody, teplota vmiestnosti, množstvo umývacieho prostriedku, množstvo a typ vloženého riadu, jeho rozloženie, ďalšie zvolené možnosti akalibrácia senzoru. Kalibrácia senzoru môže predĺžiť trvanie programu až o 20 minút.

MOŽNOSTI A FUNKCIE

MOŽNOSTI možno zvoliť/zrušiť po zvolení programu priamo stlačením príslušného tlačidla (ak sú dostupné, rozsvieti sa kontrolka) (pozri OVLÁDACÍ PANEL). Ak možnosť nie je kompatibilná so zvoleným programom (pozri TABUĽKU PROGRAMOV), 3 razy rýchlo zabliká príslušná LED kontrolka a ozve sa pípanie. Možnosť sa neaktivuje. Voliteľnou možnosťou možno zmeniť čas alebo spotrebu vody alebo energie pre program.

1/2 POLOVIČNÁ NÁPLŇ - Ak máte na umývanie málo riadov, používa sa polovičná náplň pre úsporu vody, elektriny alebo času v závislosti od zvoleného programu. **Nezabudnite znížiť množstvo umývacieho prostriedku.**

TICHÝ - Vhodný na nočnú prevádzku spotrebiča. Túto funkciu možno použiť na zníženie hlučnosti počas fáz umývania. Predlži sa tým čas cyklu v závislosti od zvoleného základného cyklu.

HYGIENICKÉ OPLACHOVANIE - Túto funkciu môžete použiť na dezinfekciu umytého riadu. Zvýši teplotu záverečného oplachovania a pridá k zvolenému programu antibakteriálne umývanie. Ideálne na umývanie porcelánu a detských fľašiek. Dvierka umývačky musia byť počas celého programu zatvorené, aby bolo zaručené zredukovanie baktérií.

UPOZORNENIE: porcelánové šálky a taniere môžu byť na konci cyklu veľmi horúce.

POWER CLEAN® - Vďaka prídavným výkonným dýzám táto funkcia umožňuje intenzívnejšie a účinnejšie umývanie v spodnom koši, v špecifickej oblasti. Táto možnosť sa používa na umývanie hrncov a kastrolov (Pozri časť Power Clean® naplnenie).

EXTRA SUŠENIE - Vyššia teplota počas záverečného oplachovania a predĺžená fáza sušenia umožňuje lepšie sušenie. Možnosť EXTRA SUŠENIE predlži cyklus umývania.

ODLOŽENÝ ŠTART-Začiatok programu možno posunúť o 30 minút až 24 hodín.

1. Zvoľte program a akúkoľvek želanú možnosť. Opakovane stlačte tlačidlo ODKLAD, čím posuniete začiatok programu. Dá sa nastaviť čas 0:30 až 24 hodín. Po dosiahnutí nastavenia 24 hodín znova stlačte ODKLAD na vypnutie funkcie ODKLAD.

2. Stlačte tlačidlo START/Pauza (ŠTART/Pauza) a zatvorte dvierka do 4 sekúnd.

3. Po uplynutí zvoleného času kontrolka zhasne a program sa automaticky spustí.

Po spustení programu už funkciu posunutia štartu nemožno nastaviť.

ČAS NA PODLAHE - LED svetlo premietané na podlahu ukazuje čas zostávajúci do konca cyklu. Zakaždým, keď sa otvorí dvierka, svetielko zhasne. Svetlo zhasne na konci cyklu. Svetlo zhasne na konci cyklu. Jedná sa o predvolenú funkciu, ktorú môžete zmeniť v "MENU NASTAVENIA."

ODVÁPNIŤ - Upozornenie - Bolo zistené nahromadenie vodného kameňa na vnútorných komponentoch spotrebiča. Skontrolujte, či máte v **Nastaveniach Tvrdosti Vody** správnu hodnotu a v zásobníku soli **sol'** (pozri PRVÉ POUŽITIE), potom použite **odvápňovací prostriedok** (odporúča sa značka WPro) s **programom Autočistenie**. Po úspešnom odvápnení sa ikonka už nebude zobrazovať.

Ak sa vyššie uvedené činnosti nevykonajú, výkon spotrebiča sa zhorší. Upozornenie ODVÁPNIŤ začne blikať a na displeji sa zobrazí „des“. Ak sa činnosť napriek tomu nevykoná, spotrebič dovolí spustiť iba určitý počet cyklov (zobrazený pri upozornení „des“ na displeji) a potom sa **ZABLOKUJE**, aby zabránil poškodeniu komponentu, a bude k dispozícii iba program **Autočistenie**. Vykonanie odvápnenia spotrebič odblokuje. V prípade mimoriadne veľkého množstva vodného kameňa možno odvápnenie vykonať dva razy, aby bolo účinné..

NaturalDry - je konvekčný systém sušenia, ktorý automaticky otvorí dvierka počas fázy sušenia, čím zaisťujú vynimočný výsledok sušenia každý deň. Dvierka sa otvárajú pri teplote, ktorá neohrozí váš kuchynský nábytok, preto sa neotvoria, ak je zvolená možnosť HYGIENICKÉ OPLACHOVANIE. Ako doplnková ochrana pred parou bola k umývačke priložená špeciálne navrhnutá ochranná fólia.

Spôsob montáže ochrannej fólie nájdete v NÁVODE NA INŠTALÁCIU. Táto funkcia je aktivovaná štandardne, ale je možné ju deaktivovať v ponuke PONUKÁ NASTAVENÍ.

SNÍMANIE - Keď senzor zisťuje úroveň znečistenia, na displeji sa zobrazí animácia (asi 20 minút) a trvanie cyklu sa aktualizuje. Snímanie je pre úroveň znečistenia riadu a je pri všetkých cykloch (okrem Eko) a príslušne upraví programa.

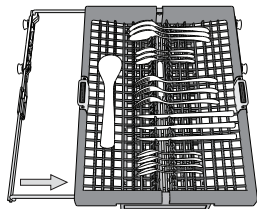
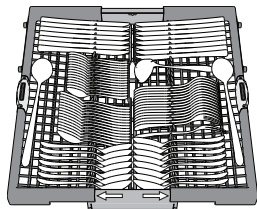
ZATVORENÝ VODOVODNÝ VENTIL - Upozornenie - Bliká v prípade žiadneho prítoku vody alebo zatvoreného vodovodného ventilu.

KOŠÍK NA PRÍBOR

Tretí košík je určený na ukladanie príboru. Príbor uložte, ako je uvedené na obrázku. Vďaka oddelenému uloženiu sa príbor po umytí ľahšie vyberá a dosiahne sa lepší výsledok umývania a sušenia.

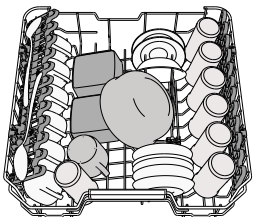
Nože a ostatné kuchynské náčinie s ostrými okrajmi treba uložiť čepelami nadol.

Košík na príbor je vybavený dvoma zasúvacími bočnými priehradkami, aby sa čo najviac využila výška spodného priestoru a dali sa uložiť vysoké veci do horného koša.

**VRCHNÝ KOŠ**

Ukladajte doň krehké a ľahké nádoby: poháre, šálky, tanieriky, nízke šalátové misy. Vrchný koš má oporu proti prevráteniu, ktorú možno použiť vo vertikálnej polohe pri ukladaní podšálok a dezertných tanierikov alebo v spodnej polohe na ukladanie misiek a nádob na jedlo.

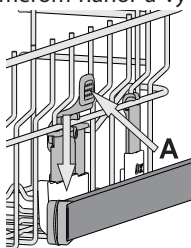
(príklad naplnenia vrchného koša)

**Nastavenie výšky vrchného koša**

Výška vrchného koša je nastaviteľná: vysoká poloha umožňuje uložiť do spodného koša objemný riad a nízka poloha umožňuje čo najlepšie využiť opory proti prevráteniu vytvorením väčšieho miesta smerom nahor a vyhnúť sa tomu, aby riad narážal o veci v spodnom koši. Vrchný koš je vybavený **nastavovačom výšky vrchného koša** (pozri obrázok), bez stláčania páčok ho jednoducho nadvihnete uchopením bočnic koša, len čo je koš v stabilnej hornej polohe.

Na vrátenie do spodnej polohy stlačte páčky **A** na bočkoch koša a posuňte koš nadol.

V žiadnom prípade neodporúčame nastavovať výšku koša, keď je plný. NIKDY nezdvíhajte ani nespúšťajte koš iba na jednej strane.

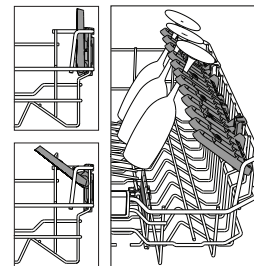
**Sklápacie klapky s nastaviteľnou polohou**

Bočné sklápacie opierky je možné sklopiť alebo vyklápať, aby bolo možné optimalizovať usporiadanie riadu v zásuvke.

Vínové poháre možno bezpečne uložiť do sklápacích opierok vložením stopky pohára do príslušnej štrbiny.

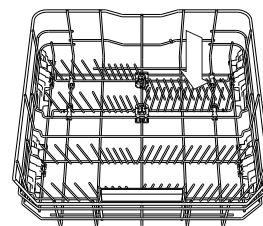
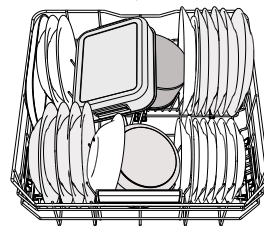
V závislosti od modelu:

- pri vyklápaní opierku posuňte hore a otočte ju alebo ju uvoľnite zo západiek a potiahnite ju dole.
- pri sklápaní opierku otočte a zasuňte ju dole alebo ju vytiahnite hore a zatlačte do západiek.

**SPODNÝ KOŠ**

Na hrnce, pokrievky, taniere, šalátové misy, príbor a pod. Veľké taniere a pokrievky by mali byť uložené po bokoch, aby na ne ostrekovacie ramena nenarážali.

Spodný koš má opory proti prevráteniu, ktoré možno použiť v zvislej polohe pri ukladaní tanierov alebo v horizontálnej polohe (nižšie) pre ľahké uloženie panvic a šalátových mís.



(príklad naplnenia spodného koša)

POWER CLEAN®

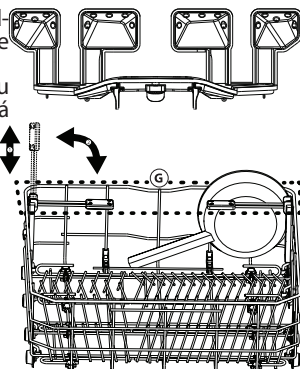
Funkcia Power Clean® využíva špeciálne vodné dýzy v zadnej časti priestoru na intenzívne umývanie veľmi špinavých nádob.

Spodný koš má oddeľovaciu zónu, špeciálnu vyťahovaciu oporu v zadnej časti koša, ktorá môže slúžiť na podopretie panvic alebo plechov na pečenie, aby boli v zvislej polohe a zabrali tak menej miesta.

Po umiestnení hrncov/kastrólov oproti komponentu Power Clean® aktivujte na ovládacom paneli **POWER CLEAN**.

Ako používať Power Clean®:

1. Upravte priestor Power Clean® (G) sklopením zadných držiakov tanierov, aby sa tam zmestili hrnce..
2. Vložte vertikálne naklonené hrnce a kastróly do oblasti Power Clean®. Hrnce musia byť naklonené smerom k vodným dýzám.

**STAROSTLIVOSŤ A ÚDRŽBA****ČISTENIE ZOSTAVY FILTRA**

Zostavu filtra pravidelne čistite, aby sa filtre neupchali a odpadová voda mohla správne odtekať.

Ak používate umývačku riadu s upchatými filtermi alebo s cudzími telesami vo filtračnom systéme či v ostrekovacích ramenách, môže to spôsobiť poruchu s následným zhoršením výkonu, nárastom hluku alebo zvýšením spotreby.

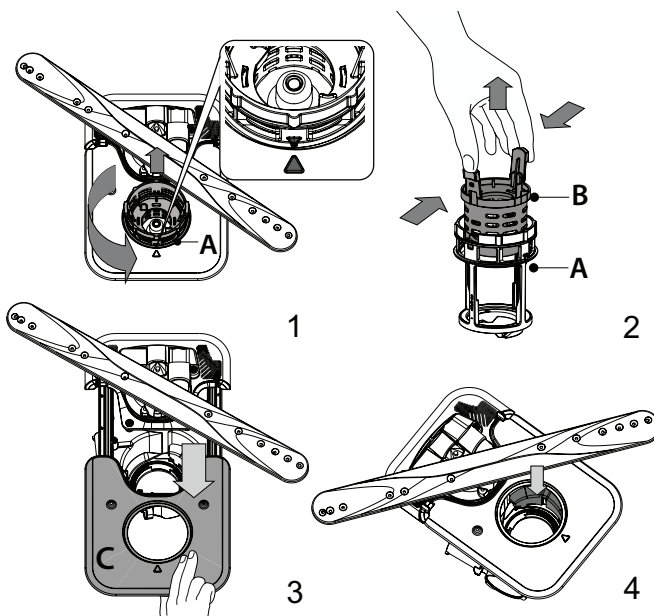
Zostava filtra pozostáva z troch filtrov, ktoré odstraňujú zvyšky jedla z umývačky a potom vodu recirkulujú.

Umývačku nesmiete používať bez filtrov, alebo ak je filter uvoľnený.

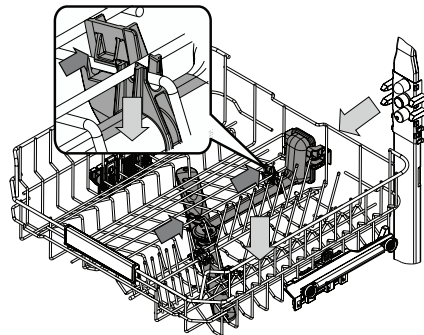
Aspoň raz mesačne alebo zakaždým po 30 cykloch skontrolujte zostavu filtra a v prípade potreby ju pomocou nekovovej kefy dôkladne vyčistite pod tečúcou vodou podľa nižšie uvedených pokynov:

1. Otočte valcovým filtrom **A** proti smeru hodinových ručičiek a vytiahnite ho (obr. 1). **Je dôležité, aby sa pri opätovnej inštalácii filtra dva trojuholníky zobrazované na zväčšení stretli.**
2. Vytiahnite vrchný filter **B** jemným zatlačením na bočné klapky (obr. 2).
3. Vyberte plechový filter z nehrdzavejúcej ocele **C** (obr. 3).
4. V prípade, že nájdete cudzie telesá (napr. úlomky skla, porcelánu, kostí, ovocné semená a pod.), **opatrne ich vyberte.**
5. Skontrolujte sífón a odstráňte zvyšky jedla. **NIKDY NEVYBERAJTE ochranu čerpadla (označené šípku) (obr. 4).**

Po vyčistení filtrov zostavu filtrov vložte na miesto a zafixujte v správnej polohe; je to dôležité pre správnu činnosť umývačky.

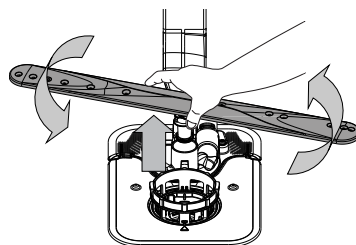


ČISTENIE OSTREKOVACÍCH RAMIEN

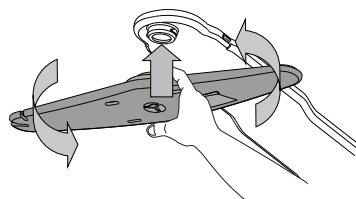


Občas sa zvyšky jedla môžu zasušiť aj na ostrekovacích ramenách a zablokovat' diery, cez ktoré strieka voda. Preto sa odporúča občas ramená kontrolovať a čistiť ich malou nekovovou kefkou.

Ak chcete odstrániť horný ostrekovač, musíte ho odstrániť spolu s prírodným potrubím.



Spodné ostrekovacie rameno možno vybrať potiahnutím nahor a otočením proti smeru hodinových ručičiek. Znovu ho namontujete potiahnutím nadol a otočením v smere hodinových ručičiek.



Horné ostrekovacie rameno možno vybrať zatlačením nahor a otočením proti smeru hodinových ručičiek. Znovu ho namontujete potiahnutím nahor a otočením v smere hodinových ručičiek.

RIEŠENIE PROBLÉMOV

Ak vaša umývačka riadnu nefunguje správne, zistite, či problém nemožno vyriešiť po konzultácii s nasledujúcim zoznamom. V prípade ďalších chýb a problémov sa obráťte na autorizovaný popredajný servis, pričom kontaktné údaje nájdete v záručnej knižke. Náhradné diely budú k dispozícii počas 7 alebo až 10 rokov podľa konkrétnych požiadaviek nariadení.

PROBLÉMY	MOŽNÉ PRÍČINY	RIEŠENIA
☒ Kontrolka soli svieti.	Zásobník soli je takmer prázdny.	Doplňte do zásobníka soľ (ďalšie informácie - pozri <i>PLNENIE ZÁSOBNÍKA SOLI</i>). V prípade potreby skontrolujte nastavenie tvrdosti vody - pozri <i>TABUĽKA TVRDOSTI VODY</i> .
☒ Kontrolka soli bliká	Zásobník soli je prázdny.	Čo najskôr doplňte do zásobníka soľ. Používanie spotrebiča bez soli môže poškodiť jeho vnútorné komponenty.
☒ Kontrolka leštidla svieti alebo bliká	Dávkovač leštidla je prázdny. (Po doplnení leštidla môže kontrolka ešte krátko svietiť).	Naplňte dávkovač leštidlom (viac informácií - pozri <i>PLNENIE DÁVKOVAČA LEŠTIDLA</i>).
☒ Kontrolka odvápnenia svieti alebo bliká; Zobrazuje sa varovanie „dES“.	Na vnútorných komponentoch spotrebiča sa hromadí vodný kameň.	Okamžite spotrebič odvápnite pomocou programu Autočistenie a komerčne dostupného odvápnovacieho prostriedku (pozri <i>MOŽNOSTI A FUNKCIE</i>). Doplňte do zásobníka soľ. Skontrolujte nastavenie tvrdosti vody. Ak spotrebič nie je odvápný, prestane pracovať.
Umývačka sa nespúšťa a nereaguje na príkazy.	Spotrebič nie je riadne pripojený do elektrickej zásuvky.	Zastrčte zástrčku do zásuvky.
	Výpadok prúdu.	Z bezpečnostných dôvodov sa po obnove prívodu elektrickej energie umývačka riadu nereštaruje automaticky. Otvorte dverka umývačky, stlačte tlačidlo ŠTART/Pauza a zatvorte dverka do 4 sekúnd.
	Dvierka umývačky nie sú zatvorené. Kolík NaturalDry nie je vtiahnutý.	Energicky dvierka zatlačte tak, aby ste počuli „cvaknutie“.
	Cyklus je prerušený otvorením dvierok na viac ako 4 sekundy.	Do 4 sekúnd zatvorte dvierka a stlačte tlačidlo ŠTART/Pauza.
Z umývačky neodtiekla voda. Zobrazenie na displeji: F7 E3 alebo F9 E1	Filter je upchatý zvyškami jedla alebo vodným kameňom.	Vyčistite filter a spotrebič odvápnite (pozri <i>ČISTENIE ZOSTAVY FILTRA</i> a <i>NÁVOD NA ODVÁPNENIE</i>).
	Zalomená odtoková hadica.	Skontrolujte odtokovú hadicu (pozri <i>NÁVOD NA INŠTALÁCIU</i>).
	Odtokové potrubie drezu je upchaté.	Vyčistite odtokové potrubie drezu.
Umývačka vydáva nadmerný hluk.	Nádoby o seba hrkocú.	Uložte nádoby správne (pozri <i>UKLADANIE RIADU DO KOŠOV</i>).
	Vzniká nadmerné množstvo pary.	Umývací prostriedok nebol dávkovaný správne alebo nie je vhodný do umývačiek (pozri <i>PLNENIE DÁVKOVAČA UMÝVACIEHO PROSTRIEDKU</i>). Reštartujte aktuálny cyklus vypnutím umývačky, potom ju znova zapnite, zvolte nový program, stlačte ŠTART/Pauza a do 4 sekúnd zatvorte dverka. Nepridávajte čistiaci prostriedok.
	Riad nebol správne uložený.	Uložte nádoby správne (pozri <i>UKLADANIE RIADU DO KOŠOV</i>).
	Filter je upchatý zvyškami jedla alebo vodným kameňom.	Vyčistite zostavu filtrov (pozri <i>STAROSTLIVOSŤ A ÚDRŽBA</i>).
Riad nie je čistý.	Riad nebol správne uložený.	Uložte nádoby správne (pozri <i>UKLADANIE RIADU DO KOŠOV</i>).
	Ostrekovacie ramená sa nemôžu voľne točiť, bránia im v tom kusy riadu.	Uložte nádoby správne (pozri <i>UKLADANIE RIADU DO KOŠOV</i>). Skontrolujte, či je horný kôš v správnej polohe a prípade potreby ho upravte (zdvihnite).
	Umývací cyklus je príliš jemný.	Vyberte príslušný umývací cyklus (pozri <i>TABUĽKU PROGRAMOV</i>).
	Vzniká nadmerné množstvo pary.	Umývací prostriedok nebol dávkovaný správne alebo nie je vhodný do umývačiek riadu (pozri <i>PLNENIE DÁVKOVAČA UMÝVACIEHO PROSTRIEDKU</i>).
	Veko priehradky na leštidlo nebolo správne uzavreté.	Presvedčte sa, či je veko dávkoča leštidla uzavreté.
	Filter je upchatý zvyškami jedla alebo vodným kameňom.	Vyčistite filter a spotrebič odvápnite (pozri <i>ČISTENIE ZOSTAVY FILTRA</i>).
	Zásobník soli je prázdny.	Naplňte zásobník soli (pozri <i>PLNENIE ZÁSOBNÍKA SOLI</i>).

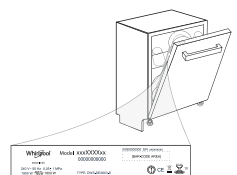
PROBLÉMY	MOŽNÉ PRÍČINY	RIEŠENIA
Umývačka sa neplní vodou. Zobrazenie na displeji: H2O a \emptyset svieti; ozýva sa zvukový alarm.	V prívide nie je voda alebo je uzavretý ventil.	Presvedčte sa, či je v prívide voda a či je kohútik otvorený.
	Prívodná hadica je ohnutá.	Skontrolujte prívodnú hadicu (<i>pozri INŠTALÁCIA</i>). Otvorte dvierka umývačky, stlačte tlačidlo ŠTART/Pauza a zatvorte dvierka do 4 sekúnd.
	Sítka v prívodnej hadici je upchaté. Je nevyhnutné ho vyčistiť.	Skontrolujte a vyčistite sítka v prívodnej hadici. Otvorte dvierka umývačky, stlačte tlačidlo ŠTART/Pauza a zatvorte dvierka do 4 sekúnd.
Umývačka predčasne ukončuje cyklus. Zobrazenie na displeji: F8 E3	Filter je upchatý zvyškami jedla alebo vodným kameňom.	Vyčistite filter a spotrebič odvápnite (<i>pozri ČISTENIE ZOSTAVY FILTRA a NÁVOD NA ODVÁPNENIE</i>).
	Odtoková hadica je umiestnená príliš nízko alebo voda odteká do domáceho odpadového systému.	Skontrolujte, či je koniec odtokovej hadice umiestnený v správnej výške (<i>pozri INŠTALÁCIA</i>). Skontrolujte odvádzanie do systému domového odpadu, v prípade potreby namontujte vypínač odtoku/ventil prívodu vzduchu.
	Vzniká nadmerné množstvo pary.	Umývací prostriedok nebol dávkovaný správne alebo nie je vhodný do umývačiek riadu (<i>pozri PLNENIE DÁVKOVAČA UMÝVACIEHO PROSTRIEDKU</i>).
	V prívide vody je vzduch.	Skontrolujte, či v prívide vody nie sú netesnosti alebo iné problémy, pre ktoré uniká vzduch dovnútra.
Riad nie je dobre vysušený.	V dávkovači nie je leštidlo alebo je dávka príliš malá.	Presvedčte sa, či je dávkovač leštidla plný (<i>pozri PLNENIE DÁVKOVAČA LEŠTIDLA</i>). Iba multifunkčné tablety nezabezpečia taký dobrý výsledok sušenia ako použitie tekutého leštidla.
	Riad bol vyložený po automatickom otvorení dvierok, ale pred skutočným ukončením cyklu.	Predtým ako začnete riad vykladať, presvedčte sa, či sa cyklus skončil (<i>pozri KAŽDODENNÉ POUŽÍVANIE</i>). Pre ešte lepší výsledok sušenia sa odporúča nechať riad v umývačke pri otvorených dvierkach ďalších 15 minút po skončení cyklu.
	Riad je uložený príliš na plocho.	Ak v šálkach, pohároch alebo miskách zbadáte kaluže vody, skúste ukladať riad (najmä v hornom koši) väčšími naklonený, aby väčšie množstvo vody pred sušením odtieklo.
	Zvolený cyklus nemá fázu sušenia.	Overte si v <i>TABULKE PROGRAMOV</i> , či má zvolený program fázu sušenia. Cyklus bez fázy sušenia nemusí dosahovať želanú účinnosť sušenia, preto sa odporúča vybrať radšej cyklus, ktorý má fázu sušenia.
	Nádoby majú úpravu proti pripáleniu alebo sú z plastu.	Je normálne, že na takomto type materiálu zostávajú nejaké kvapky vody.
Na riade a pohároch sú modré pásy alebo majú modrastý odtieň.	Dávka leštidla je priveľmi veľká.	Nastavte dávkovanie na nižšie hodnoty.
Na riadoch a pohároch sú usadeniny vodného kameňa alebo biely povlak.	Zásobník soli je prázdny.	Čo najskôr doplňte do zásobníka soľ. Používanie spotrebiča bez soli môže poškodiť jeho vnútorné komponenty.
	Je nastavená príliš nízka tvrdosť vody.	Zvýšte hodnoty tvrdosť vody (<i>pozri TABUĽKU TVRDOSTI VODY</i>).
	Uzáver zásobníka soli nie je dobre zavretý.	Skontrolujte a zatvorte záver zásobníka soli.
	Zásobník leštidla je prázdny alebo dávkovanie leštidla je nedostatočné.	Naplňte dávkovač leštidlom a skontrolujte nastavenie dávkovania (viac informácií nájdete - <i>pozri PLNENIE DÁVKOVAČA LEŠTIDLA</i>).
Umývačka riadu zobrazuje F8 E5	Ventil je zablokovaný alebo chybný.	Zatvorte ventil prívodu vody, ak je to možné. Nevypínajte napájanie. Zavolajte servis.



Firemné zásady, štandardnú dokumentáciu, objednávanie náhradných dielov a ďalšie informácie o produkte nájdete na:

- Pomocou QR kódu a na našej webovej stránke: docs.whirlpool.eu
- Na našej webovej stránke: parts-selfservice.whirlpool.com
- Prípadne **sa obráťte na náš popredajný servis** (Telefónne číslo nájdete v záručnej knižke). Pri kontaktovaní nášho popredajného servisu uveďte, prosím, kódy z výrobného štítku vášho spotrebiča.

Informácie o modele získate cez QR kód na energetickom štítku. Na štítku tiež nájdete identifikačné číslo modelu, ktoré môžete použiť na vyhľadávanie v registri na portáli <https://eprel.ec.europa.eu>.



400011655431B

05/2023 as - Xerox Fabriano

